

This Owner's Manual is provided and hosted by [Appliance Factory Parts](#).



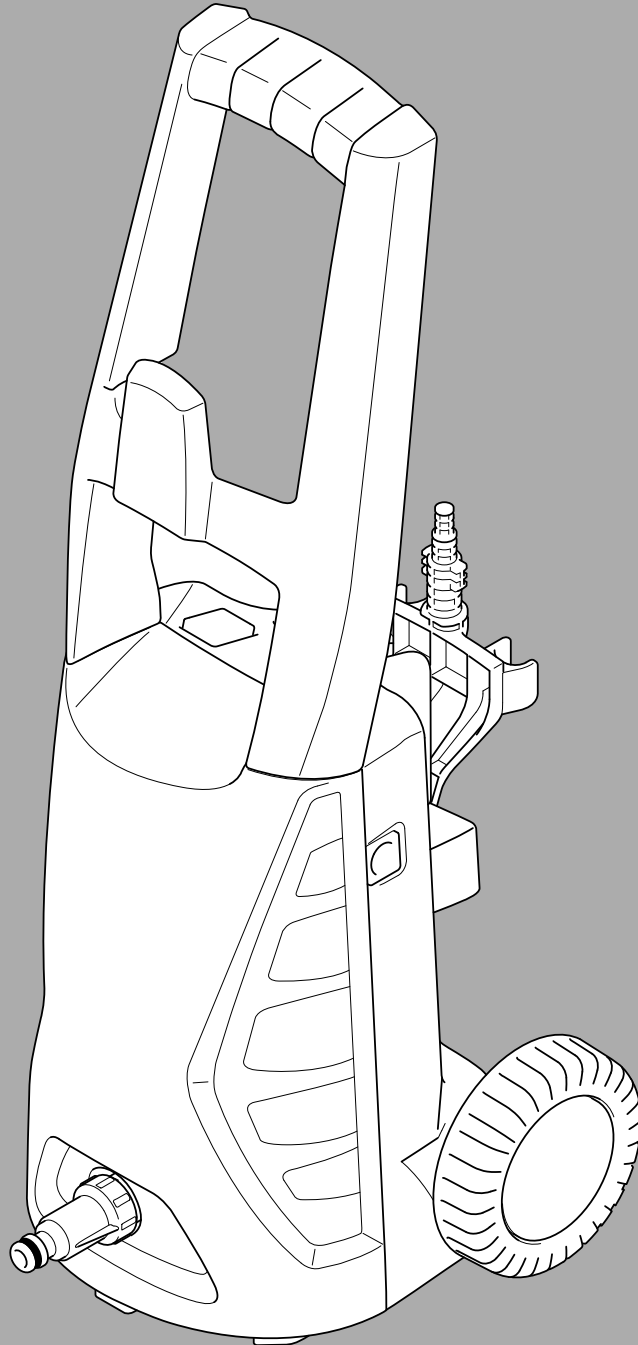
# Black & Decker PW1300TD Owner's Manual

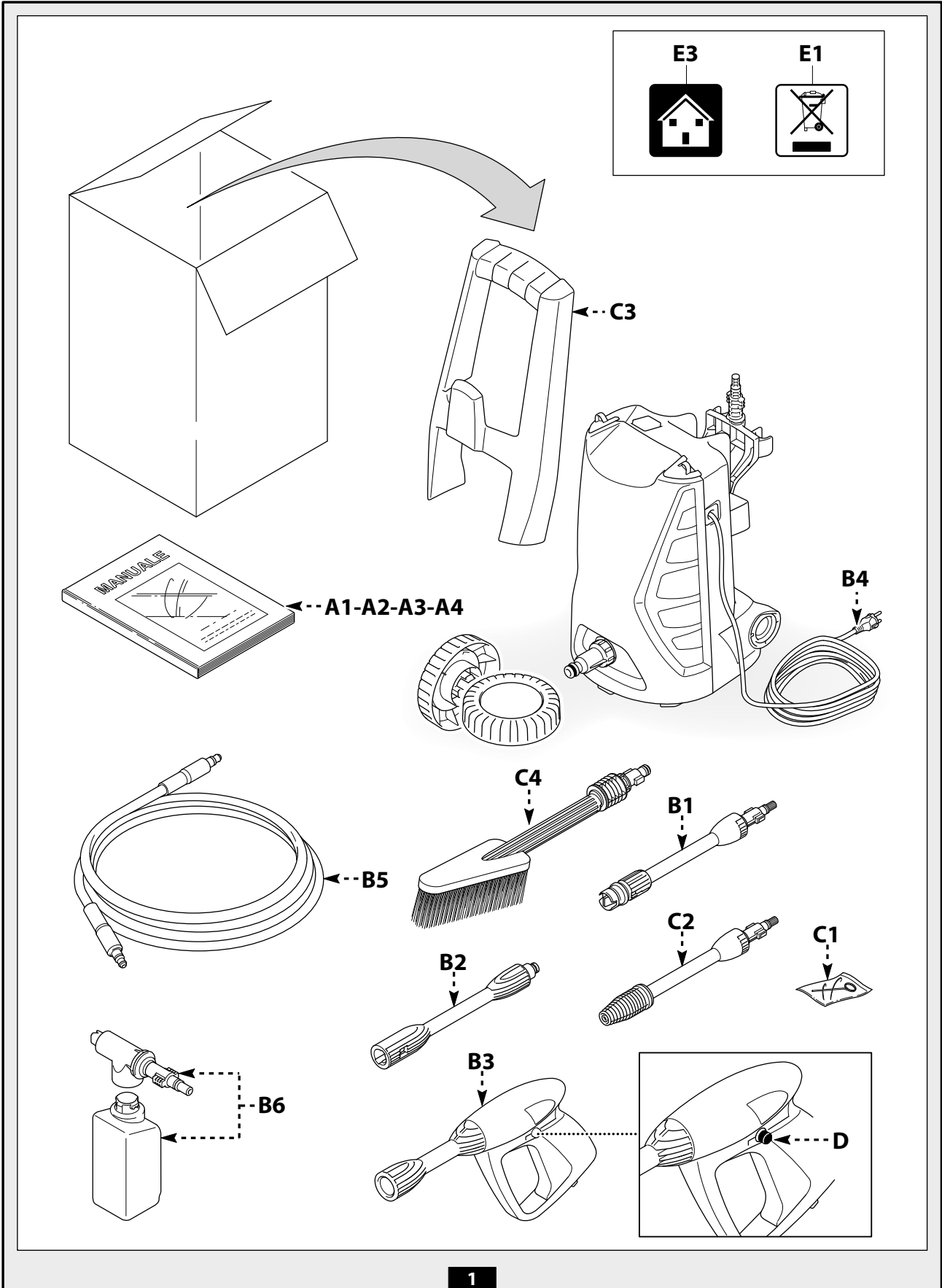
[Shop genuine replacement parts for Black & Decker  
PW1300TD](#)

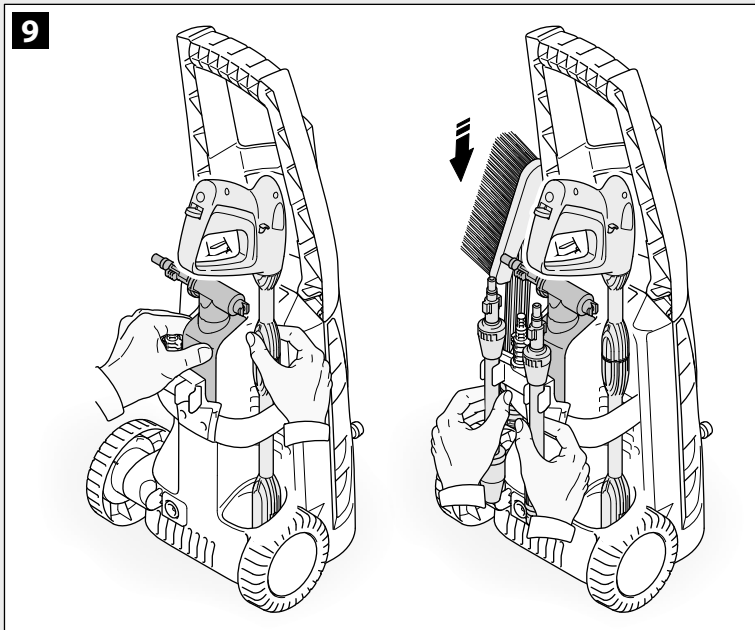
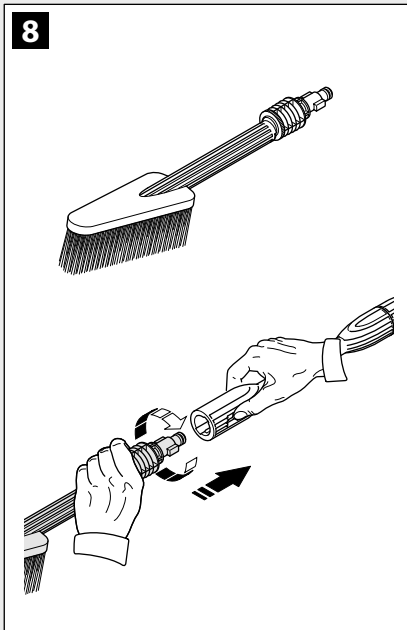
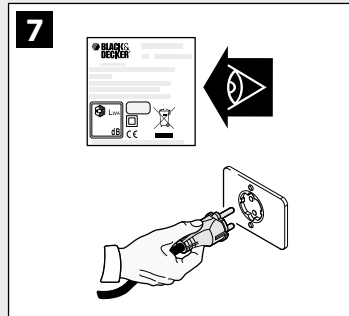
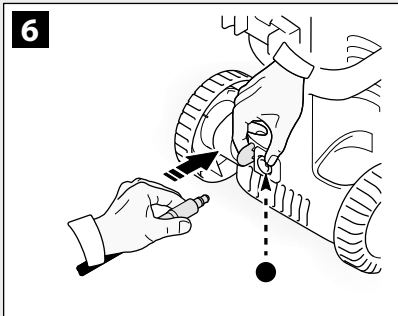
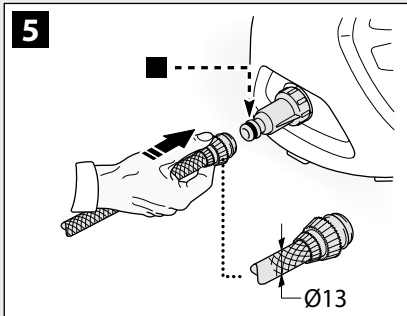
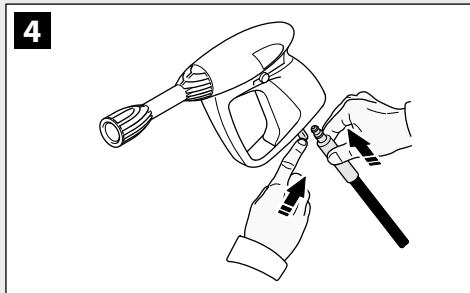
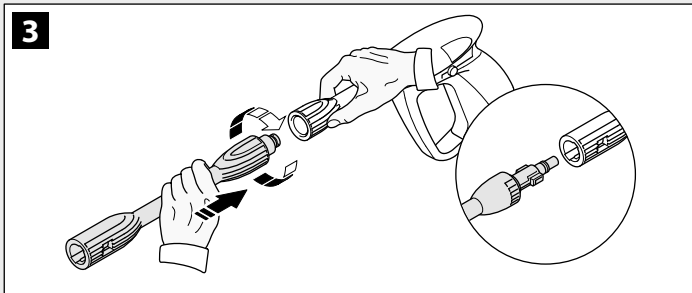
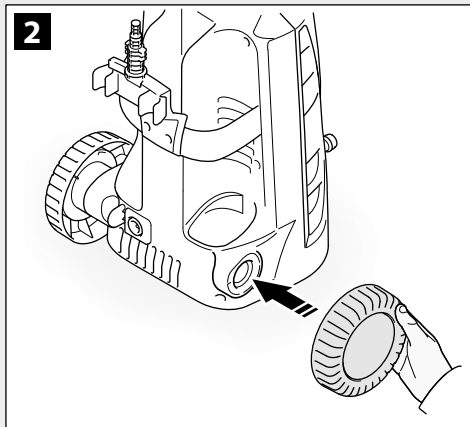
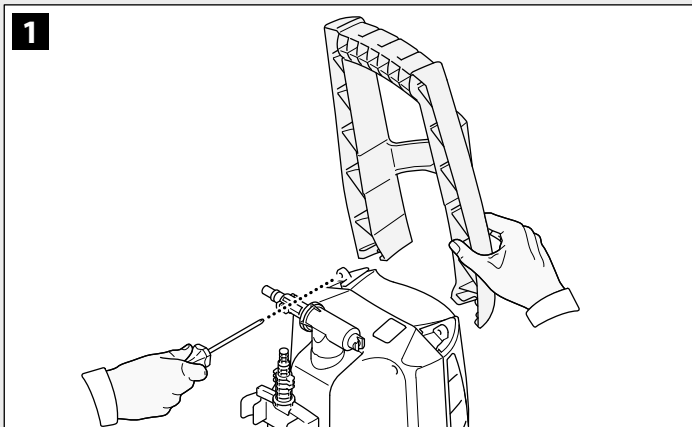


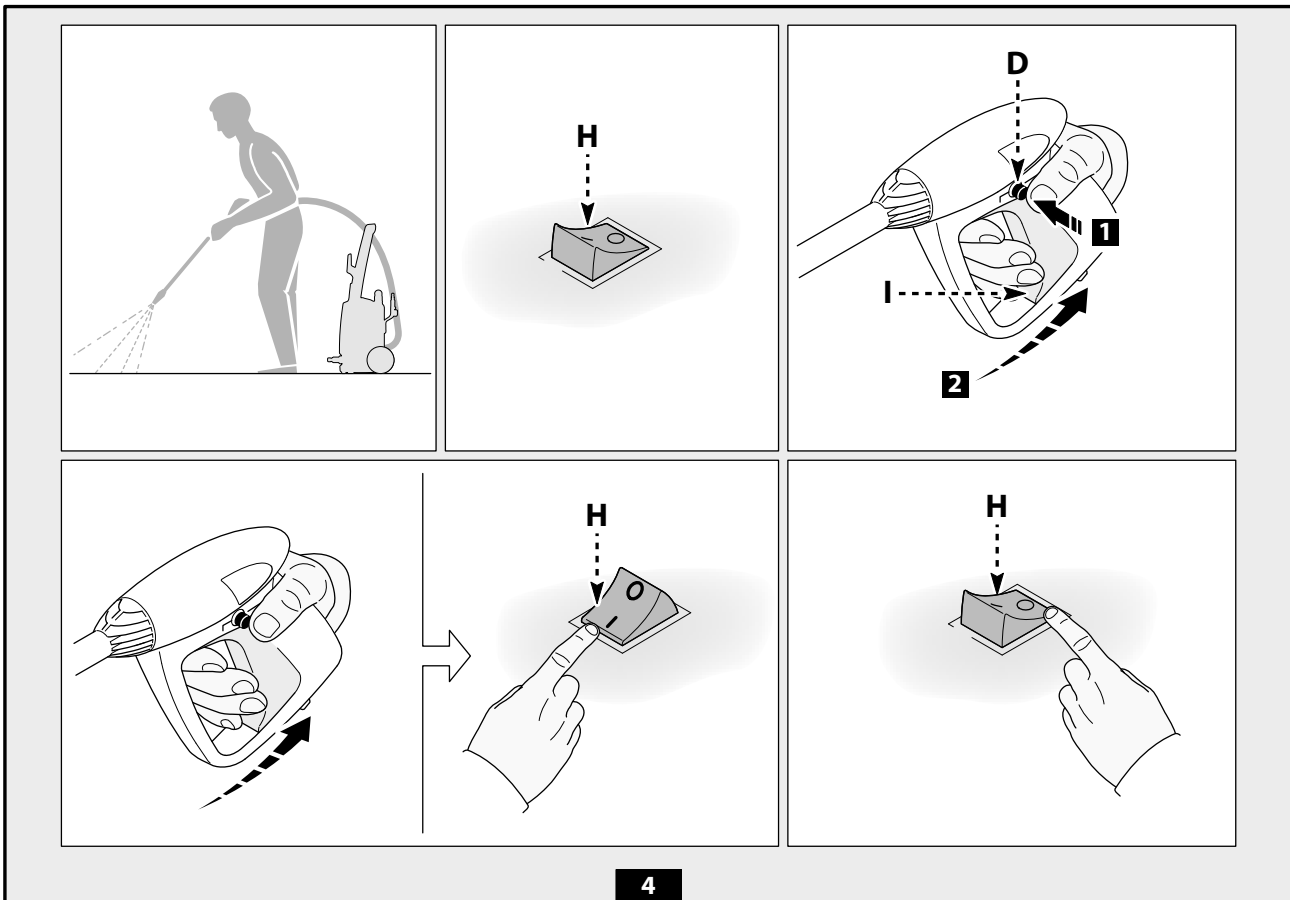
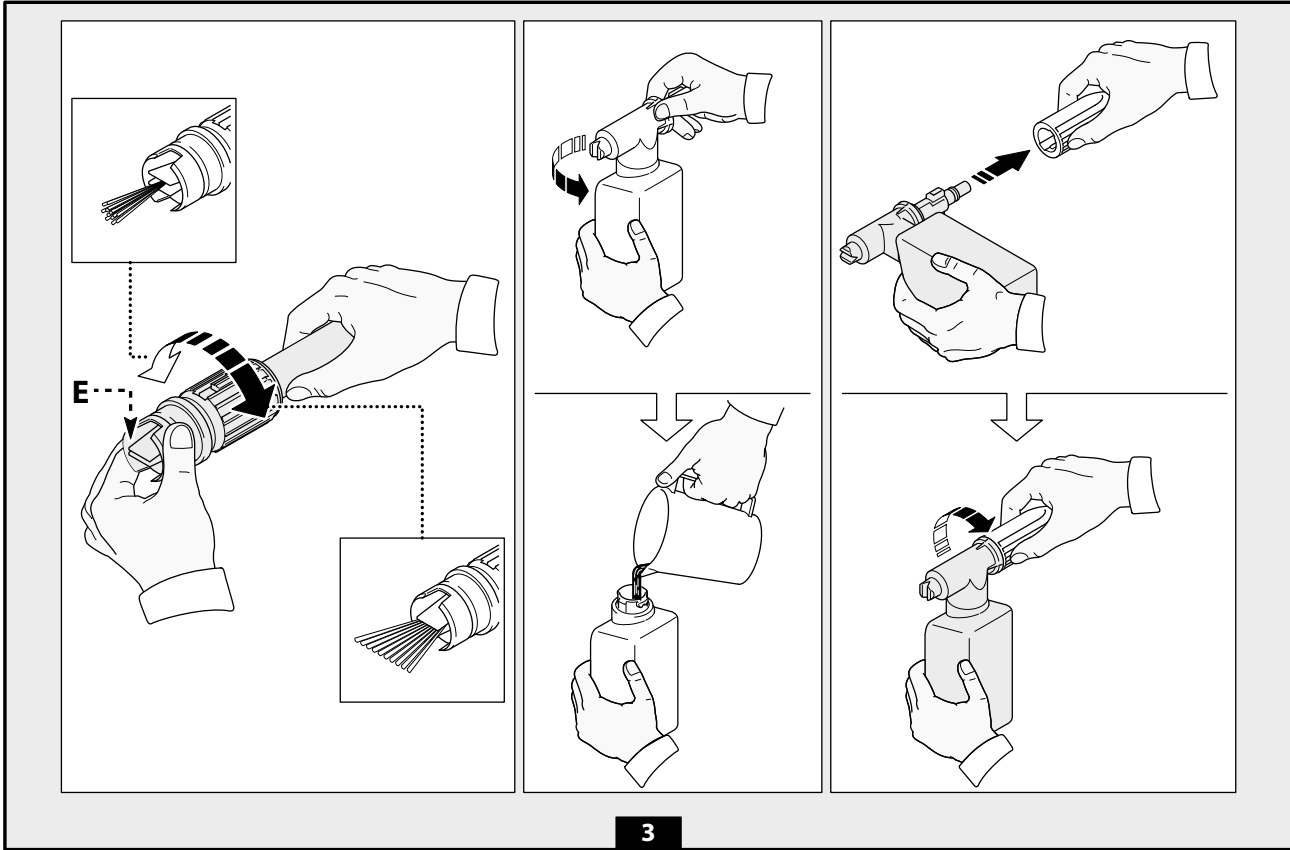
[Find Your Black & Decker Washer Parts - Select From 4 Models](#)

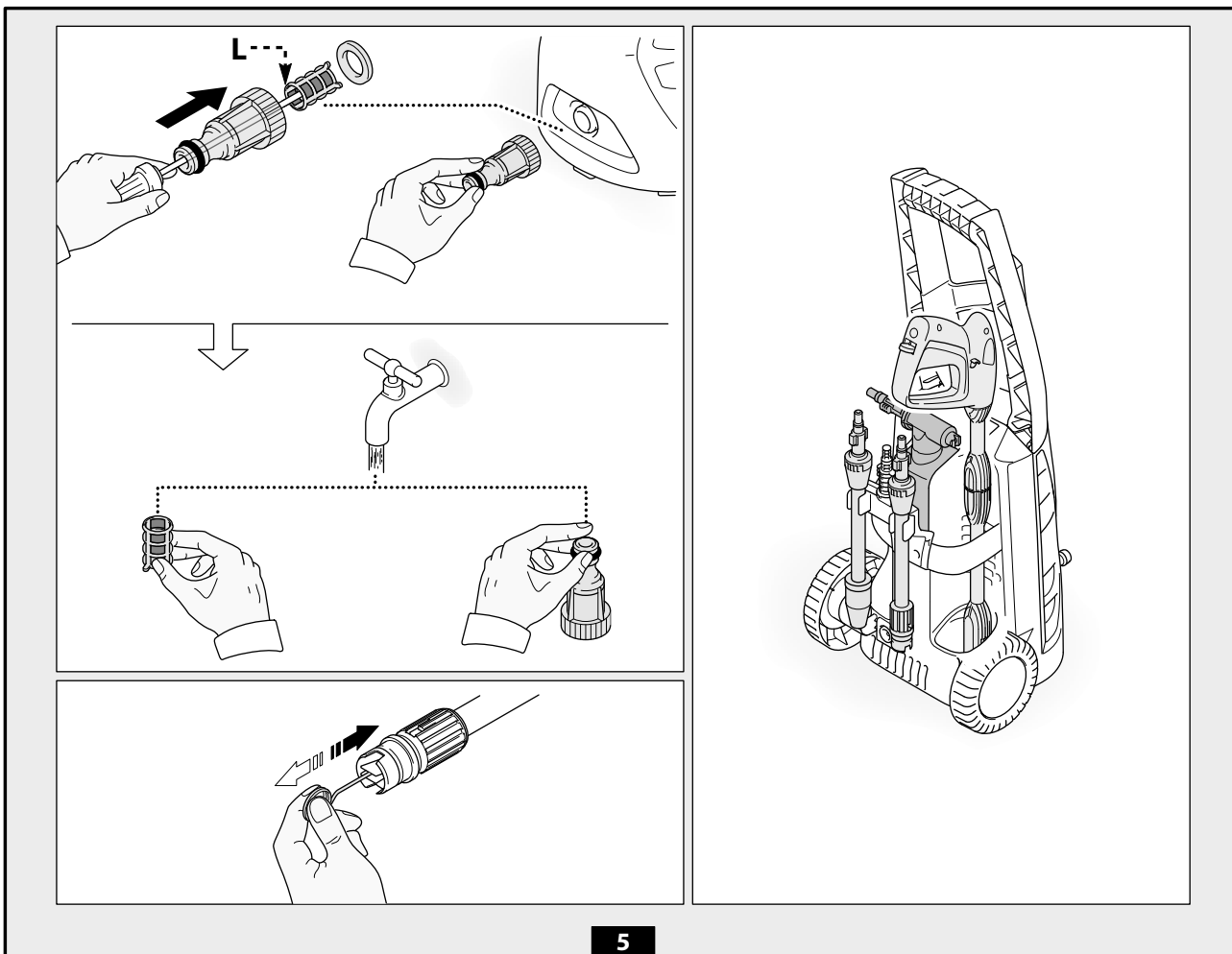
----- Manual continues below -----



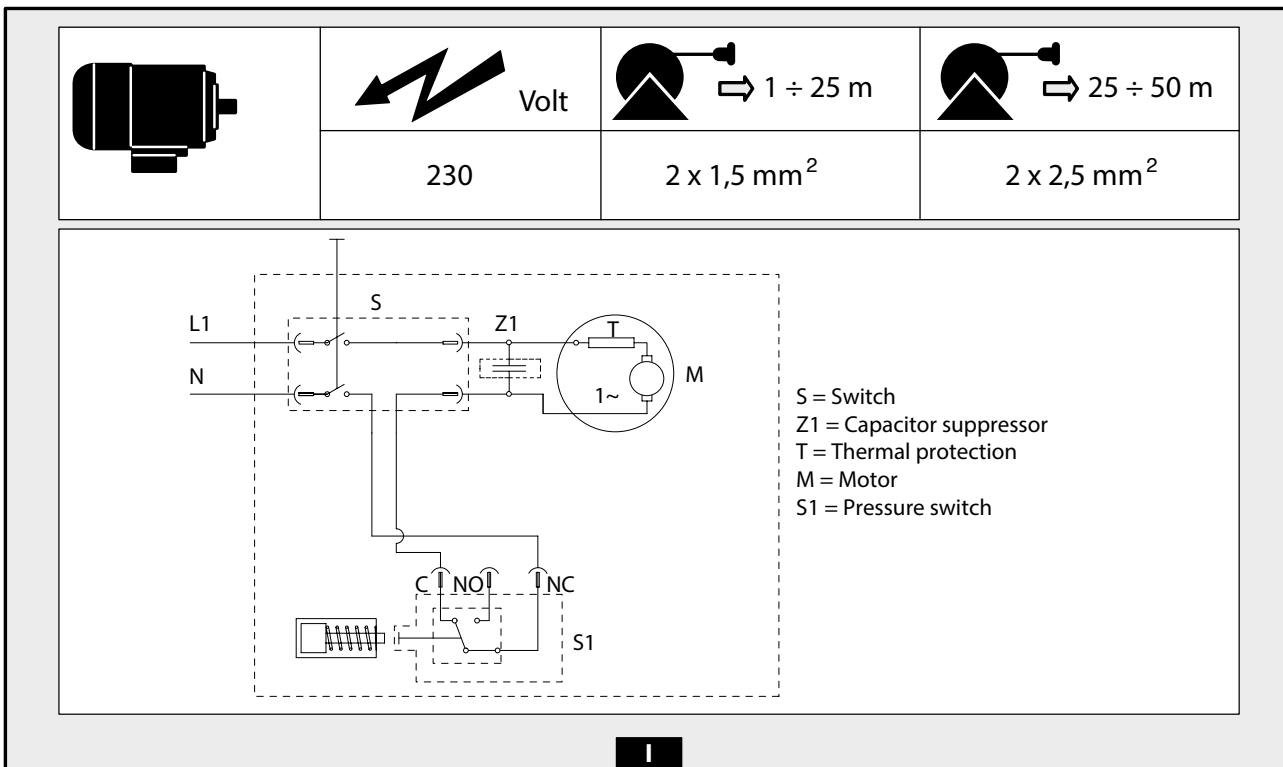








5












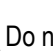











1

## Safety instructions





The appliance you have purchased is a technologically advanced product designed by one of the leading European manufacturers of high pressure pumps. To obtain the best performance from your unit, read this booklet carefully and follow the instructions each time you use it. We congratulate you on your choice and wish you successful operation.

### Safety rules/residual risks

#### Safety “must nots”












-     Do not use the appliance with inflammable or toxic liquids, or any products which are not compatible with the correct operation of the appliance. Explosion or poisoning hazard
-   Do not direct the water jet towards people or animals. Injury hazard
-   Do not direct the water jet towards the unit itself, electrical parts or towards other electrical equipment. Electric shock hazard
-   Do not use the appliance outdoors in case of rain. Short circuit hazard
-  Do not allow children or incompetent persons to use the appliance. Injury hazard
-   Do not touch the plug and/or socket with wet hands. Electric shock hazard
-   Do not use the appliance if the electrical cable is damaged. Electric shock and short circuit hazard
-   Do not use the appliance if the high pressure hose is damaged. Explosion hazard
-  Do not jam the trigger in the operating position. Accident hazard
-  Check that the data plates are affixed to the appliance, if not, inform your dealer. Units without plates must not be used as they are unidentifiable and potentially dangerous. Accident hazard
-   Do not tamper with or adjust the setting of

the safety valve or the safety devices. Explosion hazard

-  Do not alter the original diameter of the spray head nozzle. Hazardous alteration of operating performance
-  Do not leave the appliance unattended. Accident hazard
-   Do not move the appliance by pulling on the electrical cable. Short circuit hazard
- Make sure that cars do not drive over the high pressure hose.
- Do not move the appliance by pulling on the high pressure hose. Explosion hazard
- When directed towards tyres, tyre valves or other pressurised components, the high pressure jet is potentially dangerous. Do not use the rotating nozzle kit, and always keep the jet at a distance of at least 30 cm during cleaning. Explosion hazard

#### Safety “musts”

-   All electrical conductors must be protected against the water jet. Short circuit hazard
-   The appliance **MUST ONLY BE CONNECTED** to an adequate power supply in compliance with all applicable regulations. Electric shock hazard
- Use of a safety residual current circuit-breaker (R.C.C.B.) will provide additional protection for the operator (30 mA). Models supplied without plug must be installed by qualified staff. Use only authorized electrical extension leads with suitable conductor gauge.
-         
High pressure may cause parts to rebound: wear all the protective clothing and equipment needed to ensure the operator's safety. Injury hazard
-  Before doing work on the appliance, remove the plug. Accidental start-up hazard
-  Before pressing the trigger, grip the gun firmly to counteract the recoil. Injury hazard

-   Comply with the requirements of the local water supply company. According to EN 12729 (BA), the appliance may only be connected to the mains drinking water supply if a backflow preventer valve with drain facility is installed in the supply hose. Contamination hazard
-  Maintenance and/or repair of electrical components must be carried out by qualified staff. Accident hazard
-  DISCHARGE residual pressure before disconnecting the unit hose. Injury hazard
-  Before using the appliance, CHECK every time that the screws are fully tightened and that there are no broken or worn parts. Accident hazard
-     Only use detergents which will not corrode the coating materials of the high pressure hose/electrical cable. Explosion and electric shock hazard
-   Ensure that all people or animals keep a minimum distance of 16 yd. (15m) away. Injury hazard

## General information (fig.1)

### Use of the manual

This manual forms an integral part of the appliance and should be kept for future reference. Please read it carefully before installing/ using the unit. If the appliance is sold, the Seller must pass on this manual to the new owner along with the appliance.

### Delivery

The appliance is delivered partially assembled in a cardboard box. The supply package is illustrated in fig.1.

Documentation supplied with the appliance

- A1 Use and maintenance manual
- A2 Safety instructions
- A3 Declaration of conformity
- A4 Warranty regulations

### Disposing of packaging

The packaging materials are not environmental pollutants but must still be recycled or disposed of in compliance with the relevant legislation in the country of use.

## Safety signs

Comply with the instructions provided by the safety signs fitted to the appliance.

Check that they are present and legible; otherwise, fit replacements in the original positions.

E1 sign – Indicates that the appliance must not be disposed of as municipal waste; it may be handed in to the dealer on purchase of a new appliance. The appliance's electrical and electronic parts must not be reused for improper uses since they contain substances which constitute health hazards.

## Symbols



E2 symbol – Indicates that the appliance is intended for professional use, i.e. for experienced people informed about the relative technical, regulatory and legislative aspects and capable of performing the operations necessary for the use and maintenance of the appliance.



E3 symbol – Indicates that the appliance is intended for non-professional (domestic) use.

## Technical information (fig.1)

### Envisaged use

This appliance has been designed for individual use for the cleaning of vehicles, machines, boats, masonry, etc, to remove stubborn dirt using clean water and biodegradable chemical detergents. Vehicle engines may be washed only if the dirty water is disposed of as per regulations in force.

- Intake water temperature: see data plate on the appliance.
- Intake water pressure: min. 0,1MPa-max 1MPa.
- Operating ambient temperature: above 0°C.
- The appliance is compliant with the EN 60335-2-79/A1 standard.

### Operator

The symbol on the front cover identifies the appliance's intended operator (professional or non-professional).

### Improper use

- Use by unskilled persons or those who have not read and understood the instructions in the manual is forbidden.



- The introduction of inflammable, explosive and toxic liquids into the appliance is prohibited.
- Use of the appliance in a potentially inflammable or explosive atmosphere is forbidden.
- The use of non-original spare parts and any other spare parts not specifically intended for the model in question is prohibited.
- All modifications to the appliance are prohibited. Any modifications made to the appliance shall render the Declaration of Conformity null and void and relieve the manufacturer of all liability under civil and criminal law.

#### Main components

- B1 Adjustable spray nozzle
- B2 Lance
- B3 Gun with safety catch
- B4 Power supply cable with plug
- B5 High pressure hose
- B6 Detergent tank (on models with this feature)

#### Accessories (if included in the supply package – see fig.1)

- C1 Nozzle cleaning tool
- C2 Rotating nozzle kit
- C3 Handle
- C4 Brush
- C5 Hose reel

#### Safety devices



#### Caution - Danger!

Do not tamper with or adjust the safety valve setting.

- Safety valve and/or pressure limiting valve. The safety valve is also a pressure limiting valve. When the gun trigger is released, the valve opens and the water recirculates through the pump inlet or is discharged onto the ground.
- Thermostat valve (D1 where fitted). If the water temperature exceeds the temperature set by the manufacturer, the thermostat valve discharges the hot water and draws in an amount of cold water equal to the amount of water discharged, until the correct

temperature is restored.

- Safety catch (D): prevents accidental spraying of water.

#### Installation (fig.2)

##### Assembly



#### Caution - Danger!

All installation and assembly operations must be

performed with the appliance disconnected from the mains power supply.

The assembly sequence is illustrated in fig.2.

#### Assembling the rotating nozzle

(For models with this feature)

The rotating nozzle kit delivers greater washing power. Use of the rotating nozzle may cause a reduction in pressure of 25% compared to the pressure obtained with the adjustable nozzle. However, the rotating nozzle kit delivers greater washing power due to the rotation of the water jet.

#### Electrical connection



#### Caution - Danger!

Check that the electrical supply voltage and frequency (V-Hz) correspond to those specified on the appliance data plate (fig.2). The appliance should only be connected to a mains power supply equipped with an adequate earth connection and a differential security breaker (30 mA) to cut off the electricity supply in the instance of a short circuit.

#### Use of extension cables

Use cables featuring “IPX5” protection level. The cross-section of the extension cable should be proportionate to its length; the longer it is, the greater its cross-section should be. See table I.

#### Water supply connection



#### Caution - Danger!

Only clean or filtered water should be used for intake. The delivery of the water intake tap should be equal to that of pump capacity.

Place the appliance as close to the water supply system as possible.

#### Connection points

- Water outlet (OUTLET)
- Water inlet with filter (INLET)

### Connection to the mains water supply

The appliance can be connected directly to the mains drinking water supply only if the supply hose is fitted with a backflow preventer valve as per current regulations in force. Make sure that the hose is at least Ø 13 mm and that it is reinforced.

### Adjustment information (fig.3)

#### Adjusting the spray nozzle

(for models with this feature)

- Water flow is adjusted by regulating the nozzle (E).

#### Adjusting the detergent

(on models with this feature)

- Detergent flow is adjusted using the regulator (F).

#### Adjusting the detergent pressure

Set the adjustable nozzle (E) on " - " to deliver detergent at the correct pressure (on models with this feature).

#### Adjusting the pressure

(on models with this feature)

- The regulator (G) is used to adjust the working pressure. The pressure is shown on the pressure gauge (where fitted).

### Information on use of the appliance (fig.4)

#### Controls

- Starter device (H).

Set the starter switch on (ON/1) to:

- Start the motor (in models without TSS device);
  - Set the motor ready to start (in models with TSS device).
- If there is a pilot light on the starter device, it should light up.
  - If the "low/high" settings are available, use them as follows:
    - Low : low pressure washing
    - High : high pressure washing
  - Set the starter device switch on (OFF/0) to shut down the appliance.

- If there is a pilot light on the starter device, it should go out.
- Water jet control lever (I).



#### Caution - Danger!

During operation the appliance must be positioned as shown in fig. 4 on a sturdy, stable surface.

#### Start-up

- 1) Turn on the water supply tap fully.
- 2) Release the safety catch (D).
- 3) Depress the gun trigger for a few seconds and start up the appliance using the starter device (ON/1).



#### Caution - Danger!

Before starting up the appliance check that the water supply hose is connected properly; use of the appliance without water will damage it; do not cover the ventilation grilles when the appliance is in use.

TSS models - In TSS models with automatic delivery flow cut-off system:

- When the gun trigger is released the dynamic pressure automatically cuts out the motor (see fig.4);
- When the gun trigger is depressed the automatic drop in pressure starts the motor and the pressure is restored after a very slight delay;
- If the TSS is to function correctly all gun releasing and depressing operations must be performed at intervals of less than 4-5 seconds.
- On three-phase models for professional use, at first use start the appliance for a very short time to check that the motor is running in the correct direction. If the motor fan is turning anti-clockwise, exchange two of the three phase wires (L1, L2, L3) in the electrical plug.
- To prevent damage to the appliance, do not allow it to operate dry and when running do not stop the water jet for more than 10 minutes at a time (for models without TSS device).

#### Stopping the appliance

- 1) Set the starter device switch on (OFF/0).
- 2) Depress the gun trigger and discharge the residual pressure inside the hoses.
- 3) Engage the gun safety catch (D).

**Restarting**

- 1) Release the safety catch (D).
- 2) Depress the gun trigger and discharge the residual air inside the hoses.
- 3) Set the starter device on (ON/1).

**Storage**

- 1) Switch the appliance off (OFF/0).
- 2) Remove the plug from the socket.
- 3) Turn off the water supply tap.
- 4) Discharge the residual pressure from the gun until all the water has come out of the nozzle.
- 5) Drain and wash out the detergent tank at the end of the working session. To wash out the tank, use clean water instead of the detergent.
- 6) Engage the gun safety catch (D).

**Refilling and using detergent**

When using detergent, the adjustable nozzle must be set on "-" (on models with this feature).

Use of a high pressure hose longer than the one originally supplied with the cleaner, or the use of an additional hose extension, may reduce or completely halt the intake of detergent.

Fill the tank with highly degradable detergent.

**Recommended cleaning procedure**

Dissolve dirt by applying the detergent mixed with water to the surface while still dry.

When dealing with vertical surfaces work from the bottom upwards.

Leave the detergent to act for 1-2 minutes but do not allow the surface to dry. Starting from the bottom, use the high pressure jet at a minimum distance of 30 cm. Do not allow the rinse water to run onto unwashed surfaces.

In some cases, scrubbing with brushes is needed to remove dirt.

High pressure is not always the best solution for good washing results, since it may damage some surfaces. The finest adjustable nozzle jet setting or the rotating nozzle should not be used on delicate or painted parts, or on

pressurised components (e.g tyres, inflation valves, etc.).

Effective washing depends on both the pressure and volume of the water used, to the same degree.

**Maintenance (fig.5)**

Any maintenance operations not covered by this chapter should be carried out by an Authorized Sales and Service Centre.



Always disconnect the plug from the power socket before carrying out any work on the appliance.

**Cleaning the nozzle**

- 1) Disconnect the lance from the nozzle.
- 2) Remove any dirt deposits from the nozzle hole using the tool (C1).

**Cleaning the filter**

Inspect the intake filter (L) and detergent filter (if fitted) before each use, and clean in accordance with the instructions if necessary.

**Unjamming the motor (on models with this feature)**

In case of lengthy stoppages, limescale sediments may cause the motor to seize. To unjam the motor, turn the drive shaft with a tool (M).

**End-of-season storage**

Treat the appliance with non-corrosive, non-toxic antifreeze before storing it away for winter.

Put the appliance in a dry place, protected from frost.

**Mains plug replacement (U.K. & Ireland only)**

If a new mains plug needs to be fitted:

- Safely dispose of the old plug.
- Connect the brown lead to the live terminal in the new plug.
- Connect the blue lead to the neutral terminal.

**Warning!** No connection is to be made to the earth terminal. Follow the fitting instructions supplied with good quality plugs. Recommended fuse: 5 A.

## Troubleshooting

Problem	Possible causes	Remedy
Pump does not reach working pressure	Nozzle worn	Replace nozzle
	Water filter fouled	Clean filter (fig.5)
	Water supply pressure low	Turn on water supply tap fully
	Air being sucked into system	Check tightness of hose fittings
	Air in pump	Switch off the appliance and keep depressing and releasing the gun trigger until the water comes out in a steady flow. Switch the appliance back on again.
	Adjustable nozzle not positioned correctly	Turn the adjustable nozzle (E) (+) (fig.3)
	Thermostatic valve tripped	Wait for correct water temperature to be restored
Pressure drops during use	Water intake from external tank	Connect appliance to the mains water supply
	Intake water too hot	Reduce temperature
	Nozzle clogged	Clean nozzle (fig.5)
	Intake filter (L) dirty	Clean filter (L) (fig.5)
Motor "sounds" but fails to start	Insufficient power supply	Check that the voltage of the mains power supply line is the same as that on the plate (fig.2)
	Voltage loss due to use of extension cable	Check characteristics of extension cable
	Appliance not used for a long period of time	Contact your nearest Authorized Service Centre
	Problems with TSS device	Contact your nearest Authorized Service Centre
Motor fails to start	No electrical power	Check that the plug is firmly in the socket and that the mains voltage supply is present (*)
	Problems with TSS device	Contact your nearest Authorized Service Centre
	Appliance not used for a long period of time	Using the tool (L) unjam the motor from the hole at the rear of the appliance (in models with this feature) (fig.5)
Water leakage	Seals worn	Have the seals replaced at your nearest Authorized Service Centre
	Safety valve tripped and discharging	Contact an Authorized Service Centre
Appliance noisy	Water too hot	Reduce temperature (see technical data)
Oil leakage	Seals worn	Contact your nearest Authorized Service Centre
TSS versions only: motor starts even with gun trigger is released	Nozzle clogged	Clean nozzle (fig.5)
	High pressure system or pump hydraulic circuit not watertight	Contact your nearest Authorized Service Centre
TSS versions only: no water delivery when gun trigger is depressed (with supply hose connected)	Nozzle clogged	Clean nozzle (fig.5)
No detergent taken in	Adjustable nozzle on high pressure setting	Set nozzle on "-" setting (fig.5)
	Detergent too dense	Dilute with water
	High pressure hose extension being used	Fit original hose
	Deposits or restriction in detergent circuit	Flush with clean water and eliminate any restrictions. If the problem persists, contact an Authorized Service Centre

(\*) If the motor starts and does not restart during operation, wait 2-3 minutes before repeating the start-up procedure (**overload cutout has been tripped**). If the problem recurs more than once, contact your nearest Authorized Service Centre.

## Declaration of conformity



We declare under our sole responsibility that this product is in conformity with the following standards or standardized documents

**EN 60335-1 - EN 60335-2-79; EN 55014-1; EN 55014-2;  
EN 61000-3-2; EN 61000-3-3; EN 61000-3-11; EN 60704-1**

In accordance with the regulations:  
**2006/42/CE, 2006/95/CE, 2002/95/CE, 2002/96/CE, 2004/108/CE, 2000/14/CE**

For more information, please contact Black & Decker at the following address or refer to the back of the manual. The undersigned is responsible for compilation of the technical file and makes this declaration on behalf of Black & Decker.

Kevin Hewitt  
Vice-President Global Engineering  
Black & Decker Europe, 210 Bath Road, Slough,  
Berkshire, SL1 3YD  
United Kingdom  
04/02/2013

### Technical Data

	Unit	PW1400TDK
Output	L/min	6,2
Pressure	MPa	8
Maximum pressure	MPa	11
Power	kW	1,4
T° input	°C	50
Maximum input pressure	MPa	1
Repulsive force of the gun to the maximum pressure	N	9,3
Motor Insulation	-	Class F
Motor Protection	-	IPX5
Voltage	V/Hz	230/50
Sound level (K=3 dB(A)) :		
LPA (EN 60704-1)	dB (A)	75,8
LWA (EN 60704-1)	dB (A)	84
Unit vibrations (K=1,5M/s <sup>2</sup> )	M/s <sup>2</sup>	2,74
Weight	kg	6,4

## Protecting the environment



Separate collection. This product must not be disposed of with normal household waste.

Should you find one day that your Black & Decker product needs replacement, or if it is of no further use to you, do not dispose of it with other household waste. Make this product available for separate collection.

- Black & Decker provides a facility for recycling Black & Decker products once they have reached the end of their working life. This service is provided free of charge. To take advantage of this service please return your product to any authorised repair agent who will collect them on our behalf.
- You can check the location of your nearest authorised repair agent by contacting your local Black & Decker office at the address indicated in this manual. Alternatively, a list of authorized Black & Decker repair agents and full details of our after-sales service and contact are available on the Internet at: [www.2helpU.com](http://www.2helpU.com).

## Warranty

Black & Decker is confident of the quality of its products and offers an outstanding warranty.

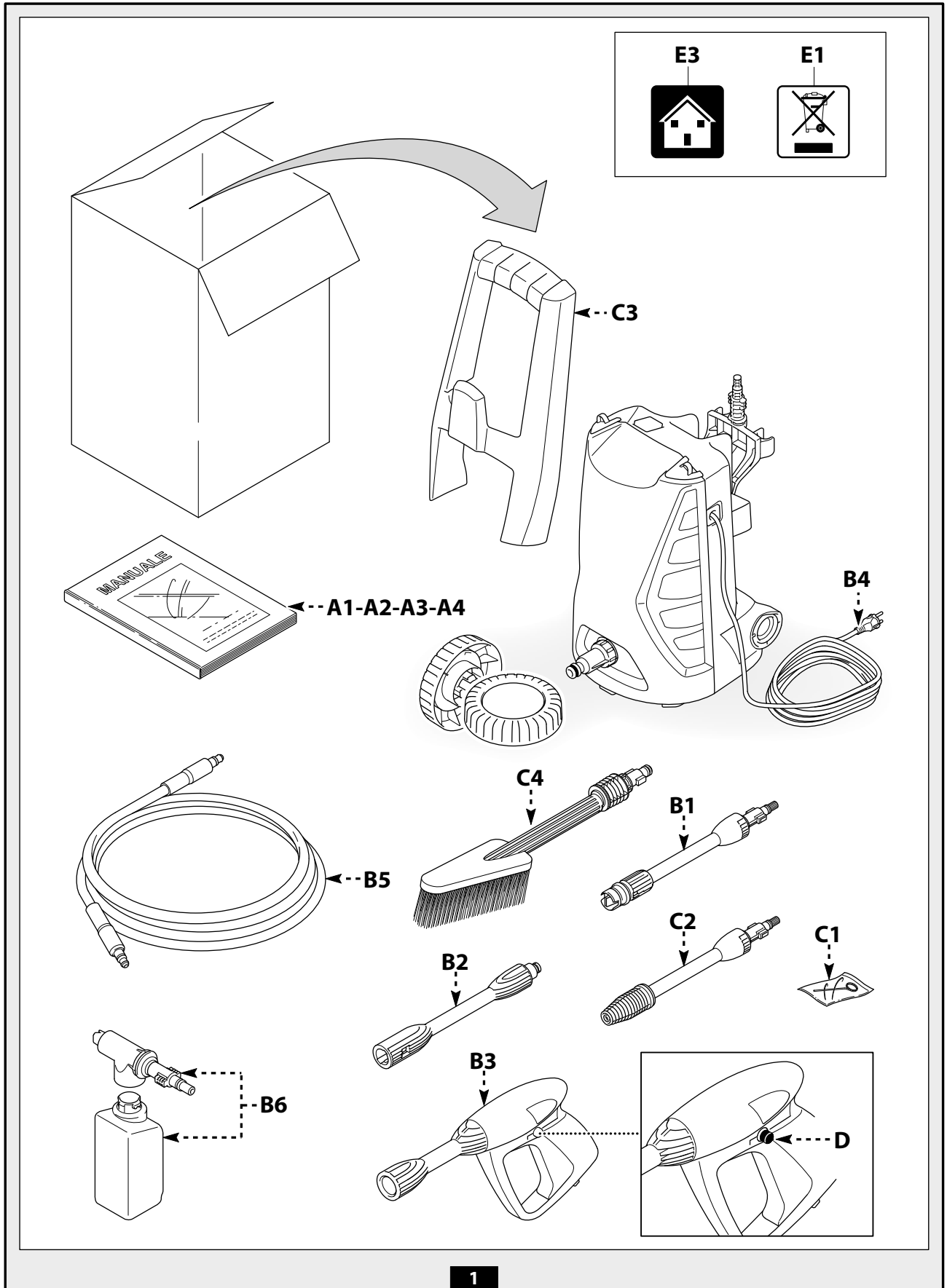
This warranty statement is in addition to and in no way prejudices your statutory rights.

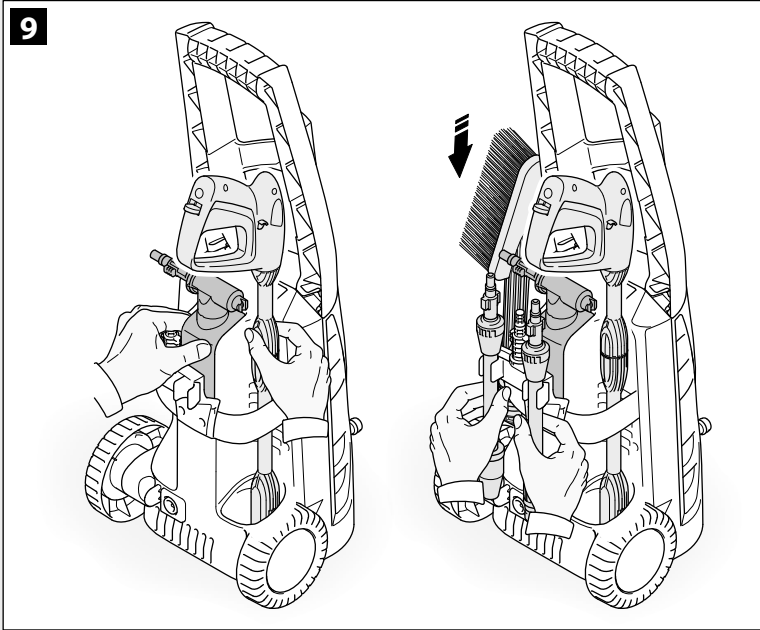
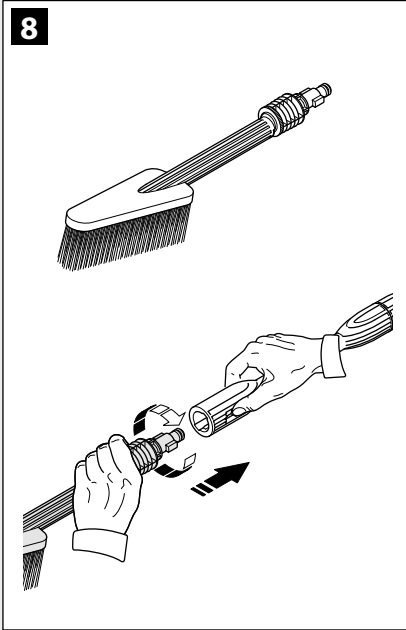
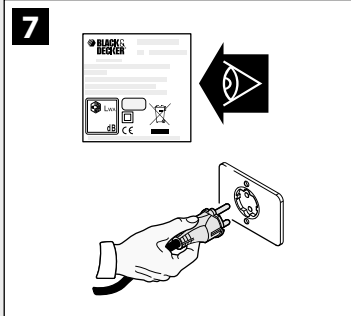
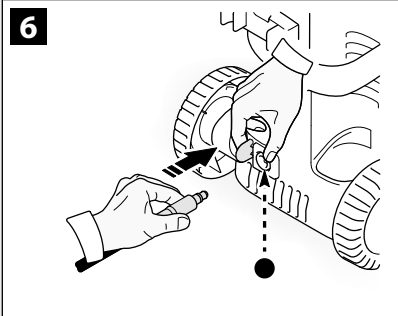
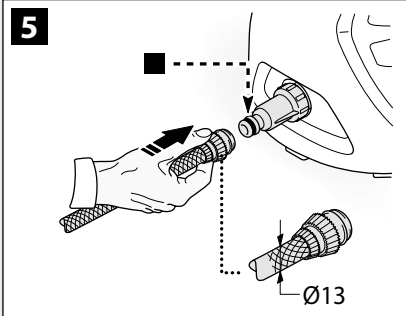
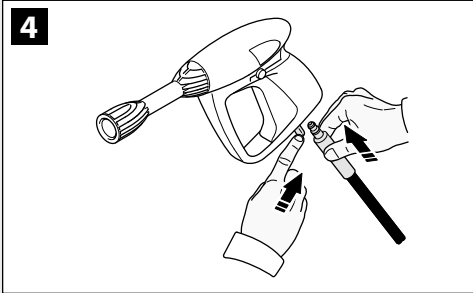
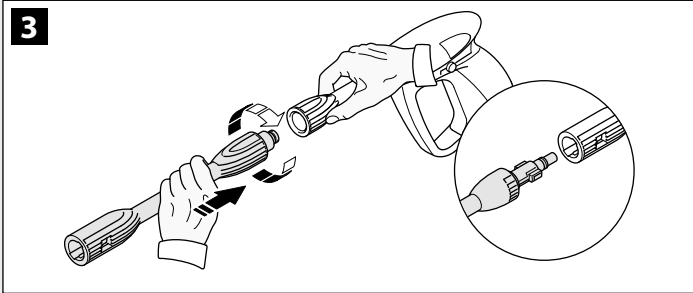
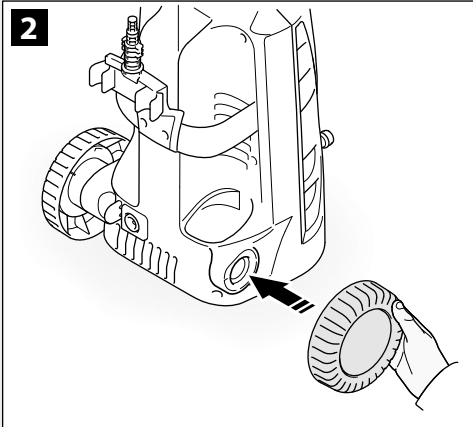
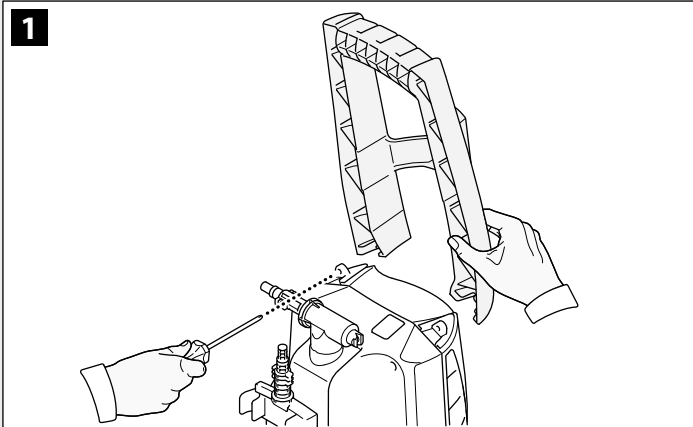
If a Black & Decker product becomes defective due to faulty materials, workmanship or lack of conformity, within 24 months from the date of purchase, Black & Decker warranty to replace defective parts, repair products subjected to fair wear and tear or replace such products to ensure minimum inconvenience to the customer unless:

- The product has been used for trade, professional or hire purposes;
- The product has been subjected to misuse or neglect;
- The product has sustained damage through foreign objects, substances or accidents;
- Repairs have been attempted by persons other than authorised repair agents or Black & Decker service staff.

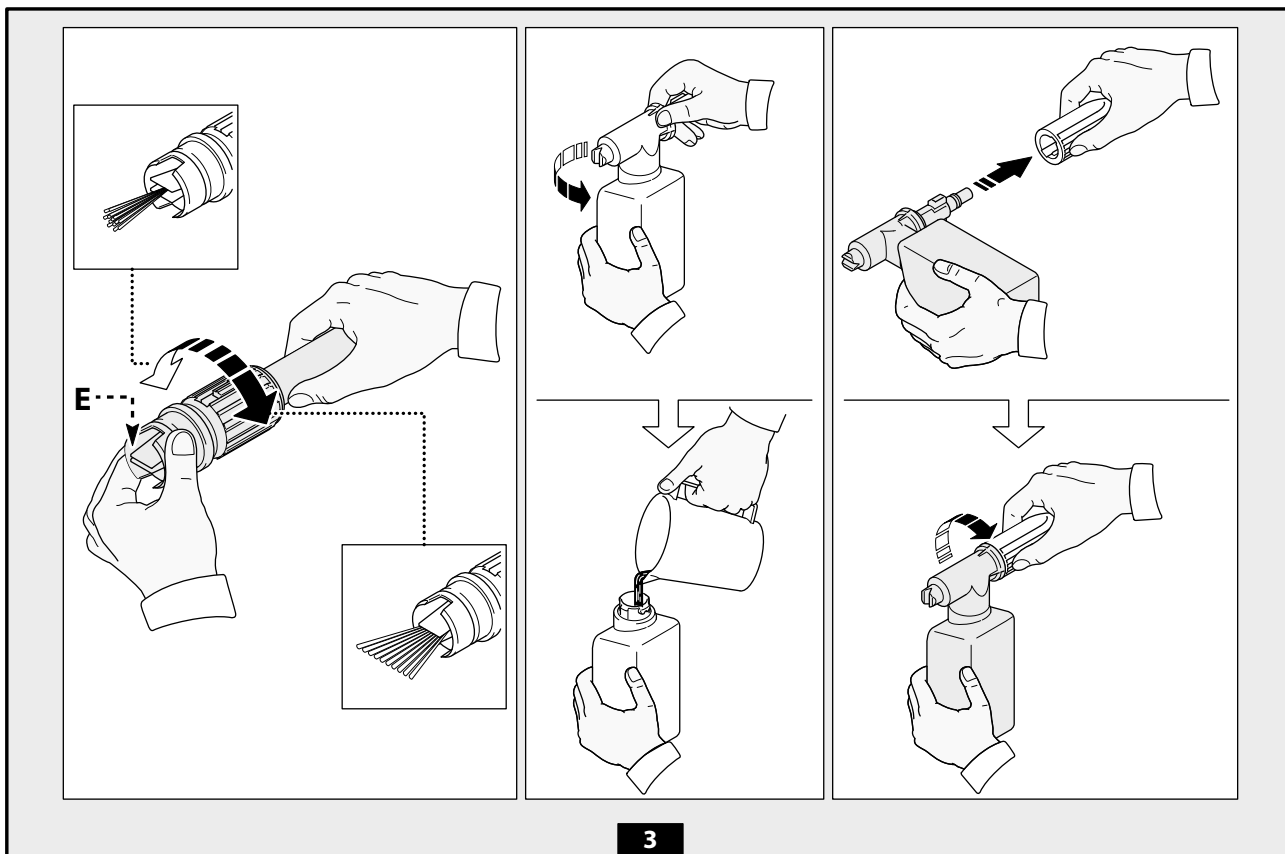
To claim on the warranty, you will need to submit proof of purchase to the seller or an authorised repair agent. You can check the location of your nearest authorised repair agent by contacting your local Black & Decker office at the address indicated in this manual.

Alternatively, a list of authorised Black & Decker repair agents and full details of our after-sales service and contacts are available on the Internet at: [www.2helpU.com](http://www.2helpU.com).

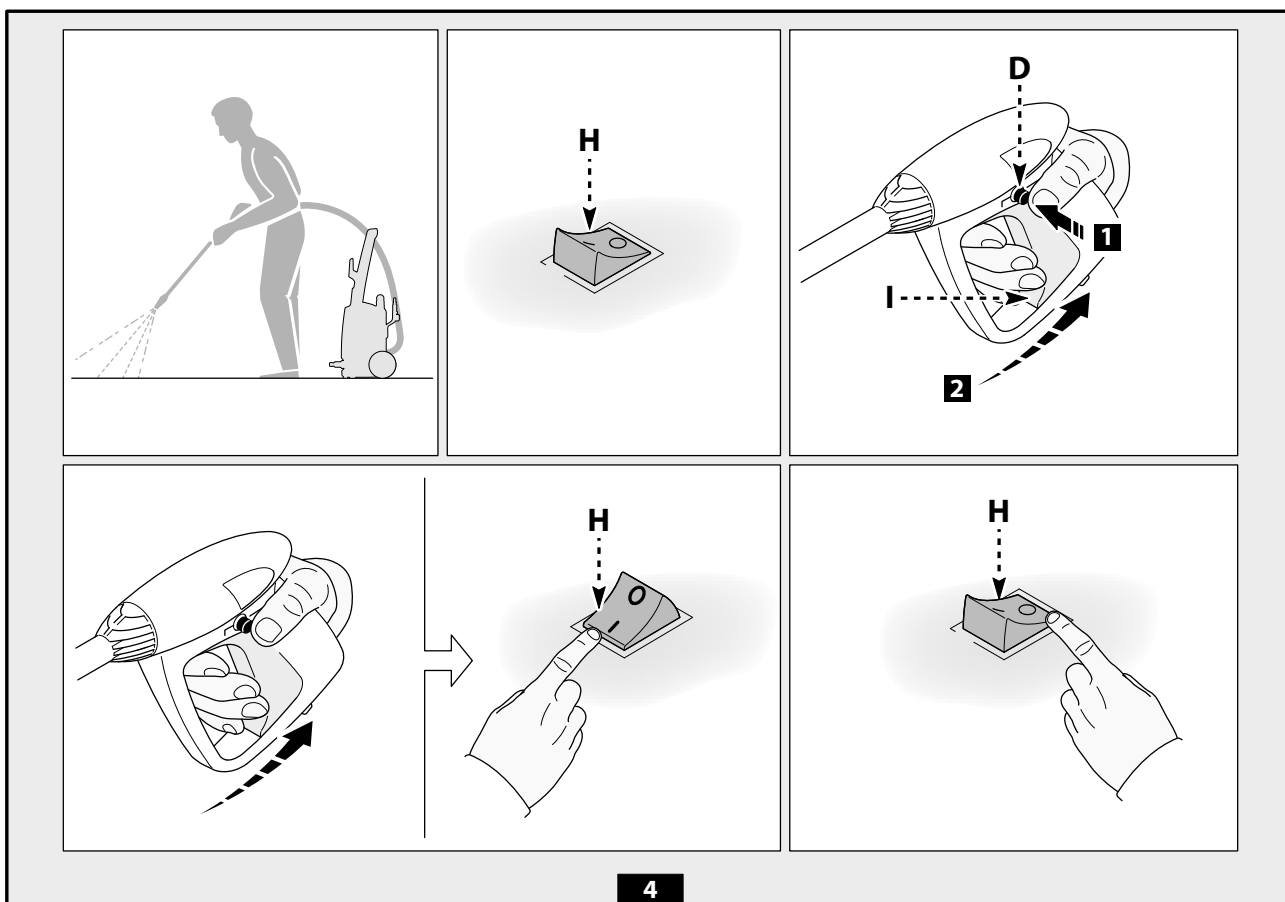




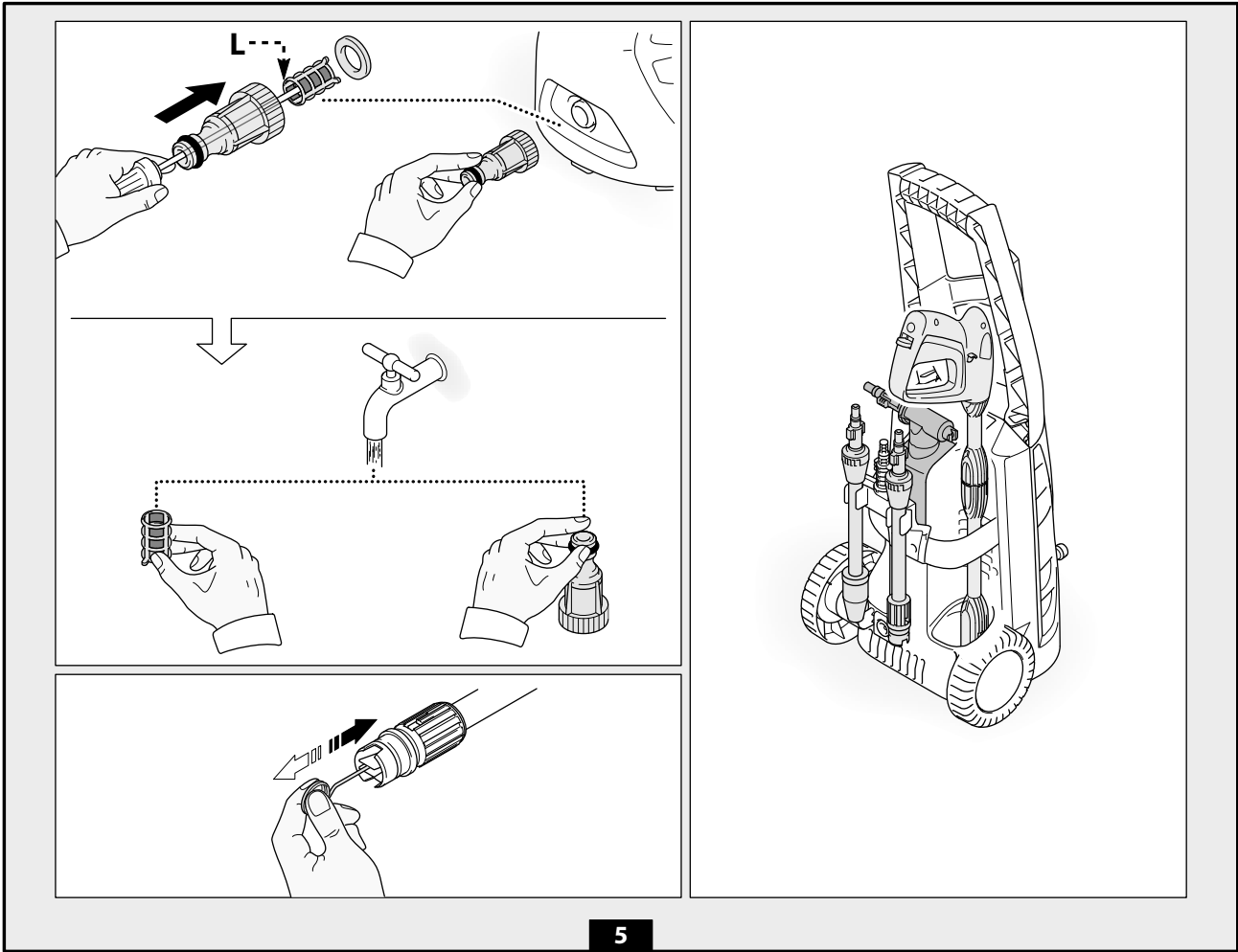




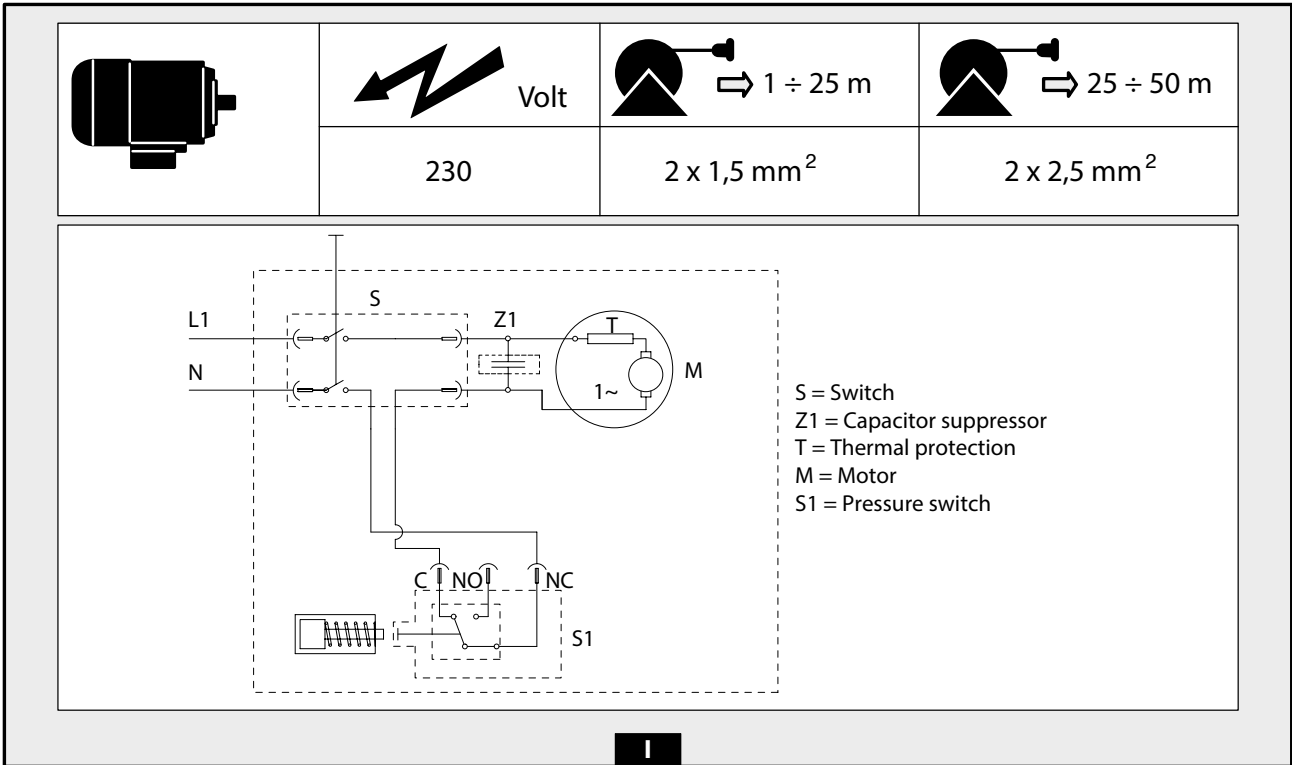
3



4



5



1





## Instructions pour la sécurité

L'appareil que vous venez d'acheter est un produit de très haut niveau technologique réalisé par l'une des entreprises européennes les plus expertes en la fabrication de pompes à haute pression. Pour obtenir des performances optimales, veuillez lire et observer scrupuleusement les instructions que nous avons formulées à chaque fois que vous utiliserez cet appareil. Nous vous félicitons de votre choix et vous souhaitons un bon travail.



## Règles de sécurité/risques résiduels







### Avertissements: à ne pas faire

-  N'utilisez jamais l'appareil avec des fluides inflammables, toxiques ou dont les caractéristiques ne sont pas compatibles avec le fonctionnement correct de l'appareil. danger d'explosion et d'empoisonnement
-  Ne dirigez jamais le jet d'eau contre des personnes ou des animaux. danger de lésions
-  Ne dirigez jamais le jet d'eau contre l'appareil, les parties électriques ou tout autre appareil électrique. Danger de choc électrique
-  N'utilisez jamais l'appareil en plein air en cas de pluie. danger de court-circuit
-  Ne laissez jamais la machine entre les mains d'enfants ou de personnel non formé. danger d'accident
-  Ne prenez jamais la fiche ou la prise avec les mains mouillées. Danger de choc électrique
-  N'utilisez jamais l'appareil si son câble électrique est endommagé. danger de choc électrique et court-circuit
-  N'utilisez jamais l'appareil si son tube à haute pression est endommagé. danger d'explosion
-  Ne bloquez pas le levier du pistolet si l'appareil est en marche. Danger d'accident
-  Vérifiez la présence de la plaquette des caractéristiques sur l'appareil; dans le cas contraire contactez immédiatement le revendeur. N'utilisez en aucun cas un appareil dépourvu de plaquette car il pourrait être dangereux. Danger d'accident

-  N'altérez jamais ni modifiez le tarage de la soupape de réglage et des dispositifs de sécurité. Danger d'explosion
-  Ne modifiez pas le diamètre d'origine du jet de la tête. Danger! Le fonctionnement risque d'être compromis
-  Ne laissez jamais l'appareil sans surveillance. Danger d'accident
-  Ne déplacez jamais l'appareil en le tirant par le CABLE ELECTRIQUE. Danger de court-circuit
- Évitez le passage de véhicules sur le tuyau haute pression.
- Ne déplacez pas l'appareil en tirant le tuyau haute pression. Danger d'explosion
- Le jet haute pression sur pneumatiques, valves de pneumatiques et autres composants sous pression est potentiellement dangereux. Évitez l'utilisation du kit buse rotative et maintenir une distance du jet d'au moins 30 cm pendant le lavage. Danger d'explosion

### Avertissements: à faire

-  Toutes les parties conductrices de courant DOIVENT ÊTRE PROTÉGÉES contre le jet d'eau. Danger de court-circuit
-  Branchez l'appareil uniquement sur une source d'électricité appropriée et conforme aux normes en vigueur. Danger de choc électrique
- Dans ce cas, le fonctionnement avec un disjoncteur différentiel de sécurité offre une protection personnelle supplémentaire (30 mA). Sur les modèles sans fiche, l'installation doit être effectuée par du personnel qualifié. N'utilisez que des rallonges électriques autorisées et avec une section appropriée.
-  La haute pression peut faire rebondir les pièces; PORTEZ toujours des vêtements et des lunettes de protection. danger de lésions
-  Avant d'exécuter toute opération sur l'appareil, DÉBRANCHEZ-le l'appareil. Danger de démarrage accidentel
-  A cause du recul, saisissez bien le pistolet lorsque vous tirez le levier. Danger de lésions

-  Respectez les règles de la société des eaux potables de la région. Suivant EN 12729 (BA), il est possible de connecter l'appareil directement au réseau d'eau potable uniquement si la tuyauterie d'alimentation comporte un dispositif anti-reflux avec vidange. Danger de pollution
-  L'entretien et/ou la réparation des composants électriques DOIVENT/do it être effectué(s) par du personnel qualifié. Danger d'accident
-  RE LÂCHEZ la pression résiduelle avant de déconnecter le tube de l'appareil. Danger de lésions
-  CONTRÔLEZ avant toute utilisation et de temps à autre le serrage des vis et le bon état des composants de l'appareil. Vérifiez s'il y a des pièces cassées ou usagées. Danger d'accident
-  N'utilisez que des détergents compatibles avec les matériaux de revêtement du flexible haute pression/câble électrique. Danger d'explosion et de choc électrique
-  Les personnes ou les animaux DOIVENT ÊTRE à la distance minimale de 15 m. Danger de lésions

## Informations générales (fig.1)

### Utilisation du manuel

Ce manuel fait partie intégrante de l'appareil, le conserver pour des consultations futures. Le lire attentivement avant l'installation/ utilisation. En cas de cessions, remettre le manuel au nouveau propriétaire.

### Livraison

L'appareil est livré partiellement démonté, dans un emballage en carton. La composition de la fourniture est représentée sur la fig.1

### Documentation fournie

- A1 Manuel d'utilisation et d'entretien
- A2 Instructions pour la sécurité
- A3 Déclaration de conformité
- A4 Règles de garantie

### Élimination des emballages

Les matériaux de l'emballage ne sont pas polluants pour l'environnement, toutefois ils doivent être recyclés ou éliminés conformément aux normes en vigueur dans le pays d'utilisation.


## Signalisations d'information


Respecter les signalisations des plaques appliquées sur l'appareil.

Vérifier qu'elles soient toujours présentes et lisibles ; dans le cas contraire, les remplacer en les appliquant dans la position d'origine.

Plaque E1 – Elle indique l'obligation de ne pas éliminer l'appareil comme déchet urbain ; il peut être redonné au distributeur au moment de l'achat d'un appareil neuf. Les parties électriques et électroniques de l'appareil ne doivent pas être réutilisées pour usages impropres car elles contiennent des substances dangereuses pour la santé.

## Symboles

 Icône E2 – Elle indique que l'appareil est conçu pour un usage professionnel, c'est-à-dire pour les personnes qui ont de l'expérience, une connaissance technique, normative, législative et qui sont en mesure d'exécuter les opérations nécessaires à l'utilisation et l'entretien de l'appareil.

 Icône E3 – Elle indique que l'appareil est conçu pour une usage non professionnel (domestique).

## Informations techniques (fig.1)

### Utilisation prévue

Cet appareil a été conçu pour une utilisation individuelle pour le lavage de véhicules, voitures, navires, façades, etc., pour enlever la saleté tenace avec de l'eau propre et des détergents chimiques biodégradables. Le lavage de moteurs de véhicules n'est consenti que si l'eau sale est évacuée selon les normes en vigueur.

- Température de l'eau en entrée : voir plaquette des caractéristiques techniques sur l'appareil.
- Pression de l'eau en entrée : 0,1MPa mini. - 1MPa maxi.
- Température ambiante de fonctionnement : supérieure à 0°C. L'appareil est conforme à la norme EN 60335-2-79/A1.

### Opérateur

Pour identifier l'opérateur chargé de l'utilisation de l'appareil (professionnel ou non professionnel), voir l'icône représentée sur la couverture.

### Utilisations non consenties

- L'utilisation est interdite aux personnes inexpérimentées ou qui n'ont pas lu et compris les instructions données dans ce manuel.

- Il est interdit d'alimenter l'appareil avec des liquides inflammables, explosifs et toxiques.
- Il est interdit de faire fonctionner l'appareil en atmosphère potentiellement inflammable ou explosive.
- Il est interdit d'utiliser des accessoires qui ne sont pas d'origine et non spécifiques pour le modèle.
- Il est interdit de modifier l'appareil ; toute modification entraîne l'invalidation de la déclaration de conformité et exonère le fabricant de toute responsabilité civile et pénale.

## Parties principales

- B1 Tête réglable
- B2 Lance
- B3 Pistolet avec sécurité
- B4 Câble électrique avec fiche
- B5 Tuyau haute pression
- B6 Réservoir à détergent (s'il est prévu)

## Accessoires (s'ils sont prévus dans la fourniture - voir fig.1)

- C1 Outil de nettoyage de la tête
- C2 Kit buse rotative
- C3 Manche
- C4 Brosse
- C5 Enrouleur de flexible

## Dispositifs de sécurité



### Attention – danger !

Ne pas modifier le tarage de la soupape de sûreté.

- Soupape de sûreté et/ou de limitation de pression. La soupape de sûreté est aussi une soupape de limitation de pression. Quand le pistolet se ferme, la soupape s'ouvre et l'eau recircule par l'aspiration de la pompe ou est évacuée au sol.
- Soupape thermostatique (D1 si prévue) Si la température de l'eau dépasse la température prévue par le fabricant, la soupape thermostatique évacue l'eau chaude et aspire une quantité d'eau froide égale à l'eau évacuée jusqu'au rétablissement de la température correcte.

- Dispositif de sécurité (D) : il évite le jet d'eau accidentel.

## Installation (fig.2)

### Montage



### Attention – danger !

Toutes les opérations d'installation et de montage

doivent être effectuées avec l'appareil débranché.

Pour la séquence de montage voir fig.2.

### Montage de la buse rotative

(Pour les modèles qui en sont équipés).

Le kit buse rotative permet une plus grande puissance de lavage. L'utilisation de la buse rotative peut coïncider avec une baisse de la pression égale à 25% par rapport à la pression obtenue avec la tête réglable. Son utilisation permet une plus grande puissance de lavage grâce à l'effet rotatif transmis au jet d'eau.

### Branchement électrique



### Attention – danger !

Vérifier que le voltage et la fréquence (V-Hz) du réseau électrique correspondent à ceux reportés sur la plaque d'identification (fig.2). Brancher l'appareil au réseau électrique ayant une mise à la terre efficace et une protection différentielle (30 mA) qui interrompt l'alimentation électrique en cas de court-circuit.

Utilisation des câbles de rallonge Les câbles doivent avoir un degré de protection « I PX5 ». La section des câbles de rallonge doit être proportionnée à leur longueur. Plus ils sont longs et plus la section doit être grande. Voir tableau I.

### Raccordement au réseau d'eau



### Attention – danger !

Aspirer uniquement de l'eau filtrée ou propre. Le robinet de prélèvement de l'eau doit garantir une arrivée égale au débit de la pompe.

Mettre l'appareil le plus près possible du réseau d'eau.

### Raccords

- Sortie de l'eau (OUTLET )
- Entrée de l'eau avec filtre (INLET )

### Raccordement au réseau d'alimentation en eau public

L'appareil ne peut être raccordé directement au réseau public de distribution de l'eau potable que si, dans la tuyauterie d'alimentation, se trouve un dispositif anti-reflux avec vidange conforme aux normes en vigueur. S'assurer que le tuyau ait un diamètre d'au moins 13 mm et qu'il soit renforcé.

### Réglages (fig.3)

#### Réglage de la tête (si prévu)

- Agir sur la tête (E) pour régler le jet d'eau

#### Réglage du détergent (si prévu)

- Agir sur le régulateur (F) pour doser la quantité de détergent nécessaire.

#### Réglage de la distribution de détergent

Mettre la tête réglable (E) en position « » pour distribuer le détergent à la pression correcte (si prévu).

#### Réglage de la pression (si prévu)

- Agir sur le régulateur (G) pour changer la pression de travail. La pression est indiquée par le manomètre (si présent).

### Utilisation (fig.4)

#### Commandes

- Dispositif de mise en marche (H).

Mettre le dispositif de mise en marche en pos. (ON/1) pour :

- Faire démarrer le moteur (dans les modèles sans dispositif TSS )
  - Préparer le moteur pour son fonctionnement (dans les modèles avec dispositif TSS ).
- Si le dispositif de mise en marche est doté de voyant, celui-ci doit s'allumer.
  - Si les positions « low/high » sont présentes, elles indiquent :
    - Low : nettoyage à basse pression
    - High : nettoyage à haute pression
  - Mettre le dispositif de mise en marche en pos. (OFF/0) pour arrêter le fonctionnement de l'appareil.
  - Si le dispositif de mise en marche est doté de voyant, celui-ci doit s'éteindre.

- Levier de commande du jet d'eau (I).



#### Attention – danger !

L'appareil doit fonctionner posé sur un plan sûr et stable, positionné comme indiqué sur la fig.4.

#### Mise en marche

- Ouvrir complètement le robinet d'arrivée d'eau ;
- Débloquer la sécurité (D) ;
- Tenir le pistolet ouvert pendant quelques secondes et mettre en marche l'appareil avec le dispositif de mise en marche (ON/1).



#### Attention – danger !

Avant de mettre en marche l'appareil, vérifier s'il est bien alimenté en eau ; l'utilisation à sec provoque l'endommagement de l'appareil. Pendant le fonctionnement, ne pas couvrir les grilles de ventilation.

Modèles TSS - Dans les modèles TSS , avec interruption automatique du refoulement :

- en fermant le pistolet, la pression dynamique éteint automatiquement le moteur électrique (voir fig. 4) ;
- en ouvrant le pistolet, la chute de pression fait partir automatiquement le moteur et la pression se reforme avec un tout petit retard ;
- pour un fonctionnement correct du TSS , les opérations de fermeture et d'ouverture du pistolet ne doivent pas être effectuées dans un intervalle de temps inférieur à 4÷5 secondes.
- À la première utilisation, dans les modèles triphasés pour usage professionnel, mettre en marche un bref instant pour vérifier le sens de rotation du moteur. Si la rotation du ventilateur du moteur est antihoraire, inverser deux des trois phases (L1, L2, L3) dans la fiche électrique.
- Évitez le fonctionnement à sec pour ne pas endommager l'appareil et pendant son fonctionnement ne pas interrompre le jet d'eau pour plus de 10 minutes (pour les modèles sans dispositif TSS).

#### Arrêt

- Mettre le dispositif de mise en marche en pos. (OFF/0).
- Ouvrir le pistolet et décharger la pression à l'intérieur des tuyauteries.
- Mettre la sécurité (D).

**Remise en marche**

- 1) Débloquer la sécurité (D).
- 2) Ouvrir le pistolet et laisser sortir l'air présent à l'intérieur des tuyauteries..
- 3) Mettre le dispositif de mise en marche en pos. (ON/1).

**Mise hors service**

- 1) Éteindre l'appareil (OFF/0).
- 2) Enlever la fiche de la prise.
- 3) Fermer le robinet de l'eau.
- 4) Décharger la pression résiduelle du pistolet jusqu'à ce que l'eau soit complètement sortie de la tête.
- 5) Videz et nettoyez le réservoir à détergent à la fin du travail. Pour le nettoyage du réservoir, utilisez de l'eau propre au lieu du détergent.
- 6) Remettre la sécurité (D) du pistolet.

**Utilisation du détergent**

Le détergent doit être pulvérisé avec la tête réglable en position «-» (si prévu).

L'utilisation d'un tuyau haute pression plus long que celui fourni avec l'appareil ou l'utilisation d'une rallonge de tuyau supplémentaire peut diminuer ou arrêter complètement l'aspiration du détergent.

Remplir le réservoir de détergent à haute biodégradabilité.

**Conseils pour un bon lavage**

Pulvériser la surface sèche à nettoyer de détergent mélangé à l'eau pour dissoudre la saleté.

Sur les surfaces verticales, partir du bas vers le haut.  
Laisser agir pendant

1÷2 minutes, sans laisser sécher la surface. Pulvériser un jet à haute pression à une distance de plus de 30 cm, en commençant par le bas. Éviter que l'eau de rinçage coule sur les surfaces non lavées.

Dans certains cas, pour enlever la saleté, l'action mécanique des brosses est nécessaire.

La pression élevée n'est pas toujours la meilleure solution pour un bon lavage, car elle peut endommager certaines surfaces. Il est conseillé d'éviter l'utilisation du jet fin de la

tête réglable et de la buse rotative sur des parties délicates et peintes et sur des composants sous pression (ex. pneumatiques, valves de gonflage..).

Un bon lavage dépend, en mesure égale, de la pression et du volume d'eau.

**Entretien (fig.5)**

Tous les entretiens dont on ne parle pas dans ce chapitre doivent être effectués auprès d'un revendeur agréé avec service après-vente.

**⚠ Attention – danger !**

Avant toute intervention sur l'appareil, le débrancher.

**Nettoyage de la tête**

- 1) Démonter la lance du pistolet.
- 2) Enlever la saleté du trou de la tête avec l'outil (C1).

**Nettoyage du filtre**

Vérifiez le filtre d'aspiration (L) et le filtre du détergent (si prévu) avant chaque utilisation et, si nécessaire, nettoyez-les comme indiqué.

**Déblocage du moteur (si prévu)**

En cas d'arrêts prolongés, des sédiments calcaires peuvent provoquer le blocage du moteur. Pour débloquer le moteur, tourner l'arbre moteur avec l'outil (M).

**Remisage d'hiver**

Avant ce remisage, faire fonctionner l'appareil avec du liquide antigel non agressif et non toxique.

Ranger l'appareil dans un endroit sec et à l'abri du gel.

**Remplacement des prises secteur (RU et Irlande uniquement)**

Si une nouvelle prise secteur doit être installée :

- Mettez au rebut la vieille prise.
- Branchez le fil brun dans la borne de la nouvelle prise.
- Branchez le fil bleu à la borne neutre.

**Attention !** Aucune connexion ne doit être faite à la borne de terre. Suivez les instructions de montage fournies avec les prises de bonne qualité. Fusibles recommandés : 13 A.

## Anomalies de fonctionnement

Anomalies	Causes probables	Solutions
La pompe n'atteint pas la pression prescrite	Buse usée	Remplacer la buse
	Filtre de l'eau sale	Nettoyer le filtre (fig.5)
	Alimentation en eau insuffisante	Ouvrir complètement le robinet
	Aspiration d'air	Contrôler les raccords
	Air dans la pompe	Éteindre l'appareil et actionner le pistolet jusqu'à la sortie d'un jet continu. Rallumer.
	Mauvais réglage de la tête	Tourner la tête (E) (+) (fig.3)
	Intervention de la soupape thermostatique	Attendre le rétablissement de la température correcte de l'eau
La pompe a des sautes de pression	Aspiration d'eau du réservoir extérieur	Raccorder l'appareil au réseau d'alimentation en eau
	Température de l'eau en entrée trop élevée	Baisser la température
	Buse obstruée	Nettoyer la buse (fig.5)
	Filtre d'aspiration (L) sale	Nettoyer le filtre (L) (fig.5)
Le moteur « ronfle » mais ne démarre pas	Tension de réseau insuffisante	Contrôler que la tension de réseau corresponde à celle de la plaque (fig.2)
	Perte de tension causée par la rallonge	Vérifier les caractéristiques de la rallonge
	Arrêt prolongé de l'appareil	Contacteur le Centre d'assistance technique agréé
	Problèmes au dispositif TSS	Contacteur le Centre d'assistance technique agréé
Le moteur électrique ne démarre pas	Manque de tension	Vérifier la présence de tension dans le réseau et contrôler si la fiche est bien introduite dans la prise (*)
	Problèmes au dispositif TSS	Contacteur le Centre d'assistance technique agréé
	Appareil qui n'est plus utilisé depuis longtemps	Par le trou arrière, débloquer le moteur avec l'outil (L) (pour les modèles qui le prévoient) (fig.5)
Fuites d'eau	Joints d'étanchéité usés	Remplacer les joints auprès d'un Centre d'assistance technique agréé
	Intervention soupape de sûreté à décharge libre	Contacteur le Centre d'assistance technique agréé
Bruit	Température de l'eau trop élevée	Baisser la température (voir données techniques)
Fuites d'huile	Joints d'étanchéité usés	Contacteur le Centre d'assistance technique agréé
Seulement pour TSS : l'appareil se met en marche bien que le pistolet soit fermé	Buse obstruée	Nettoyer la buse (fig.5)
	Mauvaise étanchéité du système haute pression ou dans le circuit de la pompe	Contacteur le Centre d'assistance technique agréé
Seulement pour TSS : en tirant le levier du pistolet, l'eau ne sort pas (avec tuyau d'alimentation introduit)	Buse obstruée	Nettoyer la buse (fig.5)
Le détergent n'est pas aspiré	Position de la tête réglable en haute pression	Mettre la tête en position «-» (fig.3)
	Détergent trop dense	Diluer avec de l'eau
	Utilisation de rallonges tuyau haute pression	Remettre le tuyau d'origine
	Circuit du détergent encrassé ou étranglé	Rincer avec de l'eau propre et éliminer les étranglements éventuels. Si le problème persiste consulter un Centre d'assistance technique agréé

(\*) Si, au cours du fonctionnement, le moteur s'arrête et ne repart pas, attendre 2-3 minutes avant de tenter de nouveau la mise en marche (**Intervention de la protection thermique**). Si l'inconvénient se répète plus d'une fois, contacter le Centre d'assistance technique agréé.



## Déclaration de conformité



Nous déclarons, en assumant la pleine responsabilité de cette déclaration, que le produit est conforme aux normes suivantes et aux documents correspondants

**EN 60335-1 - EN 60335-2-79; EN 55014-1; EN 55014-2;  
EN 61000-3-2; EN 61000-3-3; EN 61000-3-11; EN 60704-1**

Selon les prescriptions des directives :  
**2006/42/CE, 2006/95/CE, 2002/95/CE, 2002/96/CE, 2004/108/CE, 2000/14/CE**

Pour plus de renseignements, veuillez contacter Black & Decker à l'adresse suivante ou reportez-vous au dos du manuel. Le soussigné est responsable des données de la fiche technique et fait cette déclaration au nom de Black & Decker

Kevin Hewitt  
Vice-President Global Engineering  
Black & Decker Europe, 210 Bath Road, Slough,  
Berkshire, SL1 3YD  
Royaume-Uni  
04/02/2013

## Données Techniques

	Unité	PW1400TDK
Débit	L/min	6,2
Pression	MPa	8
Pression maximale	MPa	11
Puissance	kW	1,4
T° Alimentation	°C	50
Pression d'alimentation maximale	MPa	1
Force répulsive du pistolet à la pression maximale	N	9,3
Isolation du moteur	-	Classe F
Protection du moteur	-	IPX5
Tension	V/Hz	230/50
Niveau de pression sonore (K=3 dB(A)) :		
LPA (EN 60704-1)	dB (A)	75,8
LWA (EN 60704-1)	dB (A)	84
Vibrations de l'appareil (K=1.5M/s <sup>2</sup> )	M/s <sup>2</sup>	2,74
Poids	kg	6,4

## Protection de l'environnement



Collecte séparée. Ce produit ne doit pas être jeté avec les déchets domestiques normaux.

Si vous décidez de remplacer ce produit Black & Decker, ou si vous n'en avez plus l'utilité, ne le jetez pas avec vos déchets domestiques. Rendez-le disponible pour une collecte séparée.

- Black & Decker fournit un dispositif permettant de collecter et de recycler les produits Black & Decker lorsqu'ils ont atteint la fin de leur cycle de vie. Pour pouvoir profiter de ce service, veuillez retourner votre produit à un réparateur agréé qui se chargera de le collecter pour nous.
- Pour connaître l'adresse du réparateur agréé le plus proche de chez vous, contactez le bureau Black & Decker à l'adresse indiquée dans ce manuel. Vous pourrez aussi trouver une liste des réparateurs agréés de Black & Decker et de plus amples détails sur notre service après-vente sur le site Internet à l'adresse suivante : [www.2helpU.com](http://www.2helpU.com)

## Garantie

Black & Decker vous assure la qualité de ses produits et vous offre une garantie très étendue.

Ce certificat de garantie est un document supplémentaire et ne peut en aucun cas se substituer à vos droits légaux.

Si un produit Black & Decker s'avère défectueux en raison de matériaux en mauvais état, d'une erreur humaine, ou d'un manque de conformité dans les 24 mois suivant la date d'achat, Black & Decker garantit le remplacement des pièces défectueuses, la réparation des produits usés ou cassés ou remplace ces produits à la convenance du client, sauf dans les circonstances suivantes :

- Le produit a été utilisé dans un but commercial, professionnel, ou a été loué.
- Le produit a été mal utilisé ou avec négligence.
- Le produit a subi des dommages à cause de corps étrangers, de substances ou d'accidents.
- Des réparations ont été tentées par des techniciens ne faisant pas partie du service technique de Black & Decker.

Pour avoir recours à la garantie, il est nécessaire de fournir une preuve d'achat au vendeur ou à un réparateur agréé.

Pour connaître l'adresse du réparateur agréé le plus proche de chez vous, contactez le bureau Black & Decker à l'adresse indiquée dans ce manuel.

Vous pourrez aussi trouver une liste de réparateurs agréés de Black & Decker et de plus amples détails sur notre service après-vente sur le site Internet à l'adresse suivante : [www.2helpU.com](http://www.2helpU.com)

## الضمان

تثق بلاك أند ديكر بجودة منتجاتها وتقدم ضماناً مميزاً. ويكون بيان الضمان هذا بالإضافة ولا يخل بأي حال من الأحوال بالحقوق القانونية.

إذا أصبح منتج بلاك أند ديكر معيباً بسبب عيوب المواد والصناعة وعدم المطابقة، تضمن بلاك أند ديكر في غضون 24 شهراً من تاريخ الشراء استبدال الأجزاء المعيبة وإصلاح المنتجات مع مراعاة البلي باستخدام العادي أو استبدال هذه المنتجات للتأكد من رضا العملاء ما لم:

- تم استخدام المنتج لأغراض تجارية أو مهنية أو للتأجير.
- إهمال أو إساءة استخدام المنتج.
- تعرض المنتج لتلف بسبب مواد أو أغراض غريبة أو الحوادث.
- محاولة إجراء عمليات الإصلاح من قبل الأشخاص الآخرين بخلاف وكلاء الإصلاح المصرح بهم أو فريق الخدمة التابع لبلاك أند ديكر.

للمطالبة بالضمان، يجب تقديم إثبات الشراء للبائع أو وكيل البيع المعتمد. ويمكنك معرفة مكان أقرب وكيل إصلاح معتمد بمراجعة مكتب بلاك أند ديكر المحلي في العنوان المشار إليه في الدليل.

كما تتوفر قائمة بوكلاء الإصلاح المعتمدين لدى بلاك أند ديكر وبيانات خدمات ما بعد البيع والاتصال على الموقع الإلكتروني:

[www.2helpU.com](http://www.2helpU.com)

## حماية البيئة

الجمع المنفصل. يلزم عدم التخلص من هذا المنتج مع القمامة المنزلية العادية.



إذا لزم في يوم من الأيام استبدال منتج بلاك أند ديكر الخاص بك، أو إذا لم تعد تستخدمه، فلا تتخلص منه مع القمامة المنزلية الأخرى، بل تأكد من إتاحة هذا المنتج للجمع المنفصل.

- توفر شركة بلاك أند ديكر مرفق لإعادة تدوير منتجات بلاك أند ديكر بمجرد وصولها إلى نهاية عمرها وعدم صلاحيتها للعمل. ويتم تقديم هذه الخدمة مجاناً. للاستفادة من هذه الخدمة، يرجى إعادة المنتج إلى أي وكيل صيانة معتمد والذي سوف يتولى بدوره جمع المنتجات نيابة عنا.

- يمكنك التعرف على موقع أقرب وكيل صيانة معتمد من خلال الاتصال على مكتب بلاك أند ديكر المحلي في العنوان الموضح في هذا الدليل. وبدلاً من ذلك، توجد قائمة بوكلاء الصيانة المعتمدين التابعين لشركة بلاك أند ديكر والتفاصيل الكاملة لخدمات ما بعد البيع ووسائل الاتصال الخاصة بنا على الإنترنت على الموقع الإلكتروني: [www.2helpU.com](http://www.2helpU.com).

## إقرار التوافق



نُقر على مسؤوليتنا الخاصة بأن هذا المنتج يتوافق مع المعايير أو الوثائق القياسية التالية:

EN 55014-2، EN 55014-1، EN 60335-1 – EN 60335-2-79  
EN 60704-1، EN 61000-3-11، EN 61000-3-3، EN 61000-3-2

بموجب التوجيهات:

CE/2000/14، CE/2004/108، CE/2002/96، CE/2002/95، CE/2006/95، CE/2006/42

للمزيد من المعلومات، يرجى الاتصال ببلاك أند ديكر على العنوان التالي أو الوارد في نهاية الدليل. ويتحمل الموقع أدناه المسؤولية عن جمع الملف الفني وتقديم هذا الإقرار نيابة عن بلاك أند ديكر.

كيفن هيويت

نائب رئيس الهندسة العالمية

بلاك أند ديكر أوربا، 210 باث رود، سلو

بيركشاير، SL1 3YD

المملكة المتحدة

04/02/2013

## البيانات الفنية

PW1400TDK	الوحدة	
6.2	لتر/دقيقة	الإنتاج
8	ميغا باسكال	الضغط
11	ميغا باسكال	أقصى ضغط
1.4	كيلو وات	الطاقة
50	سيلزيوس	درجة حرارة الإدخال
1	ميغا باسكال	أقصى ضغط للإدخال
9.3	نيوتن	قوة التنافر لمسدس الرش عند أقصى ضغط
فئة	-	عزل المحرك
IPX5	-	حماية المحرك
230 / 50	فولت/هيرتز	الجهد الكهربائي
75.8	ديسيبل (A)	مستوى الصوت (عامل الحجم = 3 ديسيبل (A): LPA (EN 60704-1)
84	ديسيبل (A)	LWA (EN 60704-1)
2.74	م/ثانية <sup>2</sup>	اهتزاز الوحدة (عامل الحجم = 1.5 م/ثانية <sup>2</sup> )
6.4	كجم	الوزن

المشكلة	الأسباب المحتملة	الحل
عدم وصول المضخة إلى ضغط العمل المطلوب.	تلف الفوهة	استبدال الفوهة
	انسداد مرشح المياه	تنظيف المرشح (شكل 5)
	انخفاض ضغط مصدر المياه	فتح صنبور مصدر المياه بشكل تام
	تسرب الهواء داخل النظام	تحقق من إحكام تركيبات الخرطوم
	وجود هواء في المضخة	إغلاق الجهاز والاستمرار في الضغط على وتحرير مشغل مسدس الرش حتى تخرج المياه بتدفق ثابت. ثم إعادة تشغيل الجهاز مرة أخرى.
انخفاض الضغط أثناء الاستخدام	إعاقة الصمام المنظم	الانتظار حتى استعادة درجة حرارة المياه الصحيحة
	إدخال المياه من خزان خارجي	توصيل الجهاز بمصدر المياه الرئيس
	إدخال مياه ساخنة جداً	تخفيض درجة الحرارة
	انسداد الفوهة	تنظيف الفوهة (شكل 5)
إصدار المحرك صوتاً ولكنه لا يبدأ التشغيل	انساخ مرشح الإدخال (L)	تنظيف المرشح (L) (شكل 5)
	مصدر طاقة غير كاف	التأكد من أن الجهد الكهربائي لخط مصدر الطاقة الرئيس مماثل للجهد المبين على اللوحة المبينة في (شكل 2).
	فقد الجهد الكهربائي بسبب استخدام كابل توصيل	التأكد من خصائص كابل التوصيل
فشل المحرك في بدء التشغيل	عدم استخدام الجهاز لمدة طويلة	الاتصال بأقرب مركز خدمة معتمد
	مشاكل خاصة بجهاز TSS	الاتصال بأقرب مركز خدمة معتمد
	عدم وجود طاقة كهربائية	التأكد من إحكام وضع القابس في مأخذ التيار ووجود مصدر الكهربائي الرئيس (x)
	مشاكل خاصة بجهاز TSS	الاتصال بأقرب مركز خدمة معتمد
تسرب المياه	عدم استخدام الجهاز لمدة طويلة	استخدام الأداة (L) لتنظيف المحرك من الفتحة الموجودة على ظهر الجهاز (في الطرازات المزودة بهذه الخاصية) (شكل 5)
	تلف موانع التسرب	استبدال موانع التسرب من أقرب مركز خدمة معتمد
ارتفاع صوت الجهاز	تعطل صمام الأمان وتصريفه للمياه	الاتصال بأقرب مركز خدمة معتمد
	ارتفاع درجة حرارة المياه جداً	تخفيض درجة الحرارة (راجع البيانات الفنية)
تسرب الزيت	تلف موانع التسرب	الاتصال بأقرب مركز خدمة معتمد
	انسداد الفوهة	تنظيف الفوهة (شكل 5)
خاص بإصدارات TSS فقط: بدء تشغيل المحرك حتى في حال تحرير مشغل مسدس الرش	نظام الضغط المرتفع أو الدائرة الهيدروليكية للمضخة ليست مانعة للمياه	الاتصال بأقرب مركز خدمة معتمد
	انسداد الفوهة	تنظيف الفوهة (شكل 5)
خاص بإصدارات TSS فقط: عدم وصول المياه عند الضغط على مشغل مسدس الرش (مع توصيل خرطوم المصدر)	ضبط الفوهة القابلة للتعديل على الإعداد ضغط مرتفع	اضبط الفوهة على الإعداد " - " (شكل 5)
	المنظف كثيف جداً	تخفيف المنظف بالماء
	استخدام وصلة خرطوم ضغط مرتفع	تركيب الخرطوم الأصلي
	وجود ترسبات أو عوائق في دائرة المنظف	التنظيف عبر دفع مياه نظيفة وإزالة أية عوائق. وإذا استمرت تلك المشكلة، فيرجى الاتصال بأقرب مركز خدمة معتمد

(x) إذا بدأ المحرك ولم يتم إعادة التشغيل أثناء فترة التشغيل، عليك الانتظار من 2 إلى 3 دقائق قبل إعادة إجراء التشغيل مرة أخرى (تعطل إجراء القطع عند الحمل الزائد). وإذا تكررت المشكلة أكثر من مرة، يرجى الاتصال بأقرب مركز خدمة معتمد.

## التخزين

## الصيانة (شكل 5)

أية عمليات صيانة غير مذكورة في هذه الفصل ينبغي إجرائها في مركز الخدمة والمبيعات المعتمد.

## ⚠ تحذير - خطر!

قم دائماً بفصل القابس من مأخذ التيار قبل مباشرة أي عمل على الجهاز.

## تنظيف الفوهة

- 1 قم بفصل الذراع من الفوهة.
- 2 قم بإزالة أية ترسبات قدرة من خرطوم الفوهة مستخدماً الأداة (C1).

## تنظيف المرشح

قم بفحص مرشح المدخل (L) ومرشح المنظف (في حال تثبيته) قبل كل استخدام، وقم بتنظيفهما وفقاً للتعليمات عند الحاجة لذلك.

## تنظيف المحرك (في الطرازات المزودة بهذه الخاصية)

في حال عدم استخدام الجهاز لفترات طويلة، يمكن أن تتسبب الرواسب الكلسية في جموح المحرك. وحتى يمكن تنظيف المحرك من تلك الرواسب، يرجى تشغيل عصا القيادة باستخدام الأداة (M).

## التخزين الموسمي

يرجى معالجة الجهاز بمضاد للتجميد ومضاد للسموم ومضاد للتآكل قبل تخزينه بالخارج بسبب المطر.

ينصح بوضع الجهاز في مكان جاف لحمايته من الصقيع.

استبدال القابس الرئيسي  
(خاص بالمملكة المتحدة وأيرلندا فقط)

عند الحاجة إلى تثبيت قابس رئيس جديد قم بما يلي:

- التخلص من القابس القديم بشكل آمن.
  - توصيل السلك البني مع الطرف الموصل في القابس الجديد.
  - توصيل السلك الأزرق مع الطرف المحايد في القابس الجديد.
- تحذير! يحظر إجراء أي توصيل بالطرف الأرضي. ويرجى اتباع تعليمات التثبيت المرفقة مع القوابس عالية الجودة، كما ينصح باستخدام فاصمة الكهرباء: A 5.

1 قم بإيقاف تشغيل الجهاز (OFF/0).

2 قم بإزالة القابس من مأخذ التيار.

3 قم بإغلاق صنوبر مصدر المياه.

4 قم بتصريف الضغط المتبقي من مسدس الرش حتى تخرج آخر قطرة من المياه.

5 قم بتصريف السائل الموجود في خزان المنظف وقم بغسله في نهاية عملية التشغيل. وينصح باستخدام الماء النظيف في عملية تنظيف الخزان بدلاً من المنظف.

6 قم بتشغيل مقبض أمان مسدس الرش (D).

## إعادة التعبئة واستخدام المنظف

عند استخدام المنظف، يجب ضبط الفوهة القابلة للتعديل على الوضع " - " (في الطرازات المزودة بهذه الخاصية)

استخدام خرطوم ضغط مرتفع غير الخرطوم الأصلي المقدم مع جهاز التنظيف أو استخدام وصلة خرطوم إضافية قد يقلل من دخول المنظف أو يمنع دخوله بشكل كلي.

ينصح بملء الخزان بمنظف سهل التدرُّك.

## إجراء التنظيف الأمثل

قم بإذابة الأوساخ عبر وضع المنظف الممزوج بالماء على السطح الجاف.

عند التعامل مع الأسطح الرأسية، ينصح بالعمل من أعلى لأسفل.

اترك المنظف يعمل على السطح لمدة تتراوح من 1 إلى 2 دقيقة، ولا تدع السطح يجف، وابدأ عملية التنظيف من أسفل مستخدماً رشاش ضغط مرتفع يبعد عن السطح بمقدار 30 سم على الأقل، ولا تدع مياه الغسيل تتساقط على الأسطح التي لم يتم غسلها بعد.

قد يلزم استخدام فرشاة ذلك في بعض الحالات لإزالة الأوساخ.

الضغط المرتفع ليس دائماً هو الحل الأمثل للحصول على نتائج تنظيف جيدة، حيث إنه قد يتسبب في تلف بعض الأسطح. وينبغي عدم استخدام أفضل إعداد رش للفوهة القابلة للتعديل أو للفوهة الدوارة مع الأجزاء المطلية أو الحساسة أو الأجزاء التي تتعرض للضغط (مثل الإطارات أو صمامات النفخ وغيرها).

تعتمد عملية الغسيل الفعال على عاملين اثنين هما الضغط وكمية المياه المستخدمة بالتساوي.

## بدء التشغيل

- 1 افتح صنبور مصدر المياه بشكل تام.
- 2 حرر مقبض الأمان (D).
- 3 اضغط على مشغل مسدس الرش لثواني قليلة وابدأ تشغيل الجهاز مستخدماً مفتاح بدء التشغيل (ON/1).

## ⚠ تحذير - خطر!

قبل بدء التشغيل، تأكد من توصيل خرطوم مصدر المياه بشكل صحيح، حيث إن استخدام الجهاز دون مياه يتسبب في تلفه، ويحظر القيام بتغطية شبكات التهوية أثناء استخدام الجهاز.

الطرازات TSS - في الطرازات TSS المزودة بنظام قطع التيار التلقائي:

- عند تحرير مشغل مسدس الرش، يقوم الضغط الديناميكي بإيقاف المحرك تلقائياً (راجع شكل 4).
- عند الضغط على مشغل مسدس الرش، يتسبب الانخفاض التلقائي في الضغط في تشغيل المحرك، ثم يعود الضغط لمستواه السابق في أقل من لحظة.
- إذا كان نظام TSS يعمل بشكل صحيح، فيجب أن يتم تنفيذ عمليات تحرير وضغط مسدس الرش على فترات زمنية أقل من 4 إلى 5 ثواني.
- في الطرازات ثلاثية الأطوار الخاصة بالاستخدام المهني، عند الاستخدام للمرة الأولى، ابدأ تشغيل الجهاز لفترة قصيرة للتأكد من أن المحرك يدور في الاتجاه الصحيح. وإذا كانت مروحة المحرك تدور عكس عقارب الساعة، قم بتدوير اثنين من الثلاثة أسلاك (L1، L2، L3) في القابس الكهربائي.
- لتجنب تلف الجهاز، لا تقم بتشغيل الجهاز دون مياه. وأثناء التشغيل، لا تقم بإيقاف رشاش المياه لمدة تزيد عن 10 دقائق في المرة الواحدة (خاص بالطرازات التي لا يتوافر بها جهاز TSS)

## إيقاف تشغيل الجهاز

- 1 اضغط مفتاح بدء التشغيل على الوضع (OFF/0).
- 2 اضغط على مشغل مسدس الرش وقم بتصريف الضغط المتبقي داخل الخرطوم.
- 3 شغل مقبض أمان مسدس الرش (D).

## إعادة التشغيل

- 1 حرر مقبض الأمان (D).
- 2 اضغط على مشغل مسدس الرش وقم بتصريف الهواء المتبقي داخل الخرطوم.
- 3 اضغط مفتاح بدء تشغيل على الوضع (ON/1).

## معلومات الضبط (شكل 3)

## ضبط فوهة الرش

(خاص بالطرازات المزودة بهذه الخاصية)

- يتم ضبط تدفق المياه عبر تعديل الفوهة (E).

## ضبط المنظف

(خاص بالطرازات المزودة بهذه الخاصية)

- يتم ضبط تدفق المنظف باستخدام المنظم (F).

## ضبط ضغط المنظف

اضبط الفوهة القابلة للتعديل (E) على الوضع " - " للحصول على المنظف بالضغط المناسب (خاص بالطرازات المزودة بهذه الخاصية)

## ضبط الضغط

(خاص بالطرازات المزودة بهذه الخاصية)

- يتم استخدام المنظم (G) لضبط الضغط. ويتم عرض قيمة الضغط على مقياس الضغط (في حال تثبيته).

## معلومات حول استخدام الجهاز (شكل 4)

## عناصر التحكم

- مفتاح بدء التشغيل (H).

اضبط مفتاح بدء التشغيل على الوضع (ON/1) من أجل:

- a) بدء تشغيل المحرك (في الطرازات التي لا يتوافر بها جهاز TSS)
- b) ضبط المحرك وإعادةه لبدء التشغيل (في الطرازات التي يتوافر بها جهاز TSS)
- إذا كان هناك نور دليلي على مفتاح بدء التشغيل، فينبغي أن يضىء.
- إذا كانت الإعدادات "منخفض/مرتفع" متوافرة، فقم باستخدامها كما يلي:

- منخفض: غسيل ضغط منخفض

- مرتفع: غسيل ضغط مرتفع

- اضغط مفتاح بدء التشغيل على الوضع (OFF/0) لإيقاف تشغيل الجهاز.

- إذا كان هناك نور دليلي على مفتاح بدء التشغيل، فينبغي أن يختفي.

- ذراع التحكم في رشاش المياه (I).

## ⚠ تحذير - خطر!

أثناء التشغيل، يجب وضع الجهاز على سطح ثابت ومتمين كما هو مبين في الشكل 4.

- يحظر إجراء جميع التعديلات على الجهاز. ويعتبر إجراء أية تعديلات على الجهاز سبباً في إلغاء إقرار التوافق وإبراء ذمة المصنّع من جميع المسؤوليات بموجب القانون المدني والجنائي.

### المكونات الرئيسية

- B1 فوهة الرشاش القابلة للتعديل
- B2 ذراع
- B3 مسدس رش مع مقبض أمان
- B4 كابل مصدر الطاقة مع قابس
- B5 خرطوم الضغط المرتفع
- B6 خزان المنظف (في الموديلات المزودة بهذه الخاصية)

### الملحقات (إذا كانت موجودة في عبوة التوريد - انظر شكل 1)

- C1 أداة تنظيف الفوهة
- C2 قطعة الفوهة الدوارة
- C3 المقبض
- C4 الفرشاة
- C5 بكرة الخرطوم

### أجهزة الأمان

#### ⚠ تحذير - خطر!

لا تقم بالعبث أو بتعديل إعداد صمام الأمان.

- صمام الأمان و/أو صمام تحديد الضغط. يعتبر صمام الأمان هو صمام تحديد الضغط، وعند تحرير مشغل مسدس الرش، يتم فتح الصمام وتعيد المياه دورتها عبر مدخل المضخة أو يتم تصريفها على الأرض.
- صمام منظم (D1 في حال تثبيته). في حال تجاوزت درجة حرارة المياه الدرجة المحددة من قبل المصنّع، يقوم الصمام المنظم بتصريف المياه الساخنة وسحب كمية من المياه الباردة مساوية لكمية المياه التي تم تصريفها، حتى يتم الوصول إلى درجة الحرارة الصحيحة.
- مقبض الأمان (D): يمنع الرش العرضي للمياه.

### التركيب (شكل 2)

#### التجميع

#### ⚠ تحذير - خطر!

يجب القيام بجميع عمليات التركيب والتجميع مع فصل الجهاز من

مصدر الطاقة الرئيس.

يظهر تسلسل عملية التجميع في الشكل 2.

### تجميع الفوهة الدوارة

(خاص بالطرازات المزودة بهذه الخاصية)

توفر قطعة الفوهة الدوارة قوة غسيل أكبر. إلا أن استخدام الفوهة الدوارة قد يتسبب في تخفيض الضغط بنسبة 25% بالمقارنة بالضغط الصادر من الفوهة القابلة للتعديل، ومع ذلك توفر قطعة الفوهة الدوارة قوة غسيل أكبر بسبب الحركة الدورانية لرشاش المياه.

### التوصيل الكهربائي

#### ⚠ تحذير - خطر!

تأكد من تطابق جهد وتردد (فولت-هرتز) مصدر التيار الكهربائي مع الجهد والتردد المحدد على لوحة بيانات الجهاز (شكل 2). وينبغي توصيل الجهاز فقط مع مصدر الطاقة الرئيس المزود بتوصيل أرضي مناسب وقاطع أمان تفاضلي (30 ميلي أمبير) لقطع مصدر الكهرباء في حال حدوث تماس كهربائي.

### استخدام كابلات التوصيل

يرجى استخدام الكابلات التي تتصف بمستوى الحماية "IPX5"، وينبغي أن يتناسب المقطع العرضي لكابل التوصيل مع طوله، أي كلما زاد طوله، ينبغي أن يزيد مقطعه العرضي. راجع الجدول 1.

### توصيل مصدر المياه

#### ⚠ تحذير - خطر!

يجب استخدام المياه النظيفة والمرشحة فقط مع مدخل المضخة. وينبغي أن تتساوى كمية المياه الواردة من صنبور إدخال المياه مع سعة المضخة.

ينبغي وضع الجهاز بالقرب من نظام مصدر المياه قدر الإمكان.

### نقاط التوصيل

- مخرج المياه (المخرج)
- مدخل المياه مع مرشح (المدخل)

### التوصيل بمصدر المياه الرئيس

يمكن توصيل الجهاز بمصدر المياه الرئيس مباشرة بشرط تثبيت خرطوم المصدر مع صمام مانع الدفق الخلفي وفقاً للوائح التنظيمية الحالية المطبقة. ويرجى التأكد من أن سمك الخرطوم لا يقل عن 13 ملم وأنه مقوى.



علامة -E1 تشير إلى حظر التخلص من الجهاز باعتباره أحد النفايات المنزلية، إنما يمكن تسليمه للتاجر عند شراء جهاز جديد. ويحظر استخدام الأجزاء الإلكترونية والكهربائية للجهاز في أغراض غير مناسبة حيث إنها تحتوي على مواد تنطوي على مخاطر صحية.

### الرموز

الرمز E2 - يشير إلى أن الجهاز مصمم خصيصاً للاستخدام المهني، أي للأشخاص ذوي الخبرة المطلعين على الجوانب الفنية والتنظيمية والتشريعية ذات الصلة، والقادرين على تنفيذ العمليات اللازمة لاستخدام وصيانة الجهاز.

الرمز E3 - يشير إلى أن الجهاز مصمم خصيصاً من أجل الاستخدام غير المهني (المنزلي).

## المعلومات الفنية (شكل 1)

### الاستخدام المتصور

تم تصميم هذا الجهاز خصيصاً للاستخدام الشخصي من أجل تنظيف المركبات والآلات والقوارب وحجارة البناء وغيرها، وكذا إزالة الأوساخ المستعصية عبر استخدام المياه النظيفة والمنظفات الكيماوية بيولوجية التدرُّك. كما يمكن استخدام الجهاز في تنظيف محركات المركبة بشرط التخلص من المياه المتسخة وفقاً للوائح التنظيمية المطبقة.

- ضغط الماء الداخل: انظر لوح البيانات المثبتة على الجهاز
- ضغط الماء الداخل: الحد الأدنى 0.1 ميغا باسكال - الحد الأقصى 1 ميغا باسكال
- درجة حرارة محيط التشغيل: فوق 0 م°.
- الجهاز متوافق مع المعيار EN 60335-2-79/A1.

### المشغل

الرمز الموجود على الغطاء الأمامي يحدد المشغل المناسب لهذا الجهاز (مهني أو غير مهني).

### الاستخدام غير الصحيح

- يحظر استخدام الجهاز من قبل الأشخاص غير المدربين على ذلك أو من قبل الأشخاص الذين لم يقرؤوا ويفهموا التعليمات الواردة في دليل الاستخدام.
- يحظر وضع السوائل القابلة للاشتعال أو المتفجرة أو السامة داخل الجهاز.
- يحظر استخدام الجهاز في محيط يحتمل كونه مسمماً أو عرضة للانفجار.
- يحظر استخدام قطع الغيار غير الأصلية وكذا أية قطع غيار أخرى غير مخصصة لهذا الطراز الموجود بين أيدينا.

- يجب تنفيذ عملية صيانة و/أو إصلاح المكونات الكهربائية بواسطة فريق عمل مؤهل. خطر الحوادث
- يجب تصريف الضغط المتبقي قبل فصل خرطوم الوحدة. خطر الإصابة
- يرجى التأكد دائماً من إحكام البراغي وعدم وجود أجزاء تالفة أو مكسورة قبل استخدام الجهاز. خطر الحوادث
- يجب استخدام المنظفات التي لا تتسبب في تآكل مواد الطلاء الخاصة بخرطوم الضغط المرتفع/الكبل الكهربائي
- تأكد من ابتعاد جميع الأشخاص أو الحيوانات عن الجهاز بما لا يقل عن 16 ياردة (15 متر).

## معلومات عامة (شكل 1)

### استخدام دليل الاستخدام

يعد هذا الدليل جزءاً لا يتجزأ من الجهاز، وينبغي الاحتفاظ به للرجوع إليه مستقبلاً. ويرجى قراءة هذا الدليل جيداً قبل تركيب/استخدام الوحدة. وفي حال بيع هذه الجهاز، يجب على البائع تقديم هذا الدليل مع الجهاز إلى المالك الجديد.

### التسليم

يسلم هذا الجهاز وهو مركب بشكل جزئي في صندوق كرتوني. عبوة التوريد الموضحة في الشكل 1.

الوثائق المقدمة مع الجهاز

- A1 دليل الصيانة والاستخدام.
- A2 تعليمات السلامة.
- A3 إقرار التوافق.
- A4 اللوائح المنظمة للضمان

### التخلص من العبوة

المواد المكونة للعبوة ليست من النوع الملوث للبيئة، إلا أنه يجب إعادة تدويرها أو التخلص منها بما يتوافق مع التشريع المناسب في دولة الاستخدام.

### علامات السلامة

ينبغي الالتزام بالتعليمات التي تشير إليها علامات السلامة المثبتة على الجهاز.

تأكد من أن جميع علامات السلامة موجودة ومقروءة، وفي حال اكتشاف غير ذلك، قم بتثبيت العلامات البديلة في نفس موضعها الأصلي.

## تعليمات السلامة

- يرجى العلم بأن الجهاز الذي قمت بشرائه هو منتج متقدم تكنولوجياً تم تصميمه من قبل أحد رواد التصنيع الأوروبيين المتخصصين في مضخات الضغط المرتفع. وللحصول على أفضل أداء لهذه الوحدة، يرجى قراءة هذه النشرة بعناية، واتباع التعليمات الواردة فيها دوماً عند استخدام الجهاز. ونحن نهنئك على اختيارك الموفق ونتمنى لك عملية تشغيل ناجحة.

## قواعد السلامة/المخاطر الكامنة

## "محظورات" السلامة

- يحظر استخدام الجهاز مع السوائل سريعة الاشتعال أو السوائل السامة أو أية منتجات لا تتماشى مع التشغيل الصحيح للجهاز. خطر الانفجار أو التسمم.
- يحظر توجيه رشاش المياه إلى الأشخاص أو الحيوانات. خطر الاحتراق

- يحظر توجيه الرشاش إلى الإطارات أو صمامات الإطار أو غيرها من الأجزاء المعرضة للضغط، ينطوي استخدام رشاش الضغط المرتفع على مخاطر غالباً. ويحظر استخدام قطعة الفوهة الدوارة، ويجب جعل الرشاش دائماً على بعد 30 سنتيمتر على الأقل أثناء عملية التنظيف. خطر الانفجار

## "ضروريات" السلامة

- يجب حماية جميع موصلات الكهرباء من رشاش المياه. خطر تماس كهربائي
- يجب توصيل الجهاز فقط بمصدر طاقة مناسب تماشياً مع كافة اللوائح التنظيمية المطبقة. خطر الصدمة الكهربائية
- استخدام قاطع دائرة يعمل بالتيار المتبقي يوفر مزيد من الحماية للمشغل (30 ميلي أمبير). أما الطرازات المقدمة بدون قابس، فيجب تركيبها بواسطة فريق عمل مؤهل. ويجب استخدام أسلاك التوصيل الكهربائي المتعمدة مع مقياس الموصل المناسب.
- قد يتسبب الضغط العالي في ارتداد بعض الأجزاء، لذا يلزم ارتداء جميع الملابس والمعدات الواقية اللازمة لضمان سلامة المشغل. خطر الإصابة
- قبل مباشرة العمل على الجهاز، يرجى إزالة القابس. خطر البداية العرضية
- قبل الضغط على مشغل مسدس الرش، يرجى إمساك مسدس الرش بإحكام تحسباً لارتداده. خطر الإصابة
- يرجى الالتزام بمتطلبات شركة توريد المياه المحلية. فوفقاً للمعيار (BA) EN 12729، يمكن توصيل الجهاز فقط مع مصدر مياه الشرب الرئيس في حال تثبيت صمام مانع الدفق الخلفي مع أداة الصرف في خرطوم المصدر. خطر التلوث

- يحظر استخدام الجهاز خارج المنزل في حالة المطر. خطر التماس الكهربائي

- يحظر السماح للأطفال أو الأشخاص غير المؤهلين باستخدام الجهاز. خطر الإصابة

- يحظر لمس القابس و/أو المقبس باليد المبتلة بالماء. خطر الصدمة الكهربائية

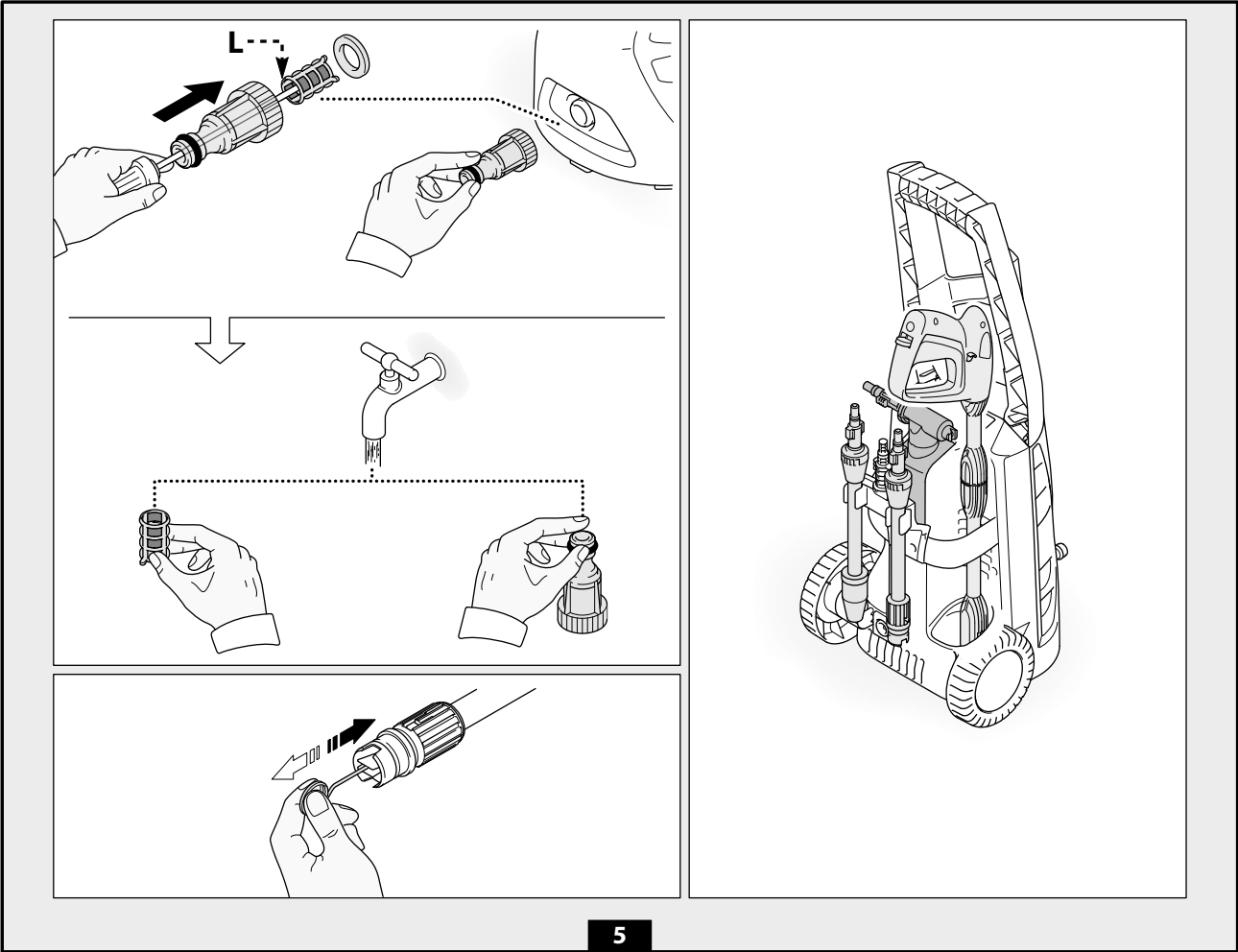
- يحظر استخدام الجهاز في حال تلف الكابل الكهربائي. خطر الصدمة الكهربائية والتماس الكهربائي

- يحظر استخدام الجهاز في حال تلف خرطوم الضغط العالي. خطر الانفجار

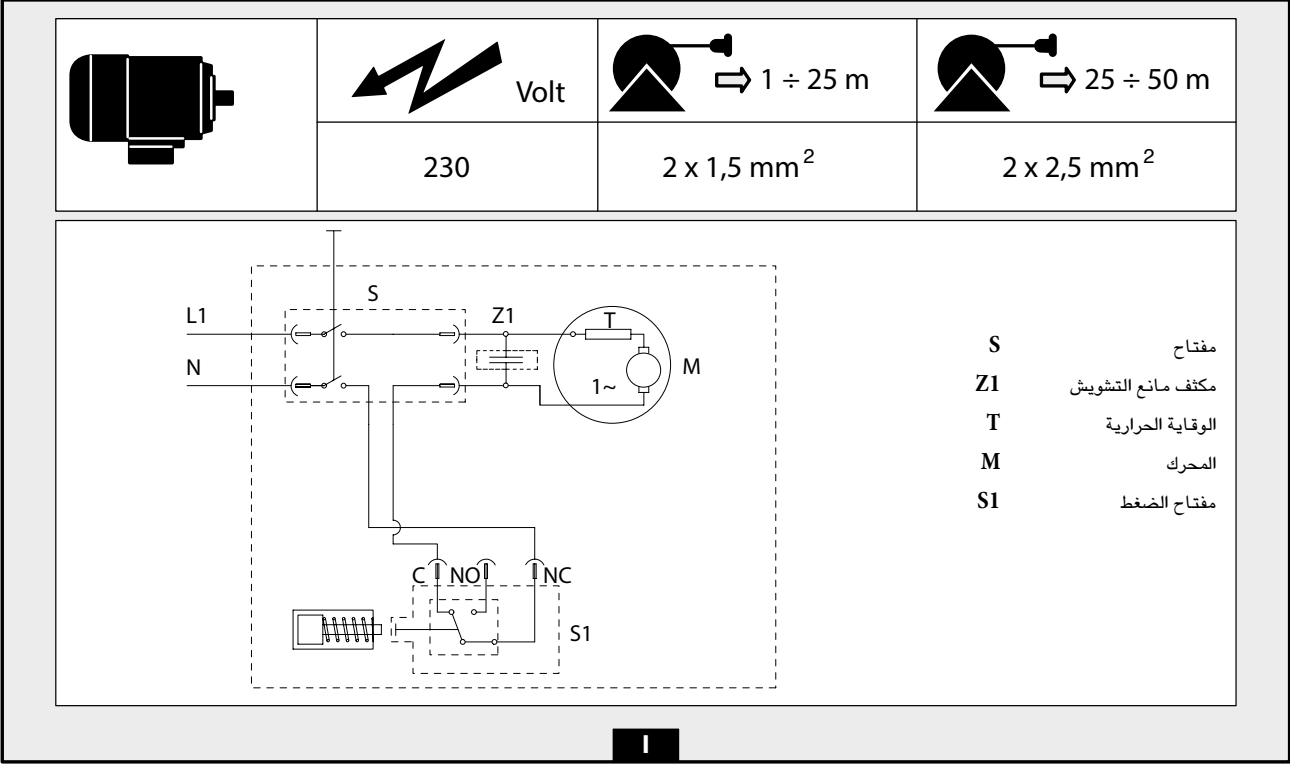
- لا تجعل مشغل مسدس الرش في وضع التشغيل باستمرار. خطر الحوادث

- تحقق من تثبيت لوحات البيانات على الجهاز، وفي حال عدم وجود تلك اللوحات، يرجى إبلاغ الموزع بذلك. ويحظر استخدام الوحدات التي لا يوجد بها تلك اللوحات، حيث يتعذر تعريفها وينطوى استخدامها على خطورة غالباً. خطر الحوادث

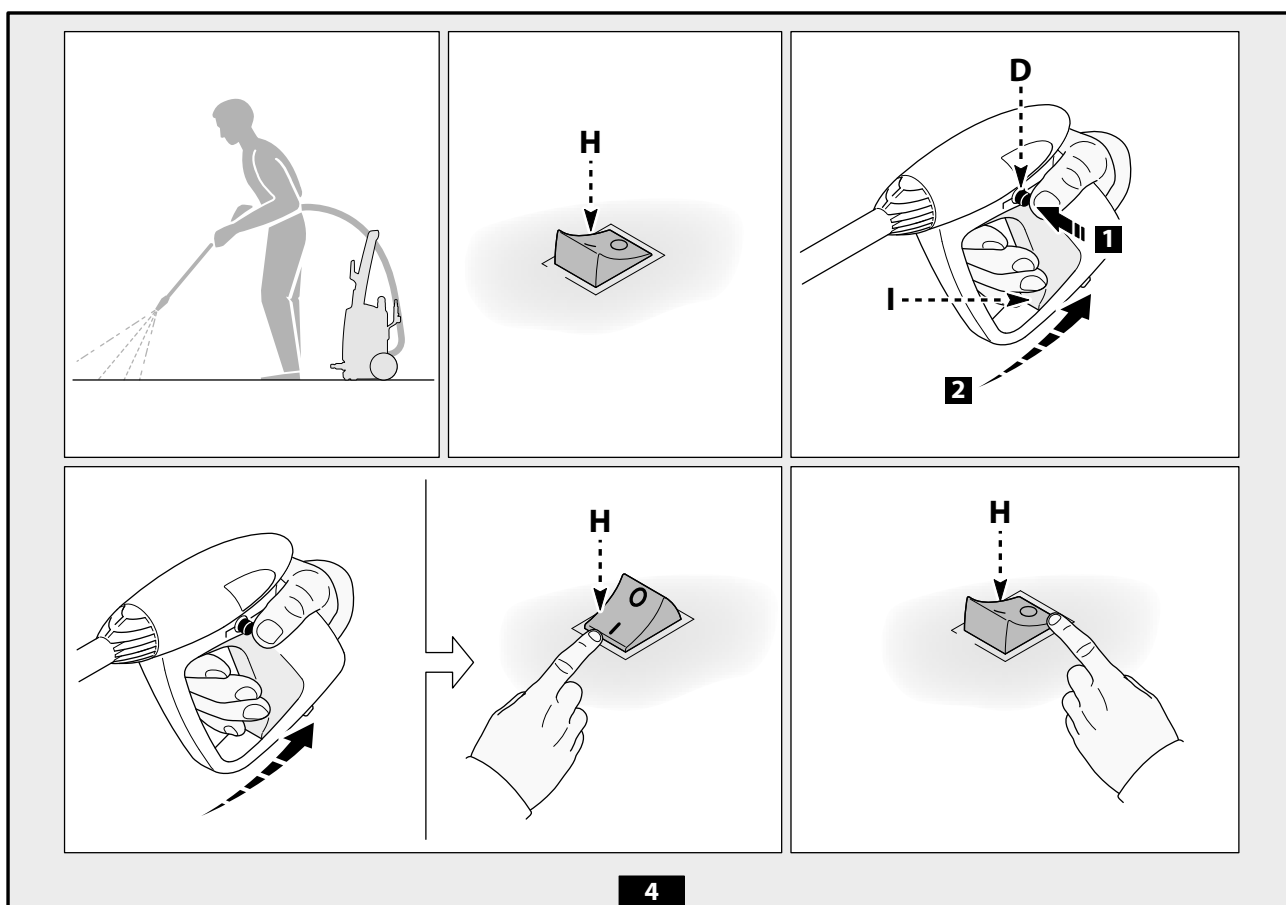
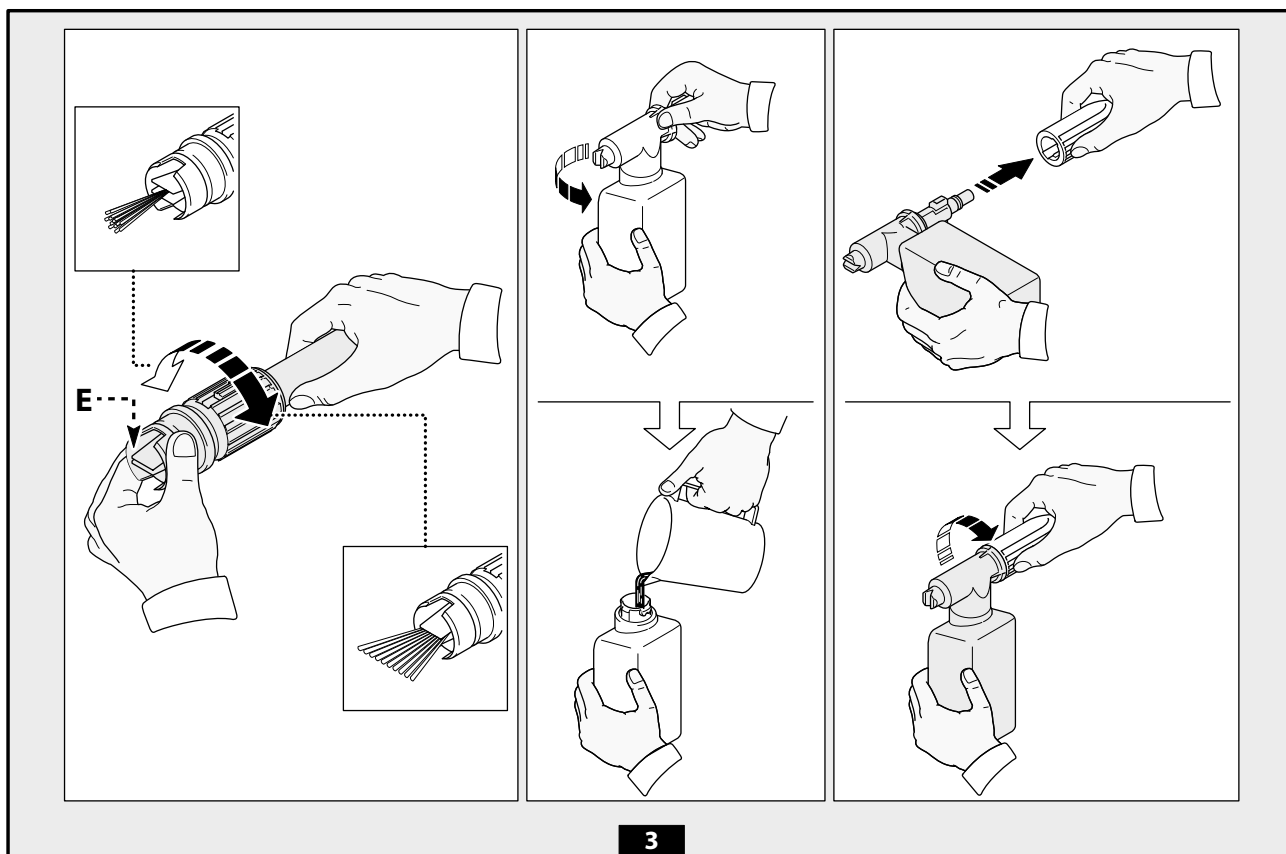
- يحظر العبث أو تعديل إعداد صمام الأمان أو أجهزة

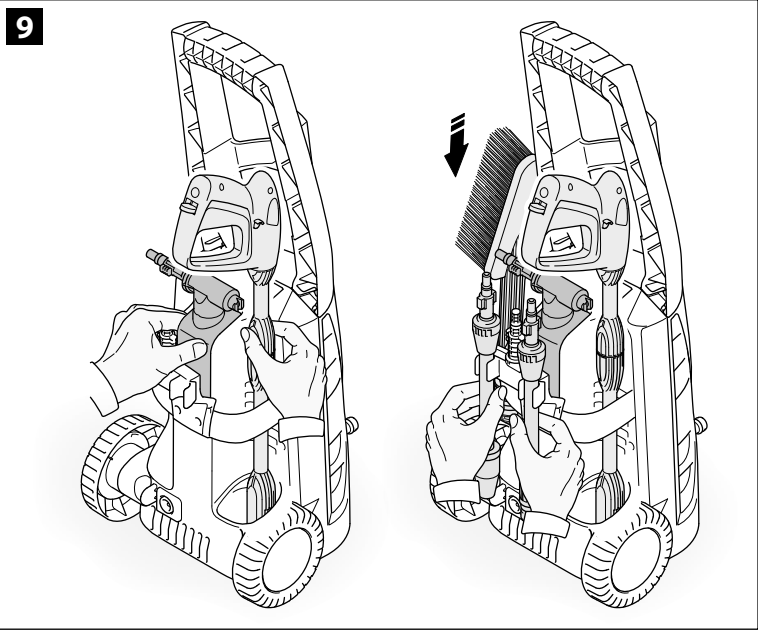
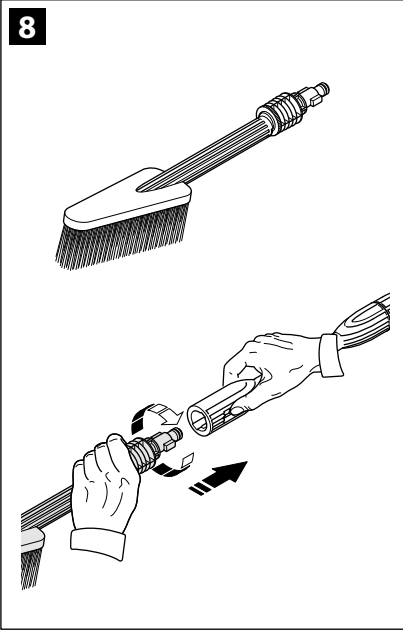
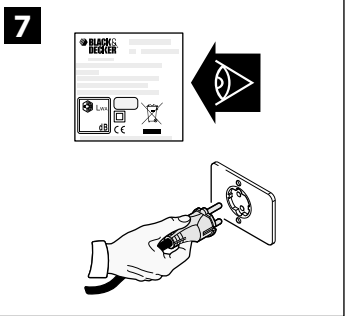
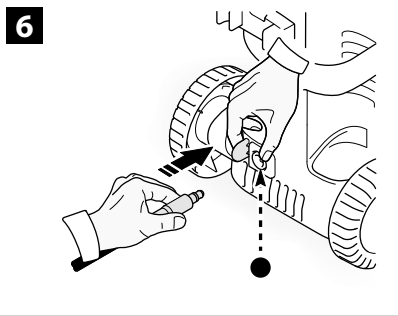
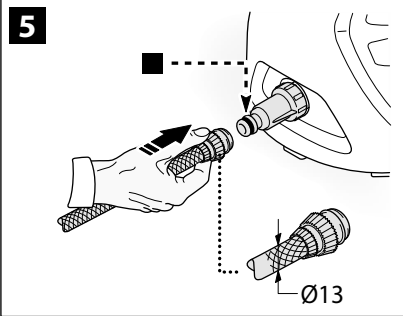
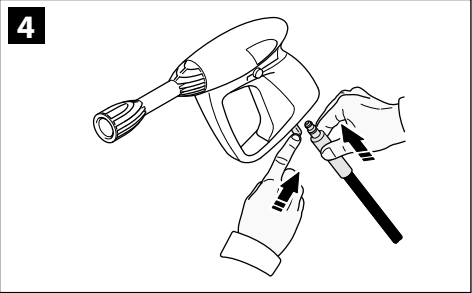
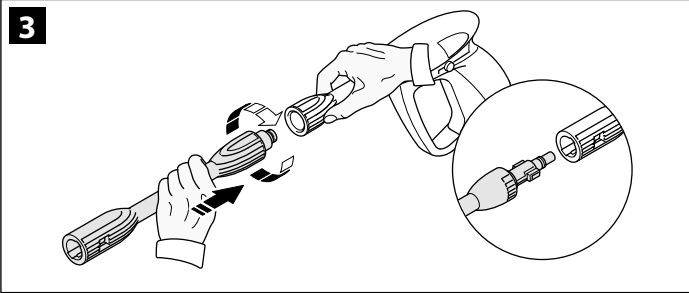
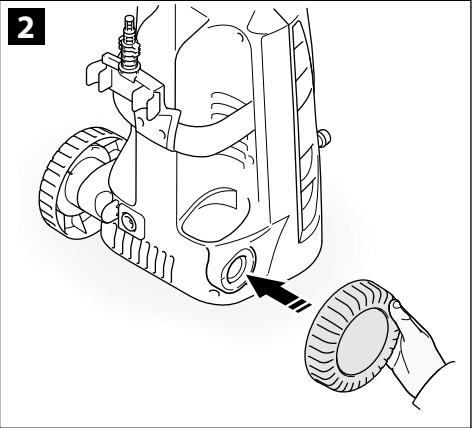
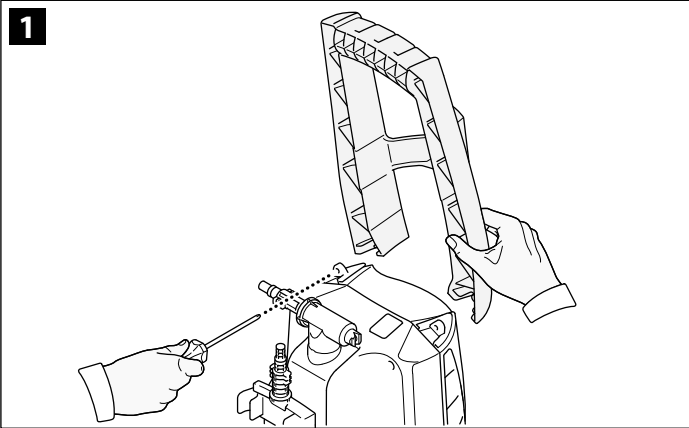


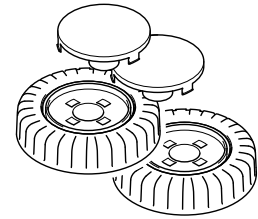
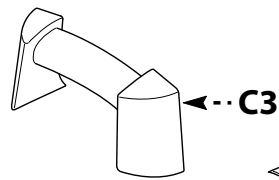
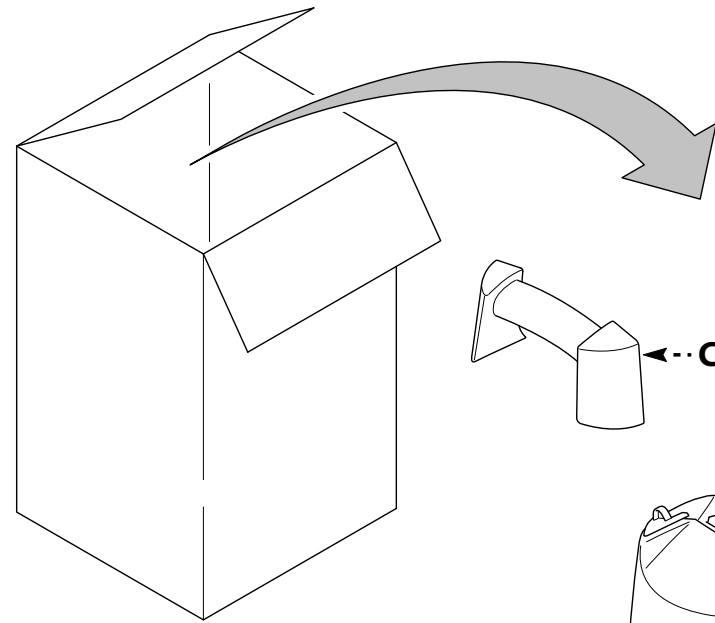
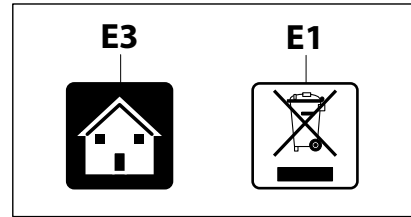
5



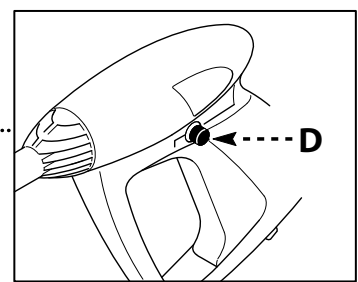
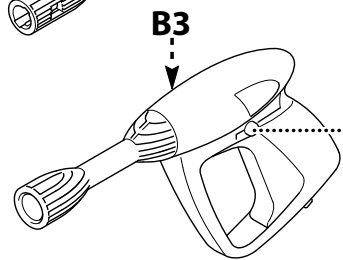
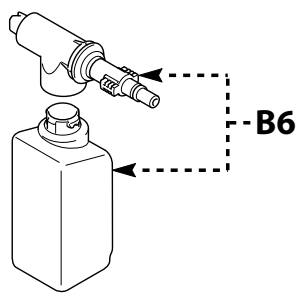
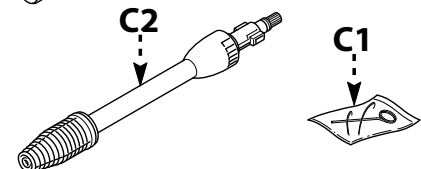
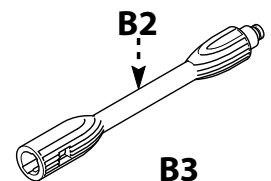
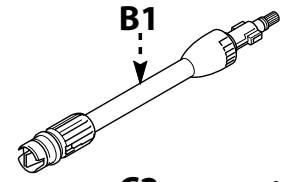
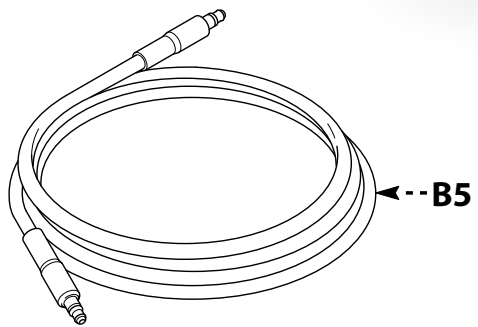
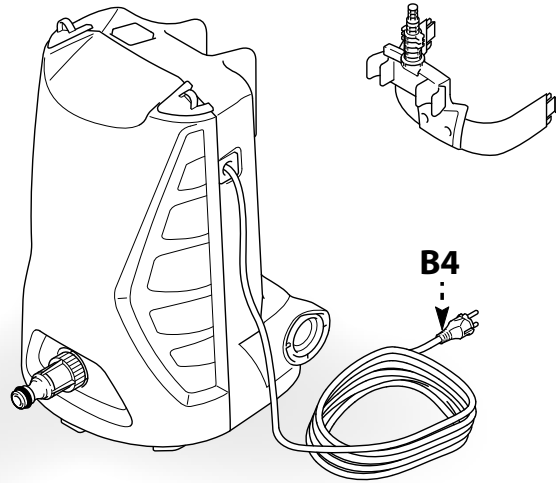
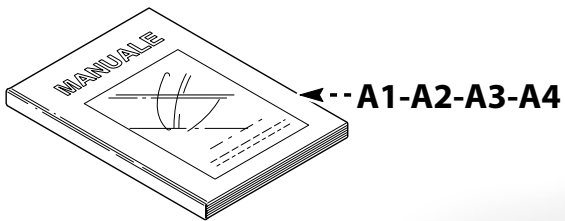
1







PW1300TDW



## Names & Addresses for Black & Decker Service Concessionaries

**ALGERIA:** SARL Outillage Corporation, After Sale Service Center-08, Rue Mohamed Boudiaf - Cheraga, Algiers, Algeria, Tel: +213 21 375131, Fax: +213-0-369667. **BAHRAIN:** Alfouz Services Co. WLL, P.O. Box 26562, Tubli, Manama, Tel: +973-17783562 / 17879987, Fax: +973-17783479. **EGYPT:** Anasia Egypt for Trading S.A.E, P.O. Box 2443, 9, Mostafa Refaat Street, Sheraton Heliopolis 11361, Cairo, Tel: +202-22684159, Fax: +202-22684169. **ETHIOPIA:** Seif Sherif Trade PLC -Arada Sub City, Kebele 01-02, Global Insurance Bldg., 2nd Flr. Room 43, P.O.Box 2525, Addis Ababa, Ethiopia, Tel: 00-251-11-1563968/ 1563969, Fax: 00-251-11-1558009. **IRAQ:** Financial Links, Kazzaz Building Arasat Al-Hindia Block No: 629 Street: 31 Building No: 1 Baghdad - Iraq, Tel: +964 (0)780 195 2223 /+ 964 (0)781 3763044. **JORDAN:** Bashiti Hardware, 93 King Abdullah 2nd St., Opp ELBA House, P.O. Box 3005, Tel: +962-6-5349098 ext.11, Fax: +962-6-5330731. **KENYA:** Leading Concepts, P.O. Box: 40877-00100, Nairobi, Kenya. Tel: +254 20 690 5000, Fax: +254 20 690 5111. **KUWAIT:** Al Omar Technical Co., P.O. Box 4062, Safat 13041, Kuwait, Tel: +965-24848595 / 24840039, Fax: +965-24845652. **LEBANON:** Aces Service Centre, P.O. Box 90-102, Nahr El Mot, Seaside Highway, Pharaon Building, Beirut. Tel: 00961-1-898989, Fax: 00961-1-245880. **LIBYA:** Homeworld Co., Building No.5, Senidal St., Amr Ibn Elaas Road, Benghazi, Libya. Tel: 00218-61-9094183. Service Center1 - Benghazi: Tel: +218-061-3383994, Fax: +218-092-7640688, Service Center2 - Tripoli: Tel: +218-021-3606430, Fax: +218-092-6514813. **MALTA:** John G Cassar Ltd. 36-Victory Street, Qormi QRM 06, Malta. Tel: +356-21493251, Fax: +356-21483231. **MAURITIUS:** J.M. Goupille & Co. Ltd., Rogers Industrial Park 1, Riche Terre, Mauritius, Tel: +230 206 9450/ +230 207 1700, Fax: +230 206 9474/ +230 248 3188. **MOROCCO:** UATS, No. 37, Lotissement KADIRIA, km 10 Route Eljadida - LISASSFA, Casablanca, Morocco, Tel: +212 522652602, Fax: +212522652603. **NIGERIA:** Dana Electronics Ltd. (Lagos) 116/ 120, Apapa Oshodi Express Way, Isolo, Lagos, Nigeria. Tel: +234-17431818/ +234-8037767774/ +234-8057445477. (Abuja) 18, A.E. Ekuinam Street, Off Obsfemi Awolowo Road, Utako, Abuja, Nigeria. Tel: +234-8032276101/ +234-8037767774. (Kano) 9A - Mai Malari Road, Bompai, Kano, Nigeria. Tel: +234-8053294947/ +234-8037767774. **OMAN:** Oman Marketing & Service Co. (Omasco), P.O. Box 2734, Behind Honda Showroom, Wattayah, Oman, Tel: +968-24560232/ 24560255, Fax: +968-24560993. Oman Marketing & Service Co. (Omasco), Al Ohi, Sohar, Oman, Tel: +968-26846379, Fax: +968-26846379. Oman Marketing & Service Co. (Omasco) - Sanaya, Salalah, Oman, Tel: 00968-23212290, Fax: +968-23210936. **PAKISTAN:** Ammar Service & Spares - 60-Bank Arcade, Serai Road, Karachi, Pakistan, Tel: 0092-21-32426905, Fax: 0092-21-32427214. **QATAR:** Al Muftah Service Centre, Al Wakrah Road, P.O. Box 875, Doha, Qatar. Tel: 00974-4650880/ 4650110/ 4446868, Fax: 00974-4441415/ 4662599. **SAUDI ARABIA:** (Dammam) Al Bawardi Tools & Hardware, P.O. Box 112, Dammam, Tel: (966-3) 8330780 Ext.24 / 8348585 Ext. 24 / +966-3-8335555, Fax: (966-3) 8336303. Fawaz Ebrahim Al Zayani Trading Est. P.O. Box 76026, Al Raka #31952, Tel: +966-3-8140914, Fax: +966-3-8140824. (Al Hassa) Al Bawardi Tools & Hardware, P.O. Box 16905, Jeddah 21474, Tel: (966-2) 6444547 / 6439035 / 6456095, Fax: (966-2) 6439024. (Jeddah) Banaja Trading Co. Ltd, P.O. Box 366, Jeddah-21411, Tel: +966-2-6511111, Fax: +966-2-6503668. (Riyadh) Al Bawardi Tools & Hardware, P.O. Box 68, Riyadh 11411, Tel: (966-1) 4484999, Fax: (966-1) 4487877. Banaja Trading Co. Ltd, P.O. Box 566, Riyadh-11421, Tel: 00966-1-4124444, Fax: +966-1-4033378. **SOUTH AFRICA:** Benray Tool Wholesalers C.C., 460 Koeberg Road, Cape Town, South Africa, Tel: 021 551 7244, Fax: 021 552 6395. Stanley Black & Decker - RSA, 1199 Winze Drive Stormill Ext 9 Roodepoort, Tel: (2711) 472 0454, Fax: (2711) 472 0482. **TUNISIA:** Société Tunisienne De Manutention - Rue de la Physique, Nouvelle Zone Industrielle de Ben Arous-2013 Tunisie, Tel: +216 79 389687 Fax:+216 71 385154 ext 216. **UGANDA:** Anisuma Investment and Services Ltd., J R complex, Ware House No.5, Plot No 101, 3rd Street Industrial Area, Jinja Road, Kampala, Tel: +256-414237106. **UAE: (Abu Dhabi)** Galaxy Equipment Trading, Madinath Zayed (Baada Zaid), Abu Dhabi, P.C. 58910, Tel: +971-2-8844279, Fax: +971-2-8844297. Light House Electrical, P.O. Box 120, Abu Dhabi, Tel: +971-2-6726131, Fax: +971-2-6720667. (Al Ain) Zillion Equipment and Spare Parts Trading LLC, P.O. Box 19740, Opp. Bin Sadal/Trimix Redymix Sanaiya, Al Ain. Tel: +971-3-7216690, Fax:+971-3-7216103 (Dubai) Black & Decker (Overseas) GmbH, P.O. Box 5420, Dubai, Tel: +971-4-8127400/ 8127406, Fax: +971-4-2822765. (Musaffah) Light House Electrical, P.O. Box 120, Abu Dhabi, Tel: +971-2-5548315, Fax: +971-2-5540461. (Sharjah) Mc Coy Middle East LLC, P.O. Box 25793, Sharjah, Tel: +971-6-5395931, Fax: +971-6-5395932. (Ras Al Khaimah) Mc Coy Middle East LLC, P.O.Box 10584, Ras Al Khaimah, Tel: +971-7-2277095, Fax: +971-7-2277096. **YEMEN: (Aden)** Middle East Trading Co. Muala St., Tel: +967 2 222670, Fax: +967 2 222670. (Sana'a) Middle East Trad. Co. Ltd., P.O. Box 12363, Hayel Street, Sana'a. Tel: +967-1-204201, Fax: +967-1-204204. (Taiz) Middle East Trading Co. (METCO), 5th Flr.Hayel Saeed Anam Bldg, Al-Mugamma St. Taiz, Yemen, Tel: +967-4-213455, Fax: +967-4-219869.







## WARRANTY REGISTRATION CARD

YOUR NAME/ الإسم .....

.....

YOUR ADDRESS العنوان .....

.....

.....

.....

POSTCODE الرمز البريدي .....

DATE OF PURCHASE تاريخ الشراء .....

DEALER'S NAME & ADDRESS/ إسم و عنوان البائع .....

.....

.....

A large, empty rounded rectangle with a thin black border, intended for the user to write the product model number.

PRODUCT MODEL NO. PW1400TDK

