

This Owner's Manual is provided and hosted by [Appliance Factory Parts](#).



FISHER & PAYKEL DD24DTX6HI1 Owner's Manual

[Shop genuine replacement parts for FISHER & PAYKEL
DD24DTX6HI1](#)



[Find Your FISHER & PAYKEL Dishwasher Parts - Select From 34 Models](#)

----- Manual continues below -----

FISHER & PAYKEL

DISHDRAWER™ DISHWASHER

DD24DTX6HI1 FP US CA

PRODUCT CODE: 82163-A

PARTS MANUAL

US CA

INTRODUCTION

BRAND	VOLTAGE	MODEL	PRODUCT CODE
Fisher & Paykel	110-120VAC 60Hz	DD24DTX6HI1 FP US CA	82163-A

MODELS

The models covered by this manual are listed on the front cover. The information detailed in this manual is subject to change without notice. The latest version is indicated by the reprint date and replaces any earlier editions.

KIT PARTS

Where a part number is shown against the descriptions for kit components, they are also available as separate items. In addition, some parts may be supplied with these kits that are not available as separate items, and are therefore either not listed, or a part number is not shown against the part description in this manual.

PARTS LIST KEY

NI	As a part reference, indicates the part is not illustrated on the diagram.
NOT USED	As a part number, indicates the diagram part reference is not used in this manual.
NS	As a part number, indicates the part is not servicable.

US

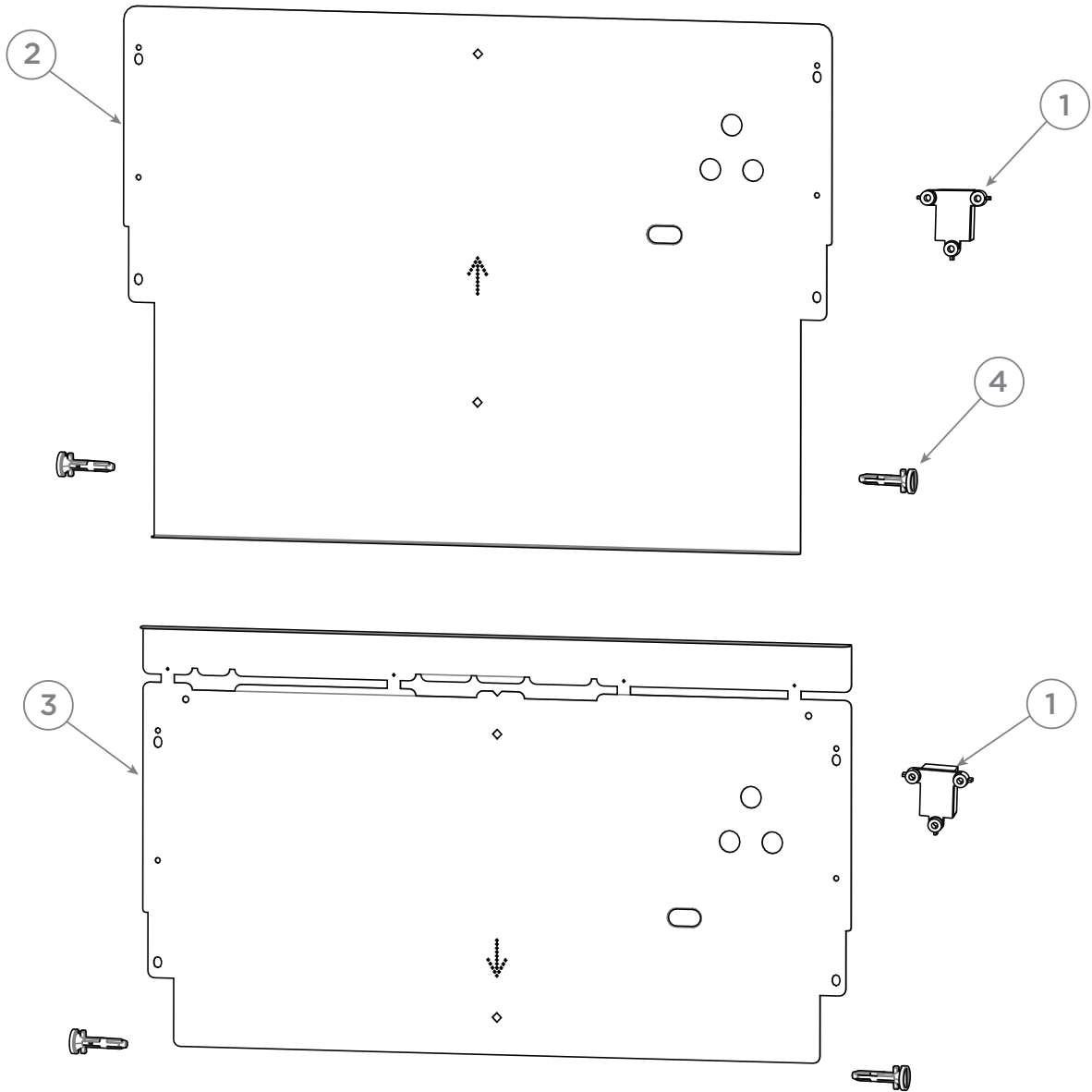
Fisher & Paykel Appliances Inc.
695 Town Center Drive, Suite 180
Costa Mesa.
CA 92626-1902
USA

Customer Care: 1-888-936-7872
Fax: (714) 372-7003
Email: usa.customer care@fisherpaykel.com

CONTENTS

Introduction	1
Front panels/controls	3
Cabinet components	5
Lid & link components	9
Tub components	11
Basket & rack components	17
Installation components	21

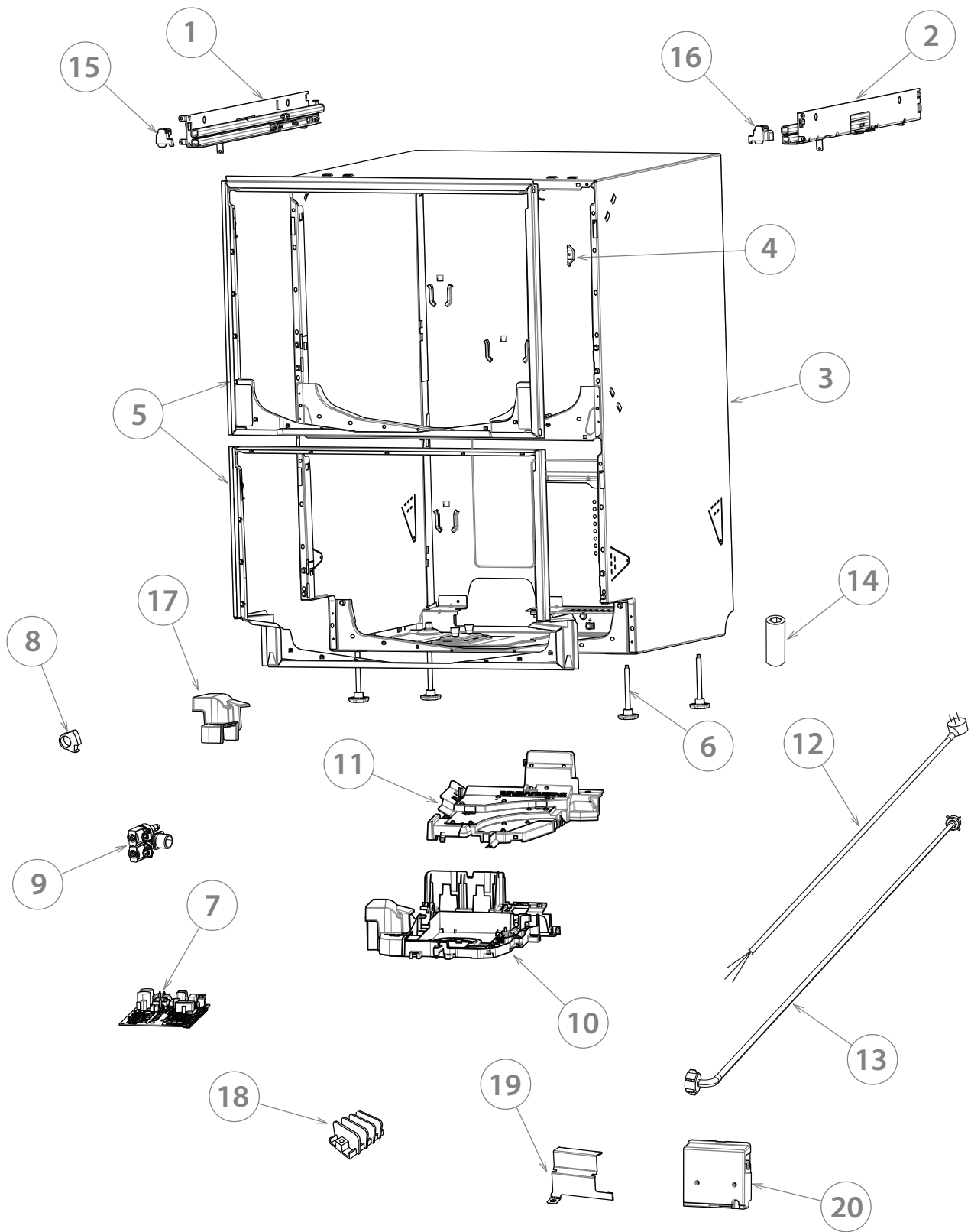
FRONT PANELS/CONTROLS



FRONT PANELS/CONTROLS

REFERENCE	PART NUMBER	PART DESCRIPTION
1	512054P	MOD KNOCK SENSOR 525 P9 SP
NI	528782P	SCREW WS 8X5/8 TWINFST (PKT10)
2	512845	KIT SHIELD INT UPR DD609T
3	512844	KIT SHIELD INT LWR DD609
4	515471	PIN DOOR DD6010

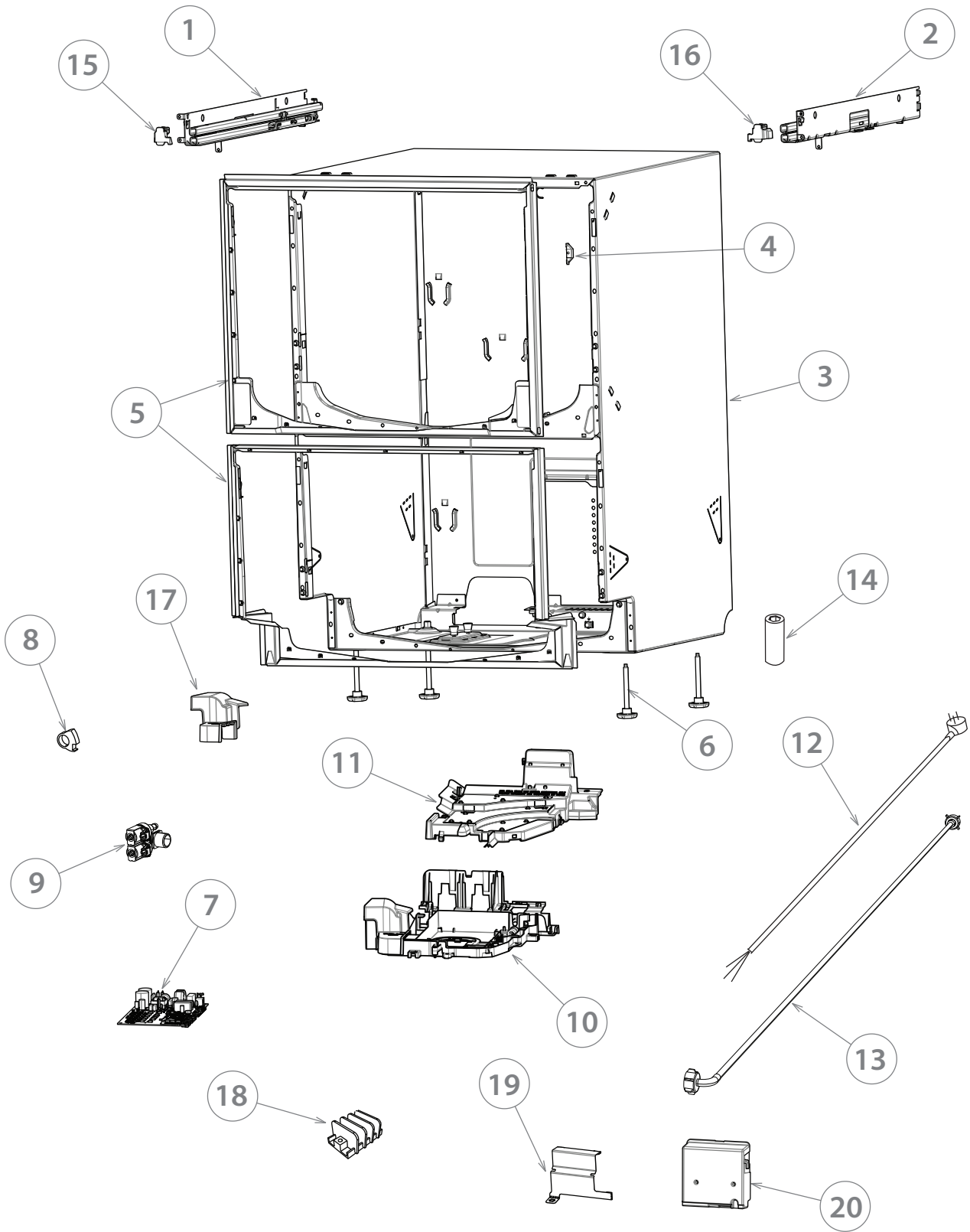
CABINET COMPONENTS



CABINET COMPONENTS

REFERENCE	PART NUMBER	PART DESCRIPTION
1	515110	SLIDE ASSY LH DD6010
2	515111	SLIDE ASSY RH DD6010
NI	556607P	SCREW MC M5X10 TAPTITE (PKT 10)
3	518622	KIT REPLACE CHASSIS DD6010 SP
	Includes 525968	MOUNT LINK TOP
	Includes	CHASSIS ASSY DD6010
	Includes	SHT INSTR REPLACE CHASSIS PH10
	Includes	TAB TOP (2)
	Includes	INSTALL TAB TTA
	Includes	INSTALL TAB TTB
	Includes	TRIM UPPER COMOULD ASSY
	Includes	TRIM LOWER COMOULD ASSY
	Includes 524568	3 DEGREE PRISM (2)
	Includes 528941	FOOT (4)
4	524568	3 DEGREE PRISM
5	522993	KIT TRIMSEAL DD60DT
	Includes	TRIM DDTALL COMOULD
	Includes	TRIM LOWER COMOULD
	Includes 524568	3 DEGREE PRISM (2)
	Includes	CORNER PLUG TRIM DD60T6 TALL
6	528941	FOOT
7	518591	KIT MC 525 PH10 120V DBL SP
8	525466	CLAMP HOSE HERBIE TYPE E
9	529730	VALVE INLET DOUBLE 605
10	518384	KIT HOUSING C. MODULE DD6010
	Includes	SEAL HEATSINK DD6010
11	515685	COVER MC ASSY DD6010 US
12	516113	FLEX MAINS DD2410 US
NI	556607P	SCREW MC M5X10 TAPTITE (PKT 10)
13	525970	HOSE INLET WIRSBO US
14	522158	KIT FOOT TOOLS 605
	Includes	FOOT TOOL 605
	Includes	FOOT TOOL 45MM 605

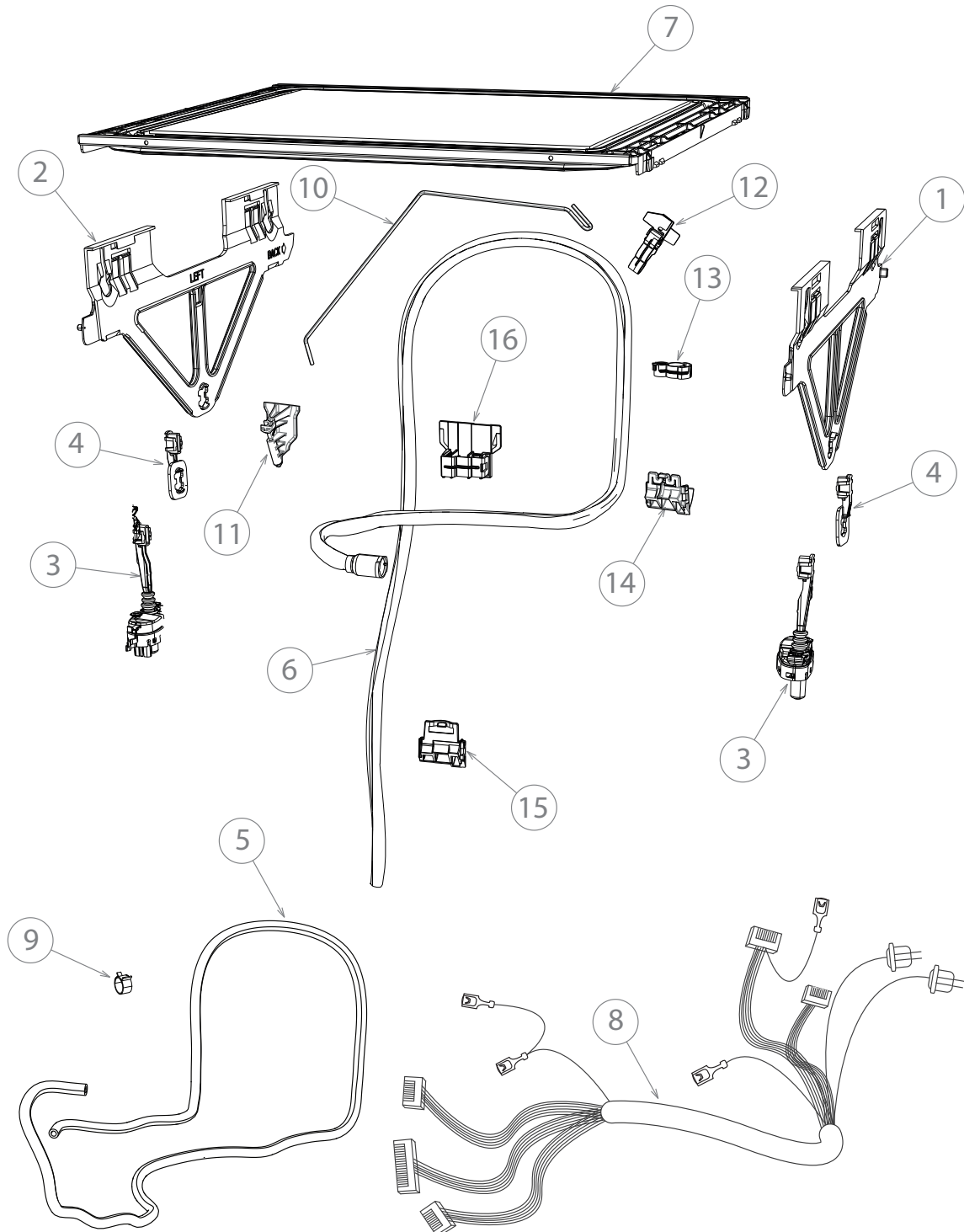
CABINET COMPONENTS



CABINET COMPONENTS

REFERENCE	PART NUMBER	PART DESCRIPTION
15	515491	CLIP TUB RELEASE RH DD6010
16	515492	CLIP TUB RELEASE LH DD6010
17	515624	COVER FILL VALVE DD6010
18	524600	TERMINAL BLOCK OK501/3
19	515586	SHIELD 4 MC DD2410
20	516114	AUX FLEX DD2410 US
21	515603	HOUSING HARD WIRING DD6010
NI	522443	INSULATION CHASSIS TOP TALL
NI	528819	INSULATION CHASSIS BOTTOM RH
NI	528820	INSULATION CHASSIS BOTTOM LH

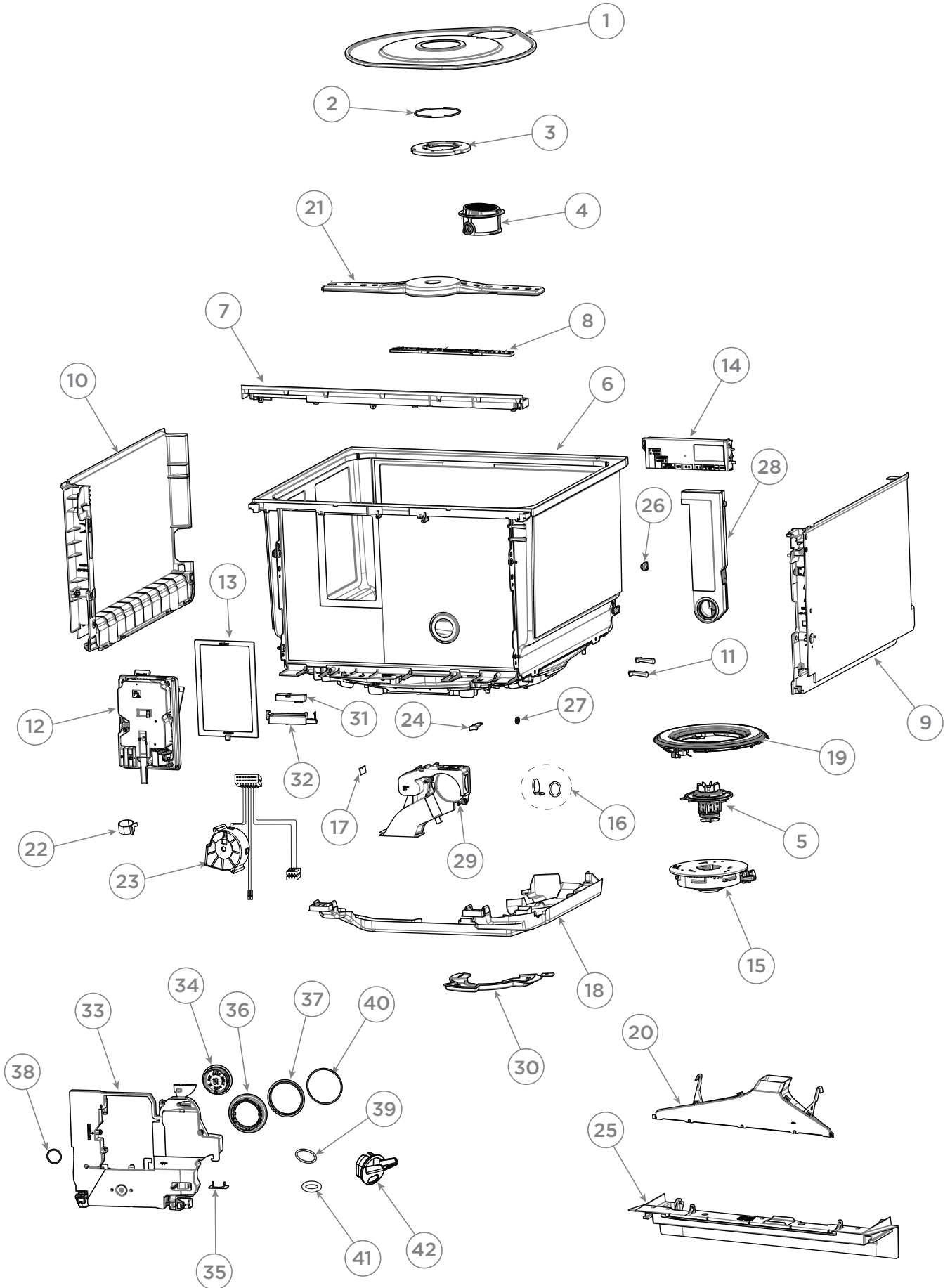
LID & LINK COMPONENTS



LID & LINK COMPONENTS

REFERENCE	PART NUMBER	PART DESCRIPTION
1	529969	LID YOKE RIGHT
2	529970	LID YOKE LEFT
3	522085	KIT LID ACTUATORS 605 (PKT 2)
4	522296P	KIT ADAPTOR LID YOKE TALL TUB (PKT 2)
5	518413	KIT DD FILL HOSE LOWER PH10
	518414	KIT DD FILL HOSE UPPER PH10
6	518415	KIT DD DRAIN HOSE UP SPARE P10
	Includes	O RING CUFF SOCKET UL REC
	Includes	HOSE DRAIN UPR ASSY SPARE PH10
	Includes	FLAP VALVE DRAIN 605
	518430	KIT DD DRAIN HOSE LW SPARE P10
	Includes	O RING CUFF SOCKET UL REC
	Includes	HOSE DRAIN LWR ASSY SPARE PH10
	Includes	FLAP VALVE DRAIN 605
NI	525798	KIT DRAIN HOSE EXTENSION 3.6M
	Includes	DRAIN HOSE EXTENSION (2)
	Includes 525482	CLIP WIRE DRAIN (4)
	Includes	DRAIN HOSE JOINER (2)
NI	527394	KIT DRAIN HOSE JOINER
	Includes 525482	CLIP WIRE DRAIN (2)
	Includes	DRAIN HOSE JOINER
7	529964P	LID ASSY 605
8	518416	KIT DD HARNESS LOWER PH10
	518417	KIT DD HARNESS UPPER PH10
9	528674	CLAMP HOSE TYPE 12232-17-4
10	514642	ROD LINK SUPPORT 6010
11	514643	BRACKET LINK SUPPORT DD6010
12	524541	CLIP LINK SUPPORT 608
13	524543	CLIP LINK CHASSIS SIDE
14	514914	CLIP LINK TUB RIB DD6010
15	524478	MOUNT LINK CHASSIS 608
16	524545	MOUNT LINK TOP 608
NI	515365	HARNESS LOWER LID VALVE DD6010
NI	515367	HARNESS UPPER LID VALVE DD6010

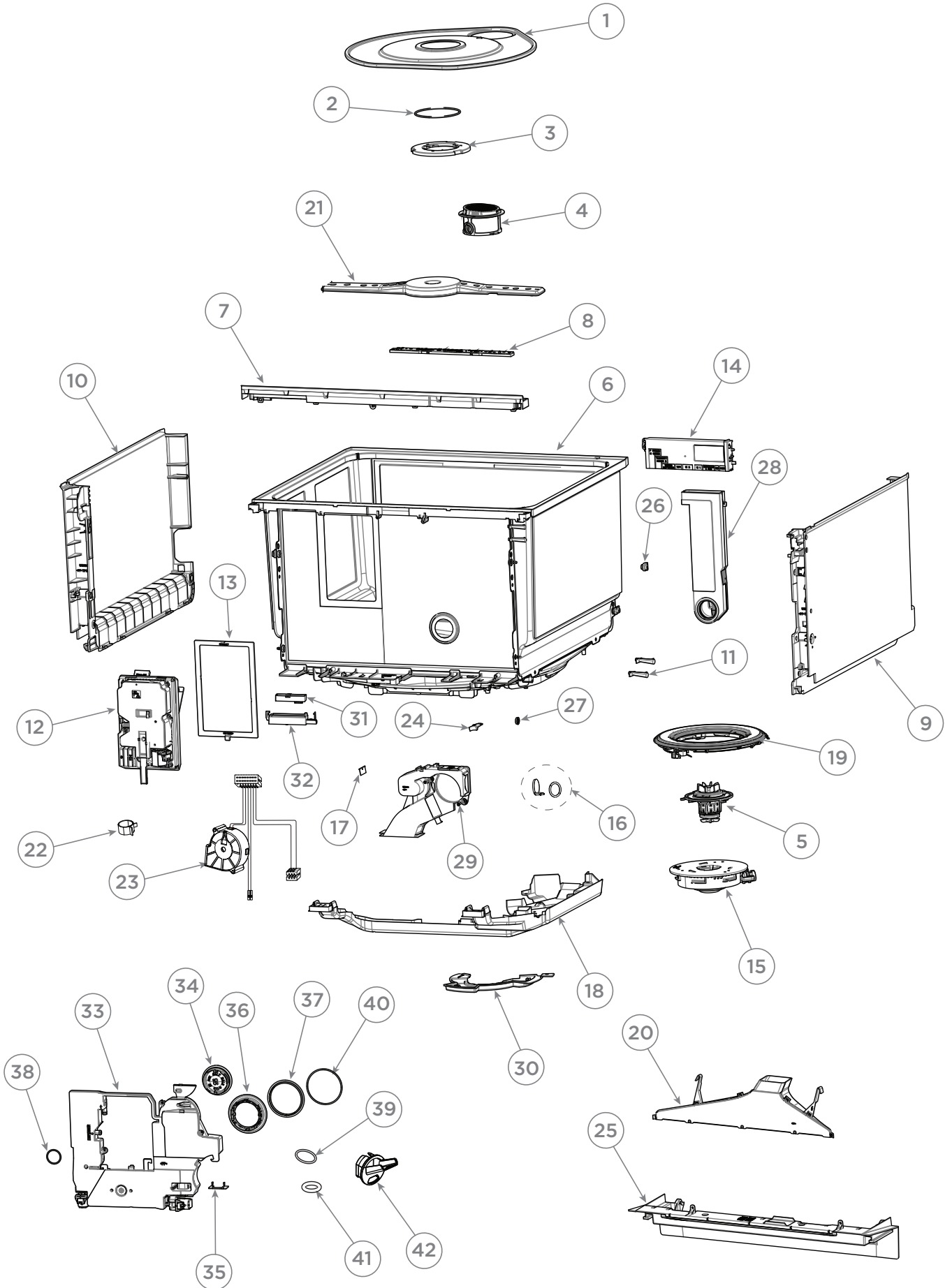
TUB COMPONENTS



TUB COMPONENTS

REFERENCE	PART NUMBER	PART DESCRIPTION
1	515915	FP SS ROLL UNLD DD6010
2	515609	FILTER PLATE O-RING DD6010
3	515589	FILTER PLATE LOCKNUT DD6010
4	515564	FILTER DD6010
	Includes	FILTER MICRO OVERMOULD DD6010
	Includes	FILTER DRAIN WELDED DD6010
5	514875P	KIT ROTOR ASSY DD6010 SP
6	518428	KIT TUB SS TALL DD6010
	518429	KIT TUB SS STD DD6010
7	518567	KIT USER INTERFACE DD6010
NI	556155P	SCREW M3.5X14 PANTX K35 (PKT 10)
8	514985P	PCBA UI FLANGE DD PH10
9	515179	TUB SIDE SUPPORT RH DD60T10
	514794	TUB SIDE SUPPORT RH DD6010 (STD)
10	515180	TUB SIDE SUPPORT LH DD60T10
	515079	TUB SIDE SUPPORT LH DD6010 (STD)
11	524569	3 DEGREE LIGHTPIPE PH8
12	518565	KIT DISPENSER PH10 (SP)
	Includes	DISPENSER DD6010
13	514887	DISPENSER TUB ADAPTER DD6010
NI	556155P	SCREW M3.5X14 PANTX K35 (PKT 10)
14	518593	KIT WASH CTRL PH10 US TW
NI	556155P	SCREW M3.5X14 PANTX K35 (PKT 10)
15	514876P	KIT STATOR ASSY DD6010 SP
	Includes	ELEMENT INNER SEAL DD6010
NI	556155P	SCREW M3.5X14 PANTX K35 (PKT 10)
16	522150	KIT FLAP VALVE/O RING 605 (PKT 2)
	Includes	FLAP VALVE DRAIN 605 (2)
	Includes	O RING CUFF SOCKET UL REC (2)
17	515252	FLAP VALVE FAN HOUSING DD6010
18	515473	COVER TUB BASE DD6010
NI	556155P	SCREW M3.5X14 PANTX K35 (PKT 10)
19	516079P	KIT ELEMENT & SEAL 6010 120V

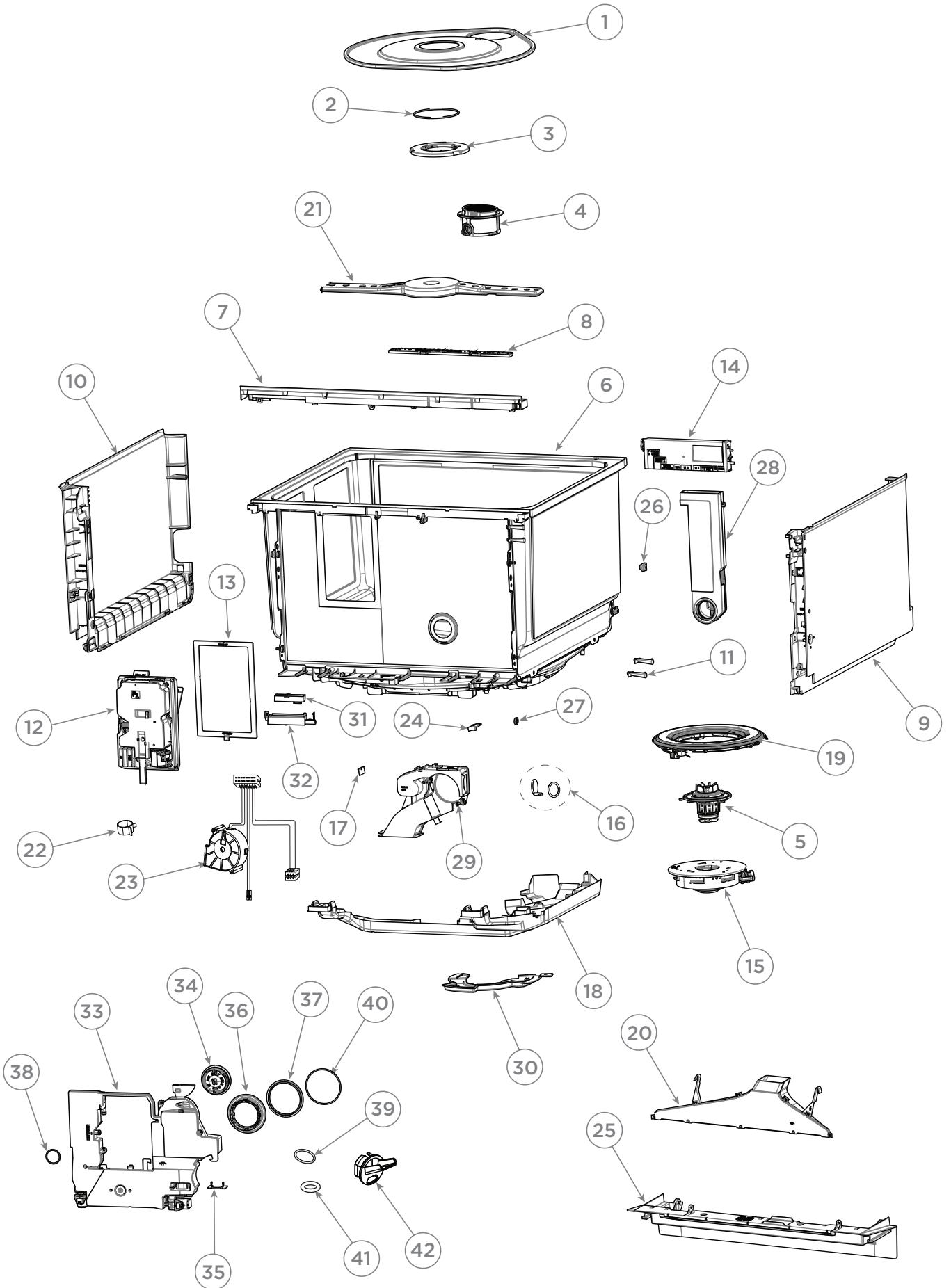
TUB COMPONENTS



TUB COMPONENTS

REFERENCE	PART NUMBER	PART DESCRIPTION
	Includes	ELEMENT OUTER SEAL DD6010
	Includes	ELEMENT INNER SEAL DD6010
	Includes	ELEMENT 6010 KAWAI 120V
20	522578	EXIT DUCT ASSY
21	515617	SPRAYARM VALUE ASSY DD6010
22	528674	CLAMP HOSE TYPE 12232-17-4
23	515747	HARNESS RINSE/ID FAN-DET DIV
24	528064	RETAINER FLAP FAN HOUSING 605
25	515692	COWLING ASSY BLACK DD6010
NI	611811P	SCREW ST 8X1/2 PAN SS (PKT10)
26	515734P	WASHER CUP M5 (PKT10)
27	515255P	BUSH SIDE SUPPORT (PKT10)
28	515241P	SS FAN KIT ASSY DD6010
	Includes	SS FAN HOUSING ASSY DD6010
	Includes	RUBBER NUT FAN DD6010
	Includes	SCREW M3X40 CSK
	Includes	FLAP VALVE FAN HOUSING DD6010
	Includes	GATE DRYFAN PH10.PRT
	Includes	VENTING CAP SEAL DD6010
	Includes	CAP VENTING
	Includes	RETAINER FLAP FAN HOUSING 605
29	514604	SS REAR VENT ASSY DD6010
	Includes	VENT REAR BOTTOM DD6010
	Includes	VENT REAR TOP DD6010
30	515573	ELEMENT MOTOR WIRE COVER DD601
NI	515370	HARNESS TURBIDITY DD6010
NI	515972	HARNESS HALL SENSOR DD6010
31	563774P	MOD WIFI GEA3 LITE SVC
32	518016	DD BRACKET WIFI
NI	515527	HARNESS WIFI DD6010

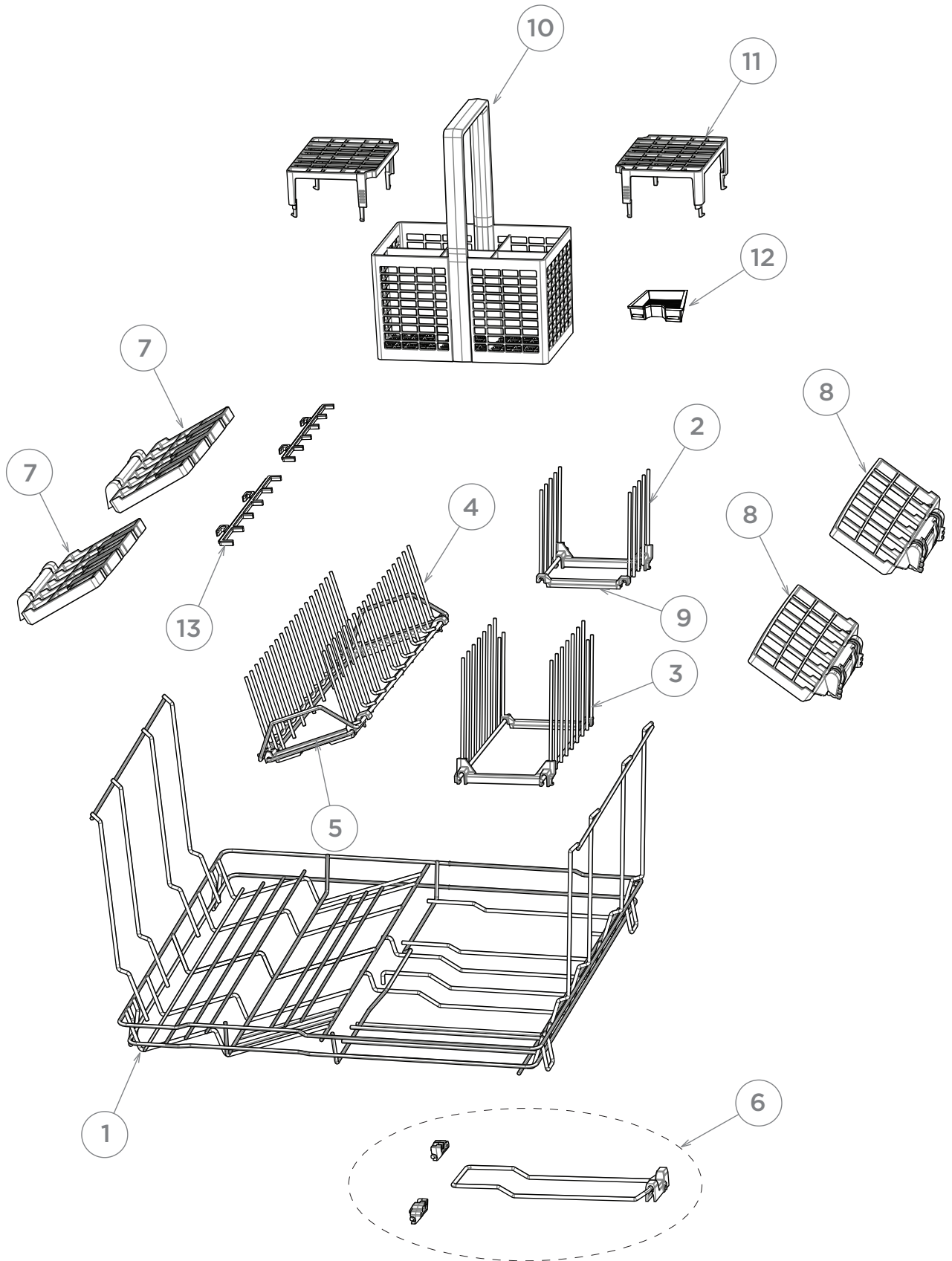
TUB COMPONENTS



TUB COMPONENTS

REFERENCE	PART NUMBER	PART DESCRIPTION
33	516266	KIT WATER SOFTENER DD6010 SP
	Includes	WATER SOFTENER DD6010
	Includes 526718	O RING OVERFLOW SOFTENER
	Includes 526717	O RING SALT TANK
	Includes 556155P	SCREW ST M3.5X14 K35 PAN TX ZP
	Includes 515585	HOSE EXTENSION WATER SOFTENER
	Includes 522351	O RING STRAINER SOFTENER
	Includes 515680	BUNG SALT SOFTENER DD6010
	Includes 516103	PCB SALT LEVEL 6010
34	515680P	BUNG SALT SOFTENER DD6010 SP
35	516103P	PCB SALT LEVEL 6010 SP
NI	515746	HARNESS WATER SOFTENER DD6010
NI	516139	HOSE FILL CO-EX SOFTENER 6010
36	514957	WS BUNG RING DD6010
37	514959	WS BUNG RING SEAL DD6010
38	514960	WS OVERFLOW RING SEAL DD6010
39	526718	O RING OVERFLOW SOFTENER
40	526717	O RING SALT TANK
NI	515585	HOSE EXTENSION WATER SOFTENER
41	522351	O RING STRAINER SOFTENER
42	515719	FUNNEL SALT FILLING

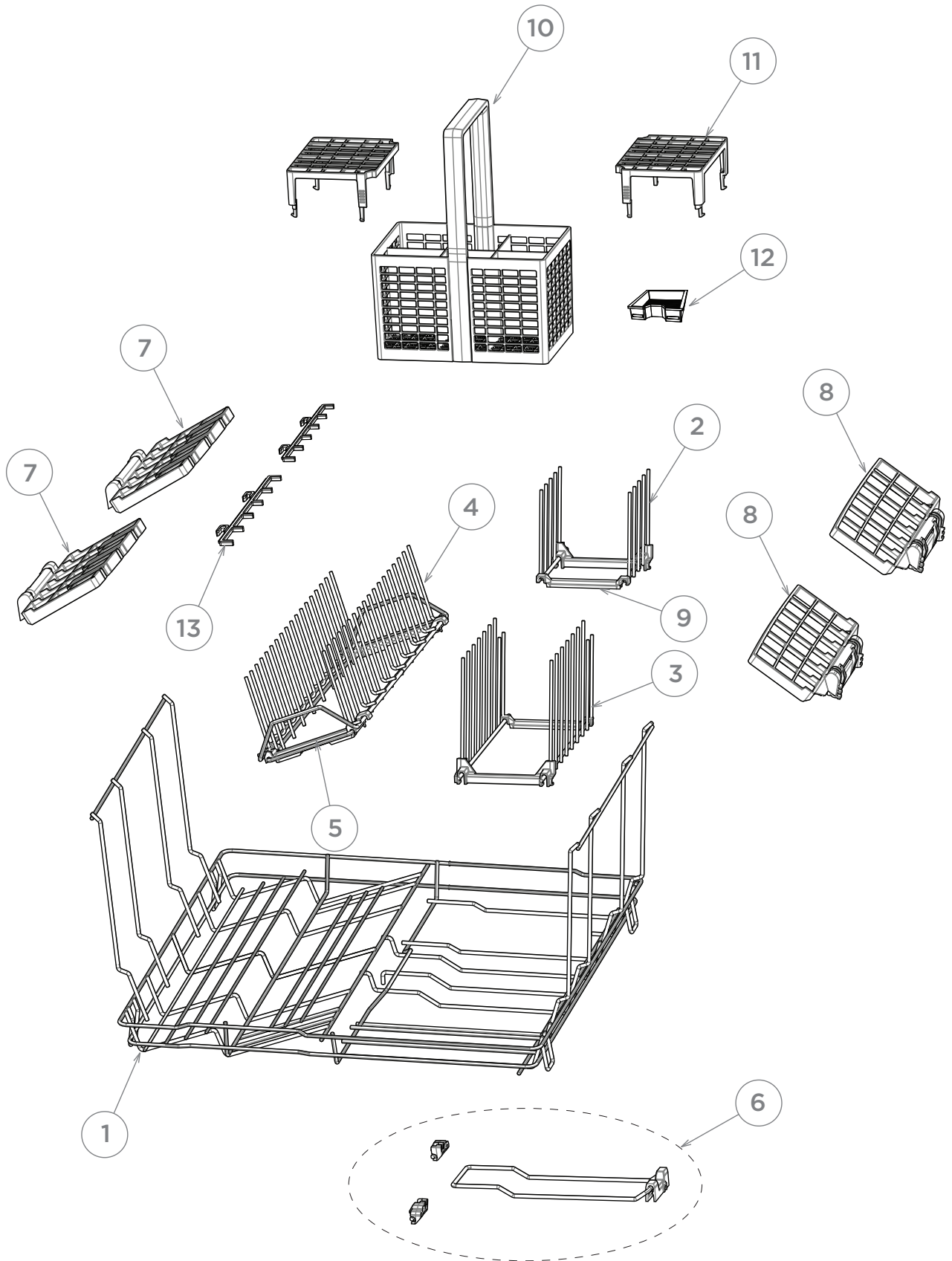
BASKET & RACK COMPONENTS



BASKET & RACK COMPONENTS

REFERENCE	PART NUMBER	PART DESCRIPTION
1	515815	BASERACK ASSY DD6010S7T CTD (TALL)
	515162	BASERACK ASSY DD6010S7 CTD (STD)
2	515183	MAIN COMB RR ASSY DD6010
	Includes	COMBS MAIN RR LH 7PS CTD
	Includes	COMBS MAIN RR RH 7PS CTD
	Includes	CLIP FOLDDOWN DD609
	Includes	CLIP FNT FOLDDOWN 94
3	515189	MAIN COMB RF ASSY DD6010
	Includes	COMBS MAIN RR LH 7PS CTD
	Includes	COMBS MAIN RR RH 7PS CTD
	Includes	CLIP FOLDDOWN DD609
	Includes	CLIP FNT FOLDDOWN 94
4	518147	CROCK INS PA 60 ASSY DD6010
	Includes	COMB PA FIXED DD6010 CTD
	Includes	COMB PA MOVING 60 CTD
	Includes	CLIP PA FRONT 60
	Includes	CLIP PA BACK 60
5	524147	KIT CLIP FRONT/BACK PA
	Includes	CLIP PA FRONT 60
	Includes	CLIP PA BACK 60
6	515169	TRAPDOOR ASSY KIT DD6010
	Includes	TRAPDOOR REAR CLIP DD6010
	Includes	TRAPDOOR WIRE LOOP CTD
	Includes	CLIP TRAP DOOR FIX FRONT 6010
	Includes	CLIP TRAP DOOR FIX BACK 6010
7	515173	RACK CUP LH DD60 ASSY PH10
8	524180	RACK CUP RH DD60 80MM ASSY
	Includes	CLIP CUPRACK SEMIFLEXI
	Includes	CUPRACK SEMIFLEXI 80MM
NI	522694P	KIT CLIP SEMIFLEX (PKT 4)
9	518649	KIT CLIP FOLDDOWN PH10
	Includes	CLIP FOLDDOWN DD609
	Includes	CLIP FNT FOLDDOWN 94

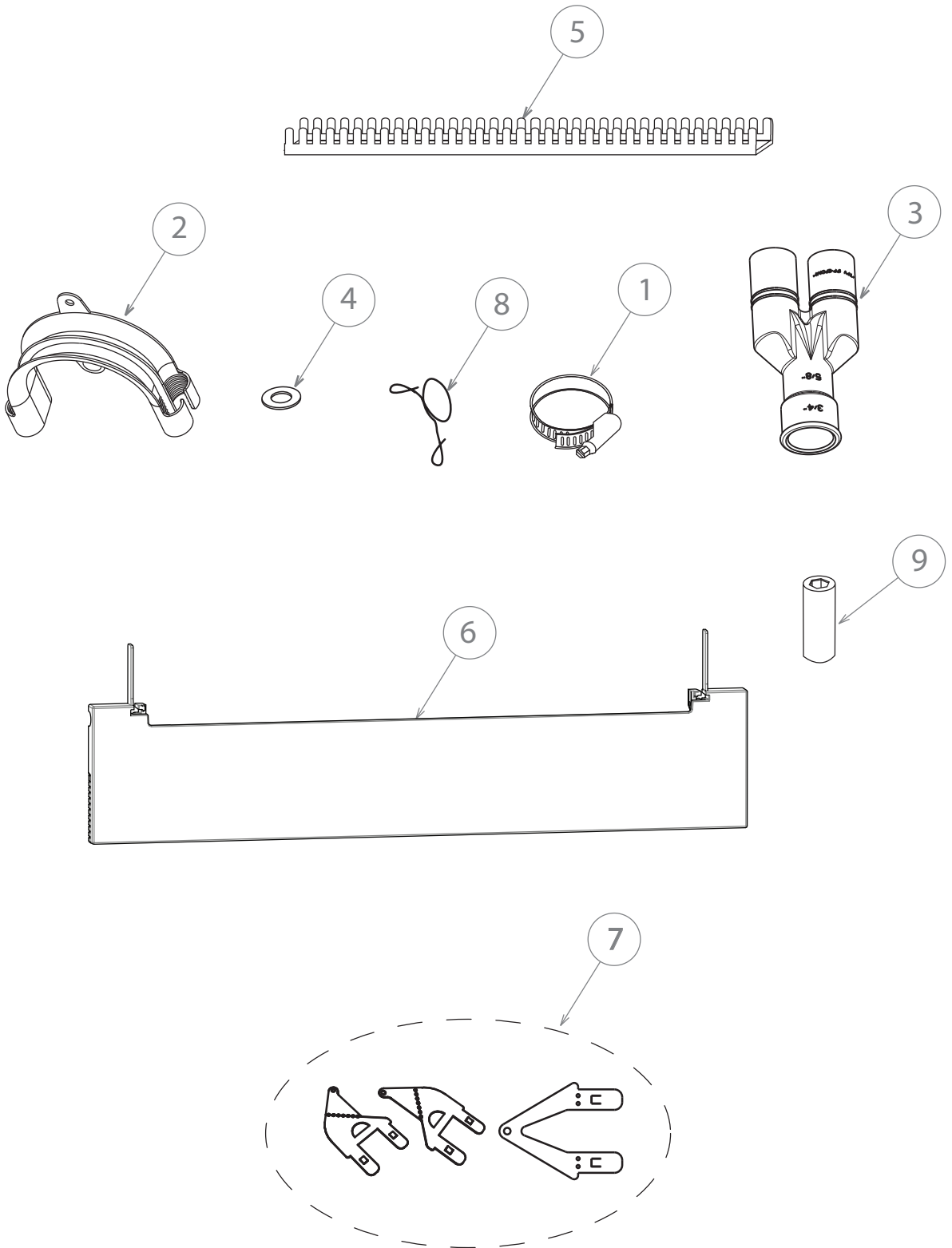
BASKET & RACK COMPONENTS



BASKET & RACK COMPONENTS

REFERENCE	PART NUMBER	PART DESCRIPTION
10	511870	BASKET CUTLERY 60 ASSY MID-GY
11	511874	INSERT ST C BASKET 60 MID-GREY
12	511872	INSERT TABLET 60 MID-GREY
13	522691P	KIT SUPPORT GLASS CLIPON (PKT 2)

INSTALLATION COMPONENTS



INSTALLATION COMPONENTS

REFERENCE	PART NUMBER	PART DESCRIPTION
1	528690	CLAMP HOSE DIA 32-14
2	525477	SUPPORT DRAIN HOSE
3	529872	JOINER DRAIN HOSE DBL US
4	516202P	WASHER INLET HOSE (PKT 10)
5	525935	EDGE 160MM 22PKG020 UHMPWE US
6	518596	KIT KICKSTRIP C PNL BLK DD6010
7	523007	KIT INSTALL TAB DISHDRAWER
	Includes	TAB TOP (2)
	Includes	INSTALL TAB TTA (2)
	Includes	INSTALL TAB TTB (2)
	Includes	SCREW WS 8X5/8TWINFST MTSPH ZP (6)
8	525482P	CLIP WIRE DRAIN (PKT 2)
9	522158	KIT FOOT TOOLS 605
	Includes	FOOT TOOL 605
	Includes	FOOT TOOL 45MM 605
NI	522995	KIT INSTALL DBL/SGL PH5/PH6
	Includes 525477	SUPPORT DRAIN HOSE
	Includes 525482	CLIP WIRE DRAIN (2)
	Includes 525067	DRAIN SPIGOT CONNECTOR DOUBLE
	Includes 525460	DRAIN SPIGOT CONNECTOR SINGLE
	Includes 528690	CLAMP HOSE DIA 32-14
	Includes	SCREW WS 8X5/8 TWIN FAST (7)
	Includes 526797	TAB TOP (2)
	Includes	FOOT TOOL 605
	Includes	FOOT TOOL 45MM 605
	Includes	INSTALL TAB TTA (2)
	Includes	INSTALL TAB TTB (2)
	Includes	CORNER PLUG TRIM DDTALL (4)
	Includes 527208	TAPE UNDERBENCH CONDENSATION
NI	527208	TAPE UNDERBENCH CONDENSATION
NI	515431	INSULATION SOUND UNDER DD6010
NI	592424	BK UG DD24DTX1 US CA
NI	592402	BK IG DD24 TXI US CA
NI	590256	BOOK SERVICE & WARR'TY FP/EL

FISHERPAYKEL.COM

© Fisher & Paykel Appliances Ltd 2021. All rights reserved.

The product specifications in this document apply to the specific products and models described at the date of issue. Under our policy of continuous product improvement, these specifications may change at any time. You should therefore check with your Dealer to ensure this document correctly describes the product currently available.

For current details about model and specification availability in your country, go to our website fisherpaykel.com or contact your local Fisher & Paykel dealer

PRODUCT CODE: 82163-A 08.21