

This Owner's Manual is provided and hosted by [Appliance Factory Parts](#).



# EVEN EMBERS GAS7480BF Owner's Manual

[Shop genuine replacement parts for EVEN EMBERS  
GAS7480BF](#)



[Find Your EVEN EMBERS Grill Parts - Select From 14 Models](#)

----- Manual continues below -----

# 3 Embers®

## 4 Burner Gas Grill Barbecue au gaz à 4 brûleurs

### OWNER'S MANUAL / NOTICE D'UTILISATION ASSEMBLY AND OPERATING INSTRUCTIONS INSTRUCTIONS D'ASSEMBLAGE ET D'UTILISATION

**SAVE THIS MANUAL FOR FUTURE REFERENCE  
CONSERVER CETTE NOTICE POUR RÉFÉRENCE**

**Model/Modèle GAS7480BF**

**NOTICE TO INSTALLER:  
LEAVE THESE INSTRUCTIONS  
WITH GRILL OWNER FOR FUTURE  
REFERENCE.**

**AVIS À L'INSTALLATEUR:  
REMETTRE CETTE NOTICE AU  
PROPRIÉTAIRE POUR QU'IL PUISSE S'Y  
RÉFÉRER PLUS TARD.**

#### **⚠ WARNING/AVERTISSEMENT**


HAZARDOUS EXPLOSION MAY RESULT IF THESE WARNINGS AND INSTRUCTIONS ARE IGNORED. READ AND FOLLOW ALL WARNINGS AND INSTRUCTIONS IN THIS MANUAL TO AVOID PERSONAL INJURY, INCLUDING DEATH OR PROPERTY DAMAGE.

UNE EXPLOSION DANGEREUSE RISQUE DE SE PRODUIRE SI CES AVERTISSEMENTS ET INSTRUCTIONS SONT IGNORÉS. LIRE ET RESPECTER TOUS LES AVERTISSEMENTS ET INSTRUCTIONS DE CETTE NOTICE POUR ÉVITER DES BLESSURES GRAVES, VOIRE MORTELLES, OU DES DÉGÂTS MATÉRIELS.





# IMPORTANT SAFETY WARNINGS

WE WANT YOU TO ASSEMBLE AND USE YOUR GRILL AS SAFELY AS POSSIBLE. THE PURPOSE OF THIS SAFETY ALERT SYMBOL  IS TO ATTRACT YOUR ATTENTION TO POSSIBLE HAZARDS AS YOU ASSEMBLE AND USE YOUR GRILL.

WHEN YOU SEE THE SAFETY ALERT SYMBOL  PAY CLOSE ATTENTION TO THE INFORMATION WHICH FOLLOWS!

 READ ALL SAFETY WARNINGS AND INSTRUCTIONS CAREFULLY BEFORE ASSEMBLING AND OPERATING YOUR GRILL.

## DANGER

IF YOU SMELL GAS:

1. Shut off gas to the appliance.
2. Extinguish any open flame.
3. Open lid.
4. If odor continues, keep away from the appliance and immediately call your gas supplier or your fire department.

## WARNING

1. Do not store or use gasoline or other flammable liquids or vapors in the vicinity of this or any other appliance.
2. An LP cylinder not connected for use shall not be stored in the vicinity of this or any other appliance.

## DANGER



- a) Do not store a spare LP cylinder under or near this appliance.
- b) Never fill the cylinder beyond 80% full.
- c) If the information in (a) and (b) is not followed exactly, a fire causing death or serious injury may occur.

# TABLE OF CONTENTS:

General Warnings . . . . .	3-4
LP Gas Cylinder (Tank) Specifications and Installation . . . . .	4-6
Hose & Regulator Specifications and Installation . . . . .	6-7
Leak Testing . . . . .	7-8
Pre-start Check List . . . . .	9
Lighting Instructions . . . . .	9-10
Operating the Grill . . . . .	11-12
Using Other Features of the Grill . . . . .	12
Proper Care and Maintenance . . . . .	13-14
Transporting and Storage . . . . .	15
Trouble Shooting . . . . .	16-17
Grill Cooking Tips . . . . .	17
Assembly Instructions . . . . .	18-25
Warranty Information . . . . .	Back Cover

- ⚠ DANGER:** Indicates an imminently hazardous situation which, if not avoided, will result in death or serious injury.
- ⚠ WARNING:** Be alert to the possibility of serious bodily injury if the instructions are not followed. Be sure to read and carefully follow all of the messages.
- ⚠ CAUTION:** Indicates a potentially hazardous situation which, if not avoided, may result in minor or moderate injury.

## CALIFORNIA PROPOSITION 65 WARNING



**WARNING:** This product can expose you to chemicals, including carbon monoxide, which are known to the State of California to cause cancer and birth defects or other reproductive harm.

For more information go to [www.P65Warnings.ca.gov](http://www.P65Warnings.ca.gov).



**WARNING:** CONTAINS LEAD. MAY BE HARMFUL IF EATEN OR CHEWED. COMPLIES WITH FEDERAL STANDARDS.  
KEEP OUT OF REACH OF CHILDREN.

For accessories and other products, please visit us at:  
[www.embersgrills.com](http://www.embersgrills.com)

# GENERAL WARNINGS:

## ⚠ WARNING

- Leak test all connections before first use, even if grill was purchased fully assembled and after each tank refill. Check propane tank rubber seal for damage.
- Always check grill and propane tank prior to each use as indicated in “Checking for Leaks” & “Pre-Start Check List” sections of this manual.
- Never use natural gas in a unit designed for liquid propane gas.
- Flavoring chips must be contained in a metal smoking box to contain ash and prevent fires.
- Ensure flames come out of all burner ports at each use. Spiders and insects like to build nests in burner tubes. Blocked burner tubes can prevent gas flow to burners and could result in a burner tube fire or fire beneath grill.
- Never check for leaks using a match or open flame.
- Never use or store gasoline, lighter fluid, paint thinner, or other flammable vapors and liquids or combustible materials in or near your grill.
- DO NOT block ventilation areas in sides, back or cart compartment of grill.
- DO NOT cover cooking grates or other components with aluminum foil, as this blocks ventilation and damage to grill or personal injury may occur.
- Never place more than 15 pounds on side tables. DO NOT lean on side tables. DO NOT lift grill using side tables.
- Keep children and pets away from hot grill. DO NOT allow children to use or play near this grill.
- DO NOT leave grill unattended while ON or in use.
- DO NOT allow gas hose to come in contact with hot surfaces. Redirect gas hose if necessary.
- DO NOT allow grease or hot drippings to fall on hose and regulator assembly. If this occurs, turn gas supply OFF at once. Empty grease tray/cup and clean hose and regulator assembly and inspect for damage before use.
- Never cook on grill without grease cup/tray in position.
- DO NOT use water on a grease fire. Closing lid to extinguish a grease fire is not possible. Use type BC dry chemical fire extinguisher or smother with dirt, sand or baking soda.
- DO NOT use while under influence of drugs or alcohol.
- FOR OUTDOOR USE ONLY. DO NOT operate indoors or in an enclosed area such as a building, garage, shed or breezeway.
- Position your grill outdoors on a non-combustible level surface in a well ventilated location, a safe distance 10 ft. (3.1 m) from combustible materials, buildings and overhangs.
- Apartment dwellers: Check with management and follow requirements and fire codes for using a LP gas grill in your apartment complex. Only use outside on ground (not on a balcony, patio, garage, etc) with a 15 foot (4.6 m) minimum clearance on back and all sides from any wall, structure or combustible material.
- Maintain a minimum clearance of 36 inches (91 cm) between back and all sides of grill, deck railings, walls or other combustible material. Not adhering to these clearances may prevent proper ventilation and can increase risk of a fire and/or property damage, which could also result in personal injury. DO NOT use grill under overhead combustible construction.
- DO NOT use or install this grill in or on a recreational vehicle and/or boat.
- DO NOT build this model grill in any built-in or slide in construction.
- If a bristle brush is used to clean any cooking surfaces, ensure no loose bristles remain on cooking surfaces prior to grilling as loose bristles may attach to food.
- DO NOT store items in cart that can catch fire or damage your grill (such as swimming pool supplies/chemicals, table cloth, wood chips).

- Grill is hot when in use. To avoid burns:
  - DO NOT attempt to move the grill.
  - Block wheels so grill does not move.
  - Wear protective gloves or oven mitts.
  - DO NOT touch any hot grill surfaces.
  - DO NOT wear loose clothing or allow hair to come in contact with grill.
- Not for commercial use. DO NOT use this grill for anything other than its intended purpose.

**⚠ USE CAUTION AND COMMON SENSE WHEN OPERATING YOUR GAS GRILL.**

**FAILURE TO ADHERE TO THE SAFETY WARNINGS AND GUIDELINES IN THIS MANUAL  
COULD RESULT IN SEVERE BODILY INJURY OR PROPERTY DAMAGE.  
SAVE THIS MANUAL FOR FUTURE REFERENCE.**

## **LP GAS CYLINDER (TANK) SPECIFICATIONS AND INSTALLATION:**

### **⚠ WARNING**

- ONLY connect this grill to a Type 1 cylinder valve. The Type 1 valve can be identified with the large external threads on the valve outlet.
- DO NOT connect to a propane cylinder exceeding a 20 lb. (9.1 kg) capacity.
- DO NOT connect to a cylinder that uses any other type of valve connection device.
- Inspect the propane tank valve rubber seal for cracks, wear or deterioration prior to use. A damaged rubber seal can cause a gas leak, possibly resulting in an explosion, fire or severe bodily harm.
- Turn off the cylinder valve when your grill is not in use.
- Handle the tank with care.
- Always secure the cylinder in an upright position.
- Never connect an unregulated LP gas cylinder to your grill.
- DO NOT expose LP gas cylinders to excessive heat or ignition sources.
- DO NOT store a spare LP gas cylinder under or near your grill.
- Allow only qualified LP gas dealers to fill or repair your LP gas cylinder.
- DO NOT allow the cylinder to be filled beyond 80% capacity.
- Read and follow all warnings and instructions that are on the cylinder and that accompany this product.

### **⚠ DANGER**

- DO NOT store a spare LP gas cylinder (full or empty) under or near your grill. This could cause excess pressure to be expelled through the vapor relief valve resulting in fire, explosion, or severe personal injury, including death.
- Propane gas is heavier than air and will collect in low areas. Proper ventilation is extremely important. Keep the ventilation opening(s) of the LP gas cylinder enclosure free and clear from obstructions and debris.
- DO NOT insert any foreign objects into the cylinder valve outlet as this could damage the rubber seal. Do not use propane tank with a damaged rubber seal. A damaged rubber seal can cause a gas leak, possibly resulting in explosion, fire, severe bodily harm, or death. Inspect rubber seal for cracks, wear or deterioration prior to use.
- Always keep cylinder (tank) in upright position during use, transit or storage.

## LP GAS CYLINDER (TANK) SPECIFICATIONS:

### LP gas cylinder (not supplied with this grill)

The LP (Liquid Propane) gas cylinder specifically designed to be used with this grill must be 12" (30.5 cm) diameter x 18" (45.7 cm) tall and have a 20 lb. (9.1 kg) capacity incorporating a Type 1 cylinder valve and an over-filling protection device (OPD).

This grill is designed to fit Worthington, Manchester or SMPC brand 20 lb. (9.1 kg) cylinders. Other brand DOT cylinders may fit this grill if cylinder has similar dimensions of top and bottom rings.

The installation of this appliance must be in accordance with:

All applicable local codes, or in the absence of local codes, either:

- National Fuel Gas Code ANSI Z223.1 NFPA 54
- Natural Gas and Propane Installation Code: CAN/CGA B149.1
- Natural Gas Installation Code: CAN/CGA B149.1 (Canada)
- Propane Installation Code: CAN/CGA B149.2 (Canada)

To check your local codes, see your local LP gas dealer or natural gas company.

When purchasing or exchanging a cylinder for your gas grill, it must be constructed and marked in accordance with specifications for LP gas cylinders of the U.S. Department of Transportation (DOT) or the National Standard of Canada, CAN/CSA-B339 Cylinders, Spheres and Tubes for Transportation of Dangerous Goods; and Commission, as applicable; and provided with a listed over-filling prevention device (OPD), and provided with a cylinder connection device compatible with connection for outdoor cooking appliances.

The cylinder must also be equipped with:

- A shut-off valve terminating in a Type 1 gas cylinder valve outlet.
- A Type 1 valve that prevents gas flow until a positive seal is obtained.
- An arrangement for vapor withdrawal.
- A collar to protect cylinder shut-off valve.
- A safety relief device having direct communication with vapor space of the cylinder.
- A listed over-filling prevention device (OPD).

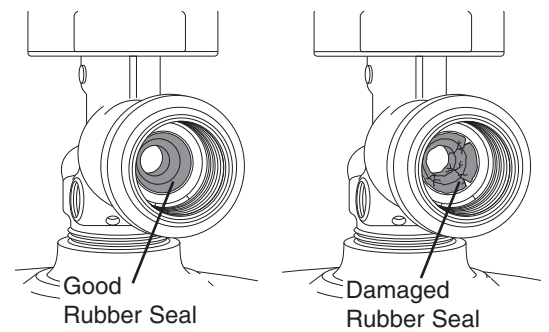
## FILLING THE LP GAS CYLINDER (TANK):

### **WARNING**

- **Allow only qualified licensed LP gas dealers to properly fill or repair your LP gas cylinder.**
- **New tanks should be purged prior to filling; inform LP gas dealer if you are using a new tank.**
- **DO NOT allow the cylinder to be filled beyond 80% capacity. Over-filled tanks can create a dangerous condition. Over-filled tanks can build-up pressure and cause the relief valve to expel propane gas vapors. The vapor is combustible and if it comes in contact with a spark source or flame an explosion causing severe burns, bodily harm, or death could occur.**
- **Always use a protective cylinder cap when grill is not connected to cylinder.**
- **If you exchange a cylinder with a qualified exchange program, the new cylinder must have a Type 1 valve and an over-filling prevention device (OPD).**
- **Inspect the propane tank valve rubber seal for cracks, wear or deterioration prior to use. A damaged rubber seal can cause a gas leak, possibly resulting in an explosion, fire or severe bodily harm.**

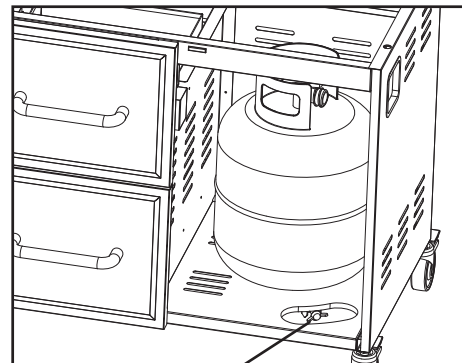
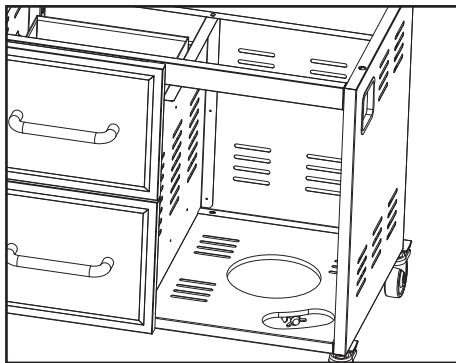
## LP GAS CYLINDER (TANK) RUBBER SEAL INSPECTION:

- Inspect propane tank valve rubber seal for cracks, wear or deterioration prior to use. A damaged rubber seal can cause a gas leak, possibly resulting in an explosion, fire or severe bodily harm.
- Inspection should be done each time propane tank is connected to grill, has been refilled, exchanged or has not been used for more than 60 days.
- Do not use a propane tank with a damaged rubber seal. Exchange tank or have rubber seal replaced at a qualified propane filling station.



## INSTALLING THE LP GAS CYLINDER (TANK) ONTO THE GRILL:

1. Check that the cylinder valve is closed by turning knob clockwise. Inspect cylinder valve rubber seal for cracks or deterioration. Do not use propane tank with damaged seal as a gas leak may occur.
2. Place cylinder into tank holder in bottom of cabinet.
3. Orient cylinder so valve opening faces right side of the grill.
4. Fully tighten tank retention screw.



Tank Retention Screw

## HOSE & REGULATOR SPECIFICATIONS AND INSTALLATION:

### ⚠ WARNING

- **DO NOT** attempt to connect grill, as purchased for LP (propane) gas, to any other fuel supply source such as a natural gas line. For dual fuel grills that can be converted to natural gas, a 3 Embers conversion kit must be purchased and installed for use with natural gas.
- **DO NOT** use any other pressure regulator/hose assembly other than the one supplied with your grill. Replacement pressure regulator/hose assembly must be part No 7480-155-7480-0, which can be obtained by contacting customer service at 855-735-9922.
- **DO NOT** attempt to adjust or repair a regulator. The regulator is designed to operate at a maximum output pressure of 11 inches of water column (2.74 kPa).
- Ensure the tank valve is **CLOSED** prior to connecting the LP gas cylinder to your grill. Turn the valve knob clockwise to properly close the valve. Read and follow all instructions and warnings on the supply hose safety tags. Read and follow all warnings in this manual concerning the safe use of LP gas cylinders and the hose and regulator before connecting cylinder to grill. Read and follow all warnings on the LP cylinder.



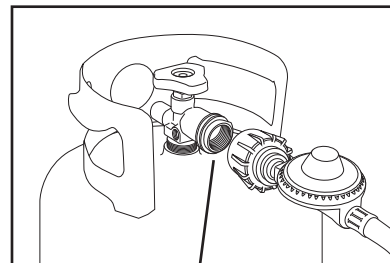
## HOSE AND REGULATOR:

Your grill is equipped with a Type 1 connection device with the following features:

1. The system will not allow gas flow from cylinder until a positive connection to valve has been made.  
Note: The cylinder valve and all grill burner knobs must be turned OFF before any connection is made or removed.
2. A regulator flow limiting device, when activated, restricts the flow of gas to 10 cubic feet per hour. If the flow limiting device is activated, perform Regulator Resetting Procedure.  
Note: If your grill will not get hot enough to cook, the flow limiting device may have been activated.

## CONNECTING HOSE AND REGULATOR:

1. Inspect propane tank valve rubber seal for cracks, wear or deterioration prior to use. A damaged rubber seal can cause a gas leak, possibly resulting in an explosion, fire or severe bodily harm. Do not use a propane tank with a damaged rubber seal.
2. Attach or detach regulator to the LP gas cylinder only when cylinder is at rest in tank holder.
3. Check that the cylinder valve is closed by turning knob clockwise.
4. Check that the grill's burner control knobs are "OFF".
5. Visually inspect hose prior to each use for damage, excess wear, or deterioration. If found, replace hose before using your grill. Only the manufacturer's supplied replacement should be used.
6. Remove the protective plastic cap from cylinder valve.
7. Check that the hose does not contain kinks, does not contact sharp edges, and does not contact surfaces that may become hot during use.
8. Hold regulator and insert the brass nipple into LP cylinder valve outlet. Ensure that the device is centered properly.
9. Turn large coupling nut clockwise by hand and tighten to a full stop. Take care not to cross thread coupling nut onto cylinder valve. Do not use tools to tighten connection.  
Note: If you are unable to make connection, repeat Steps 7 and 8.
10. Leak check all fittings before lighting your grill. See section on "Leak Testing" in this manual.  
Note: To remove regulator from propane tank, turn off tank valve and rotate large coupling nut counter-clockwise and remove.



Inspect Rubber Seal (see page 6)

## REGULATOR RESETTING PROCEDURE:

If your grill will not get hot enough to cook, the flow limiting device may have been activated.

Mini Reset:

Turn ALL burner control knobs to "OFF", turn off cylinder valve. Wait one minute. Slowly turn cylinder valve ON and relight grill. If burner flame is higher and grill heats up properly – proceed with cooking.

Full Reset:

Turn ALL burner control knobs to "OFF"; turn off cylinder valve. Disconnect hose and regulator from cylinder. Wait two minutes, reattach hose and regulator and perform leak test.

## LEAK TESTING:

### ⚠ WARNING

- Never use your grill without leak testing all gas connections, hoses and propane tank. Follow the section on "Leak Testing" in this manual for proper procedures.

# ⚠ DANGER

To prevent fire or explosion hazard:

- DO NOT smoke or permit ignition sources in the area while conducting a leak test.
- Perform test OUTDOORS in a well ventilated area that is protected from the wind.
- Never perform a leak test with a match or open flame.
- Never perform a leak test while the grill is in use or while grill is still hot.

## WHEN TO PERFORM A LEAK TEST:

- After assembling your grill and before lighting for the first time, even if purchased fully assembled.
- Every time LP gas cylinder is refilled, exchanged or if any of the gas components are disconnected or replaced.
- Any time your grill has been moved.
- At least once per year or if your grill has not been used for more than 60 days.

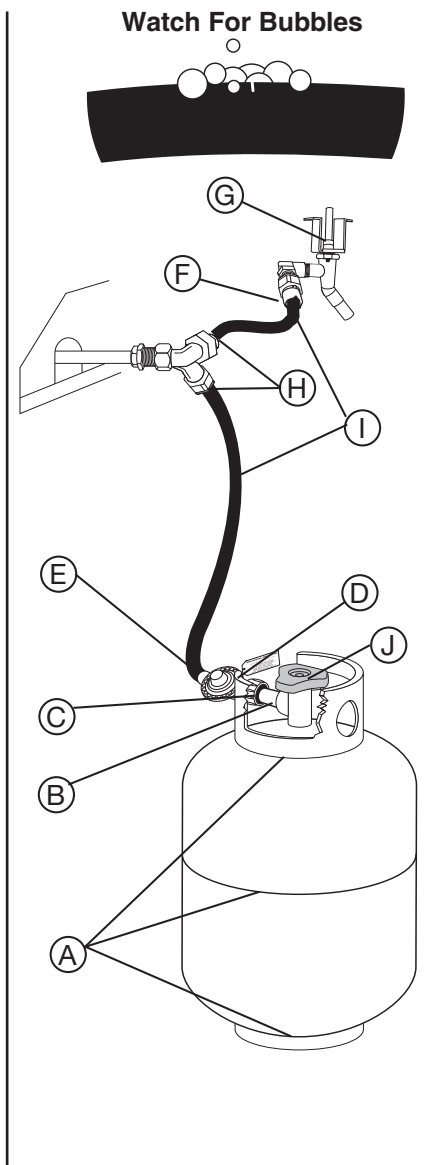
## CHECKING FOR LEAKS:

⚠ **CAUTION:** Strong odors, colds, sinus congestion, etc. may prevent the detection of propane by smell. Use caution and common sense when testing for leaks.

Note: The leak test must be performed in an area that has adequate lighting in order to see if bubbles are developing and not in a windy or noisy area so larger leaks can be detected by smell or sound.

1. Create a mixture of 50% water and 50% liquid dishwashing soap.
2. Open lid.
3. Ensure all control knobs are set to "OFF".
4. Turn on gas at cylinder valve. Turn cylinder valve knob counter-clockwise to full open. If you hear a rushing sound or smell gas, turn gas off. Tighten any leaking connections. If leak is detected at connection nut and tightening does not stop leak, reinspect propane tank rubber seal.
5. Apply a soapy water mixture to the following:
  - (A) Supply tank (cylinder) weld.
  - (B) Back side of connection nut to brass nipple.
  - (C) Connection nut to tank valve.
  - (D) Brass nipple connection into regulator.
  - (E) Regulator connections to gas supply hoses.
  - (F) Gas supply hose connection to side burner valve assembly.
  - (G) Side burner valve stem cap.
  - (H) Hose connection to gas manifold.
  - (I) The full length of gas supply hose.
  - (J) Tank valve to cylinder.
6. Check each place listed (A–J) for growing bubbles, which indicates a leak. Large leaks may not be detected by bubbles but should produce a rushing sound or gas smell.
7. Turn off gas supply at cylinder valve.
8. Turn on control knobs to release gas pressure in hose.
9. Turn control knobs "OFF".
10. Tighten any leaking connections. If leak is detected at connection nut and tightening does not stop leak, reinspect propane tank rubber seal. (see page 6)
11. Repeat soapy water test until no leaks are detected.
12. Turn off gas supply at cylinder valve until you are ready to use your grill.
13. Wash off soapy residue with cold water and towel dry.
14. Wait 5 minutes to allow all gas to evacuate area before lighting grill.

⚠ **WARNING:** DO NOT use grill if leaks cannot be stopped. Contact a qualified gas appliance repair service.



## PRE-START CHECK LIST:

### **⚠ DANGER**

Property damage, bodily harm, severe burns, and death could result from failure to follow these safety steps. These steps should be performed after the grill has been assembled and prior to each use. **DO NOT** operate this grill until you have read and understand **ALL** of the warnings and instructions in this manual.

- Ensure that the grill is properly assembled.
- Inspect gas supply hose for burns, chaffing, kinks, and proper routing before each use. If it is evident there is excessive abrasion or wear, or the hose is cut, it must be replaced prior to grill being used. Replace with hose and regulator Model No. 7480-155-7480-0, which can be obtained by contacting customer service at 855-735-9922.
- Leak check all gas connections, hose and propane tank. See section on “Leak Testing”.
- Position your grill on a non-combustible level surface in a well ventilated location, a safe distance 10 ft. (3.1 m) from combustible materials, buildings and overhangs.
- Properly place empty grease cup under grease drain hole in bottom of grill to catch grease during use.
- **DO NOT** block ventilation areas in sides, back or cart compartment of grill.

## LIGHTING INSTRUCTIONS:

### **⚠ WARNING**

Read, understand and follow all warnings and instructions contained in this manual. **DO NOT** skip any of the warnings and instructions contained in the preceding sections of this manual.

Follow the instructions exactly.

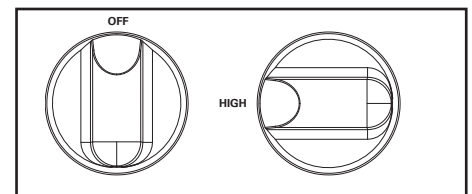
1. **OPEN THE GRILL LID** before attempting to light a burner so that fumes do not accumulate inside the grill. An explosion could occur if grill lid is down.
2. Check that all burner control knobs and the cylinder valve are turned to the “OFF” position.
3. Turn on the fuel supply by slowly rotating the cylinder valve knob counter-clockwise to full open.
4. **DO NOT** stand with head, body, or arms over the grill when lighting.

### LIGHTING THE MAIN BURNERS:

1. Open lid before lighting burner.
2. Make sure all control knobs are “OFF”.
3. Select burner to be lit. Push and hold down control knob and turn **SLOWLY** (2 to 3 seconds) to “HIGH.” You should hear igniter click.

Note: Step 3 may need to be repeated 2-3 times to light grill.

4. If ignition does **NOT** occur in 5 seconds, turn control knob to “OFF”, wait 5 minutes to allow gas to dissipate and repeat lighting procedure.
5. To light other burners, follow steps 3-4.

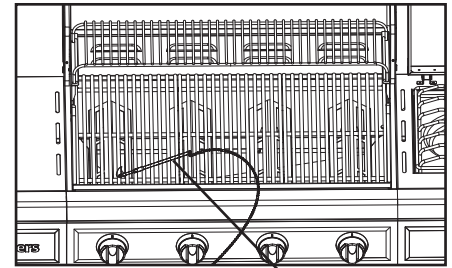


- If burner does not ignite using igniter, see “Match Lighting the Main Burners” section.
- To turn off, turn each control knob clockwise until it locks in the “OFF” position. This does not turn off the gas flow from the cylinder.

Note: If burner does not light or flame is too low, See “Trouble Shooting” section of the owners manual.

### MATCH LIGHTING THE MAIN BURNER:

- Open lid before lighting burner.
- Make sure all control knobs are “OFF”.
- Place a paper match in the end of the matchlighter. Strike match and place through the cooking grate approximately 1/2” (1 to 2 cm) from the burner to be lit.
- Turn burner control knob to “HIGH” position. The burner should light within 5 seconds.
- If burner does not light, turn control knob to “OFF” and wait 5 minutes for gas to dissipate and repeat lighting procedure.
- Once lit, light adjacent burners by following steps 3-6.
- If burner does not light within first few attempts of match lighting, there is a problem with the gas supply. Turn off gas at burner and cylinder. DO NOT attempt to operate grill until the problem is found and corrected.

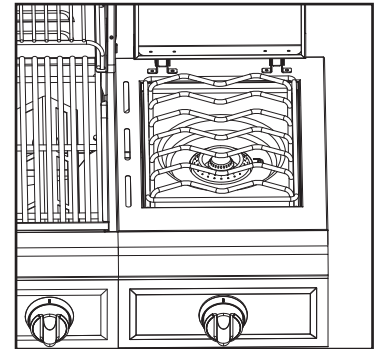


Matchlighter

Note: If burner does not light or flame is too low, See “Trouble Shooting” section of the owners manual.

### LIGHTING THE SIDE BURNER:

- Open lid before lighting side burner.
  - Make sure control knob is “OFF”.
  - Push and hold down side burner control knob and SLOWLY (2 to 3 seconds) turn to “HIGH”. You should hear the igniter click.
- Note: Step 3 may need to be repeated 2-3 times to light side burner.
- If ignition does NOT occur in 5 seconds, turn control knob to “OFF”, wait 5 minutes to allow gas to dissipate and repeat lighting procedure.
  - If burner does not ignite using the igniter, see “Match Lighting the Side Burner” section.
  - To turn off, turn control knob clockwise until it locks in “OFF” position.



Note: If burner does not light or flame is too low, See “Trouble Shooting” section of the owners manual.

### MATCH LIGHTING THE SIDE BURNER:

- Open lid to the side burner before lighting.
- Make sure control knob is “OFF”.
- Place a paper match in end of the matchlighter..
- Strike match and hold it approximately 1/2” (1 to 2 cm) from burner.
- Turn side burner control knob to “HIGH” position. The burner should light within 5 seconds.
- If burner does not light, turn control knob to “OFF” and wait 5 minutes for gas to dissipate and repeat lighting procedure.
- If burner does not light within first few attempts of match lighting, there is a problem with the gas supply. Turn off gas at burner and cylinder. DO NOT attempt to operate grill until the problem is found and corrected.

Note: If burner does not light or flame is too low, See “Trouble Shooting” section of the owners manual.

Note: Observe flame height when lit: Flame should be a Blue/Yellow color between 1”–2” when burner is on “HIGH”.

**See section in manual on burner adjustment to adjust flame.**



# OPERATING THE GRILL:

## ⚠ WARNING

- Read and follow all warnings and instructions contained in the preceding sections of this manual.
- Flavoring chips must be contained in a metal smoking box to contain ash and prevent fires.
- DO NOT cover cooking grates or other components with aluminum foil, as this blocks ventilation and damage to grill or personal injury may occur.
- DO NOT leave your grill unattended while “ON” or in use.
- DO NOT move grill when in use.
- DO NOT use water on a grease fire. Closing the lid to extinguish a grease fire is not possible. Use type BC dry chemical fire extinguisher or smother with dirt, sand or baking soda.
- Never cook on the grill without the grease cup/tray in place.

### BREAKING IN YOUR GRILL:

- In manufacturing and preserving the components of your grill, oil residue may be present on burners and cooking surfaces of your grill.
- Before cooking on your grill for the first time you should preheat it for 15 minutes on “HIGH” to burn off these residual oils.

### PREHEATING GRILL:

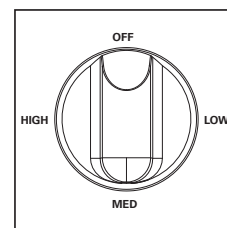
- Prior to each use, it is recommended that you preheat your grill. This ensures that the grilling surfaces are at the desired temperatures to sear the food sugars when cooking. After lighting your grill, set main burner control knobs to “HIGH” position for 5 to 10 minutes. Close lid during the preheat period.

### CONTROLLING FLARE-UPS/GREASE FIRES:

- Flare-ups are a part of cooking meats on a gas grill. This adds to the unique flavor of cooking on a gas grill. Use caution when opening lid as sudden flare-ups may occur. Excessive flare-ups can overcook your food and cause a dangerous situation for you and your grill. Excessive flare-ups result from the build-up of grease in your grill. If this should occur, DO NOT pour water onto the flames. This can cause grease to splatter and could result in serious burns or bodily harm.
- If grease fire occurs while lid is open, leave lid open, turn burner knobs to “OFF”, turn off LP cylinder valve. If possible, relocate food to a different section of cooking grate and allow grease to burn out or smother flames with baking soda.
- If grease fire occurs while lid is closed, leave lid closed, as a sudden burst of air may increase flames. Turn burner knobs to “OFF”, turn off LP cylinder valve. Allow grease to burn out.
- Never pour water on a grease fire as grease may splatter/spread and could result in bodily injury or property damage.
- If grease fire does not quickly burn out or fire is growing/spreading, use type BC dry chemical fire extinguisher or smother with dirt, sand or baking soda. Closing lid to extinguish a grease fire is not possible.

### TO MINIMIZE FLARE-UPS:

- Trim excess fat from meats prior to cooking.
- Cook meats with high fat contents (chicken or pork) on Low settings or indirectly.
- Ensure that your grill is on level ground and grease is allowed to evacuate grill through drain hole in bottom and into grease cup/tray.
- Clean grill frequently to minimize grease buildup.



### INDIRECT COOKING:

- Indirect cooking is the process of cooking your food without heat source being directly under your food. You can sear meats over a high flame on one side of the grill while slow cooking a roast on the other (unlit) side of the grill.

## ROTISSERIE COOKING:

- Your grill was pre-drilled from the factory to include mounting holes for a rotisserie. Compatible with any rotisserie that has a stainless steel motor housing (sold separately).
- Read and follow all instructions provided with the rotisserie. Save instructions for future reference.

## TURNING OFF THE GRILL:

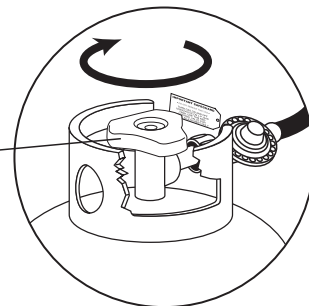
1. Turn off cylinder valve.
2. Turn all burner control knobs to “OFF” position.

Note: Turn off LP cylinder first to prevent gas from being left in the system under pressure.

### ⚠ CAUTION:

- The cylinder valve should always be in the off, or closed, position when grill is not in use.

To turn off cylinder valve,  
turn knob clockwise until it stops.



## USING OTHER FEATURES OF THE GRILL:

### ⚠ WARNING

- Read instructions on lighting your grill to light the side burner.
- Never close the side burner cover when the burner is lit.
- Use a 10” diameter pot or smaller that does NOT have an extended handle when cooking on the side burner. Center pot over burner.
- Never place more than 15 pounds on the side burner. The side burner is not constructed to hold weight exceeding 15 pounds.
- Use caution to avoid bumping grill, side burner or pot to prevent pot from spilling contents possibly leading to severe burns.
- DO NOT use side burner to deep fry food in oil to avoid dangers associated with oil igniting creating a very dangerous situation.

### THE SIDE BURNER:

- The side burner can be used to prepare side dishes such as beans, potatoes, corn, or to warm sauces.
- The burner valve can be adjusted from high to low depending upon your cooking demands.

## PROPER CARE & MAINTENANCE:

- ⚠ WARNING:** If a bristle brush is used to clean any of the cooking surfaces, ensure no loose bristles remain on the cooking surfaces prior to grilling as loose bristles may attach to food.

### CLEANING INTERIOR OF GRILL:

- We recommend cleaning off food residue immediately after cooking by gently scrubbing grates with bristle brush and then turning burners to HIGH for approximately 5 minutes.
- Make sure unit has adequately cooled before cleaning.
- Clean up of the grill after each use is required.

- ⚠ WARNING:** DO NOT leave grill unattended when grill is on. Wear oven mitts to protect from burns.

- The heat from burners will burn off most food/grease residue from grates & heat tents and turn it to an ash like substance which will fall to the bottom of the firebox or grease tray. After the grill cools (approximately 30 minutes) remove grates and heat tents and brush the ash and any grease out of the firebox. Clean and replace grease cup. Inspect the heat tents for damage or deterioration before reinstalling in the grill. Don't scrap or brush heat tents to avoid damage to screens. (Replacements can be ordered by calling 855-735-9922.)

- ⚠ CAUTION:** DO NOT allow ash residue to remain on grease tray or firebox as it could block proper grease drainage of the grill.

### INTERIOR OF GRILL LID:

- Smoke will accumulate inside grill lid and may flake onto your food. Clean the inside of the grill lid with scrub brush and baking soda/water solution. Dry thoroughly. Do not mistake this for paint. The interior of gas grill lids are not painted.

### MAINTAINING EXTERIOR OF GRILL:

- To protect your grill from excessive rust, the unit must be kept clean and covered at all times when not in use.
- Painted surfaces. Wash with mild detergent or non-abrasive cleaner and warm soapy water.
- Stainless steel surfaces. To maintain your grill's appearance, wash with mild detergent and warm soapy water and wipe dry with a soft cloth after each use. Baked-on grease deposits may require the use of an abrasive plastic cleaning pad. Use only in direction of brushed finish to avoid damage. Do not use abrasive pad on areas with graphics. Car wax may help protect the exterior finish of your grill.
- Porcelain surfaces. Because of glass-like composition, most residue can be wiped away with a solution of baking soda and water or specially formulated cleaner. Use non-abrasive scouring powder such as baking soda for stubborn stains.
- Plastic and rubber parts. Wash with warm soapy water and wipe dry. Do not use citrisol, abrasive cleaners, degreasers or a concentrated grill cleaner on plastic parts. Damage to and failure of parts can result.

### RUST:

- Discoloration, rust and rust pits can occur as a result of high cooking temperatures, acidic marinades, grease fires and exposure to coastal climates or other natural elements.
- Rust spots on the interior surface can be buffed, cleaned, then lightly coated with vegetable oil or vegetable oil spray to minimize rusting.
- Never use cleaners containing chlorine or store swimming pool supplies or chemicals in cart compartment as chlorine promotes rust.

### BURNER CLEANING AND MAINTENANCE:

- Keep appliance free and clear of combustible materials, gasoline and other flammable vapors and liquids.
- Keep ventilation openings of cylinder enclosure free and clear of debris.
- Visually check burner flames for proper operation (see pictorial in "Burner Assembly/Maintenance" under Proper Care and Maintenance). Spiders or other insects can nest in the burner causing gas blockage.
- For safe grilling and peak performance of your grill, perform these checks at least twice per year or after extended periods of storage.
- Be sure to tighten up all hardware (nuts, bolts, screws, etc.) at least twice per year.

- ⚠ CAUTION:** Some parts may contain sharp edges. Wear protective gloves if necessary.

- Remove cooking grills, heat distribution plates, and burners from inside your grill. Use a brush with hot water and detergent to remove excess residue. NEVER use a commercial oven cleaner. Rinse completely with water. Towel dry and replace all components as described in the assembly instructions.

## BURNER ASSEMBLY/MAINTENANCE:

- Although your burners are constructed of stainless steel, they may corrode as a result of the extreme heat and acids from cooking foods. Regularly inspect burners for cracks, abnormal holes, and other signs of corrosion damage. If found, replace burner.
  - DO NOT block ventilation areas in sides, back or cart compartment of grill. Burner tubes can become blocked by spiders and other insects building their nests. Blocked burner tubes can prevent gas flow to the burners and could result in a burner tube fire or fire beneath the grill. To clean burner follow these instructions.
1. Turn gas off at control knobs and LP cylinder tank valve.
  2. Remove cooking grills and heat distribution plates.
  3. Remove two bolts from each burner, which are located in back of grill.
  4. Remove burner through back of grill.
  5. Use a narrow bottle brush or a stiff wire bent into a small hook to run through each burner tube or use compressed air to blow into burner tube and out the flame ports. Check each port to make sure air comes out each hole.

**⚠ CAUTION:** Wear eye protection when using compressed air.

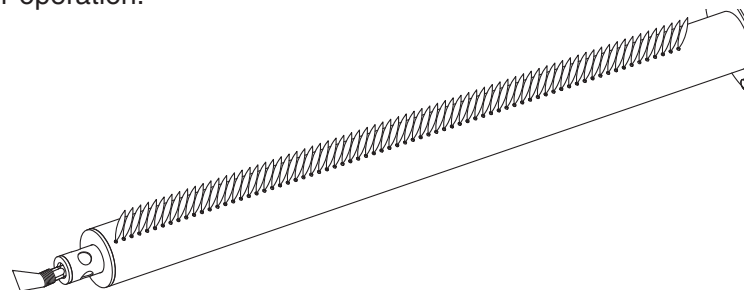
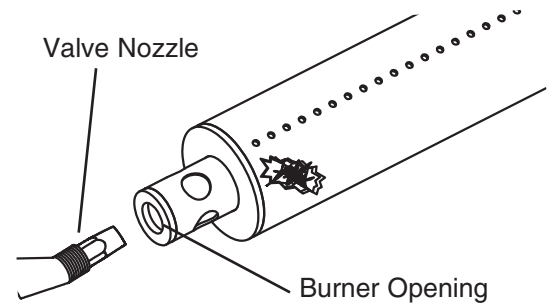
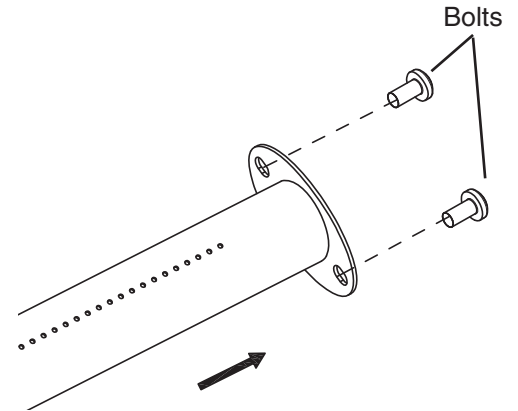
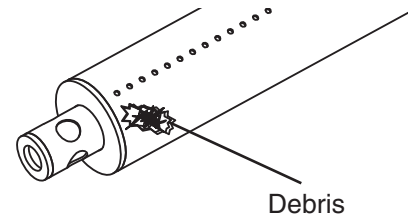
6. Use a wire brush to clean the entire outer surface of burner to remove food residue and dirt.
7. Check burner for damage, if any cracks or holes are found replace burner.
8. Install burner in grill, orient burners CORRECTLY.

**IMPORTANT:** Burner opening must slide over valve nozzle.

9. Replace two bolts on each burner.

Note: Follow the “Gas Leak Testing” section of this manual. Relight burners to verify proper operation.

10. Replace heat distribution plates and cooking grills.



### PROPER VALVE TO BURNER ALIGNMENT

Note: Normal flame height is 1" to 2"



## TRANSPORTING AND STORAGE:

### **WARNING**

- Never move a grill when hot or in use.
- Make sure that cylinder valve is closed and burner knobs are in the off position.
- DO NOT store a spare LP gas cylinder (filled or empty) under or near the grill.
- Never store flammable liquids or spray canisters under or near the grill.
- If the outdoor cooking gas appliance is not in use, the gas must be turned off at the LP gas supply cylinder.
- Storage of an outdoor cooking gas appliance indoors is permissible only if the cylinder is disconnected and removed from the outdoor cooking gas appliance.
- Cylinders must not be stored in a building or enclosure, including garages and sheds.
- Cylinders must be kept out of reach of children.

### **BEFORE STORING YOUR GRILL:**

- Ensure that cylinder valve is fully closed.
- Clean all surfaces. Lightly coat burners with cooking oil to prevent excess rusting.
- If storing grill indoors, disconnect LP tank and leave LP tank OUTDOORS.
- Place dust cap on cylinder valve outlet whenever the cylinder is not in use. Only install the type of dust cap on the cylinder valve outlet that is provided with the cylinder valve. Other types of caps or plugs may result in leakage of propane.
- Check and clean burner prior to use after storing, at the beginning of grilling season or after a period of not being used. Spiders and insects like to build nests in burner tubes (especially during colder months). Blocked burner tubes can prevent gas flow to burners and could result in a burner tube fire or fire beneath grill. See "Burner Assembly/Maintenance" under Proper Care and Maintenance.
- If storing grill outdoors, cover grill with a grill cover for protection from the weather.

# TROUBLE SHOOTING:

<b>Problem</b>	<b>Possible Cause</b>	<b>Prevention/Cure</b>
<b>Burner will not light</b>	LP gas tank valve is closed	Make sure regulator is securely attached to the LP gas tank, turn LP gas tank valve to "OPEN"
	LP gas tank is low or empty	Check if LP gas tank is empty. If empty, replace or refill.
	LP gas leak	1. Turn LP gas tank valve to "CLOSED" 2. Wait 5 minutes for gas to clear 3. Follow "Leak Testing" in the owner's manual
	Coupling nut and regulator not fully connected	See section on "Connecting Hose and Regulator"
	Obstruction of gas flow	1. Clean burner assembly 2. Check for bent or kinked hose
	Burner may not be properly seated	Reseat burner and valve. Refer to "Burner Assembly/Maintenance" instructions
	Spider webs or insect nest in venturi	Clean venturi and burner assembly
	Burner ports clogged or blocked	Clean burner ports
	Battery needs to be changed	Replace the battery (follow assembly step for inserting battery)
	Wires or electrode covered with cooking residue	Clean wire and/or electrode with rubbing alcohol
	Electrode and burners are wet	Wipe dry with cloth
	Electrode cracked or broken - sparks at crack	Replace electrode
	Wire loose or disconnected	Reconnect wire or replace electrode/wire assembly
	Wire is shorting (sparking) between ignitor and electrode	Replace ignitor wire/electrode assembly
Bad ignitor	Replace ignitor	
<b>Grill does not get hot enough</b>	Out of gas	Replace or refill LP gas tank
	Flow limiting device may have been activated	1. Mini Reset: a. Turn control knobs and LP gas tank valve to "OFF" b. Wait one minute and relight grill per "Lighting Instructions" 2. If flames are still too low, perform a Full Reset Full Reset: a. Turn control knobs and LP gas tank valve to "OFF" b. Disconnect regulator from propane tank c. Inspect LP cylinder rubber seal d. Wait 1 minute e. Reconnect regulator and perform "Leak Testing" on all connections. f. Light grill per "Lighting Instructions"
<b>Irregular flame pattern. Flame does not run full length of burner</b>	Burner ports are clogged or blocked	Clean burner ports
	Air shutter on burner needs adjustment	See section on "Burner Adjustment"
<b>Flame is yellow or orange</b>	New burner may have residual manufacturing oils	Burn grill for 15 minutes on "HIGH" with the lid closed
	Spider webs or insect nest in venturi	Clean venturi and burner assembly
	Food residue, grease, etc.	Clean burner assembly
	Poor alignment of valve to burner venturi	Make sure burner venturi is properly engaged with valve
	Air shutter on burner needs adjustment	See section on "Burner Adjustment"

<b>Problem</b>	<b>Possible Cause</b>	<b>Prevention/Cure</b>
<b>Flame blows out</b>	High or gusting winds	Do not use grill in high winds
	Low on LP gas	Replace or refill LP gas tank
	Burner holes may be obstructed	Refer to "Burner Assembly/Maintenance" instructions
	Flow limiting device tripped	Refer to "Regulator Resetting Procedure"
<b>Flare-up</b>	Grease buildup	Clean all grill parts per "Proper Care and Maintenance" instructions
	Excess fat in meat	Trim fat from meat before grilling
	Excessive cooking temperature	Adjust (lower) cooking temperature
<b>Grease fire</b>	Grease trapped by food buildup around burner system	1. Turn control knobs and LP gas tank valve to "OFF" 2. Leave lid in open or closed position and let fire burn out. Use BC type fire extinguisher or baking soda, sand or dirt to smother fire, if necessary. 3. After grill cools, remove and clean all parts per "Proper Care and Maintenance" instructions
<b>Flashback (fire in burner tubes) / knobs melting</b>	Burner and/or burner tubes are blocked	Clean burners and/or burner assembly
<b>Inside of lid is peeling (like paint peeling)</b>	Baked on grease buildup has turned into carbon and is flaking off	Clean thoroughly per "Proper Care and Maintenance" instructions

## **GRILL COOKING TIPS:**

### **CLEANLINESS:**

- Always wash hands thoroughly with soap and hot water prior to handling food and after handling raw meat, uncooked poultry or seafood.
- When using a platter to carry raw meat, uncooked poultry or seafood to grill, make sure to wash platter thoroughly with soap and hot water before placing cooked foods back on platter or use different platters for raw and cooked foods.
- Never use same utensils when handling raw meat, uncooked poultry or seafood unless you wash utensils thoroughly with soap and hot water.
- Never re-use marinade from raw meat or uncooked poultry on foods that have been cooked and are ready to be served.

### **GRILLING TO PROPER TEMPERATURE:**

- Use a meat thermometer to be sure food has reached a safe internal temperature.
- The USDA recommends the minimum temperature be reached for the following food items:

<b>Chops</b> ..... 145° F (62.8° C)	<b>Roasts</b> ..... 145° F (62.8° C)
<b>Ground Meat</b> ..... 160° F (71° C)	<b>Seafood</b> ..... 145° F (60° C)
<b>Pork</b> ..... 145° F (62.8° C)	<b>Vegetables</b> ..... 145° F (62.8° C)
<b>Poultry</b> ..... 165° F (82° C)	

### **HELPFUL HINTS:**

- If you pre-cook meat or poultry, do so immediately before grilling.
- Never defrost meat at room temperature or on a countertop.
- Refrigerate leftovers within 2 hours of taking food off the grill.
- For additional information, please phone the USDA's toll free Meat & Poultry Hotline at 800-535-4555.

# ASSEMBLY INSTRUCTIONS / INSTRUCTIONS D'ASSEMBLAGE:

**⚠ READ ALL SAFETY WARNINGS & ASSEMBLY INSTRUCTIONS CAREFULLY BEFORE ASSEMBLING OR OPERATING YOUR GRILL.**

**⚠ LIRE ATTENTIVEMENT TOUS LES AVERTISSEMENTS ET INSTRUCTIONS CONCERNANT LA SÉCURITÉ AVANT D'ASSEMBLER ET DE FAIRE FONCTIONNER LE GRIL.**

**WE RECOMMEND TWO PEOPLE WORK TOGETHER WHEN ASSEMBLING THIS UNIT.  
NOUS VOUS RECOMMANDONS DEUX PERSONNES TRAVAILLENT ENSEMBLE LORS DU MONTAGE DE CET APPAREIL.**

The following tool is required to assemble this 3 Embers 4 Burner Gas Grill:

- **Phillips Screwdriver / Tournevis cruciforme**

## PARTS LIST:

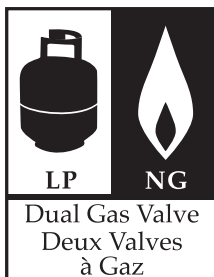
①	1	Grill Body	⑧	3	Stainless Steel Cooking Grates
②	1	Left Side Table	⑨	4	Stainless Steel Heat Tents
③	1	Side Burner Assembly	⑩	1	Grease Tray Handle
④	1	Left Side Table Front Panel	⑪	1	Side Burner Cooking Grate
⑤	1	Side Burner Front Panel	⑫	1	Grease Cup
⑥	1	Side Burner Knob	⑬	3	AA Batteries
⑦	1	Warming Rack			

Note: Screws needed for assembly are pre-installed and will need to be loosened partially and/or removed to assemble grill.

## LISTE DES PIÈCES :

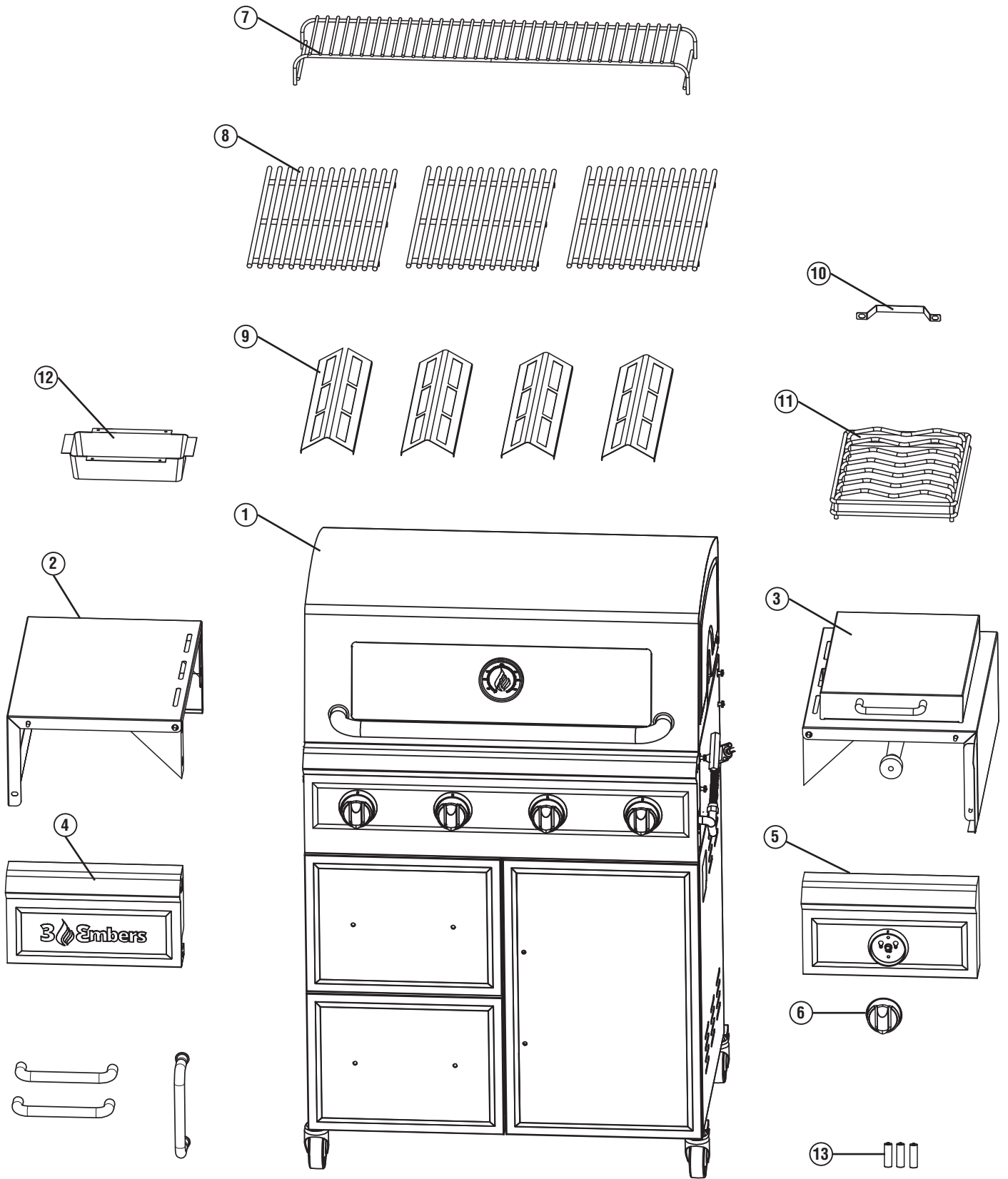
①	1	Assemblage du corps principal	⑧	3	Grilles de cuisson en acier inoxydable
②	1	Table latérale gauche	⑨	4	Tentes de chaleur en acier inoxydable
③	1	Assemblage du brûleur latéral	⑩	1	Poignée de bac à graisse
④	1	Façade de la Table côté gauche	⑪	1	Grille du brûleur latéral
⑤	1	Panneau avant du brûleur latéral	⑫	1	Contenant à graisse
⑥	1	Bouton du brûleur latéral	⑬	3	Piles AA
⑦	1	Grilles du réchaud			

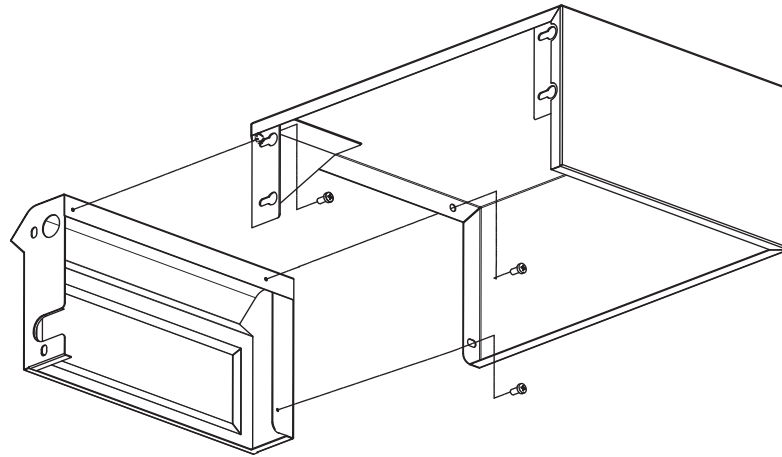
Note : Vis nécessaires pour l'assemblage sont préinstallées et devront être desserré partiellement et/ou supprimé pour assembler le grill.



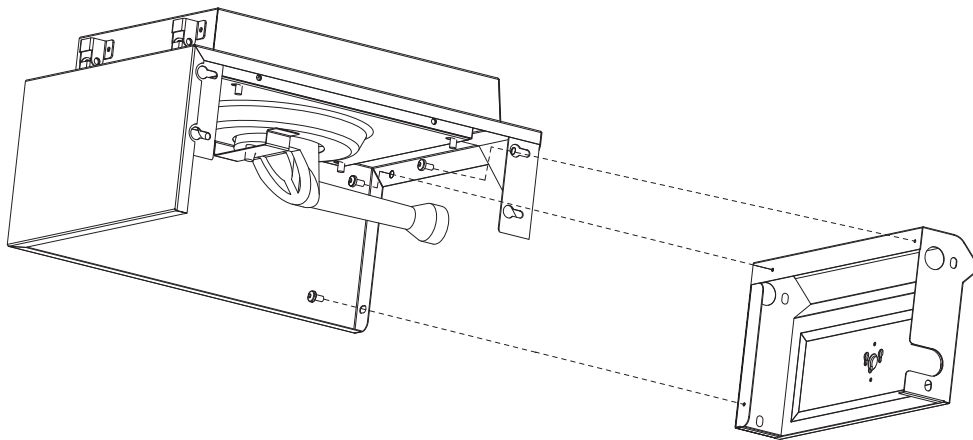
This grill is designed with Dual Fuel Valves to easily convert from LP (propane) gas to natural gas. A 3 Embers conversion kit must be purchased and installed for use with natural gas.

Ce barbecue est conçu avec des valves de gaz doubles pour faciliter la conversion du propane au gaz naturel. Vous devez vous procurer et installer un ensemble de conversion 3 Embers pour utiliser le gaz naturel.

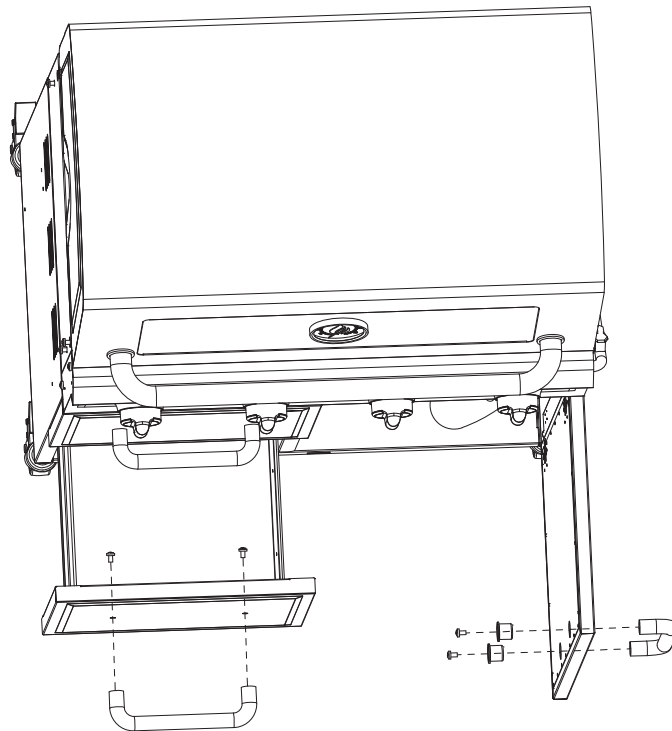




1

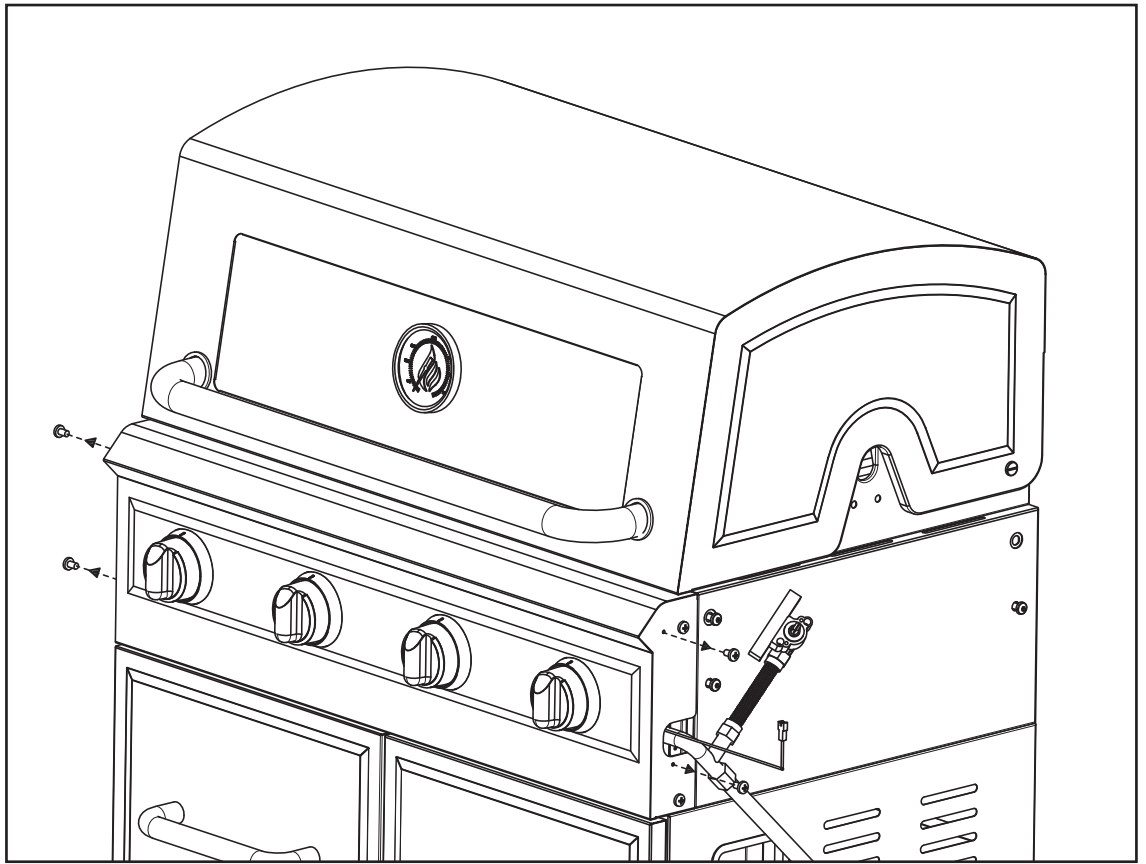


2

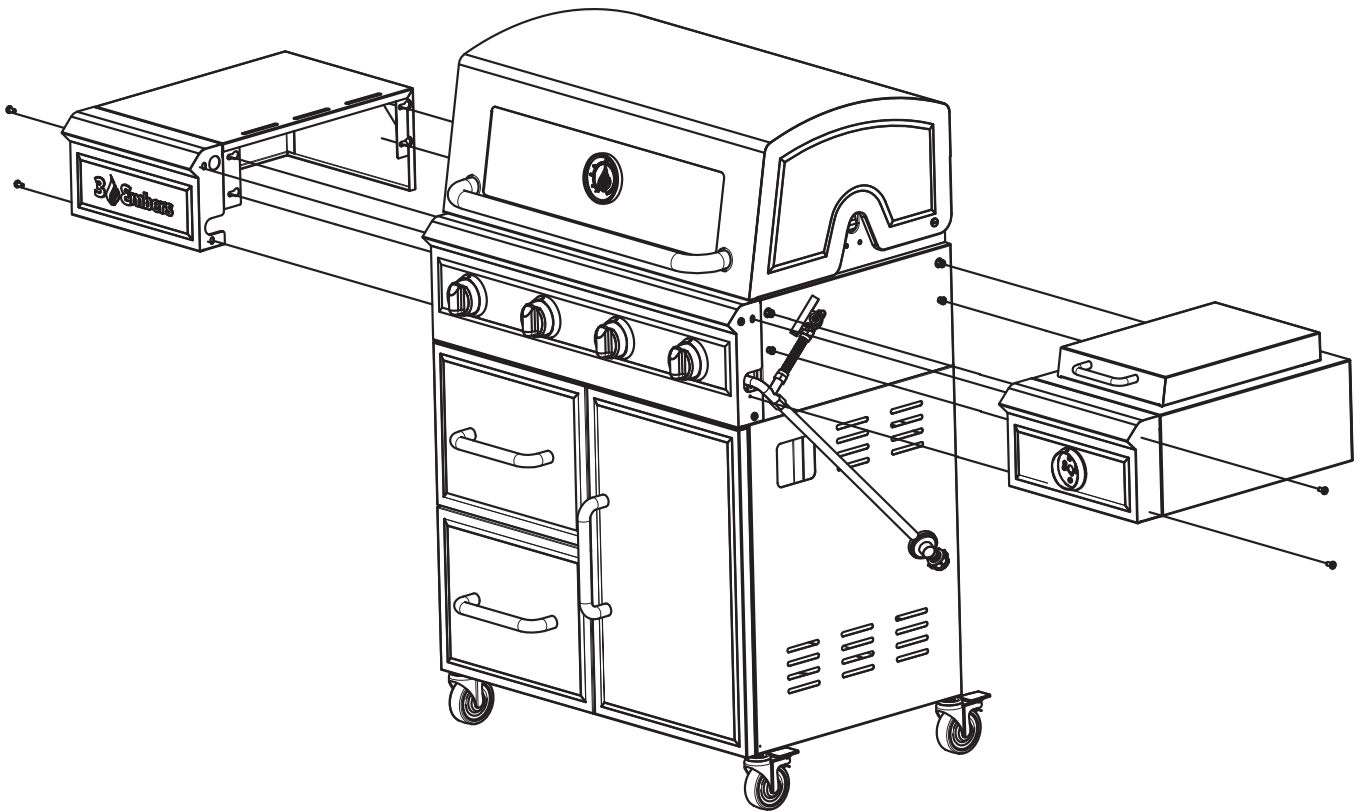


3

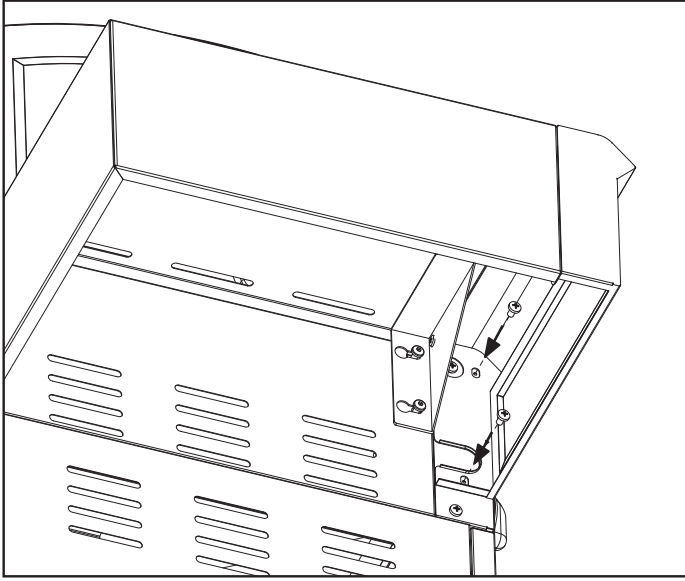
4a



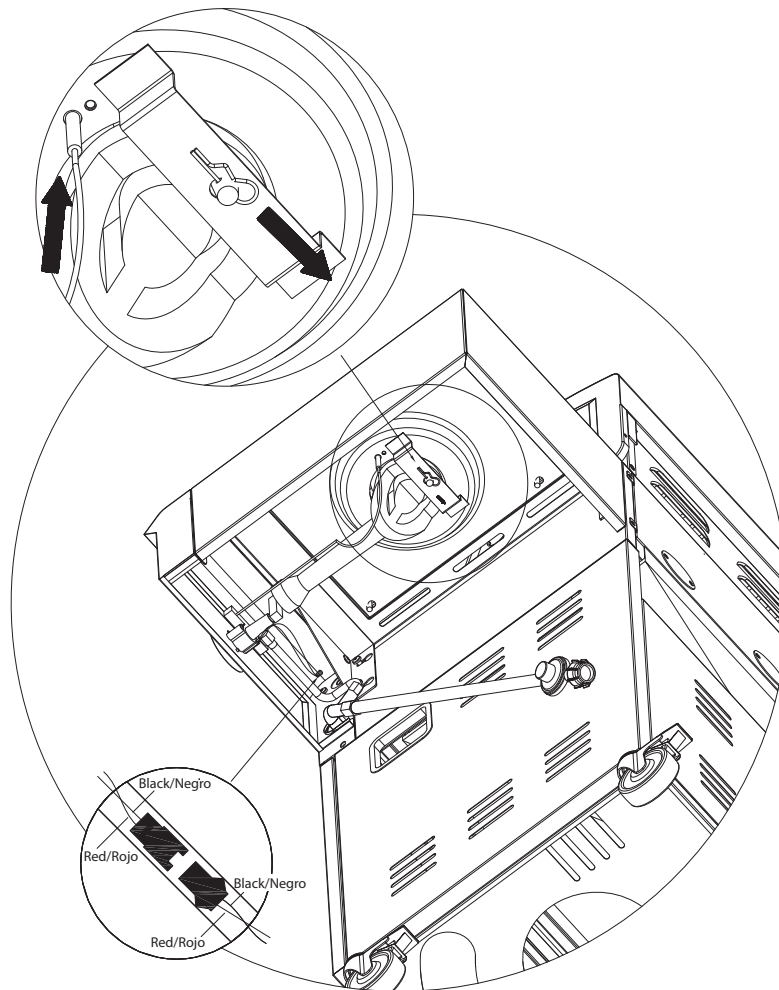
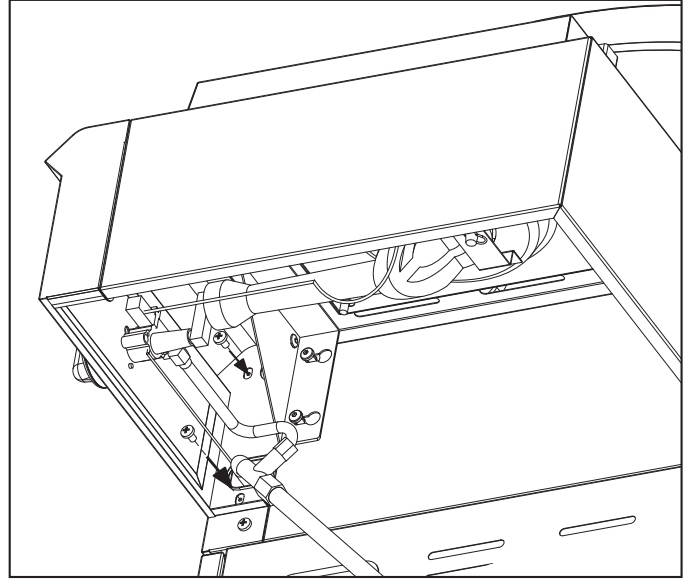
4b



5a



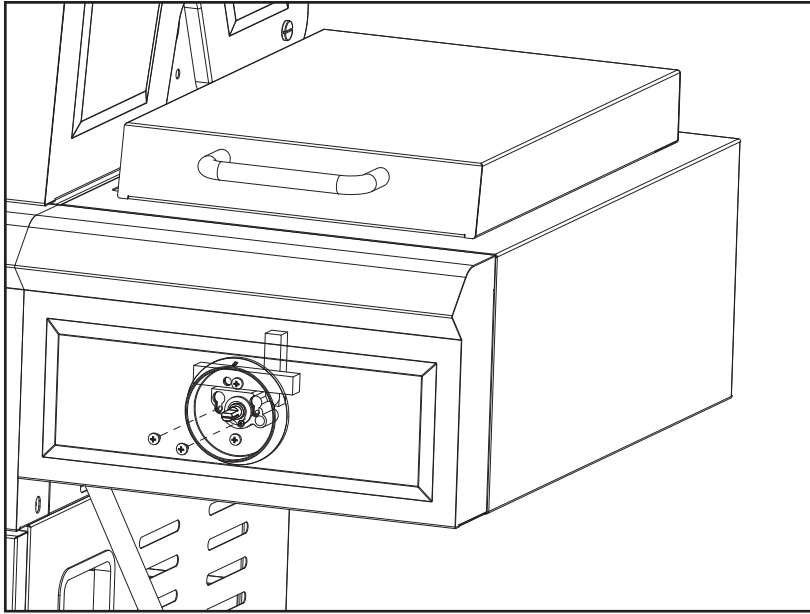
5b



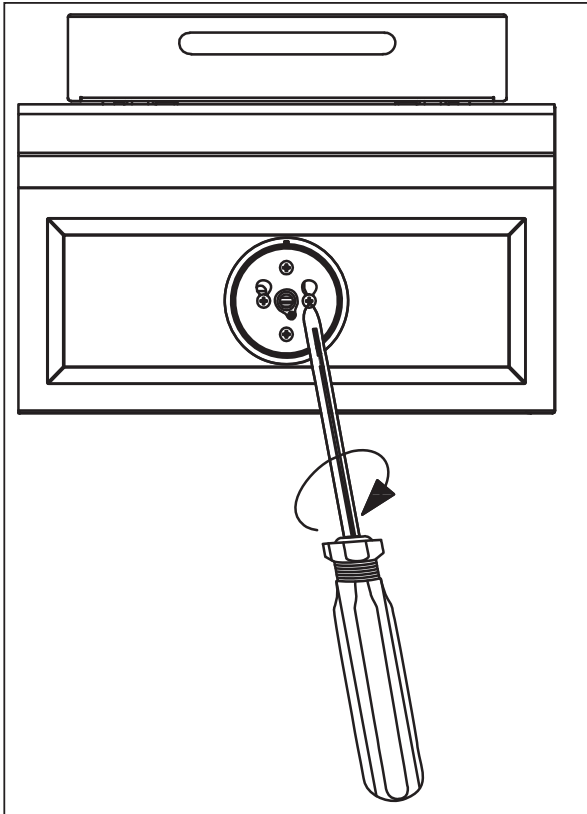
6



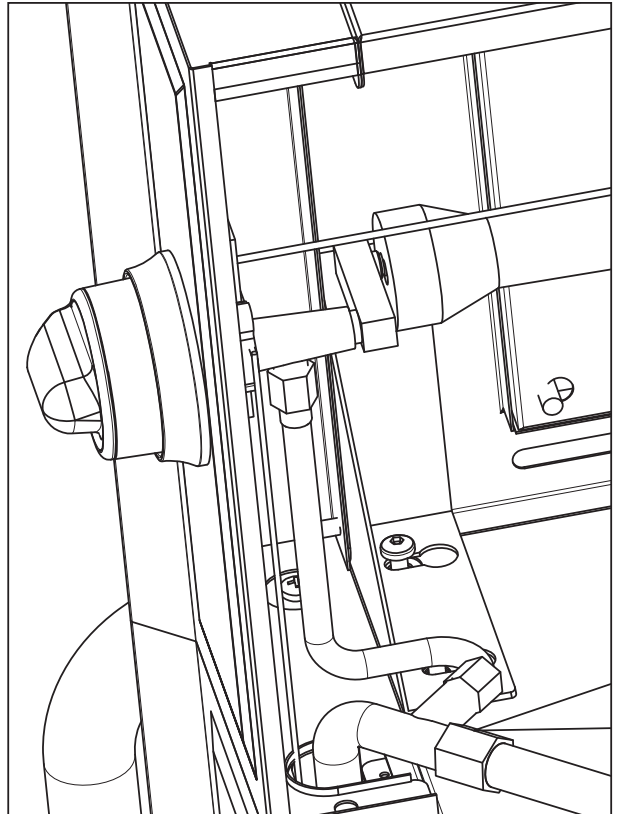
7

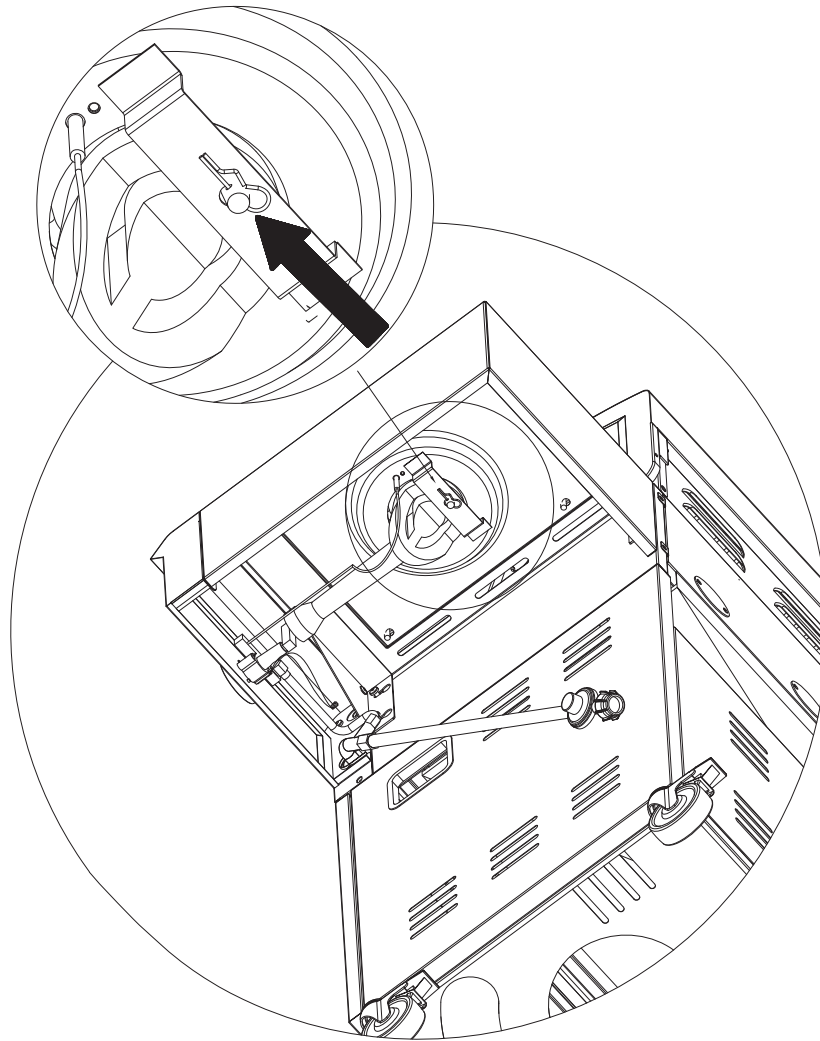


8a

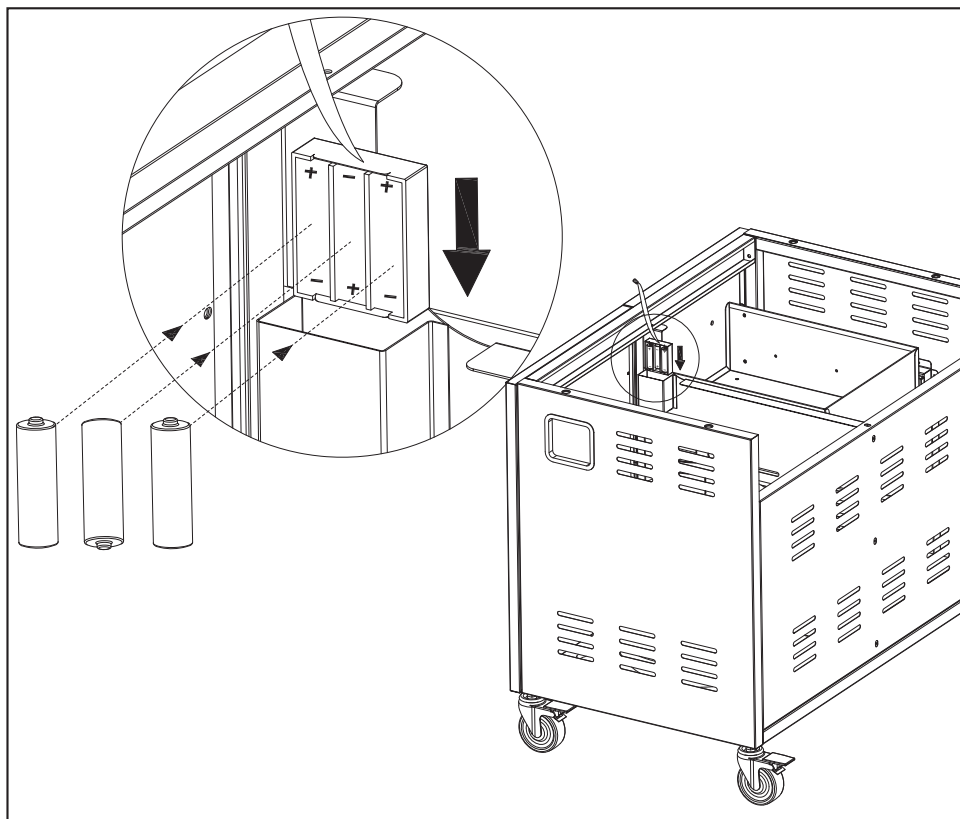


8b



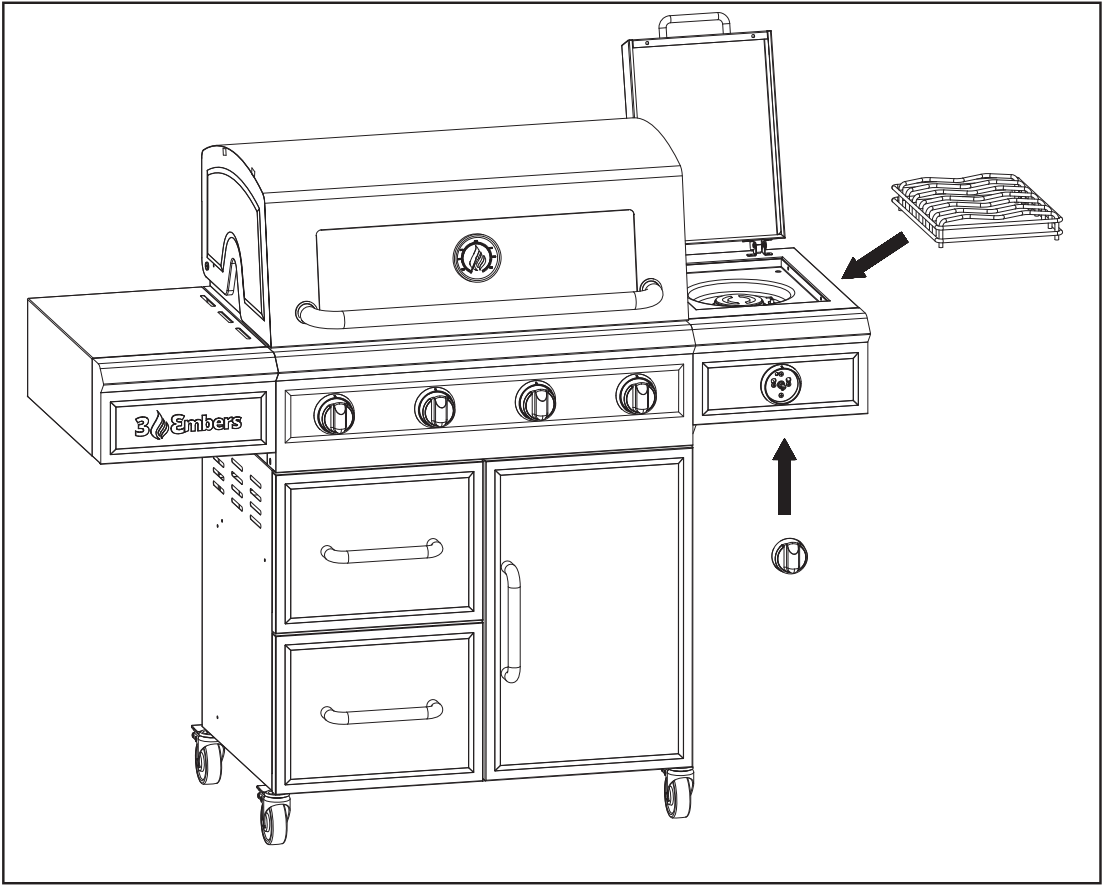


9

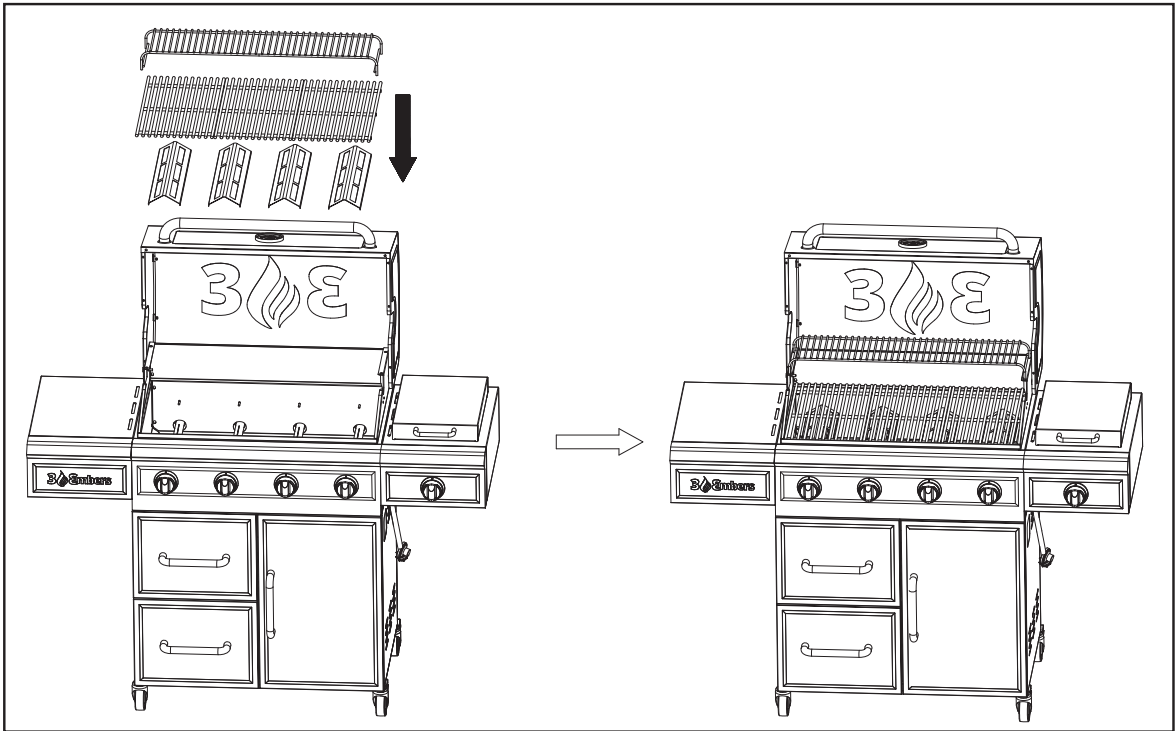


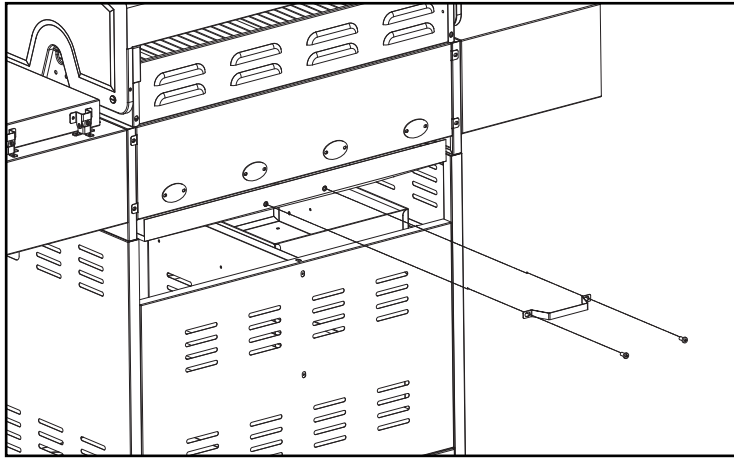
10

11

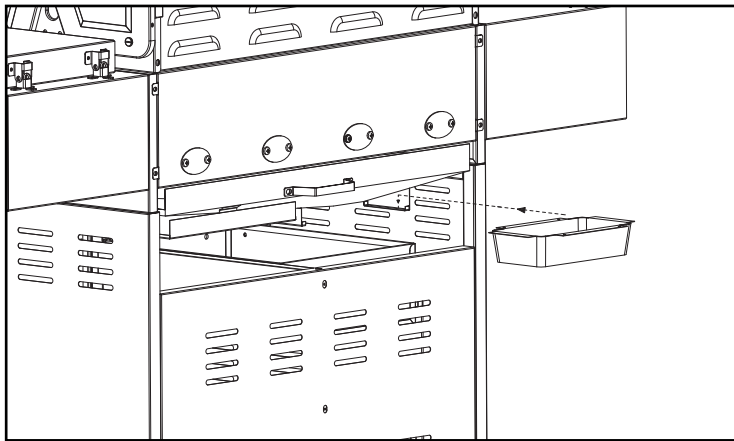


12

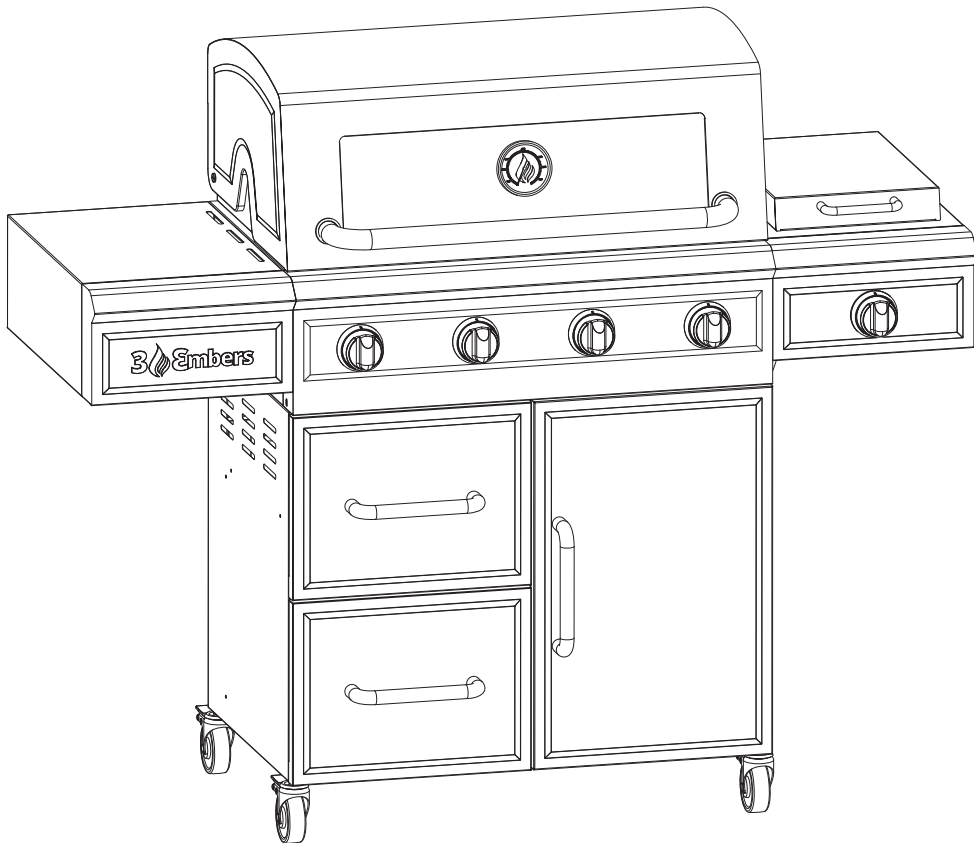




13




14





# AVERTISSEMENT

## IMPORTANTES RELATIVES À LA SÉCURITÉ

NOUS VOULONS QUE L'ASSEMBLAGE ET L'UTILISATION DE VOTRE GRIL SOIENT AUSSI SÉCURITAIRES QUE POSSIBLE. CE SYMBOLE  D'ALERTE DE SÉCURITÉ VISE À ATTIRER VOTRE ATTENTION SUR DES RISQUES POSSIBLES LORS DE L'ASSEMBLAGE ET DE L'UTILISATION DE VOTRE GRIL.

QUAND VOUS VOYEZ LE SYMBOLE D'ALERTE  PORTER UNE ATTENTION ÉTROITE AUX RENSEIGNEMENTS QUI SUIVENT!

 LIRE ATTENTIVEMENT TOUTES LES MISES EN GARDE DE SÉCURITÉ ET LES CONSIGNES AVANT D'ASSEMBLER ET D'UTILISER VOTRE GRIL.

### DANGER

SI VOUS DÉCELEZ UNE ODEUR DE GAZ:

1. Couper l'alimentation en gaz de l'appareil.
2. Éteindre toute flamme nue.
3. Ouvrir le couvercle.
4. Si l'odeur persiste, vous tenir à l'écart de l'appareil et téléphoner immédiatement à votre fournisseur de gaz ou au service d'incendie.

### AVERTISSEMENT

1. NE PAS garder ou utiliser de l'essence ou tout autre inflammable liquide ou vapeur à proximité de cet appareil ou de tout autre appareil.
2. Il ne faut pas garder une bouteille de GPL non raccordée à proximité de cet appareil ou de tout autre appareil.




### DANGER



- a) NE PAS ranger une bouteille de GPL de réserve sous cet appareil ou à proximité.
- b) Ne jamais remplir une bouteille à plus de 80% de sa capacité.
- c) Si les directives figurant aux points (a) et (b) ne sont pas respectées à la lettre, un incendie pouvant causer la mort ou des blessures graves pourrait survenir.

## TABLE DES MATIÈRES:

Avertissements généraux. . . . .	.29-30
Bonbonne de propane (réservoir) – Spécifications et installation . . . . .	.30-32
Boyau et régulateur – Spécifications et installation. . . . .	.32-33
Vérification des fuites. . . . .	.33-34
Liste de vérification avant le démarrage . . . . .	35
Directives d’allumage. . . . .	.35-36
Fonctionnement du gril . . . . .	.37-38
Autres caractéristiques du gril . . . . .	38
Entretien et soins adéquats. . . . .	.39-40
Transport et entreposage. . . . .	41
Dépannage. . . . .	.41-42
Conseils de cuisson pour gril. . . . .	43
Instructions d’assemblage . . . . .	.18-26
Renseignements au sujet de la garantie . . . . .	Couverture arrière

-  **DANGER:** Indique une situation risquée imminente qui, si elle n’est pas évitée, occasionnera des blessures graves ou mortelles.
-  **AVERTISSEMENT:** Pensez à la possibilité de blessures corporelles sérieuses si les directives ne sont passuivies. Assurez-vous de lire et de suivre avec soin tous les messages.
-  **MISE EN GARDE:** Indique une situation dangereuse potentielle qui, si elle n’est pas évitée, occasionnerades blessures mineures ou légères.

### AVERTISSEMENT DE LA PROPOSITION DE LA CALIFORNIE 65



**AVERTISSEMENT:** Ce produit peut vous exposer à des produits chimiques, y compris le monoxyde de carbone, qui sont connus pour l’état de Californie pour causer le cancer et la naissance défauts ou autres problèmes de reproduction.  
Pour plus d’informations, visitez [www.P65Warnings.ca.gov](http://www.P65Warnings.ca.gov).



### AVERTISSEMENT:

CONTIENT LE PLOMB. PEUT ÊTRE NOCIF SIMANGER OU MÂCHER. CONFORME NORMES FÉDÉRALES.

GARDER HORS DE LA PORTÉE DES ENFANTS.

Pour les accessoires et autres produits, s’il vous plaît visitez-nous à:

[www.embersgrills.com](http://www.embersgrills.com)

# AVERTISSEMENTS GÉNÉRAUX:

## ⚠ AVERTISSEMENT

- Faites un test de vérification de fuites avant la première utilisation, même si le gril a été acheté entièrement assemblé et après chaque remplissage du réservoir. Vérifiez le joint d'étanchéité en caoutchouc du réservoir de propane à la recherche de tout dommage.
- Vérifiez toujours le gril et le réservoir de propane avant chaque utilisation comme illustré dans les sections « Vérification des fuites » et « Liste de vérification avant le démarrage » de ce manuel.
- N'utilisez jamais de gaz naturel dans les unités conçues pour le gaz propane liquide.
- N'utilisez jamais de charbon de bois, de pierres de lave ou de briquettes de bois dans un gril au gaz. Les pépites aromatiques doivent être placées dans un contenant métallique résistant aux incendies pour recueillir les cendres et éviter un feu.
- Assurez-vous que des flammes sortent de chaque orifice du brûleur à chaque utilisation. Les araignées et les insectes aiment construire des nids dans les boyaux des brûleurs. Les boyaux de brûleurs obstrués peuvent empêcher le flux de gaz jusqu'aux brûleurs et causer un incendie dans le boyau du brûleur ou sous le gril.
- Ne vérifiez jamais les fuites avec une allumette ou une flamme nue.
- N'utilisez jamais ou n'entreposez jamais d'essence, d'essence à briquet, de diluant à peinture ou autres vapeurs et liquides inflammables ou de matériaux combustibles à l'intérieur ou à proximité de votre gril.
- N'obstruez PAS les espaces de ventilation sur les côtés, l'arrière ou le compartiment chariot du gril.
- Ne couvrez PAS les grilles de cuisson ou autres éléments avec du papier d'aluminium, ceci pourrait obstruer la ventilation et endommager le gril ou entraîner des blessures corporelles.
- Ne déposez jamais un poids supérieur à 7 kg (15 lb) sur la tablette latérale. Ne vous appuyez PAS sur les tablettes latérales. Ne soulevez PAS le gril en utilisant les tablettes latérales.
- Gardez les enfants et les animaux de compagnie à l'écart du gril lorsqu'il est chaud. Ne permettez PAS aux enfants d'utiliser ou de jouer près de ce gril.
- Ne laissez PAS le gril sans surveillance lorsqu'il est allumé ou en cours d'utilisation.
- Ne laissez PAS le boyau de gaz entrer en contact avec les surfaces chaudes. Redirigez le tuyau de gaz si nécessaire.
- Ne laissez PAS de la graisse ou du jus de cuisson chaud tomber sur le boyau et l'assemblage du régulateur. Si cela se produit, éteignez immédiatement l'alimentation en gaz. Videz le contenant/ plateau à graisse et nettoyez le boyau et l'assemblage du régulateur, et assurez-vous qu'il n'y ait aucun dommage avant l'utilisation.
- Ne cuisez jamais sur le gril sans que le contenant/plateau à graisse soit en place.
- Gardez tout cordon d'alimentation électrique loin de l'eau ou des surfaces chaudes.
- N'utilisez PAS d'eau pour éteindre un incendie de graisse. Fermer le couvercle pour éteindre un incendie de graisse est impossible. Utilisez un extincteur à poudre de classe BC ou étouffez-le avec de la terre, du sable ou du bicarbonate de soude.
- N'utilisez PAS le gril sous l'influence de drogues ou d'alcool.
- **POUR UTILISATION EXTÉRIEURE UNIQUEMENT.** N'utilisez PAS le gril à l'intérieur ou dans un endroit clos comme un garage, une remise ou un passage recouvert.
- Placez votre gril à l'extérieur sur une surface plane non combustible dans un endroit bien aéré, à une distance sécuritaire de 3,1 m (10 pi) de tout matériel combustible, bâtiments et éléments en porte à faux.
- Personnes vivant en appartement : Vérifiez avec l'administration et suivez les règlements et les codes relatifs aux incendies pour utiliser un gril au propane dans votre immeuble. N'utilisez qu'à l'extérieur au sol (et non sur un balcon, terrasse, garage, etc.) avec une distance minimale de 4,6 m (15 pi) de chaque côté de tout mur, structure ou matériel combustible.
- Conservez un dégagement minimum de 91 cm (36 po) entre les côtés du gril, balustrades, murs ou autre matériel combustible. Le non-respect de ces dégagements peut empêcher une ventilation adéquate et augmenter le risque d'incendie et de dommage à la propriété, ce qui pourrait aussi causer des blessures corporelles. N'utilisez PAS le gril dans une construction combustible non protégée.
- N'utilisez PAS ou n'installez pas ce gril à l'intérieur de, ou sur un véhicule récréatif ou un bateau.
- N'assemblez PAS ce modèle de gril dans une structure intégrée ou qui se glisse vers l'intérieur.
- Si une brosse à poils est utilisée pour nettoyer les surfaces de cuisson, assurez-vous qu'aucun poil ne demeure sur les surfaces de cuisson avant de faire des grillades, car les poils détachés pourraient se coller à la nourriture.
- N'entreposez PAS des éléments dans le chariot qui pourraient prendre feu ou endommager votre gril (comme de l'équipement de piscine/produits chimiques, linge de table, copeaux de bois).

- Le gril est chaud quand il est en cours d'utilisation. Pour éviter les brûlures :
  - Ne tentez PAS de déplacer le gril.
  - Bloquez les roues pour que l'unité ne puisse pas bouger accidentellement.
  - Portez des gants protecteurs ou mitaines pour le four.
  - Ne touchez PAS à une surface chaude du gril.
  - Ne portez PAS des vêtements amples ou permettre aux cheveux d'entrer en contact avec le gril.
- Ne convient pas à un usage commercial. N'utilisez PAS le gril à des fins autres que son utilisation prévue.

**⚠ FAITES PREUVE DE PRUDENCE ET DE DILIGENCE PENDANT LE FONCTIONNEMENT DE VOTRE GRIL AU GAZ.**

DES BLESSURES CORPORELLES GRAVES OU DES DOMMAGES À LA PROPRIÉTÉ PEUVENT SURVENIR SI VOUS NE RESPECTEZ PAS LES AVERTISSEMENTS ET LES DIRECTIVES DE CE MANUEL. CONSERVEZ CE MANUEL POUR VOUS Y RÉFÉRER ULTÉRIEUREMENT.

**BONBONNE DE PROPANE (RÉSERVOIR) – SPÉCIFICATIONS ET INSTALLATION :**

**⚠ AVERTISSEMENT**

- NE CONNECTEZ ce gril qu'à une valve de bonbonne de type 1. Le type 1 s'identifie par les gros filets externes sur la sortie de la valve.
- NE CONNECTEZ PAS à une bonbonne de gaz d'une capacité dépassant 9,1 kg (20 lb).
- NE CONNECTEZ PAS à une bonbonne qui n'utilise aucun autre type de dispositif de raccord de valve.
- Inspectez le joint d'étanchéité en caoutchouc du réservoir de propane à la recherche de toute fissure, usure ou détérioration avant l'utilisation. Un joint d'étanchéité en caoutchouc endommagé peut provoquer une fuite de gaz, pouvant causer une explosion, un incendie ou des dommages corporels sévères.
- Fermez la valve de la bonbonne si vous n'utilisez pas le gril.
- Manipulez le réservoir avec soin.
- Fixez toujours la bonbonne en position verticale.
- Ne connectez jamais une bonbonne de propane non réglementée à votre gril.
- N'exposez PAS les bonbonnes de propane à une chaleur excessive ou à une source d'allumage.
- N'entreposez PAS une bonbonne de propane de rechange sous ou près du gril.
- Ne laissez que les dépositaires de propane qualifiés remplir ou réparer votre bonbonne de propane.
- Ne laissez PAS la bonbonne se remplir à plus de 80 % de sa capacité.
- Lisez et suivez tous les avertissements et les directives qui se trouvent sur les bonbonnes et qu accompagnent ce produit.

**⚠ DANGER**

- N'entreposez PAS une bonbonne de propane (pleine ou vide) sous ou près du gril. Cela pourrait occasionner une pression excessive expulsée par le clapet de dégazage provoquant un incendie, une explosion ou des blessures corporelles sévères, voire la mort.
- Le gaz propane est plus lourd que l'air et s'accumule dans les endroits bas. Une ventilation appropriée est extrêmement importante. Maintenez la ou les ouvertures de ventilation du boîtier de la bonbonne de propane libre de toute obstruction et tous débris.
- N'insérez PAS d'objet étranger dans la sortie de valve de la bonbonne, car ceci pourrait endommager le joint en caoutchouc. N'utilisez pas un réservoir de propane dont le joint d'étanchéité en caoutchouc a été endommagé. Un joint d'étanchéité en caoutchouc endommagé peut provoquer une fuite de gaz, pouvant créer une explosion, un incendie ou des dommages corporels sévères, voire la mort. Inspectez le joint d'étanchéité en caoutchouc à la recherche de toute fissure, usure ou détérioration avant l'utilisation.
- Conservez toujours la bonbonne (réservoir) en position verticale au cours de l'utilisation, le déplacement ou l'entreposage.



## CARACTÉRISTIQUES DE LA BONBONNE (RÉSERVOIR) DE PROPANE:

### Bonbonne de propane (non fournie avec ce gril)

La bonbonne de propane (propane liquide) spécifiquement conçue pour être utilisée avec ce gril doit avoir une dimension de 30,5 cm de diamètre x 45,7 cm de haut (12 x 18 po) et avoir une capacité de 9,1 kg (20 lb) avec une valve de bonbonne de type 1 intégrée et un dispositif de prévention de remplissage excessif.

Ce gril est conçu pour convenir aux bonbonnes des marques Worthington, Manchester ou SMPC de 9,1 kg (20 lb). D'autres marques de bonbonnes approuvées par le DOT (Département des transports américain) peuvent convenir à ce gril si la bonbonne a des dimensions supérieures et inférieures des anneaux similaires.

L'installation de cet appareil doit être conforme :

Aux codes locaux applicables, ou en l'absence de codes locaux,

- Code National du Gaz Combustible ANSI Z223.1 NFPA 54
- Code d'installation du gaz naturel et propane : CAN/CGA B149.1
- Code d'installation du gaz naturel : CAN/CGA B149.1 (Canada)
- Code d'installation du propane : CAN/CGA B149.2 (Canada)

Pour connaître les codes s'appliquant à votre situation, communiquez avec votre dépositaire de propane local ou votre compagnie de gaz naturel. Ce gril n'a pas été conçu pour être branché à une ligne de gaz naturel. Si une source de courant électrique externe est utilisée, elle doit être mise électriquement à la terre conformément aux codes locaux, ou en l'absence de codes locaux, au Code national de l'électricité ANSI/NFPA 70, ou le Code canadien de l'électricité, CSA 22.1.

Lors de l'achat ou de l'échange d'une bonbonne pour votre gril au gaz, celle-ci doit être fabriquée et étiquetée conformément aux spécifications des bonbonnes de propane du Département des Transports américain (DOT) ou de la Norme nationale du Canada, CAN/CSA C339 Bouteilles et tubes utilisés pour le transport des marchandises dangereuses; en service, le cas échéant; et fournie avec un dispositif de prévention de remplissage excessif ainsi qu'un système de connexion cylindrique compatible avec la connexion pour les appareils de cuisson extérieure.

La bonbonne doit également être équipée :

- D'une valve d'arrêt dans une sortie de valve de bonbonne de gaz de type 1.
- D'une valve de type 1 qui empêche le flux de gaz jusqu'à ce qu'une étanchéité parfaite soit obtenue.
- Une mesure pour l'évacuation de la vapeur.
- Un collet pour protéger la valve d'arrêt de la bonbonne.
- Un opercule de sécurité en lien direct avec l'espace réservé à la vapeur de la bonbonne.
- Un dispositif de prévention de remplissage excessif homologué.

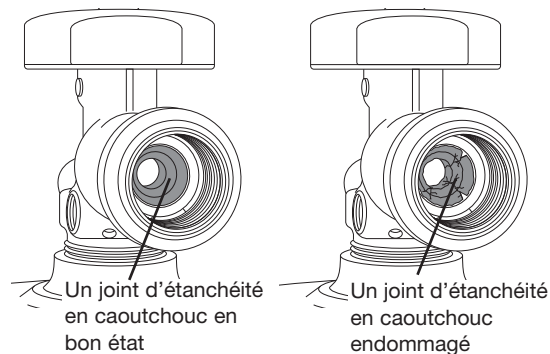
## REPLISSAGE DE LA BONBONNE DE PROPANE (RÉSERVOIR):

### ⚠ AVERTISSEMENT

- **Ne permettez qu'aux dépositaires de propane qualifiés de remplir correctement ou réparer votre bonbonne de propane.**
- **Les nouveaux réservoirs doivent être purgés avant d'être remplis; informez votre dépositaire de propane si vous utilisez un nouveau réservoir.**
- **NE LAISSEZ PAS la bonbonne se remplir à plus de 80% de sa capacité. Les réservoirs trop pleins peuvent être dangereux. Les réservoirs trop pleins peuvent accumuler de la pression et entraîner des émanations de gaz propane par la valve de surpression. La vapeur est un combustible. Si elle entre en contact avec une source d'étincelles ou une flamme, une explosion peut se produire, causant des brûlures sévères, blessures corporelles, voire la mort.**
- **Utilisez toujours un capuchon protecteur de bonbonne lorsque le gril n'est pas branché à la bonbonne.**
- **Si vous échangez la bonbonne selon un programme d'échange qualifié, la nouvelle bonbonne doit avoir une valve de type 1 et un dispositif de prévention de remplissage excessif homologué.**
- **Inspectez le joint d'étanchéité en caoutchouc du réservoir de propane à la recherche de toute fissure, usure ou détérioration avant l'utilisation. Un joint d'étanchéité en caoutchouc endommagé peut provoquer une fuite de gaz, pouvant causer une explosion, un incendie ou des dommages corporels sévères.**

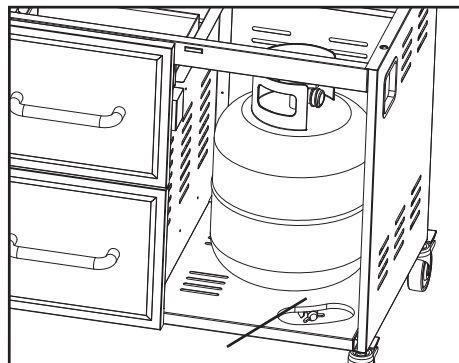
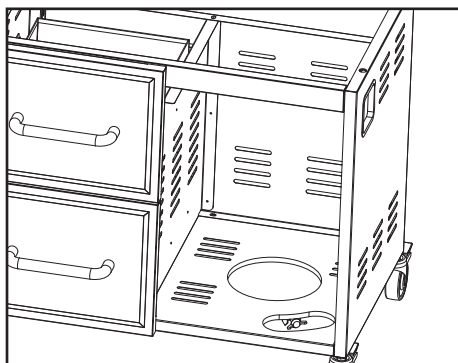
## INSPECTION DU JOINT D'ÉTANCHÉITÉ EN CAOUTCHOUC D'UNE BONBONNE (RÉSERVOIR) DE PROPANE:

- Inspectez le joint d'étanchéité en caoutchouc du réservoir de propane à la recherche de toute fissure, usure ou détérioration avant l'utilisation. Un joint d'étanchéité en caoutchouc endommagé peut provoquer une fuite de gaz, pouvant causer une explosion, un incendie ou des dommages corporels sévères.
- Une inspection doit être faite chaque fois que le réservoir de propane est branché au grill, a été rempli, échangé ou n'a pas été utilisé pendant plus de 60 jours.
- N'utilisez pas un réservoir de propane dont le joint d'étanchéité en caoutchouc a été endommagé. Échangez le réservoir ou faites remplacer le joint d'étanchéité en caoutchouc dans une station de remplissage de propane qualifiée.



## INSTALLATION DE LA BONBONNE (RÉSERVOIR) DE PROPANE AU GRIL:

1. Vous assurer que le robinet de la bouteille est fermé en tournant la poignée dans le sens horaire.
2. Placer la bouteille dans le support de bouteille, au bas de la base du chariot.
3. Orienter la bouteille de sorte que l'ouverture du robinet soit tournée vers le brûleur latéral, de manière à ne pas couder ou endommager le tuyau.
4. Soulever le fil de sûreté du réservoir pour attacher la bouteille au support de réservoir.



Vis de conservation de réservoir

## BOYAU ET RÉGULATEUR - SPÉCIFICATIONS ET INSTALLATION:

### ⚠ AVERTISSEMENT

- Ne tentez PAS de relier le grill, conçu pour fonctionner au propane, à toute autre source d'alimentation en combustible comme à une ligne de gaz naturel. Les barbecues acceptant deux types de carburants peuvent être convertis au gaz naturel à l'aide d'une trousse de conversion 3 Embers qui sera achetée et installée afin de pouvoir utiliser le gaz naturel.
- N'UTILISEZ PAS d'autre régulateur de pression/ensemble de boyau que ce qui est fourni avec votre grill. Pour le remplacement du régulateur de pression/ensemble de boyau, vous devez utiliser la pièce no REP6580AF, qui peut être obtenue en communiquant avec le service à la clientèle au 855-735-9922.
- N'ESSAYEZ PAS d'ajuster ou de réparer un régulateur. Le régulateur est conçu pour fonctionner à une pression de sortie de colonne d'eau maximale (2,74 kPa) de 27,94 cm (11 po).
- Assurez-vous que la valve du réservoir est FERMÉE avant de connecter la bonbonne de propane à votre grill. Tournez la poignée de la valve dans le sens horaire pour bien fermer la valve. Lisez et suivez tous les avertissements et directives sur les étiquettes de sécurité qui se trouvent sur le boyau d'alimentation. Lisez et suivez tous les avertissements dans ce manuel concernant l'utilisation sécuritaire des bonbonnes de propane, du boyau et du régulateur avant de connecter la bonbonne au grill. Lisez et suivez tous les avertissements indiqués sur la bonbonne de propane.

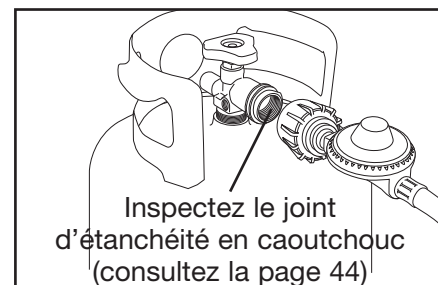
## BOYAU ET RÉGULATEUR:

Votre gril est équipé d'un dispositif de connexion de type 1 possédant les caractéristiques suivantes:

1. Le système ne permettra pas le flux de gaz jusqu'à ce qu'il y ait une connexion positive à la valve.  
**Note:** La valve de la bonbonne et tous les boutons des brûleurs du gril doivent être en position FERMÉE avant d'effectuer ou de retirer une connexion.
2. Un limiteur de débit, lorsqu'il est activé, restreint le débit de gaz à 0,28 m<sup>3</sup> (10 pi<sup>3</sup>) par heure. Si le limiteur de débit est activé, effectuez la procédure de réinitialisation du régulateur.  
**Note:** Si votre gril ne devient pas assez chaud pour faire cuire les aliments, le limiteur de débit peut avoir été activé.

## CONNEXION DU BOYAU ET DU RÉGULATEUR:

1. Inspectez le joint d'étanchéité en caoutchouc de la valve du réservoir de propane à la recherche de toute fissure, usure ou détérioration avant l'utilisation. Un joint d'étanchéité en caoutchouc endommagé peut provoquer une fuite de gaz, pouvant créer une explosion, un incendie ou des dommages corporels sévères. N'utilisez pas un réservoir de propane dont le joint d'étanchéité en caoutchouc a été endommagé.
2. Connectez ou déconnectez le régulateur à la bonbonne seulement lorsque la bonbonne repose dans le support.
3. Vérifiez si la valve de la bonbonne de gaz est bien fermée en tournant le robinet dans le sens horaire.
4. Assurez-vous que les boutons de commande des brûleurs du gril sont en position « ÉTEINT ».
5. Effectuez une inspection visuelle de l'ensemble de boyaux avant chaque utilisation à la recherche de tout signe de dommage, usure excessive ou détérioration. Dans ce cas, remplacez l'ensemble de boyaux avant d'utiliser le gril. N'utilisez que les pièces de remplacement fournies par le fabricant.
6. Retirez le capuchon de protection en plastique de la valve de la bonbonne.
7. Vérifiez que le boyau ne contient pas de plis, n'est pas en contact avec des arêtes coupantes ou des surfaces pouvant devenir chaudes au cours de l'utilisation.
8. Maintenez le régulateur et insérez la tige en laiton dans la sortie de valve de la bonbonne de propane. Assurez-vous que le dispositif est bien centré.
9. Tournez le grand écrou de serrage dans le sens horaire manuellement, et serrez jusqu'à ce qu'il s'arrête complètement. Faites attention de ne pas fausser le filetage de l'écrou de serrage sur la valve de la bonbonne. N'utilisez pas d'outil pour serrer la connexion.  
**Note:** Si vous êtes incapable d'effectuer la connexion, répétez les étapes 7 et 8.
10. Vérifiez toutes les connexions à la recherche de fuites avant d'allumer votre gril. Consultez la section « Vérification des fuites » dans ce manuel.



## PROCÉDURE DE RÉINITIALISATION DU RÉGULATEUR:

Si votre gril ne devient pas assez chaud pour faire cuire les aliments, le limiteur de débit peut avoir été activé.

Réinitialisation rapide:

Tournez tous les boutons de commande des brûleurs en position « ÉTEINT » et fermez la valve de la bonbonne. Attendez 1 minute. Tournez lentement la valve de la bonbonne en position « OUVRIR » et rallumez le gril. Si la flamme du brûleur est plus haute et que le gril chauffe convenablement, continuez votre cuisson.

Réinitialisation complète:

Tournez TOUS les boutons de commande des brûleurs en position « ÉTEINT » et fermez la valve de la bonbonne. Déconnectez le boyau et le régulateur de la bonbonne. Attendez 2 minutes, connectez le boyau et le régulateur et effectuez une vérification des fuites.

## VÉRIFICATION DES FUITES:

### ⚠ AVERTISSEMENT

- **N'utilisez jamais le gril sans vérification des fuites de toutes les connexions de gaz, les boyaux et le réservoir de propane. Consultez la section « Vérification des fuites » du manuel pour obtenir les procédures adéquates.**

## ⚠ DANGER

Pour prévenir les incendies ou les risques d'explosion:

- **NE FUMEZ PAS** ou ne laissez pas des sources d'allumage à proximité pendant que vous faites une vérification des fuites.
- Effectuez la vérification à l'**EXTÉRIEUR** dans une zone bien aérée et protégée du vent.
- N'effectuez jamais une vérification des fuites avec une allumette ou une flamme nue.
- N'effectuez jamais une vérification des fuites pendant que vous utilisez le gril ou si celui-ci est encore chaud.

### QUAND FAIRE LA VÉRIFICATION DES FUITES:

- Après avoir assemblé votre gril et avant de l'allumer pour la première fois, même si vous l'avez acheté entièrement assemblé.
- Chaque fois que votre bonbonne de propane est remplie ou échangée, ou si une ou plusieurs composantes de propane sont déconnectées ou remplacées.
- Chaque fois que votre gril est déplacé.
- Au moins une fois par année, ou si vous n'avez pas utilisé votre gril pendant plus de 60 jours.

### VÉRIFICATION DES FUITES:

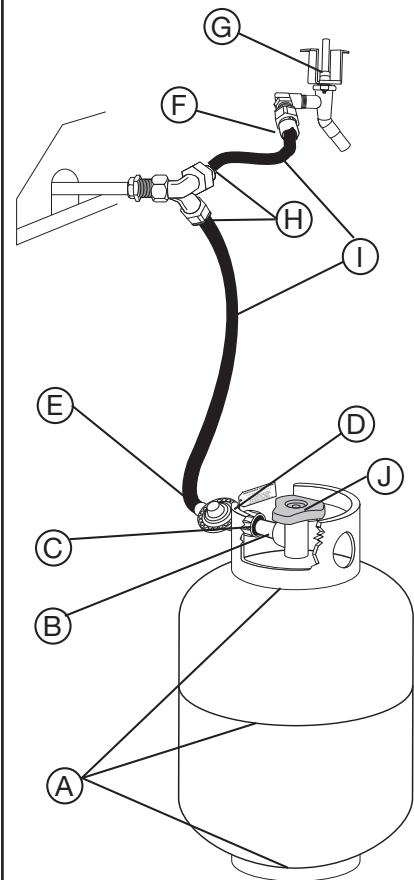
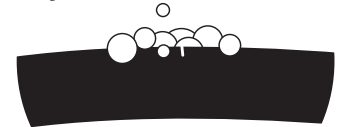
⚠ **MISE EN GARDE:** Des odeurs fortes, un rhume, une congestion des sinus, ou toute autre situation peut empêcher la détection d'une odeur de propane. Faites preuve de prudence et de bon sens lorsque vous effectuez une vérification des fuites.

Note: La vérification des fuites doit être faite dans un endroit bien éclairé pour pouvoir voir si des bulles se forment, et non dans un endroit venteux ou bruyant afin de détecter les plus grosses fuites par l'odeur ou le son.

1. Créez un mélange fait de 50 % d'eau et 50 % de détergent à vaisselle.
2. Ouvrez le couvercle.
3. Assurez-vous que tous les boutons de commande sont réglés en position « ÉTEINT ».
4. Allumez le gaz à la valve de la bonbonne. Tournez le robinet de la valve de la bonbonne dans le sens antihoraire jusqu'à pleine ouverture. Si vous entendez un son strident ou sentez du gaz, coupez le gaz. Resserrez toutes connexions ayant des fuites. Si une fuite est détectée à l'écrou de raccord, et si resserrer l'écrou n'arrête pas la fuite, vérifiez de nouveau le joint d'étanchéité du réservoir de propane.
5. Appliquez le mélange d'eau savonneuse à ce qui suit :
  - (A) Soudure du réservoir (bouteille) d'alimentation.
  - (B) Écrou de raccordement au robinet du réservoir.
  - (C) Arrière de l'écrou de raccordement au raccord fileté de laiton.
  - (D) Raccordement du raccord fileté de laiton dans régulateur.
  - (E) Raccords du régulateur aux tuyaux de gaz.
  - (F) Capuchon de la tige de soupape du brûleur à infrarouge.
  - (G) Connexion au tuyau du brûleur à infrarouge.
  - (H) Raccord du tuyau au collecteur de gaz.
  - (I) La pleine longueur du tuyau de gaz.
  - (J) Valve de réservoir au cylindre.
6. Vérifiez chaque élément énuméré (A-J) à la recherche d'une formation de bulles, ce qui indiquerait une fuite. Les grosses fuites peuvent ne pas être détectées avec les bulles, mais émettent un son strident ou une odeur de gaz.
7. Éteignez l'alimentation en gaz à la valve de la bonbonne.
8. Tournez les boutons de commande pour libérer la pression du gaz dans le boyau.
9. Tournez les boutons de commande en position « ÉTEINT ».
10. Resserrez toutes les connexions qui fuient. Si une fuite est détectée à l'écrou de raccord et si resserrer l'écrou de raccord n'arrête pas la fuite, vérifiez de nouveau le joint d'étanchéité du réservoir de propane. (Consultez la page 44)
11. Répétez la vérification avec l'eau savonneuse jusqu'à ce qu'aucune fuite ne soit détectée.
12. Éteignez l'alimentation en gaz à la valve de la bonbonne jusqu'au moment où vous serez prêt à utiliser votre gril.
13. Nettoyez les résidus d'eau savonneuse avec de l'eau froide et essuyez avec un linge.
14. Attendez 5 minutes pour permettre au gaz d'évacuer la région avant d'allumer votre gril.

⚠ **AVERTISSEMENT:** N'utilisez PAS le gril s'il vous est impossible d'arrêter les fuites. Communiquer avec un technicien de service qualifié en réparation d'appareil au gaz.

Soyez à l'affût des bulles



# LISTE DE VÉRIFICATION AVANT LE DÉMARRAGE:

## ⚠ DANGER

Des dommages à la propriété, blessures corporelles, brûlures graves, voire la mort pourraient résulter du non-respect de ces étapes de sécurité. Ces étapes doivent être effectuées après l'assemblage du gril et avant chaque utilisation. Ne faites PAS fonctionner le gril jusqu'à ce que vous ayez lu et compris TOUS les avertissements et directives de ce manuel.

- Assurez-vous que le gril est assemblé correctement.
- Inspectez le boyau d'alimentation de gaz à la recherche de brûlures, fissures, pincements et vérifiez le fonctionnement adéquat avant chaque utilisation. Le boyau doit être remplacé avant d'utiliser le gril en cas de présence de corrosion évidente ou d'usure excessive ou si le boyau est coupé. Communiquez avec le Service à la clientèle au 855-735-9922 pour obtenir un boyau et un régulateur de remplacement de modèle REP6580AF.
- Vérifiez les fuites sur toutes les connexions de gaz, boyau et réservoir de propane. Consultez la section « Vérification des fuites ».
- Assurez-vous que tous les cordons d'alimentation électrique sont correctement mis à la terre. Maintenez tout cordon d'alimentation électrique ainsi que le boyau d'alimentation en gaz loin des surfaces chaudes. Le boyau doit être à au moins 7,6 cm (3 po) des surfaces chaudes.
- Placez votre gril à l'extérieur sur une surface de niveau non combustible dans un endroit bien aéré, à une distance sécuritaire de 3,1 m (10 pi) de tout matériel combustible, bâtiments et éléments en porte à faux.
- Placez le contenant à graisse vide correctement sous le trou du drain en dessous du gril pour attraper la graisse durant la cuisson.
- N'obstruez PAS les espaces de ventilation sur les côtés, l'arrière ou dans le compartiment chariot du gril.

## DIRECTIVES D'ALLUMAGE:

### ⚠ AVERTISSEMENT

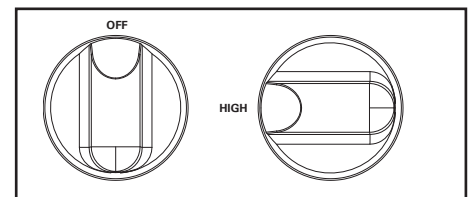
Assurez-vous de bien lire, comprendre et suivre tous les avertissements et directives contenus dans ce manuel. N'ignorez PAS les avertissements et directives contenus dans les sections précédentes de ce manuel.

Suivez les directives à la lettre.

1. **OUVREZ LE COUVERCLE DU GRIL** avant d'essayer d'allumer un brûleur afin que les émanations ne s'accumulent pas à l'intérieur du gril. Une explosion pourrait se produire si le couvercle du gril est fermé.
2. Assurez-vous que les boutons de commande des brûleurs et la valve de la bonbonne sont en position « ÉTEINT ».
3. Allumez l'alimentation en gaz en tournant lentement le robinet de la valve de la bonbonne dans le sens antihoraire jusqu'à l'ouverture complète.
4. Ne placez PAS votre tête, votre corps ou vos bras au-dessus du gril pendant que vous l'allumez.

### ALLUMER LES BRÛLEURS PRINCIPAUX:

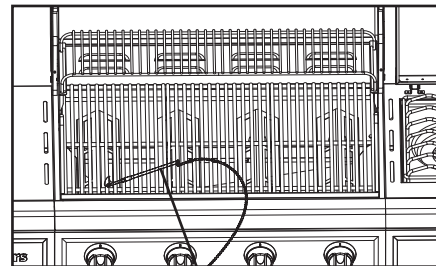
1. Ouvrez le couvercle avant d'allumer le brûleur.
2. Assurez-vous que tous les boutons de contrôle sont en position « ÉTEINT ».
3. Choisissez le brûleur à allumer. Poussez et tournez le bouton de contrôle de ce brûleur à la position « ÉLEVÉ ».
4. Pour allumer le brûleur, appuyez sur l'allumeur électronique et maintenez-le enfoncé pendant 3 à 5 secondes.
5. Si le brûleur ne s'allume PAS en 5 secondes, tournez le bouton de contrôle à la position « ÉTEINT » attendez 5 minutes pour permettre au gaz de se dissiper et répétez la procédure d'allumage.
6. Pour allumer chaque brûleur, répétez les étapes 3 à 5. Pour allumer chaque brûleur, utilisez toujours un allumeur électronique. Si le brûleur ne s'allume pas à l'aide d'un allumeur à bouton-poussoir, attendez 5 minutes, voir la section « Allumer le brûleur avec une allumette ».
7. Pour éteindre, tournez le bouton de contrôle dans le sens horaire jusqu'à ce qu'il se bloque en position « ÉTEINT ». L'arrivée du gaz ne sera pas coupée de la bouteille.



Note : Si le brûleur ne s'allume pas ou si la flamme est trop basse, voir la section « Dépannage » du manuel de l'utilisateur.

## ALLUMAGE DU BRÛLEUR PRINCIPAL AVEC UNE ALLUMETTE

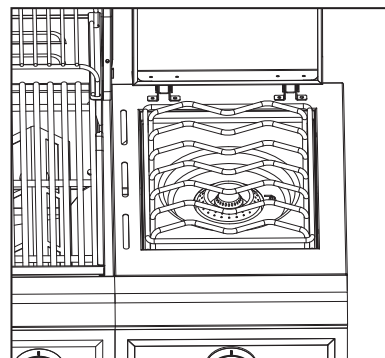
1. Ouvrez le couvercle avant d'allumer le brûleur.
  2. Tournez les boutons de commande du brûleur à la position « ÉTEINT ».
  3. Placez une allumette de carton à l'extrémité de l'allumoir. Frottez l'allumette et insérez-la à travers la grille de cuisson et sous le diffuseur à une distance d'environ 1,3 cm (1/2 po) du brûleur afin de l'allumer.
  4. Enfoncez et tournez le bouton de commande du brûleur à la position « ÉLEVÉ ». Le brûleur doit s'allumer dans les 5 secondes.
  5. Si le brûleur ne s'allume pas, tournez le bouton de commande à la position « ÉTEINT » et attendez 5 minutes afin que le gaz puisse se dissiper avant de reprendre la procédure d'allumage.
  6. Pour allumer les autres brûleurs, répétez les étapes 3 à 5 pour chaque brûleur.
  7. Si le brûleur ne s'allume pas lors des premières tentatives d'allumage avec une allumette, ceci indique qu'il y a un problème avec l'alimentation de gaz. Fermez l'arrivée de gaz du brûleur et le robinet du réservoir. N'essayez PAS de faire fonctionner le barbecue sans avoir repéré le problème et l'avoir corrigé.
- Note : Si le brûleur ne s'allume pas ou si la flamme est trop faible, consultez le chapitre « Dépannage » du manuel du propriétaire.



Allumeur-allumette

## ALLUMAGE DU BRÛLEUR LATÉRAL :

1. Ouvrez le couvercle avant d'allumer le brûleur latéral.
  2. Assurez-vous que le bouton de commande est la position « ÉTEINT ».
  3. Enfoncez et tournez le bouton de commande du brûleur latéral à la position « ÉLEVÉ ».
  4. Appuyez sur l'allumoir électronique situé sur le panneau de commande principal et maintenez-le enfoncé pendant 3 à 5 secondes afin d'allumer le brûleur.
  5. Si l'allumage ne se produit pas dans les 5 secondes, tournez le bouton de commande à la position « ÉTEINT » attendez 5 minutes afin que le gaz puisse se dissiper avant de reprendre la procédure d'allumage.
  6. Pour éteindre, tournez bouton de commande vers la droite jusqu'à ce qu'ils se bloquent à la position « ÉTEINT ».
- Note : Si le brûleur ne s'allume pas ou si la flamme est trop faible, consultez le chapitre « Dépannage » du manuel du propriétaire.

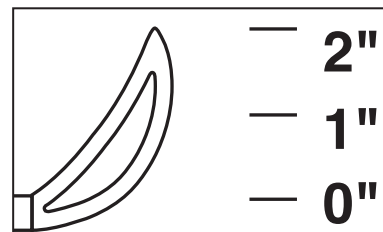


## ALLUMAGE DU BRÛLEUR LATÉRAL AVEC UNE ALLUMETTE :

1. Ouvrez le couvercle avant d'allumer le brûleur latéral.
  2. Assurez-vous que le bouton de commande est la position « ÉTEINT ».
  3. Frottez l'allumette et placez-la à environ 1,3 cm (1/2 po) du brûleur.
  4. Poussez et tournez le bouton de commande du brûleur latéral à la position « ÉLEVÉ ». Le brûleur doit s'allumer dans les 5 secondes.
  5. Si le brûleur ne s'allume pas, tournez le bouton de commande à la position « ÉTEINT » et attendez 5 minutes afin que le gaz puisse se dissiper avant de reprendre la procédure d'allumage.
  6. Si le brûleur ne s'allume pas lors des premières tentatives d'allumage avec une allumette, ceci indique qu'il y a un problème avec l'alimentation de gaz. Fermez l'arrivée de gaz du brûleur et le robinet du réservoir. N'essayez PAS de faire fonctionner le barbecue sans avoir repéré le problème et l'avoir corrigé.
- Note : Si le brûleur ne s'allume pas ou si la flamme est trop faible, consultez le chapitre « Dépannage » du manuel du propriétaire.

Note: Observez la hauteur de la flamme à l'allumage : La flamme devrait être bleue/jaune et entre 2,54 et 5,08 cm (1 et 2 po) lorsque le brûleur est en position « ÉLEVÉ ».

Consultez la section sur le réglage des brûleurs dans le manuel pour ajuster la flamme.



# FONCTIONNEMENT DU GRIL:

## ⚠ AVERTISSEMENT

- Lisez et suivez tous les avertissements et directives se trouvant aux chapitres précédents de ce manuel.
- N'utilisez jamais de charbon de bois, de pierres de lave ou de briquettes de bois dans un gril au gaz. Les pépites aromatiques doivent être placées dans un contenant métallique résistant aux incendies pour recueillir les cendres et éviter un feu.
- Ne couvrez PAS les grilles de cuisson ou autres éléments avec du papier d'aluminium, ceci pourrait obstruer la ventilation et endommager le gril ou entraîner des blessures corporelles.
- Ne laissez PAS votre gril sans surveillance lorsqu'il est en position « OUVRIR » ou en cours d'utilisation.
- Ne déplacez PAS le gril lorsqu'il est en cours d'utilisation.
- N'utilisez PAS d'eau pour éteindre un incendie de graisse. Fermer le couvercle pour éteindre un incendie de graisse est impossible. Utilisez un extincteur à poudre de classe BC ou étouffez-le avec de la terre, du sable ou du bicarbonate de soude.
- Ne jamais cuire sur le gril sans que le contenant/plateau à graisse soit en place.

## PRÉPARATION DE VOTRE GRIL:

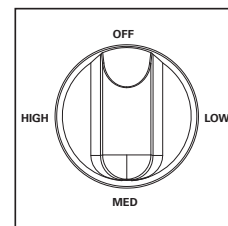
- Lors de la fabrication et pour préserver les composantes de votre gril, des résidus d'huile peuvent se retrouver sur les brûleurs et les surfaces de cuisson de votre gril.
- Avant de cuire sur votre gril pour la première fois, vous devez le préchauffer pendant 15 minutes en position « ÉLEVÉ » pour brûler ces résidus d'huile.

## PRÉCHAUFFAGE DU GRIL:

- Avant chaque utilisation, il est recommandé de préchauffer votre gril. Ceci assure que les surfaces de cuisson sont à la température désirée pour saisir les sucres des aliments durant la cuisson. Après avoir allumé votre gril, réglez les boutons de commande des brûleurs principaux en position « ÉLEVÉ » pendant 5 à 10 minutes. Fermez le couvercle pendant la période de préchauffage.

## CONTRÔLE DES FLAMBÉES/INCENDIES DE GRAISSE:

- Les flambées se produisent lors de la cuisson des viandes sur un gril au gaz. Ceci ajoute à la saveur unique de cuisson sur un gril au gaz. Faites attention en ouvrant le couvercle, car des flambées soudaines peuvent se produire. Des flambées excessives peuvent trop cuire votre nourriture et devenir dangereuses pour vous et votre gril. Des flambées excessives peuvent provoquer des accumulations de graisse dans votre gril. Si ceci devait se produire, ne versez PAS d'eau sur les flammes. Ceci pourrait provoquer des éclaboussures de graisse et provoquer des brûlures sérieuses ou des blessures corporelles.
- Si un incendie de graisse se produit pendant que le couvercle est ouvert, laissez celui-ci ouvert, tournez les boutons de commande de brûleur sur « ÉTEINT » et fermez la valve de la bonbonne de propane. Si possible, déplacez la nourriture dans une autre section de la grille de cuisson et permettez à la graisse de brûler, ou étouffez les flammes avec du bicarbonate de soude.
- Si un incendie de graisse se produit pendant que le couvercle est fermé, laissez celui-ci fermé, car un courant d'air soudain peut intensifier les flammes. Tournez les boutons de commande de brûleur sur « ÉTEINT » et fermez la valve de la bonbonne de propane. Laissez la graisse brûler.
- Ne versez jamais d'eau sur un incendie de graisse, car la graisse peut éclabousser/s'étendre et provoquer des blessures corporelles et des dommages à la propriété.
- Si un incendie de graisse ne s'éteint pas rapidement ou s'intensifie/s'étend, utilisez un extincteur à poudre de classe BC ou étouffez l'incendie avec de la terre, du sable ou du bicarbonate de soude. Fermer le couvercle pour éteindre un incendie de graisse n'est pas possible.



## POUR MINIMISER LES FLAMBÉES:

- Coupez l'excédent de gras des viandes avant la cuisson.
- Cuisez les viandes avec une haute teneur en graisse (poulet ou porc) sur un réglage plus bas ou indirectement.
- Assurez-vous que votre gril est sur un terrain de niveau, et que la graisse peut s'évacuer du gril par le trou du drain par le bas et dans le contenant/plateau à graisse.
- Nettoyez votre gril fréquemment pour minimiser les accumulations de graisse.

## LA CUISSON INDIRECTE:

- Une cuisson indirecte signifie que votre nourriture est cuite sans que la source de chaleur ne soit directement sous votre nourriture. Vous pouvez saisir de la viande sur une grande flamme d'un côté du grill pendant qu'un rôti cuit lentement sur l'autre côté (pas allumé) du grill.

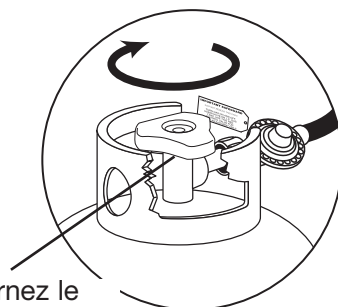
## CUISSON AU TOURNEBROCHE:

- Votre grill a été prépercé à l'usine pour inclure les trous de montage d'un tournebroche (vendu séparément).
- Lisez et suivez toutes les directives fournies avec le tournebroche. Conservez les directives pour référence future.

## MISE HORS TENSION DU GRIL:

1. Fermez la valve de la bonbonne.
  2. Tournez tous les boutons de commande des brûleurs en position « ÉTEINT ».
- Note: Éteignez la bonbonne de propane en premier pour éviter que du gaz sous pression demeure dans le système.

**⚠ MISE EN GARDE:** La valve de la bonbonne devrait toujours être en position éteinte ou fermée quand le grill n'est pas en cours d'utilisation.



Pour fermer la valve de la bonbonne, tournez le bouton dans le sens horaire jusqu'à ce qu'il arrête.

## ⚠ AVERTISSEMENT

- Si vous utilisez un tournebroche qui fonctionne avec un courant alternatif, il doit être mis électriquement à la terre conformément aux codes locaux, ou en l'absence de codes locaux :
  - Aux États-Unis : Le Code électrique national – ANSI-NFPA No. 70 – Édition la plus récente
  - Au Canada : Le Code canadien de l'électricité – CSA C22.1
- Le tournebroche est équipé d'une fiche trifilaire pour votre protection contre les décharges électriques. Cette prise devrait être branchée directement dans un réceptacle à trois broches correctement mis à la terre. Ne coupez ou ne retirez jamais la fiche de mise à la terre. Toute rallonge électrique doit également avoir un réceptacle à trois broches.
- Tous les cordons d'alimentation électrique doivent être conservés loin de l'eau et de toute surface chaude du grill.

## AUTRES CARACTÉRISTIQUES DU GRIL:

### ⚠ AVERTISSEMENT

- Lisez les directives d'allumage de votre grill pour allumer le brûleur latéral.
- Ne fermez jamais le couvercle du brûleur latéral lorsque celui-ci est allumé.
- Utilisez une casserole ayant un diamètre de 25,4 cm (10 po) ou moins et qui n'a PAS de poignée allongée lorsque vous cuisinez avec le brûleur latéral. Centrez la casserole sur le brûleur.
- Ne déposez jamais un poids supérieur à 7 kg (15 lb) sur le brûleur latéral. Le brûleur latéral n'est pas conçu pour supporter un poids de plus de 7 kg (15 lb).
- Faites preuve de prudence et évitez de cogner le grill, le brûleur latéral ou la casserole de façon à ce que la casserole ne renverse son contenu. Ceci pourrait causer de graves brûlures.
- N'utilisez PAS le brûleur latéral pour frire de la nourriture dans l'huile. De l'huile qui s'enflamme peut devenir très dangereuse.

## BRÛLEUR LATÉRAL:

- Le brûleur latéral peut être utilisé pour préparer des aliments comme les haricots, les pommes de terre, du maïs ou des sauces de la chaleur.
- Le robinet du brûleur latéral peut être ajusté de haut en bas en fonction de vos besoins de cuisson



## ENTRETIEN ET SOINS ADÉQUATS:

- ⚠ VERTISSEMENT:** Si vous utilisez une brosse à poils pour nettoyer les surfaces de cuisson, assurez-vous qu'aucun poil ne demeure sur les surfaces de cuisson avant d'utiliser votre gril, car les poils détachés pourraient se coller à la nourriture.

### NETTOYAGE DE L'INTÉRIEUR DU GRIL:

- Nous recommandons de nettoyer les résidus de nourriture immédiatement après la cuisson en frottant doucement avec une brosse à poils métallique, puis d'allumer les brûleurs à « ÉLEVÉ » pendant environ 5 minutes.

- ⚠ AVERTISSEMENT:** Ne laissez PAS le gril sans surveillance lorsqu'il est en ouvrir. Portez des mitaines pour le four pour vous protéger contre les brûlures.

- La chaleur provenant des brûleurs brûlera la plus grande partie des résidus de nourriture/graisse des grilles et des tentes de chaleur et les réduira en une substance comme de la cendre qui tombera dans le fond de la boîte à feu ou du plateau à graisse. Lorsque le gril a refroidi (environ 30 minutes), retirez les grilles et les tentes de chaleur et brossez la cendre et toute graisse à l'extérieur de la boîte à feu. Nettoyez et replacez le contenant à graisse. Inspectez les tentes de chaleur à la recherche de dommages ou de détérioration avant de les réinstaller dans le gril. (Les pièces de remplacement peuvent être commandées au 855-735-9922.)
- Nettoyez les grilles et les tentes de chaleur avec un savon doux et rincez avec de l'eau chaude régulièrement si désiré.

- ⚠ MISE EN GARDE :** Ne laissez PAS les résidus de cendre sur le plateau à graisse ou dans la boîte à feu, car ceci pourrait empêcher un drainage adéquat de la graisse du gril.

### INTÉRIEUR DU COUVERCLE DU GRIL:

- La fumée s'accumulera à l'intérieur du couvercle du gril et pourrait s'écailler et tomber sur votre nourriture. Nettoyez l'intérieur du couvercle du gril avec une brosse à récurage et une solution d'eau et de bicarbonate de soude. Séchez complètement. Ne confondez pas avec la peinture. L'intérieur des couvercles des grils au gaz n'est pas peint.

### ENTRETIEN DE L'EXTÉRIEUR DU GRIL:

- Pour protéger votre gril contre la rouille excessive, l'unité doit être correctement couverte à tout moment quand elle n'est pas utilisée.
- Les surfaces peintes. Nettoyez avec un savon doux ou un nettoyant non abrasif et de l'eau tiède savonneuse.
- Les surfaces en acier inoxydable. Pour conserver l'apparence de votre gril, nettoyez-le avec un savon doux et de l'eau tiède savonneuse et séchez en essuyant avec un chiffon doux après chaque utilisation. Les dépôts de graisse cuite peuvent nécessiter l'utilisation d'un tampon abrasif en plastique. Utilisez uniquement dans le sens du fini brossé pour éviter les dommages. N'utilisez pas de tampon abrasif dans les zones possédant des graphiques. De la cire pour voiture peut aider à protéger le fini extérieur de votre gril.
- Les surfaces en porcelaine. En raison de la composition ressemblant à du verre, la plupart des résidus peuvent être essuyés avec une solution de bicarbonate de soude et d'eau ou un nettoyant spécialement formulé. Utilisez une poudre à récurer non abrasive comme le bicarbonate de soude pour les taches tenaces.
- Les pièces en plastique et en caoutchouc. Nettoyez avec de l'eau tiède savonneuse et séchez en essuyant. Ne pas utiliser de Citrisol, de nettoyant abrasif, de dégraissant ou de nettoyant concentré à gril sur les pièces en plastique. Ceci peut entraîner des dommages aux pièces.

### ROUILLE :

- La décoloration, la rouille et les trous dus à la rouille peuvent provenir de la cuisson à haute température, les marinades acides, les incendies de graisse et l'exposition aux climats côtiers et autres éléments naturels.
- Les taches de rouille de la surface intérieure peuvent être polies et nettoyées puis légèrement enduites d'huile végétale ou d'enduit pour cuisson en aérosol pour minimiser la corrosion.
- N'utilisez jamais de nettoyant contenant du chlore et n'entrez jamais de l'équipement ou des produits chimiques pour piscine dans le compartiment chariot, car le chlore encourage la rouille.

### NETTOYAGE ET ENTRETIEN DES BRÛLEURS:

- Gardez l'appareil libre et loin de tout matériau combustible, essence et autres vapeurs et liquides inflammables.
- Conserver les ouvertures de ventilation du compartiment de la bonbonne libres de tous débris.
- Effectuez une inspection visuelle des flammes de brûleur pour vous assurer d'un bon fonctionnement (consultez la Figure dans la section « Assemblage et entretien des brûleurs » sous la rubrique Entretien et soins adéquats). Les araignées et autres insectes peuvent faire leurs nids dans les brûleurs causant une obstruction du propane.

- Pour griller en toute sécurité et pour obtenir un rendement optimal de votre grill, effectuez ces vérifications au moins deux fois par année ou après une longue période d'entreposage.
- Assurez-vous de bien serrer toute la quincaillerie (écrous, boulons, vis, etc.) au moins deux fois par année.

**MISE EN GARDE:** Quelques pièces possèdent des arêtes coupantes. Portez des gants pour vous protéger si nécessaire.

- Retirez les grilles de cuisson, les plaques de rayonnement et les brûleurs du grill. Utilisez une brosse avec de l'eau chaude et un nettoyant pour enlever l'excès de résidus. N'utilisez JAMAIS un nettoyant pour four commercial. Rincez complètement avec de l'eau. Séchez avec une serviette et remplacez les éléments comme décrit dans les instructions d'assemblage.

## MANTENIMIENTO:

- Quoique vos brûleurs sont fabriqués en acier inoxydable, ils peuvent corroder en raison de la chaleur extrême et de l'acide causé par la cuisson de nourriture. Inspectez régulièrement les brûleurs à la recherche de fissures, trous anormaux et autres signes de dommages par la corrosion. Si vous trouvez de la corrosion, remplacez le brûleur.
- N'obstruez PAS les espaces de ventilation sur les côtés, l'arrière ou le compartiment chariot du grill. Les boyaux de brûleurs peuvent être obstrués par des araignées et autres insectes qui y bâtissent leurs nids. Des boyaux de brûleurs obstrués peuvent empêcher le flux de gaz jusqu'aux brûleurs et provoquer un incendie à l'intérieur du boyau du brûleur ou sous le grill. Pour nettoyer l'assemblage du brûleur, suivez ces directives pour nettoyer ou remplacer les pièces de l'assemblage du brûleur, ou pour des problèmes avec l'allumage du grill.

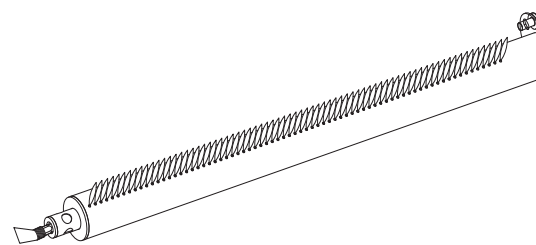
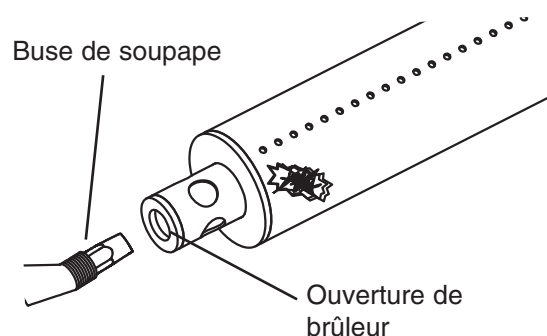
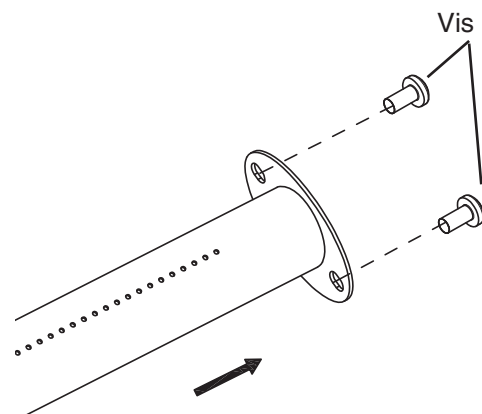
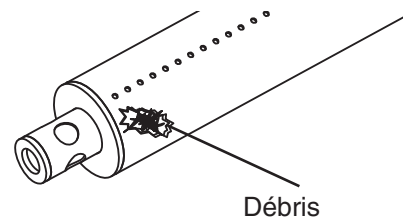
1. Éteignez les boutons de commande du gaz et la valve de la bonbonne de propane.
2. Retirez les grilles de cuisson et les plaques de rayonnement.
3. Enlever deux boulons de chaque brûleur, qui se trouvent derrière la grille.
4. Retirez le brûleur à l'arrière du grill.
5. Utilisez un goupillon étroit ou un fil métallique rigide plié en forme de petit crochet pour nettoyer entre chaque boyau de brûleur ou utilisez de l'air comprimé pour souffler dans le boyau de brûleur et dans les orifices de flamme. Vérifiez chaque orifice afin de vous assurer que de l'air sort de chaque trou.

**⚠ MISE EN GARDE:** Portez une protection pour les yeux lorsque vous utilisez de l'air comprimé.

7. Utilisez une brosse métallique pour nettoyer toute la surface extérieure du brûleur et retirez les résidus de nourriture et les saletés.
8. Installez le brûleur Grill, orienter correctement les brûleurs.
9. Remplacer deux vis sur chaque brûleur.

Remarque : Suivez la section « Détection des fuites de gaz » de ce manuel. Allumer les brûleurs pour vérifier leur bon fonctionnement.

10. Remplacez les plaques de rayonnement et les grilles de cuisson.



**BON ALIGNEMENT DE LA VALVE AU BRÛLEUR**

Remarque : La hauteur de flamme normale est 1" à 2 po

## TRANSPORT ET ENTREPOSAGE:

### ⚠ AVERTISSEMENT

- Ne déplacez jamais un gril lorsqu'il est chaud ou en cours d'utilisation.
- Assurez-vous que la valve de la bonbonne est fermée et que les boutons de brûleur sont en position « ÉTEINT ».
- N'entrez PAS une bonbonne de propane de rechange (pleine ou vide) sous ou près du gril.
- Ne rangez jamais de liquide inflammable ou de canettes d'aérosol sous ou près du gril.
- Si l'appareil de cuisson au gaz extérieur n'est pas en cours d'utilisation, le gaz doit être éteint à la bonbonne d'approvisionnement au propane.
- Entreposer un appareil de cuisson extérieure à l'intérieur est permis uniquement si la bonbonne est déconnectée et retirée de l'appareil de cuisson extérieur.
- Les bonbonnes ne doivent pas être entreposées dans un bâtiment ou une enceinte, incluant les garages ou cabanons.
- Les bonbonnes doivent être conservées hors de la portée des enfants.

## DÉPANNAGE:

Problème	Raison possible	Prévention/Traitement
Le brûleur ne s'allume pas	La valve du réservoir de propane est fermée	Assurez-vous que le régulateur est fixé fermement à la bonbonne de propane, puis mettez la valve de la bonbonne de propane en position « OUVERT »
	Le réservoir de propane est vide ou presque vide	Vérifiez le niveau de propane de la bonbonne. Si celle-ci est vide, remplacez-la ou faites la remplir
	Le propane fuit	1. Mettez la valve de la bonbonne de propane en position « FERMÉ » 2. Attendez 5 minutes que le propane se dégage 3. Suivez les directives de la section « Vérification des fuites » dans le manuel de l'utilisateur
	L'écrou de raccord et le régulateur ne sont pas complètement attachés	Consultez la section « Connexion du boyau et du régulateur »
	Obstruction du flux de gaz	1. Nettoyez l'assemblage du brûleur 2. Assurez-vous qu'aucun boyau n'est plié ou entortillé
	Le brûleur peut ne pas être installé correctement	Remplacez le brûleur et la valve Consultez les directives de la section « Assemblage et entretien des brûleurs »
	Des toiles d'araignée ou des nids d'insectes se trouvent dans le venturi	Nettoyez le venturi et l'assemblage des brûleurs
	Les orifices des brûleurs peuvent être obstrués ou bloqués	Nettoyez les orifices des brûleurs
	La pile doit être changée	Remplacez la pile (suivez les étapes de l'assemblage relatives à l'installation de la pile)
	Les fils ou l'électrode sont couverts de résidus de nourriture	Nettoyez le fil et l'électrode avec de l'alcool à friction
	L'électrode et les brûleurs sont humides	Séchez en essuyant à l'aide d'un chiffon
	L'électrode est craquée ou brisée – les fissures provoquent des étincelles	Remplacez l'électrode
	Un fil est lâche ou débranché	Reconnectez le fil ou remplacez l'assemblage électrode/fil
	Un fil crée des courts-circuits (étincelles) entre l'allumeur et l'électrode	Remplacez l'assemblage fil d'allumage/électrode
Mauvais allumeur	Remplacez l'allumeur	

Problème	Raison possible	Prévention/Traitement
<b>Le grill ne devient pas assez chaud</b>	Aucun carburant	Remplacez ou remplissez le réservoir de propane
	Le dispositif de contrôle du débit peut avoir été activé	<ol style="list-style-type: none"> <li>Réinitialisation rapide : <ol style="list-style-type: none"> <li>Mettez les boutons de commande ainsi que la valve du réservoir de propane en position « ÉTEINT »</li> <li>Attendez 1 minute et allumez le grill de nouveau selon les « Directives d'allumage »</li> </ol> </li> <li>Si les flammes ne sont toujours pas assez fortes, effectuez une réinitialisation complète Réinitialisation complète : <ol style="list-style-type: none"> <li>Mettez les boutons de commande ainsi que la valve du réservoir de propane en position « ÉTEINT »</li> <li>Retirez le régulateur de la bonbonne de propane</li> <li>Inspectez le joint en caoutchouc de la bonbonne de propane</li> <li>Attendez 1 minute</li> <li>Remplacez le régulateur et effectuez la « Vérification des fuites » pour toutes les connexions.</li> <li>Allumez le grill selon les « Directives d'allumage »</li> </ol> </li> </ol>
<b>Mouvement de flamme irrégulier. La flamme ne suit pas toute la longueur du brûleur</b>	Les orifices des brûleurs sont obstrués ou bloqués	Nettoyez les orifices des brûleurs
<b>La flamme est jaune ou orange</b>	Le nouveau brûleur peut avoir des résidus d'huile enduite par le fabricant	Laissez chauffer le grill en position « ÉLEVÉ » et le couvercle fermé pendant 15 minutes
	Des toiles d'araignée ou des nids d'insectes se trouvent dans le venturi	Nettoyez le venturi et l'assemblage des brûleurs
	Résidus de nourriture, de graisse, etc..	Nettoyez l'assemblage des brûleurs
	Mauvais alignement du venturi entre la valve et le brûleur	Assurez-vous que le venturi du brûleur est bien enclenché dans la valve
	L'évent d'aération du brûleur doit être ajusté	Consultez la section « Réglage des brûleurs »
<b>La flamme jaillit</b>	Vents violents	N'utilisez pas le grill durant les périodes de vents violents
	Faible en propane	Remplacez ou remplissez le réservoir de propane
	Les orifices des brûleurs sont peut-être obstrués	Consultez les directives de la section « Assemblage et entretien des brûleurs »
	Le dispositif de contrôle du débit a été déclenché	Consultez la « Procédure de réinitialisation du régulateur »
<b>Feu intermittent</b>	Accumulation de graisse	Nettoyez toutes les pièces de votre grill selon les directives de la section « Entretien et soins adéquats »
	Excédent de gras dans la viande	Enlevez l'excès de gras des viandes avant la cuisson
	Température de cuisson trop élevée	Régalez (à la baisse) la température de cuisson
<b>Incendie de graisse</b>	De la graisse causée par l'accumulation de nourriture est collée autour des brûleurs	<ol style="list-style-type: none"> <li>Tournez les boutons de commande et la valve du réservoir de propane en position « ÉTEINT »</li> <li>Laissez le feu s'éteindre. Le couvercle peut être ouvert ou fermé. Utilisez un extincteur d'incendie de classe BC ou du bicarbonate de soude, du sable ou de la terre pour étouffer le feu, le cas échéant.</li> <li>Lorsque le grill est refroidi, retirez et nettoyez toutes les pièces selon les directives de la section « Entretien et soins adéquats »</li> </ol>
<b>Retour de flamme (incendie dans les boyaux de brûleur)/boutons qui fondent</b>	Le brûleur ou les boyaux du brûleur sont bloqués	Nettoyez les brûleurs et l'assemblage des brûleurs
<b>L'intérieur du couvercle s'écaille (comme de la peinture qui s'écaille)</b>	Une accumulation de graisse cuite s'est transformée en charbon et s'écaille	Nettoyez à fond selon les directives de la section « Entretien et soins adéquats »

## AVANT D'ENTREPOSER VOTRE GRIL:

- Assurez-vous que la valve de la bonbonne est entièrement fermée.
- Nettoyez toutes les surfaces. Enduisez légèrement les brûleurs avec de l'huile à cuisson pour prévenir de la rouille supplémentaire.
- Si vous entreposez le gril à l'intérieur, déconnectez le réservoir de propane et laissez celui-ci à l'EXTÉRIEUR.
- Placez capuchon anti-poussière sur la sortie du robinet de la bouteille lorsque le cylindre n'est pas en cours d'utilisation. Seulement installer le type de bouchon anti-poussière sur le sortie de la soupape de cylindre qui est muni de la soupape de la bouteille. D'autres types de bouchons peuvent entraîner une fuite de le propane.
- Vérifiez et nettoyez les brûleurs avant d'utiliser votre gril après un entreposage, au début de la saison de cuisson extérieure ou après une longue période sans utilisation. Les araignées et autres insectes aiment construire leurs nids dans les boyaux de brûleurs (surtout au cours des mois plus froids). Des boyaux de brûleurs obstrués peuvent empêcher le flux de gaz jusqu'aux brûleurs et provoquer un incendie à l'intérieur du boyau du brûleur ou sous le gril. Consultez « Assemblage et entretien des brûleurs » sous la rubrique Entretien et soins adéquats.
- Si vous entreposez le gril à l'extérieur, couvrez le gril avec une housse protectrice contre les intempéries.

## CONSEILS PRATIQUES DE CUISSON AU GRIL:

### PROPRETÉ:

- Lavez-vous toujours les mains méticuleusement avec de l'eau chaude et du savon avant de manipuler les viandes, volailles ou fruits de mer crus.
- Si vous utilisez un plateau pour transporter viandes, volailles et fruits de mer crus vers le gril, assurez-vous de bien laver le plateau avec de l'eau chaude et du savon avant d'y remettre les aliments cuits, ou utilisez un nouveau plateau.
- N'utilisez jamais les mêmes ustensiles dont vous vous êtes servis pour manipuler les viandes, volailles et fruits de mer crus pour les aliments cuits à moins de les avoir bien lavés avec de l'eau chaude et du savon.
- N'utilisez jamais les restes de marinade dont vous vous êtes servis sur les viandes, volailles et fruits de mer crus sur les aliments cuits et prêts à servir.

### CUISSON À LA BONNE TEMPÉRATURE:

- Utilisez un thermomètre à viande pour vous assurer que la viande a atteint une température interne sécuritaire.
- Le Département de l'agriculture américain (USDA) recommande que les aliments suivants aient atteint la température minimale indiquée :

<b>Côtelettes</b> .....	<b>62.8° C (145° F)</b>	<b>Rôtis</b> .....	<b>62.8° C (145° F)</b>
<b>Viande hachée</b> .....	<b>71° C (160° F)</b>	<b>Fruits de mer</b> .....	<b>62.8° C (145° F)</b>
<b>Porc</b> .....	<b>62.8° C (145° F)</b>	<b>Légumes</b> .....	<b>62.8° C (145° F)</b>
<b>Volaille</b> .....	<b>73.9° C (165° F)</b>		

### CONSEILS UTILES:

- Si vous souhaitez précuire la viande ou la volaille, faites-le immédiatement avant la cuisson sur le gril.
- Ne décongelez jamais des viandes à température ambiante ou sur un comptoir.
- Réfrigérez les restes dans une période de 2 heures après avoir retiré les aliments du gril.
- Pour de plus amples renseignements, veuillez communiquer avec la USDA, service des viandes et volailles, au numéro sans frais : 800 535-4555.

## WARRANTY

The Boltz Group warrants to the original purchaser that the 3 Embers® 4 Burner Gas Grill is free from defects due to workmanship or materials for:

Lifetime: on stainless steel tube burners

Five-year: on all other stainless steel parts

Three-year: on valves, frame, housing, cart, igniter, cooking grates and other related parts

The Boltz Group's obligations under this warranty are limited to the following guidelines:

- This warranty does not cover grills that have been altered/modified or damaged due to: normal wear, rust, abuse, improper maintenance and/or improper use.
- This warranty does not cover surface scratches, rust or heat damage to the finish, which is considered normal wear.
- 3 Embers may elect to repair or replace damaged units covered by the terms of this warranty.
- This warranty extends to the original purchaser only and is not transferable or assignable to subsequent purchasers.

The Boltz Group requires reasonable proof of purchase. Therefore, we strongly recommend that you retain your sales receipt or invoice. To obtain replacement parts for your 3 Embers® 4 Burner Gas Grill under the terms of this warranty, please call Customer Service Department at 855-735-9922. A receipt will be required. The Boltz Group will not be responsible for any grills forwarded to us without prior authorization.

EXCEPT AS ABOVE STATED, THE BOLTZ GROUP MAKES NO OTHER EXPRESS WARRANTY.

THE IMPLIED WARRANTIES OF MERCHANTABILITY AND FITNESS FOR A PARTICULAR PURPOSE ARE LIMITED IN DURATION TO THOSE LISTED ABOVE FROM THE DATE OF PURCHASE. SOME STATES DO NOT ALLOW LIMITATIONS ON HOW LONG AN IMPLIED WARRANTY LASTS, SO THE ABOVE LIMITATION MAY NOT APPLY TO YOU.

ANY LIABILITY FOR INDIRECT, INCIDENTAL OR CONSEQUENTIAL DAMAGES ARISING FROM THE FAILURE OF THE 3 EMBERS® 4 BURNER GAS GRILL TO COMPLY WITH THIS WARRANTY OR ANY IMPLIED WARRANTY IS EXCLUDED. CUSTOMER ACKNOWLEDGES THAT THE PURCHASE PRICE CHARGED IS BASED UPON THE LIMITATIONS CONTAINED IN THE WARRANTY SET OUT ABOVE. SOME STATES DO NOT ALLOW THE EXCLUSION OR LIMITATION OF INCIDENTAL OR CONSEQUENTIAL DAMAGES, SO THE ABOVE LIMITATION OR EXCLUSION MAY NOT APPLY TO YOU. THIS WARRANTY GIVES YOU SPECIFIC LEGAL RIGHTS, AND YOU MAY ALSO HAVE OTHER RIGHTS WHICH VARY FROM STATE TO STATE.

## GARANTIE

L'entreprise Boltz Group déclare à l'acheteur initial que le 3 Embers® 4 Burner Gas Grill [barbecue au gaz à 3 braises et à 5 brûleurs] est exempt de tout défaut de main-d'œuvre ou de matériau, et le garantit pour :

la durée de vie de l'appareil : dans le cas des brûleurs à tube en acier inoxydable;

cinq (5) ans : dans le cas de toute autre pièce en acier inoxydable;

trois (3) ans : dans le cas des soupapes, du châssis, du boîtier, du chariot, de l'allumeur, des grilles de cuisson et des autres pièces qui y sont associées.

Les obligations de l'entreprise Boltz Group, en vertu de cette garantie, se limitent à celles décrites ci-dessous :

- Cette garantie ne couvre pas les barbecues qui ont été modifiés, ou endommagés des suites d'une utilisation normale, de la rouille, d'un usage abusif, d'un entretien incorrect et/ou d'une utilisation inappropriée.
- Cette garantie ne couvre pas les égratignures de surface, la rouille ou les dommages au fini causés par la chaleur, lesquels sont considérés comme les conséquences d'une utilisation normale.
- 3 Embers peut, à sa discrétion, décider de réparer ou de remplacer les appareils ou composants endommagés couverts par les dispositions de la présente garantie.
- Cette garantie ne protège que l'acheteur initial de l'appareil et ne peut être transférée ou cédée aux acheteurs subséquents.

Boltz Group exige une preuve raisonnable de la date d'achat. Par conséquent, nous vous recommandons de garder votre reçu de caisse ou facture. Pour obtenir des pièces de rechange pour votre BBQ au gaz 3 Embers® 4 Burner Gas Grill aux termes de cette garantie, veuillez communiquer avec le service à la clientèle au 1-855-735-9922. Une preuve d'achat sera requise. Boltz Group n'assume aucune responsabilité dans le cas de tout barbecue qui nous serait expédié sans autorisation préalable

À L'EXCEPTION DE LA GARANTIE DÉCRITE, COMPORTANT LES LIMITES CI-DESSUS, BOLTZ GROUP N'OFFRE AUCUNE AUTRE GARANTIE EXPRESSE.

LES GARANTIES IMPLICITES DE QUALITÉ MARCHANDE ET D'ADÉQUATION À UNE APPLICATION PARTICULIÈRE SE LIMITENT AUX PÉRIODES DE COUVERTURE INDIQUÉES CI-DESSUS, ET CE, À PARTIR DE LA DATE D'ACHAT. CERTAINS ÉTATS, PAYS OU PROVINCES NE PERMETTENT PAS DE LIMITATIONS QUANT À LA DURÉE D'UNE GARANTIE IMPLICITE, DONC IL SE PEUT QUE LA LIMITATION SUSMENTIONNÉE NE S'APPLIQUE PAS À VOTRE CAS.

TOUTE RESPONSABILITÉ RELATIVE À DES DOMMAGES INDIRECTS, ACCESSOIRES OU CONSÉCUTIFS DÉCOULANT DE LA NON-CONFORMITÉ DU BARBECUE 3 EMBERS® 4 BURNER GAS GRILL À CETTE GARANTIE OU À TOUTE GARANTIE IMPLICITE EST EXCLUE. LE CLIENT RECONNAÎT QUE LE PRIX D'ACHAT FACTURÉ EST LIÉ AUX LIMITATIONS CONTENUES DANS LA GARANTIE DÉCRITE CI-DESSUS. CERTAINS ÉTATS, PAYS OU PROVINCES NE PERMETTENT PAS D'EXCLUSION OU DE LIMITATION ASSOCIÉE AUX DOMMAGES ACCESSOIRES OU CONSÉCUTIFS, DONC IL SE PEUT QUE LA LIMITATION OU L'EXCLUSION SUSMENTIONNÉE NE S'APPLIQUE PAS À VOTRE CAS. CETTE GARANTIE VOUS OCTROIE DES DROITS JURIDIQUES PARTICULIERS ET VOUS AVEZ PEUT-ÊTRE D'AUTRES DROITS QUI VARIENT D'UN ÉTAT OU PAYS À L'AUTRE.