

This Owner's Manual is provided and hosted by [Appliance Factory Parts](#).



# Russell Hobbs RHBU60FREEZER-N Owner's Manual

[Shop genuine replacement parts for Russell Hobbs  
RHBU60FREEZER-N](#)



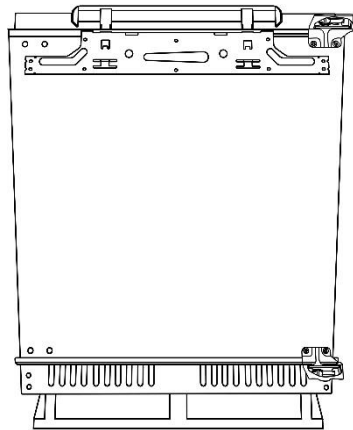
[Find Your Russell Hobbs Small Appliance Parts - Select From 18 Models](#)

----- Manual continues below -----



# Russell Hobbs

Built Under 60cm Wide  
Freezer  
Instruction Manual



**Model number(s):**  
RHBU60FREEZER-N

For Customer Services & Spare Parts please call **0345 208 8750**  
or visit us at <https://mda.russellhobbs.com>


**IMPORTANT:**  
**RETAIN FOR FUTURE REFERENCE**


# Contents

<b>Safety Instructions</b>	.....	<b>3-5</b>
<b>Electrical Safety</b>	.....	<b>5</b>
<b>Transportation &amp; Handling</b>	.....	<b>5</b>
<b>Installing &amp; Switching on your Appliance</b>	.....	<b>6</b>
<b>Before Switching On</b>	.....	<b>7</b>
<b>Product Overview</b>	.....	<b>8</b>
<b>Unit &amp; Spare Parts</b>	.....	<b>8</b>
<b>Usage</b>	.....	<b>9-10</b>
<b>Temperature Selection</b>	.....	<b>9-10</b>
<b>Installation</b>	.....	<b>11 - 17</b>
<b>Fitting the Plinth</b>	.....	<b>18</b>
<b>Door Reversal</b>	.....	<b>19 - 22</b>
<b>Replacing the Light</b>	.....	<b>22</b>
<b>Energy Saving Advice</b>	.....	<b>23</b>
<b>Food Storage Advice</b>	.....	<b>24</b>
<b>Maintenance &amp; Cleaning</b>	.....	<b>25</b>
<b>Internal Cleaning</b>	.....	<b>25</b>
<b>External Cleaning</b>	.....	<b>25</b>
<b>When the appliance is not in Use</b>	.....	<b>25</b>
<b>Defrosting</b>	.....	<b>26</b>
<b>Trouble Shooting</b>	.....	<b>27 - 28</b>
<b>Connection to the Mains Supply</b>	.....	<b>29</b>
<b>Guarantee</b>	.....	<b>30</b>
<b>Technical Specification</b>	.....	<b>31</b>

# Safety Instructions

**Important note:** Please read this booklet before installing and switching on this appliance. The manufacturer assumes no responsibility for incorrect installation and usage as described in this booklet.

 **Warning:** When positioning the appliance, ensure the supply cord is not trapped or damaged.

 **Warning:** Do not locate multiple portable socket-outlets or portable power suppliers at the rear of the appliance.

- This model uses natural refrigerant gas as part of its cooling system. This gas is known as R600a (Isobutene) and is environmentally friendly but can be combustible. Care should therefore be taken when handling or transporting the product to ensure that none of the refrigeration circuit components are damaged,
- Do not obstruct ventilation openings in the appliance
- The appliance must not be placed or rested on its power cord.
- Do not use mechanical devices or other artificial means to accelerate the defrosting process, such as a heater or a hair dryer.
- Do not use electrical appliances in the refrigerator compartment of the appliance.
- If this appliance is to replace an old refrigerator with a lock, the lock must be removed as a safety measure before storing it or disposing of it. This is to protect children from locking themselves inside the appliance.
- Old refrigerators and freezers contain insulation gases and refrigerant, they must be disposed of properly. Contact your local authority or your dealer if you have any questions. Please ensure that you do not damage the scrap unit prior to being picked-up by the relevant waste disposal service.
- Do not use adaptors or extension leads when connecting the appliance to the electrical power supply
- Do not plug in damaged plugs.

- Do not pull, twist or damage the power cable.
- Do not plug-in or un-plug the appliance with wet hands to prevent electrical shock.
- This appliance can be used by children aged from 8 years and above and persons with reduced physical, sensory or mental capabilities or lack of experience and knowledge if they have been given supervision or instruction concerning use of the appliance in a safe way and understand the hazards involved. Children should not play with the appliance.
- Children aged from 3 to 8 years are allowed to load and unload this appliance.
- This appliance is designed to be used by adults, do not allow children to play with the appliance or let them hang over the door.
- Do not place explosive or flammable material in your appliance for your own safety.
- Bottles containing a high percentage of alcohol must be sealed well and placed vertically in the refrigerator.
- Do not cover the body or the top of the appliance
- Fix down the accessories in the appliance during transportation to prevent damage to them.
- To avoid contamination of food, please respect the following instructions
  - Opening the door for long periods can cause a significant increase of the temperature in the compartments of the appliance.
  - Clean regularly surfaces that can come in contact with food and accessible drainage systems.
  - Clean water tanks if they have not been used for 48h; flush the water system connected to a water supply if water has not been drawn for 5 days.
  - Store raw meat and fish in suitable containers in the refrigerator, so that it is not in contact with or drip onto other food.
  - Two-star frozen-food compartments(if they are presented in the appliance) are suitable for storing pre-frozen food, storing or making ice-cream and making ice cubes.

- One-, two- and three -star compartments (if they are presented in the appliance) are not suitable for the freezing of fresh food.
- If the appliance is left empty for long periods, switch off, defrost, clean, dry and leave the door open to prevent mould developing within the appliance.

## Electrical Safety

### **THIS APPLIANCE MUST BE PLUGGED INTO AN EARTHED SOCKET**

- Before switching on, make sure that the voltage of your electricity supply is the same as that indicated on the rating plate. This product is designed to operate on 220 – 240V AC; 50Hz. Connection to any other power source may damage the unit.
- This product may be fitted with a non re-wireable plug. If it is necessary to change the fuse in the plug, the fuse cover must be refitted. If the fuse cover becomes lost or damaged, the plug must not be used until a suitable replacement is obtained.
- If the plug has to be changed because it is not suitable for your socket, or becomes damaged in any way, it should be cut off and an appropriate plug fitted following the wiring instructions. This should be carried out by a qualified electrician. The plug removed must be disposed of safely, as insertion into a 13 Amp socket is likely to cause an electrical hazard.

## Transportation and Handling

For safe lifting, tilt the appliance backwards by no more than 45 degrees, hold the base and rear corners of cabinet. Lift the refrigerator carefully. Never use the door handles for lifting. To move the refrigerator on a flat level surface, tilt it slightly backwards and push backwards.

**This unit is heavy and could cause injury – ensure there are adequate people present to move the appliance.**

## Installing and Switching on Your Appliance

- Operating voltage for your appliance is 220-240V at 50Hz.
- Before plugging in the power supply, ensure that the voltage on the rating label corresponds to the working voltage of your electrical system in your home.
- Insert the plug into an efficient Ground (Earth) connection. If the socket has no Ground (Earth) contact or the plug does not match, we suggest you call an authorised electrician for assistance.
- Place your appliance in an area that is not exposed to direct sunlight.
- Your appliance should be placed at least 10cm away from stoves, ovens and other heating cores.
- This appliance should never be used outdoors or left in the rain.
- When your appliance is placed next to a chest freezer or freezer, there should be at least 10cms between them to prevent humidity on the outer surface.
- Do not place anything on your appliance and install the unit in a suitable place so that there is at least 30cm clearance above the appliance.
- If placing your appliance next to kitchen cabinets, leave 5cm between them.
- The rear of the appliance should be at least 6cm away from the back wall.
- The appliance must be used in the vertical position and on a flat surface.
- To level the appliance, use the adjustable feet on the appliance.
- Do not place your appliance on a carpeted surface as this will prevent adequate ventilation.
- This appliance should only be placed on a flat, firm surface.
- Choose a dry and well-ventilated space.
- The appliance should be positioned so that the plug is easily accessible.
- If you need help or are unsure how to install the unit, please contact Customer Services on 0345 208 8750 or visit <https://mda.russellhobbs.com>.



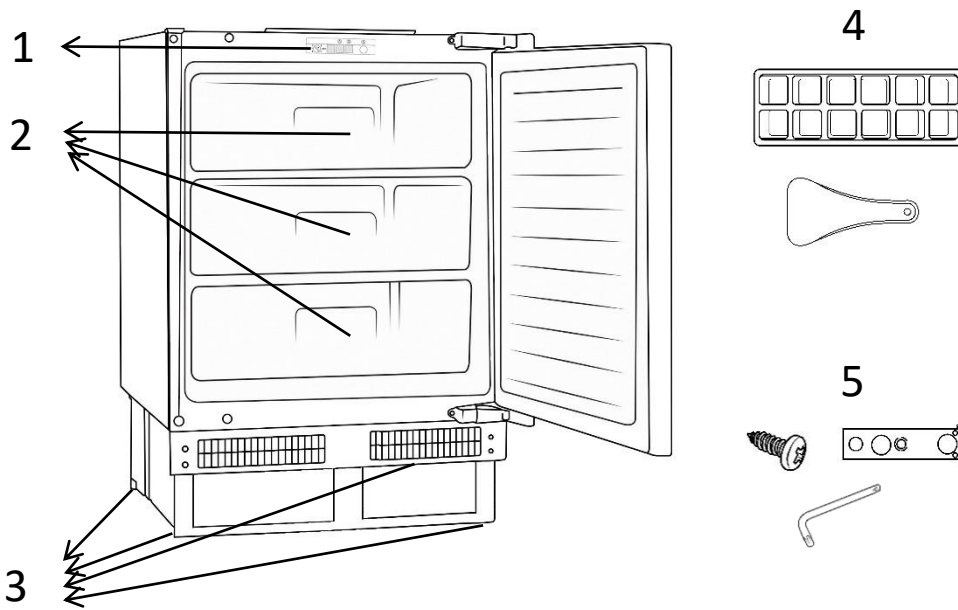
**!** **WARNING!** During using, service and disposal the appliance, pay attention to symbol similar to one shown, which is located on appliance (rear panel or compressor) and with a yellow or orange colour. It's risk of fire warning symbol. There are flammable materials in refrigerant pipes and compressor. Please be far away fire source during using, service and disposal.

## Before Switching On

- Before using your appliance, add a teaspoon of bicarbonate of soda to warm water and with a damp cloth wipe down all parts of the new appliance, then repeat the process with a clean damp cloth and dry. **(ensure the appliance is not connected to the power when performing this task).**
- Remove all transport tapes and foam protection pieces. Clean the interior with a cloth dampened in lukewarm soap and water. Wipe with clean water and wipe dry.
- There may be an odour when you first switch on the appliance, it will disappear when the appliance starts to cool.
- When the appliance has been positioned, adjust the feet to ensure the unit is stable. This is essential to ensure quiet running and proper door opening /closing.
- Connect to the electrical socket but do not switch the power to the refrigerator on for at least 3 hours. The coolant within the product needs time to settle after it has been transported and put in to position, failure to do this will affect the cooling performance of your appliance.
- Once the appliance has settled locate the thermostat dial on the product and set to "3" and switch on the power. The compressor will begin to work. Close the door.
- You may hear faint gurgling or bubbling sounds when the refrigerant is pumped to the cooling system and through the coils or tubing at the rear of the appliance. When the compressor is in operation you may hear a slight whirring sound or pulsating noise. The thermostat controls the operation of the compressor, and you may hear a slight click as it cycles in and out (this is normal).
- To save energy, you should minimize the frequency and duration of door opening.



## Product Overview



1. Thermostat
2. Drawers
3. Adjustable feet
4. 1 x ice cube tray & 1 x ice scraper
5. Installation accessories

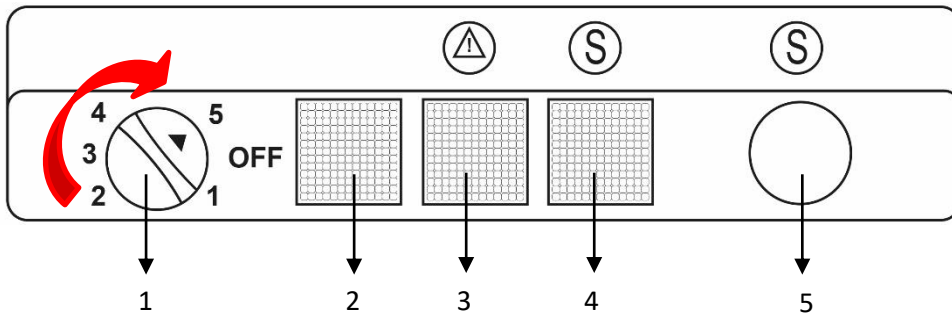
## Unit Parts & Spare Parts

Before installation, check that all parts detailed in the product overview are present. If any parts are missing, please contact the Customer Service team on **0345 208 8750** or visit us at <https://mda.russellhobbs.com>

# Usage

⚠ **Allow to stand for a minimum of 3 hours before plugging in to the mains**

The temperature in the appliance is controlled by the temperature control dial or thermostat located at top of the appliance. Rotate the control dial anti-clockwise and clockwise to regulate the temperature inside the freezer.



1. Temperature control - on the temperature control, OFF is the off setting, 1 is the warmest setting and 5 is the coldest setting. **Under normal conditions for a product used in the majority of UK homes the temperature control should be set to setting 3.**
2. Power indicator - the green light will illuminate when the freezer is switched on.
3. High temperature warning indicator - the red light will illuminate when the temperature inside the freezer is too high. This may illuminate after the door has been opened or when fresh food is added, and should switch off again once the temperature within the freezer has stabilised.
4. Super freeze indicator - the yellow light will illuminate when the super freeze function has been activated with the super freeze button.
5. Super freeze button - should only be set 2 hours before a large amount of food is placed in the freezer so the appliance will be at its coldest so it can rapid freeze the food that is added. After 24 hours, the function will be switched off automatically. During fast freezing, press and hold the fast freezing button for 3 seconds, then the function will be manually switched off immediately.

## Usage

**!** Allow to stand for a minimum of 3 hours before plugging in to the mains

Depending on the ambient temperature of the room the appliance is situated in, you may need to adjust the temperature control dial; in a room with a high ambient temperature the temperature control dial may need to be adjusted to a colder setting (moved towards setting 5) or in a room with a low ambient temperature the temperature control dial may need to be adjusted to a warmer setting (moved towards setting 3).

Once the temperature control has been set, close the door and plug in the appliance. We recommend that the door is not opened for a minimum of 4 hours to allow the appliance to reach the standard operating temperature.

Note: The standard operating temperature for the freezer compartment should be between  $-18^{\circ}\text{C}$  and  $-25^{\circ}\text{C}$ .

**Note: The temperature of the freshly stored food and how often the door is opened affects the temperature in the refrigerator compartment. If required, change the temperature setting.**

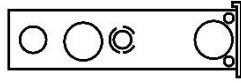
## Installation

- This appliance can be installed as a built under unit only. The clearances shown in the below drawing must be followed.
- Avoid damaging the product during installation, positioning of the appliance requires two people in order to avoid injuries or damage to the appliance.
- Your appliance should not be located in direct sunlight or exposed to continuous heat or extremes of temperature (e.g. next to a radiator or boiler). If this is not feasible, then you should install an insulation plate between the appliance and the adjacent heat source.
- You should check whether there is an electrical socket available, which will be accessible after your appliance is installed.
- Place the appliance flatly and firmly on a solid base
- Be sure to leave enough space for the opening of the door, to avoid damage to the appliance or personal injury
- The aperture size has to be a minimum of (H)825 x (W)600 x (D)550mm.
- The accessories that are required for installation are detailed below:

18 x Torx screws

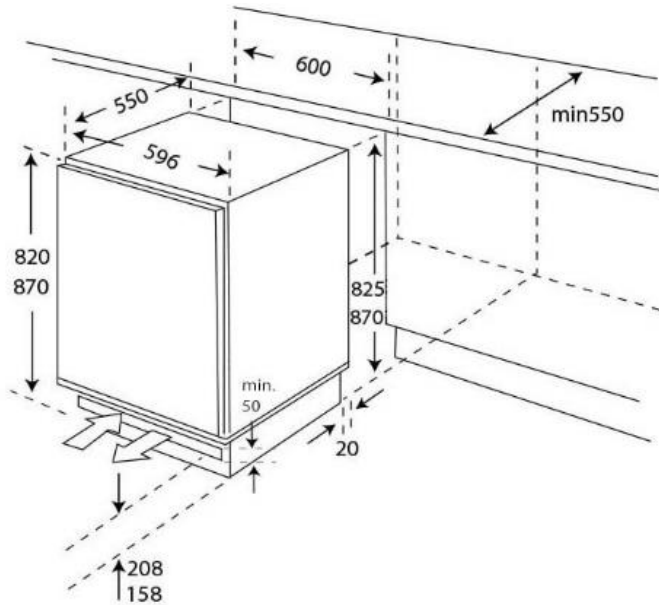


2 x Hinge cover

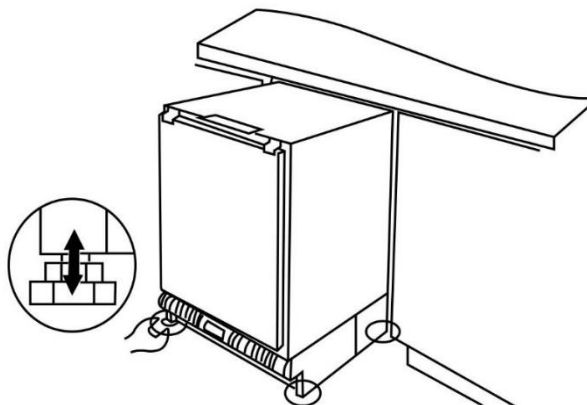


# Installation

The aperture size has to be a minimum of (H)825 x (W)600 x (D)550mm.



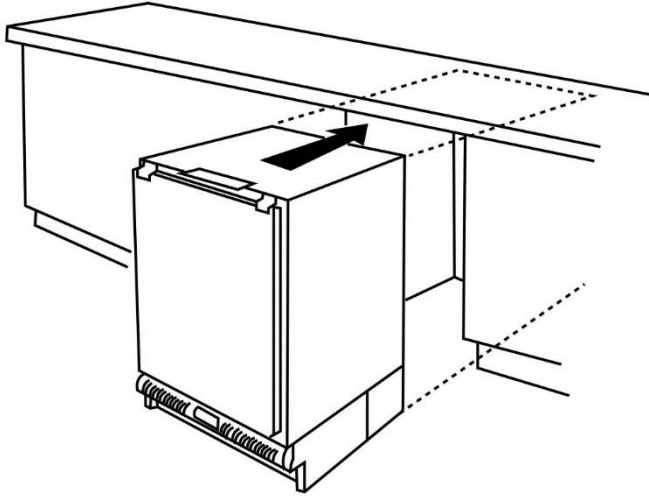
Adjust the height of the appliance by adjusting the 4 adjustable feet (2 at the rear and 2 at the front). The height can be adjust from 820mm to 870mm. If needed a spanner can be used to adjust the feet.



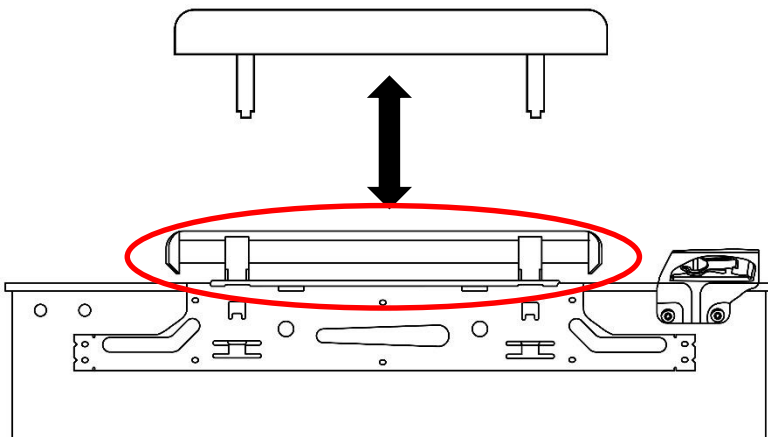
 Russell Hobbs

## Installation

Carefully push the appliance into the housing, ensuring that the cabinet door is able to fully close. If required the feet should be further adjusted.



To fit the cabinet door you will need to remove the decorative cover from the fixing bracket.

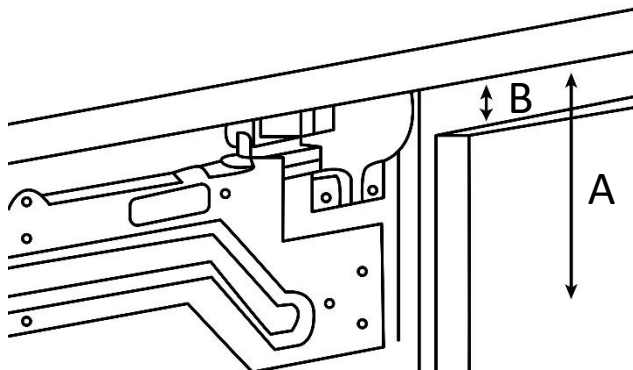


## Installation

With the door appliance closed and the appliance situated in the aperture, you will need to:

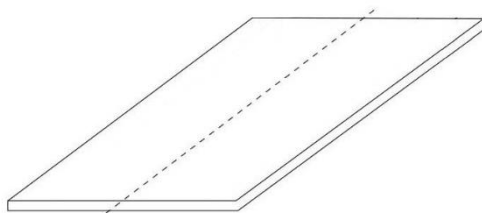
Measurement A – Measure from the underside of the kitchen unit to the bottom of the bottom of the fixing bracket.

Measurement B - measure from the underside of the kitchen unit to the top of a kitchen cabinet door on a adjacent kitchen unit/door



Remove the 2 screws that fix the fixing bracket to the appliance door and carefully remove the fixing bracket.

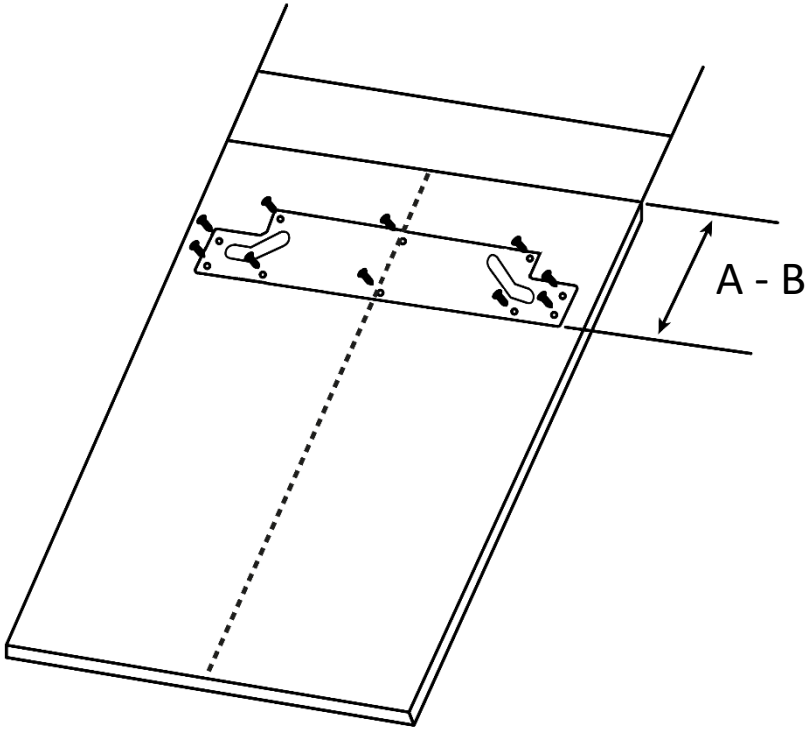
On the back of the cabinet door (the side that will not be seen) mark a vertical centre line approximately 15cm from the top of the door.



Back of the cabinet door

## Installation

Subtract measurement A from measurement B and put the fixing bracket in place using this measurement from the top of the cabinet door (you must ensure it is on the back of the cabinet door). The 2 holes in the centre of the fixing bracket must be centralised on the vertical mark put on the back of the cabinet door in the previous step. Fix the fixing bracket into place using the small torx headed screws.

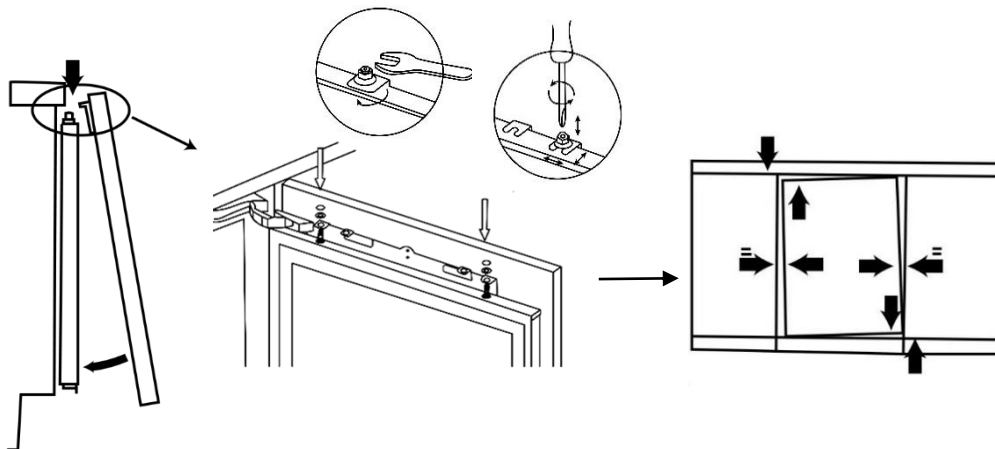


Place the cabinet door with fixing bracket attached on to the top of the appliance door. Fix in to place with the 2 screws that were removed when removing the fixing bracket from the appliance door.

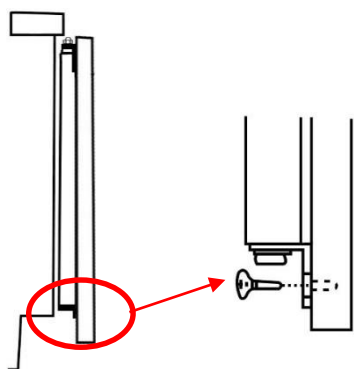


# Installation

Align the cabinet door to the adjacent cabinets by using the horizontal adjustment holes on the fixing bracket and the height adjustment screw on the fixing bracket. To adjust the height you will have to loosen the locking nut and adjust the screw with a flat headed screwdriver.



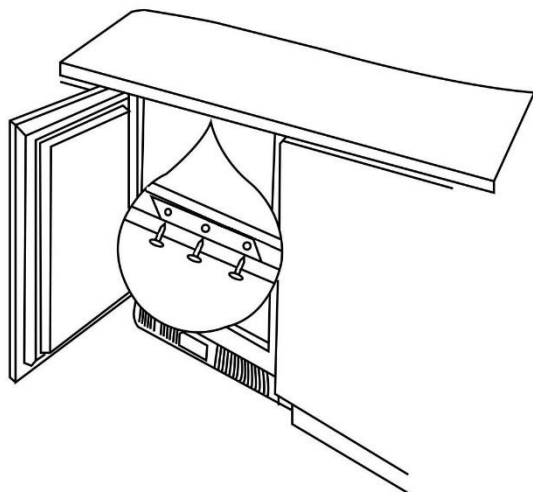
Fix the 2 x L shaped door brackets at the bottom of the appliance door on to the cabinet door with 4 x torx headed screw (2 in each bracket). You may need to drill holes in the back of the cabinet door for the screws, if so drill 2 x 2.8mm Ø holes to a depth of 10mm



## Installation

Refit the decorative cover that was removed in the first step on to the fixing bracket.

**Ensure the cabinet door and the appliance door can open and close fully, before finally tightening all screws.** Now fix the appliance to the worktop with screws. To do this you may need to drill holes in the underside of the worktop, if so drill  $\varnothing$  2.8mm holes to a depth of 10mm..



Open the door and fit the hinge covers to the inside of the hinges.

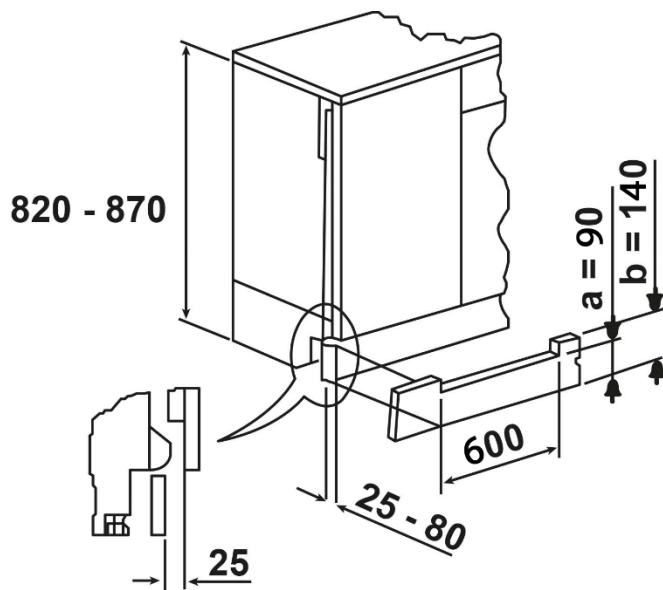
## Fitting the plinth

The ventilation grill the appliance has been manufactured with must used, if it isn't or modified then the operation of the appliance could be affected.

The plinth must also be positioned at least 25mm from the appliance door.

If the height of the appliance is 820mm then a plinth that is 90mm in height can be fitted without any modification. However if the height of the plinth is greater than 90mm then a cut out that is 600mm wide and the height of the cut out will vary depending on the height of the plinth. If the height of the plinth is 140mm then the height of the cut out should be 50mm.

Once the above has been done fix the plinth in place



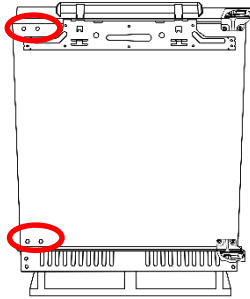
# Door Reversal

To reverse the door you will need to tilt the appliance backward to access the lower hinge which holds screws. Do not tilt the appliance more than 45 degrees and do not lay the appliance flat on its side.

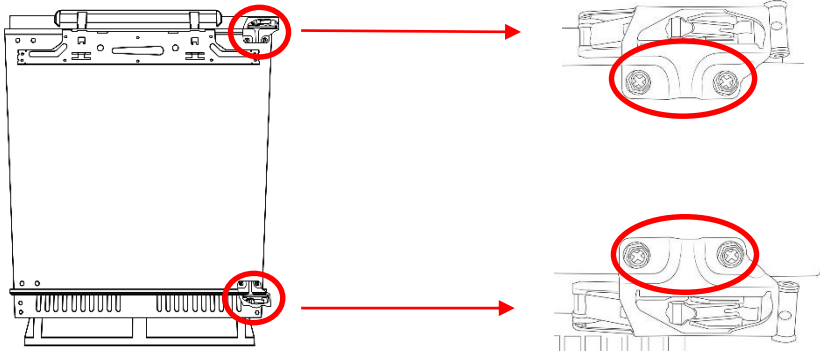
For your own safety, a minimum of 2 people should lift or tilt this product.

Tools Required: Torx headed screwdriver, flat headed screwdriver and hexagonal spanner or a socket driver.

1. Remove the 4 screw hole covers on the front of the appliance door at the top and the bottom.



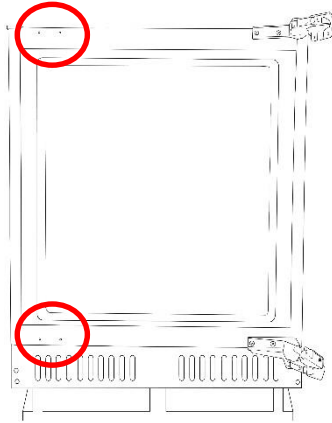
2. With the door closed remove the screws from the top and bottom hinges that hold the appliance door to the hinges. Remove the screws from the top hinge first.



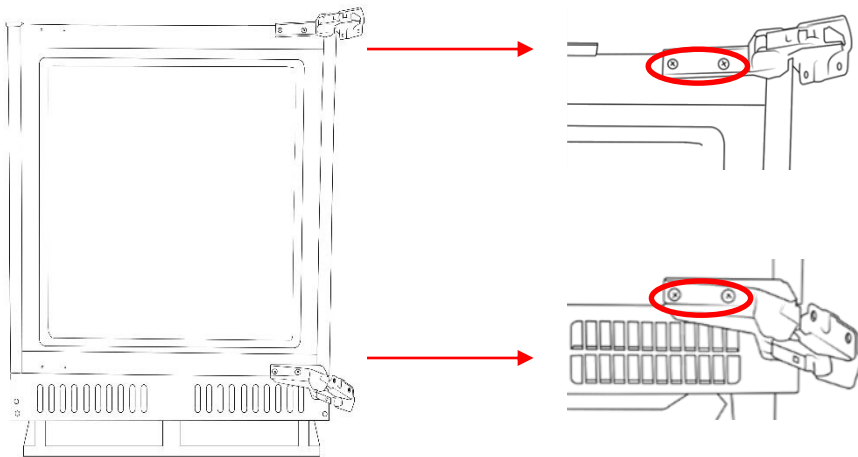
## Door Reversal

3. Support the door at the bottom and open the hinges away from the appliance door. Carefully lift the appliance door away, ensuring you don't damage the hinges or the door.

4. Remove the 4 screw hole covers on the cabinet of the appliance at the top and the bottom on the opposite side of where the hinges are currently fixed.

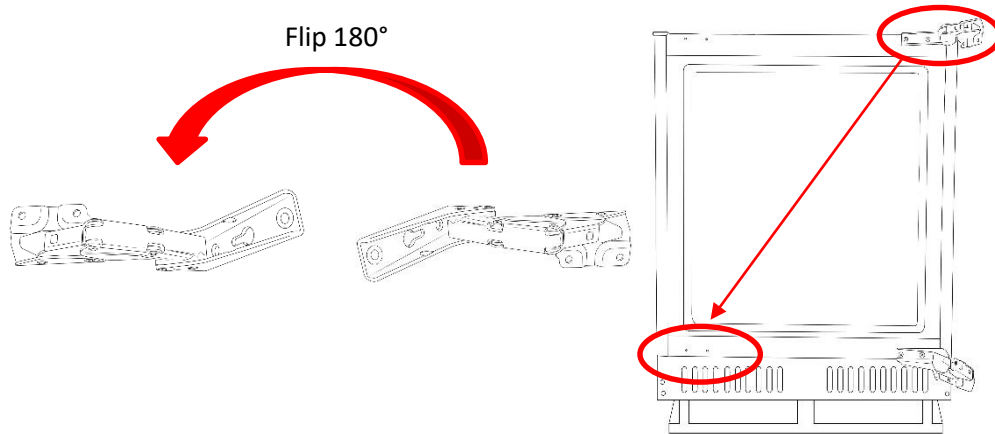


5. With the top hinge open, remove the screws from the top hinge that fix the hinge to the cabinet of the appliance.

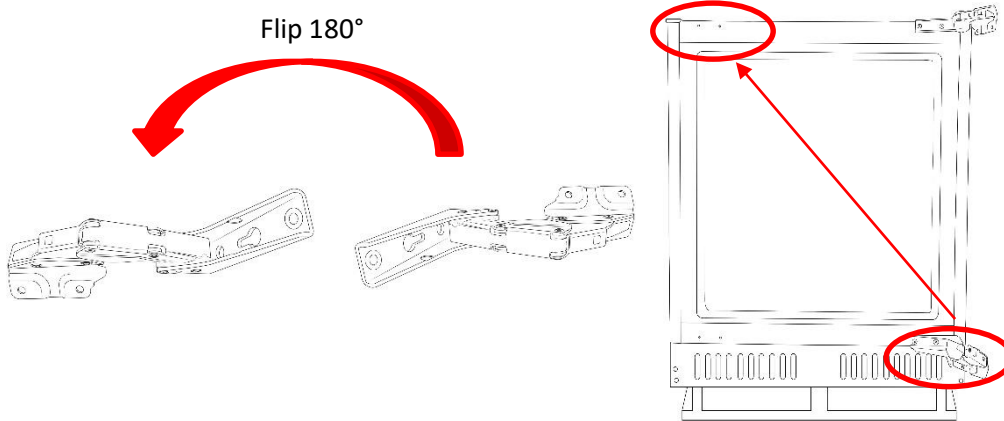


# Door Reversal

6. Flip over the top hinge (by 180°) and fix it in place on the diagonally opposite corner of the appliance cabinet.

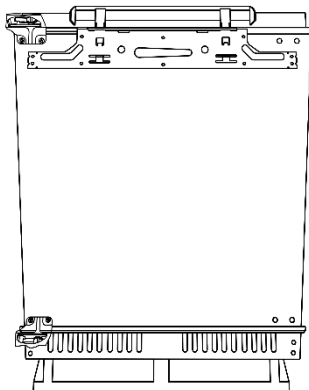


7. Repeat the previous step with the bottom hinge and then replace the screw hole covers on the opposite side.



## Door Reversal

8. Reattach the door by fixing the outside screws of the hinge to the door. **You must ensure the freezer door is aligned horizontally and vertically, so that the seals are closed on all sides before finally tightening.**



9. Replace the 4 screw hole covers on the cabinet of the appliance at the top and the bottom on the opposite side of where the hinges are now fixed.

## Energy Saving Advice

- Do not install the appliance close to sources of heat, such as a cooker, dishwasher or radiator.
- Locate the appliance in a cool well-ventilated room and make sure that the air vents are clear.
- Try to avoid keeping the doors open for a long time, warm air will enter the cabinet and may cause a build-up of ice as well as affecting the energy consumption. Ensure there are no obstructions preventing the doors from closing properly.
- Ensure that the door seals are clean and there are no tears or splits.
- Do not overload the appliance: the cooling air that circulates to keep the appliance cold gets blocked and pockets of warm air form.
- Do not put hot food into the fridge or freezer – let it cool down first.



## Food Storage Guidelines

Refrigerator compartments	Type of food
Door or balconies of fridge compartment	Foods with natural preservatives, such as jams, juices, drinks, condiments. Do not store perishable foods.
Crisper drawer (salad drawer)	Fruits, herbs and vegetables should be placed separately in the crisper bin. Do not store bananas, onions, potatoes, garlic in the refrigerator.
Fridge shelf – bottom Chiller (box/drawer)	Raw meat, poultry, fish (for short-term storage)
Fridge shelf – middle	Dairy products, eggs
Fridge shelf – top	Foods that do not need cooking, such as ready-to-eat foods, deli meats, leftovers.
Freezer drawer(s)/shelf	Foods for long-term storage. Bottom drawer/shelf for raw meat, poultry, fish. Middle drawer/shelf for frozen vegetables, chips. Top drawer/shelf for ice cream, frozen fruit, frozen baked goods.

# Maintenance & Cleaning

Disconnect the appliance from the power supply before cleaning.

## Internal Cleaning

- Do not pour water over the appliance.
- The cavity should be cleaned periodically using a solution of bicarbonate of soda and lukewarm water (5ml to 0.5 litre of water)
- Clean the accessories separately with soap and water. Do not put them in the dishwasher.
- Do not use abrasive products, detergents or soaps.
- After washing, rinse with clean water and dry carefully.
- When you have finished cleaning reconnect the plug with **dry hands**.

## External Cleaning

- Wash the outer cabinet with warm soapy water. Do NOT use abrasive products.
- There are sharp edges on the underside of the product so care should be taken when cleaning.
- Once or twice a year dust the rear of the appliance and the compressor at the back of the appliance, with a brush or vacuum cleaner, as an accumulation of dust will affect the performance of the appliance and cause increased energy consumption.

## When the appliance is not in use

When the appliance is not in use for long periods, disconnect from the electricity supply, empty all of the food and clean the inside. Leave the door open to prevent the build-up of odours.

# Maintenance & Cleaning

## Defrosting

**Note: Care must be taken when performing the following procedure.**

Defrost twice a year or when a frost layer of approximately 7 mm (1/4") has formed.

- 2 hours before the defrosting process, set the thermostat knob at the "5" position to make sure the food is at the lowest temperature before removing the frozen foods. All food should be wrapped in several layers of newspaper and stored in a cool place (e.g. fridge or larder).
- Place several layers of new paper or towels underneath and next to the freezer door/compartment
- Switch off the appliance at the socket outlet and pull out the mains plug.
- Remove all drawers, baskets, etc. and leave the door or lid open. Containers of warm water (not hot) may be placed carefully in the freezer to speed up the defrosting process.
- Never use hairdryers, electrical heaters or other such electrical appliances for defrosting.
- When the ice has melted, clean and dry the interior. Wipe up any spillages that may have occurred.
- Switch the appliance on and replace any frozen food



**Never use sharp metal tools as it may damage the appliance.**

**Never use an electrical heater, this may cause an electric shock.**

## Trouble shooting

Problem	Solution
The freezer doesn't work	Check that the appliance is switched on.
	Check that there has not been a power cut.
	Check that the plug is not faulty.
	Check that the fuse has not blown.
	Check that the voltage is correct for the appliance.
	Are there any faults with the socket? For this purpose, try the plug of your appliance by connecting it to a socket which you are sure is working.
The temperature inside the appliance is not cold enough	Check that there is not too much food in the appliance.
	Check that the thermostat is set to a suitable temperature.
	Check that the appliance is not placed in direct sunlight, or too near to a heating source.
	Check that the ambient temperature is within the operation limits of the appliance.
	Are the doors of the appliance opened frequently? Once the door is opened, the humidity found in the air in the room enters the appliance, especially if the humidity levels in the room are very high. The more frequently the door is opened in humid conditions the more chance of the build up of moisture.
The temperature within the appliance is too cold.	Increase the working temperature by adjusting the thermostat to a lower setting.
The inner surfaces of the appliance are wet	Caused by condensation - dry the inside of the appliance.
The outer surfaces of the appliance are wet	Caused by condensation - dry the outer of the appliance carefully.
Excess ice or frost has built up inside the appliance	Check that the door has not been left open.
	Check that the door gasket is clean and undamaged.

## Trouble shooting

Problem	Solution
Smell/odour	<p>Check all the food and drink that is in the freezer is in date and correctly packaged. If it isn't then it should be removed immediately or repackaged.</p> <p>Check for spillages on each shelf, rack and drawer. You may need to remove the drawers to check that no spillages have settle underneath them. As spillages that have not been cleaned and have been left can cause smells and unwanted odours.</p>
The doors do not close properly	Ensure there are no obstructions preventing door closure.
	Check the door compartments and shelves are correctly in place.
	Check the door seal is not warped or torn.
	Check the appliance is level.
Unusual noises	Check that the appliance is on a flat, level surface and is stable.
	Check the spacing's around the appliance and ensure it is not touching other items.
	<b>Bubbling and gurgling sound:</b> • This noise is emitted as the coolant fluid flows through the pipes within the system. This is normal.
	<b>Water flowing sound:</b> • This is the normal sound of water flowing into the drain trough during the defrosting process.
	<b>If the appliance is operating noisily (compressor noise):</b> This is normal. This noise indicates that the compressor is operating normally. As the compressor is being energized, it might run a bit more noisily for a short period of time.

# Connection to the Mains Supply

**WARNING- THIS APPLIANCE MUST BE EARTHED**

This appliance is designed to operate from a mains supply of AC220V - 240V; 50HZ. Check that the voltage marked on the product corresponds with your supply voltage.

For UK use only – Plug fitting details (where applicable):

As the colours of the wires in the mains lead of this appliance may not correspond with the coloured markings identifying the terminals in your plug, proceed as follows:

The GREEN/YELLOW wire is the EARTH and must be connected to the terminal which is marked with the letter E or by the earth symbol or coloured GREEN or GREEN/YELLOW.

The BLUE wire is the NEUTRAL and must be connected to the terminal marked with the letter N or coloured BLACK.

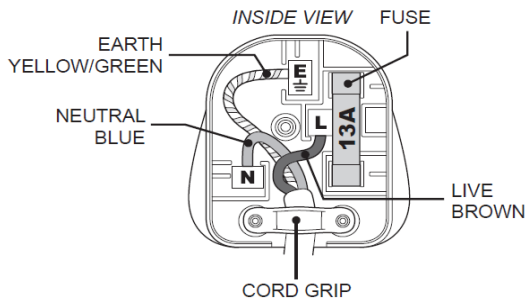
The BROWN wire is the LIVE wire and must be connected to the terminal marked with the letter L or coloured RED.

Always ensure that the plug cord grip is fastened correctly.

If a 13A (BS1363) fused plug is used it must be fitted with a 13amp fuse conforming to BS1362 and be BSI or ASTA approved.



**DANGER  
Electric  
Shock Risk**



## Guarantee

This product is guaranteed for 12 months from the date of the original purchase. If any defect arises due to faulty materials or workmanship you must contact Customer Service with the original proof of purchase so a replacement or refund can be arranged.

Refund or replacement is at the discretion of Customer Service.

### The following conditions apply:

- Customer Service will require a valid proof of purchase at the point of replacement or refund.
- The product must be installed and used in accordance with the instructions contained in this instruction guide and any other instructions for use which has been supplied.
- It must be used for domestic purposes only and for its intended use.
- This guarantee does not cover wear and tear, damage, misuse or consumable parts.

**This does not affect your statutory rights.**

Imported by  
**G2S LIMITED**  
**WIGAN**  
**WN2 4AY**

## Technical Specification

Model number	RHBU60FREEZER-N
Rated Voltage	220V – 240V ~ 50Hz
Capacity	95L
External Dimensions(HxWxD)	820mm x 596mm x 550mm



For Customer Services & Spare  
Parts please call  
**0345 208 8750**  
or visit us at  
<https://mda.russellhobbs.com>



This symbol is known as the 'Crossed-out wheeie bin Symbol'. When this symbol is marked on a product/batteries, it means that the product/batteries should not be disposed of with your general household waste. Only discard electrical/electronic/battery items in separate collection schemes, which cater for the recovery and recycling of materials contained within. Your co-operation is vital to make sure the success of these schemes and for the protection of the environment. For your nearest disposal facility, visit [www.recycle-more.co.uk](http://www.recycle-more.co.uk) or ask in store for details.

We reserve the right due to possible changes to design to alter the instruction manual without prior notice.

 **Russell Hobbs**

Revision 3