

This Owner's Manual is provided and hosted by [Appliance Factory Parts](#).



Russell Hobbs RHEFSTV1002B Owner's Manual

[Shop genuine replacement parts for Russell Hobbs
RHEFSTV1002B](#)



[Find Your Russell Hobbs Small Appliance Parts - Select From 18 Models](#)

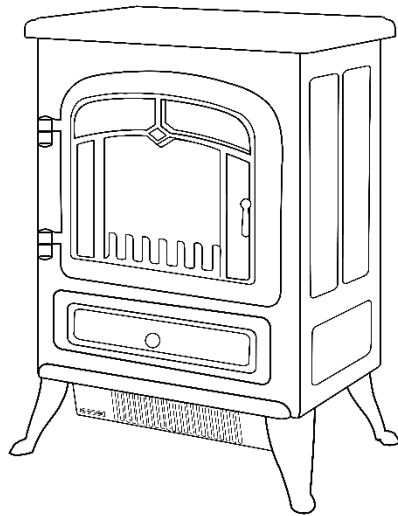
----- Manual continues below -----



Russell Hobbs

At the heart of your home

1.85KW Black Electric Stove Fire User Guide



**Model Number:
RHEFSTV1002B**

**This product is only suitable for well insulated spaces or
occasional use.**

For Customer Services & Spare Parts please call **0345 209 7461**
Or visit us at <http://mda.russellhobbs.com>

**PLEASE RETAIN
FOR FUTURE REFERENCE**

CONTENTS

	Page(s)
Safety Instructions	3 - 5
Stove Feet Installation	6
Product Overview	7
Using your Electric Stove	8-9
Cleaning and Care	10
Problem Solving	11
Guarantee and Customer Services	12
Connection to the Mains Supply	13
Information Requirements for Electric Local Space Heaters	14
Notes	15
Disposable Information	16

SAFETY INSTRUCTIONS

When using electrical appliances, basic safety precautions should always be observed, including the following:

- Read all instructions.
- Check that the your mains voltage corresponds with the rating on the appliance.
- The appliance must not be left unattended while it is connected to the mains supply.
- This appliance must be positioned upright on the floor away from curtains, furniture or wall coverings and other flammable items.
- Do not touch hot surfaces. Use the handle or the controls.
- To protect against electrical shock do not immerse cord, plug, or appliance in water or other liquid. Do not operate with wet hands.
- Do not let the cord hangover the edge of a worktop, table etc. or touch hot surfaces.
- Do not operate any appliance with a damaged cord or plug, or after the appliance malfunctions or is dropped or damaged in any manner. The supply cord cannot be replaced. If the cord is damaged the appliance should be scrapped.
- The use of accessory attachments not recommended by the appliance manufacturer may cause fire, electric shock or injury.
- This appliance must not be immersed
- To disconnect remove the plug from the mains outlet. Do not pull the plug out by the cord.
- Never remove parts from the appliance, such as the feet, screws and so on.
- Never use the appliance near a bath, shower or a swimming pool.
- Never use the appliance on or near hot surface.
- Never move the appliance by pulling the cord.
- Never place flammable objects or clothing on top of the appliance.
- Never move the heater when it is operating. Turn the heater off before move it.
- Allow at least 15cm safe area around the appliance on the top, at the front and sides to provide good air circulation.
- Prevent overheating of the appliance by keeping the air inlets and outlets clean and free of anything that may cause blockage. Check all inlets and outlets from time to time for accumulated dust. DO NOT COVER.



WARNING: In order to avoid overheating, do not cover the heater.

SAFETY INSTRUCTIONS

- Never use the appliance in a room with explosive gas such as petrol, or while using any kinds of flammable glues, sprays or solvents.
- The appliance must not be used with an extension lead.
- Do not place any part of your body near the air inlet, outlet or on the fins ,to avoid personal injury, electric shock or fire.
- If overheating should occur, the built-in overheating safety device will shut the appliance off.
- Caution: Some parts of this product can become very hot and cause burns. Particular attention must be given when children vulnerable people are present.
- Do not insert any foreign objects into the grill.
- Keep all grills clear of any draped fabric or curtains.
- The appliance must not be located immediately below a mains socket. Do not use the appliance with a programmer, timer or any other device that switches the appliance on automatically. A fire risk exists if the appliance is covered or positioned incorrectly.
- Do not operate this appliance for any thing other than its intended use.
- This appliance is not intended for commercial use
- **This product is intended for household use only.** Do not use outdoors.
- This product is only intended for heating.
- **Warning:** It is hazardous for anyone other than a competent person to carry out any service or repair operation which involves the removal of a cover which gives protection against exposure to electrical parts.
- **Warning:** Children should not use this appliance. Close supervision is necessary when any appliances are used near children.
- This appliance can be used by children aged from 8 years and above and persons with reduced physical, sensory or mental capabilities or lack of experience and knowledge if they have been given supervision or instruction concerning use of the appliance in a safe way and understand the hazards involved. Children shall not play with the appliance. Cleaning and user maintenance shall not be made by children without supervision.
- Children of less than 3 years should be kept away unless continuously supervised.
- Children aged from 3 years and less than 8 years shall only switch on/off the appliance provided that it has been placed or installed in its intended normal operating position and they have been given supervision or instruction concerning use of the appliance in a safe way and understand the hazards involved. Children aged from 3 years and less than 8 years shall not plug in, regulate and clean the appliance or perform user maintenance.

SAFETY INSTRUCTIONS

- **Warning:** This appliance is not intended for use by persons (including children) with reduced physical, sensory or mental capabilities, or lack of experience and knowledge, unless they have been given supervision or instruction concerning use of the appliance by a person responsible for their safety. Children should be supervised to make sure that they do not play with the appliance.
- **Warning:** This heater is not equipped with a device to control the room temperature. Do not use this heater in small rooms when they are occupied by persons not capable of leaving the room on their own, unless constant supervision is provided.

Electrical Safety

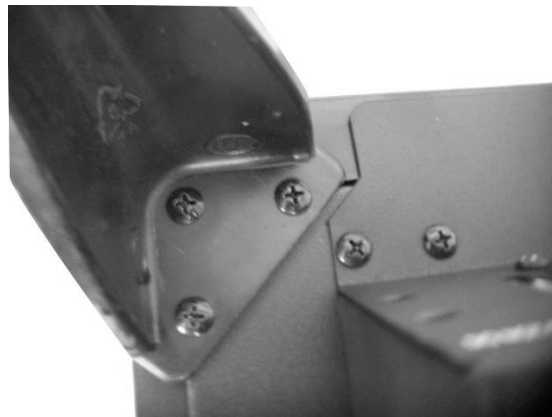
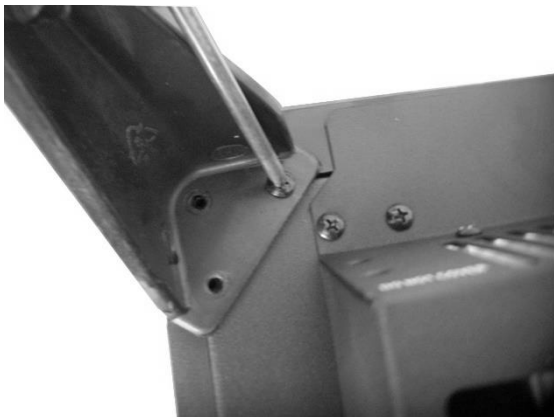
THIS APPLIANCE MUST BE PLUGGED INTO AN EARTHED SOCKET

- Before switching on, make sure that the voltage of your electricity supply is the same as that indicated on the rating plate. This product is designed to operate on 220 – 240V AC; 50Hz. Connection to any other power source may damage the unit.
- This product may be fitted with a non re-wireable plug. If it is necessary to change the fuse in the plug, the fuse cover must be refitted. If the fuse cover becomes lost or damaged, the plug must not be used until a suitable replacement is obtained.
- If the plug has to be changed because it is not suitable for your socket, or becomes damaged in any way, it should be cut off and an appropriate plug fitted. This should be carried out by a qualified electrician. The plug removed must be disposed of safely, as insertion into a 13 Amp socket is likely to cause an electrical hazard.

STOVE FEET INSTALLATION

This stove is supplied with the feet removed in order to prevent damage during transportation. To fitting the feet, please follow these instruction.

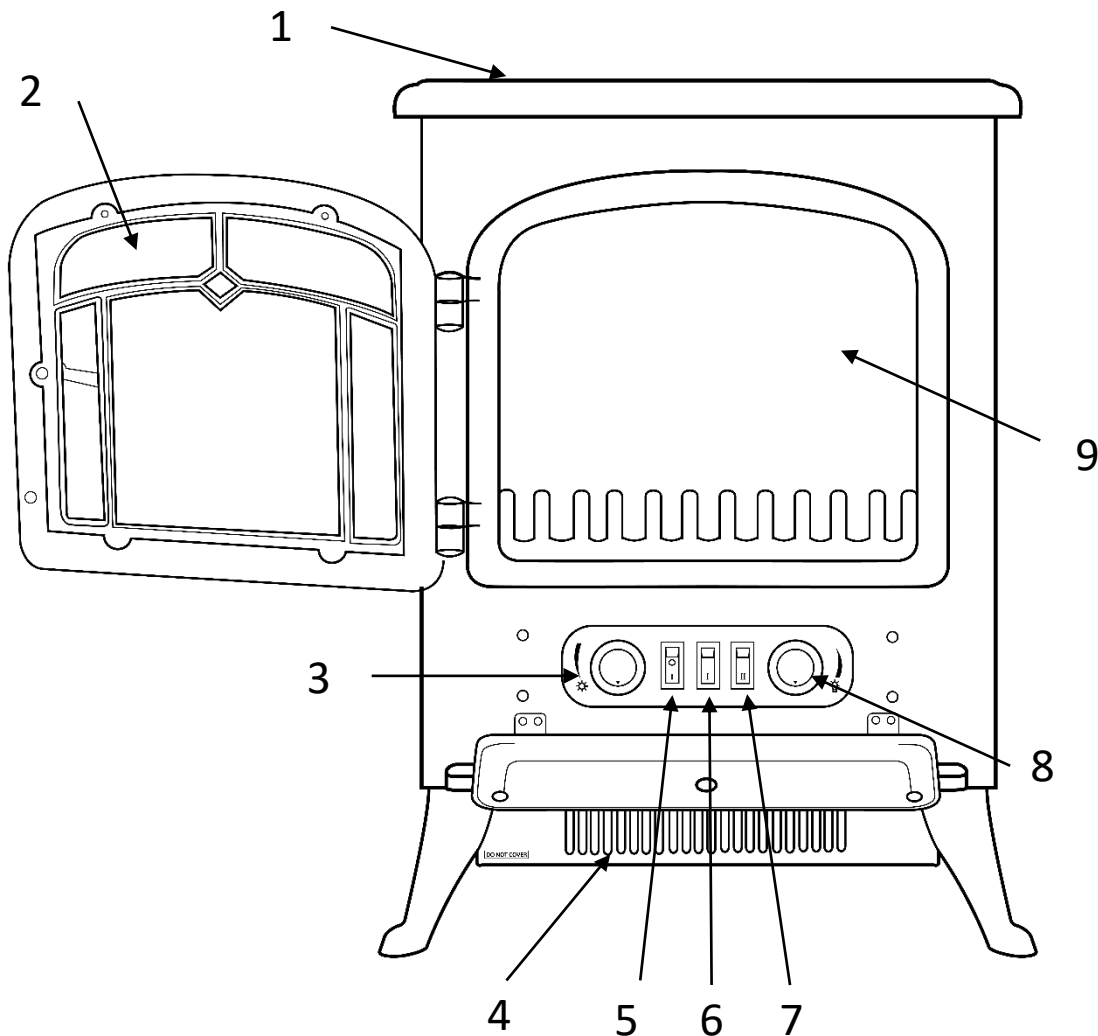
- Remove feet from the packaging. Locate and line up holes in the feet with holes underneath the stove. Repeat the above for the other three feet.
- Use a screwdriver to fit the feet onto the stove. Screws are provided and packed with the instruction manual.
- Below pictures show when the feet are fixed onto the stove correctly.



- Below picture shows when all four feet are installed.

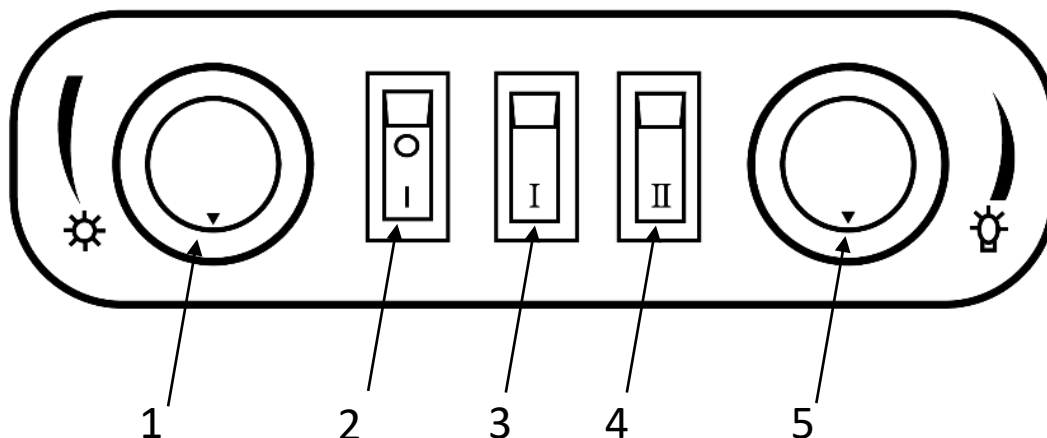


PRODUCT OVERVIEW



- | | |
|-----------------------------|------------------------------|
| 1. Top of the electric fire | 6. Low heat setting 'I' |
| 2. Door assembly and window | 7. High heat setting 'II' |
| 3. Thermostat control dial | 8. Flame effect control dial |
| 4. Air outlet | 9. Log effect fire bed |
| 5. On/Off switch | |

USING YOUR ELECTRIC STOVE



- | | |
|----------------------------|------------------------------|
| 1. Thermostat control dial | 4. High heat setting 'II' |
| 2. On/Off switch | 5. Flame effect control dial |
| 3. Low heat setting 'I' | |

- Before connecting to the mains socket, position the appliance away from curtains, furniture or wall coverings and other flammable materials.
- Insert the mains plug into a suitable 13 Amp mains socket.
- To activate the heater, press ON/OFF switch to turn on the heater.
- Turn Thermostat Control clockwise to increase the temperature or turn anti-clockwise to decrease the temperature.
- Turn the Flame Adjustment clockwise to increase the flame effect and anti-clockwise to dim down the flame effect.
- Press the 'I' switch for the low heat setting and then press the 'II' switch for the maximum heat setting.

Note: maximum heat can only be switched on when press 'I' and then 'II' afterwards. If only press 'II', the maximum heat will not work.

USING YOUR ELECTRIC STOVE

Safety Protective Devices

The appliance is fitted with an over heat protection and safety cut off system.

- Overheat protection - the power to the heating elements will automatically cut off if the temperature of the heating elements exceeds a certain limit. In the event of overheating, the heater will stop operating. Switch the appliance off and allow it to completely cool.
- This appliance is fitted with a safety cut-off which will operate if the heater overheats (e.g. Due to blocked air vents). For safety reasons, the heater will NOT automatically reset. To reset the appliance, disconnect the appliance from the mains supply for at least 15 minutes. Reconnect the supply to the mains and switch on the appliance.

CLEANING AND CARE

WARNING: Electrical Shock Hazard.

Before you clean the appliance, disconnect the mains plug from the wall socket.

- Allow the appliance to cool down completely before cleaning.
- Do not immerse cord, plug or appliance in any liquid or allow moisture to come into contact with electrical parts.
- Clean the outer surface using a moist cloth and wipe over with a dry, soft cloth.
- Do not use harsh detergents, abrasives or spray on cleaners.
- Don't allow water to seep into the openings or come into contact with electrical connections.
- Allow sufficient drying time before operating again.
- Clean the air inlets and outlets regularly with a vacuum cleaner using the brush attachment (with a regular use, at least twice a year).
- When the appliance is not in use. We recommend that, the heater is re-packed in its original packaging and stored in a cool, dry place.

PROBLEM SOLVING

My appliance does not work when I turn it on:

1. Check that your appliance is plugged in and the power is turned on at the mains socket.
2. Try another mains socket.
3. Check the appliance is in an upright position.
4. Check that the thermostat setting has not been set too low.
5. If the appliance still doesn't work, do not try to repair it yourself.

If your appliance power is automatically cut off, follow the step below:

1. Unplug your appliance from the mains socket and allow it to completely cool down.
2. Inspect your appliance. Clean the air inlet and air outlet with a vacuum cleaner if necessary. If there are any signs of physical damage (e.g. melting, or burning of the case), do not attempt to use the appliance. Please leave all maintenance work to qualified personnel.
3. Plug in the appliance and switch it on again. If it cuts off again, move the appliance to a better ventilated location.

Note: This appliance has LED light bulbs to create the flame effect, therefore it should only be serviced by qualified electricians.

GUARANTEE AND CUSTOMER SERVICES

At Russell Hobbs, we take all our customer feedback seriously.

**Feel free to contact our Customer Service Team on
0345 209 7461
who will be more than happy to assist you.**

This product is guaranteed for **12months** from the date of the original purchase. If any defect arises due to faulty materials or workmanship, the faulty product must be returned to the place of purchase. Refund or replacement is at the discretion of the retailer.

The following conditions apply:

- The product must be returned to the retailer with the original proof of purchase.
- The product must be installed and used in accordance with the instructions contained in this instruction guide and any other instructions for use which are supplied.
- It must be used for domestic purposes only and for its intended use.
- This warranty does not cover wear and tear, damage, misuse or consumable parts.

This does not affect your statutory rights.

CONNECTION TO THE MAINS SUPPLY

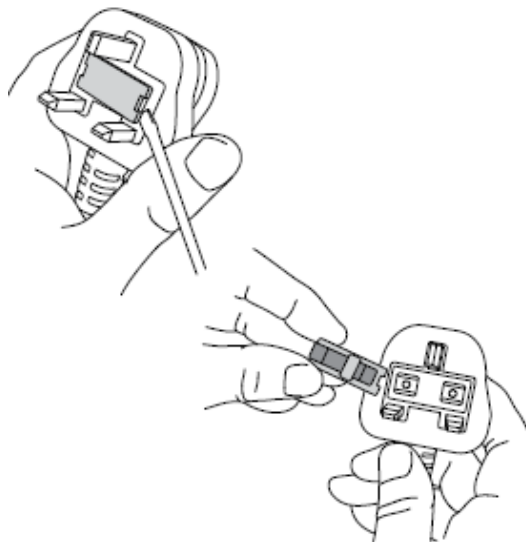
This appliance is designed to operate from a mains supply of 220-240V~50Hz.

Check that the voltage marked on the product corresponds with your supply voltage.

How to change the fuse

1. Slot the end of a screwdriver into the recess in the fuse holder of the plug.
2. Pull the fuse holder upwards until free of the plug and slide the fuse out.
3. Replace the fuse and replace fuse holder, pushing down until locked into place.

Important: Only ever use a 13 amp fuse.



Information Requirements for Electric Local Space Heaters

Heat output	Symbol	Value	Unit
Nominal heat output	P _{nom}	1.85	kW
Minimum heat output (indicative)	P _{min}	0.925	kW
Maximum continuous heat output	P _{max,c}	1.85	kW

Auxiliary electricity consumption	Symbol	Value	Unit
At nominal heat output	e _{lmax}	0,0	kW
At minimum heat output	e _{lmin}	0,0	kW
In standby mode	e _{lSB}	0,0	W

Type of heat output/room temperature control	yes or no
single stage heat output and no room temperature control	[no]
Two or more manual stages, no room temperature control	[no]
with mechanic thermostat room temperature control	[yes]
with electronic room temperature control	[no]
electronic room temperature control plus day timer	[no]
electronic room temperature control plus week timer	[no]

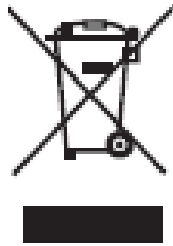
Other control options (multiple selections possible)	yes or no
room temperature control, with presence detection	[no]
room temperature control, with open window detection	[no]
with distance control option	[no]
with adaptive start control	[no]
with working time limitation	[no]
with black bulb sensor	[no]

Notes

For Customer Services & Spare
Parts please call: **0345 209 7461**

Or visit us at
<http://mda.russellhobbs.com>

Revision 1.5



This symbol is known as the 'Crossed-out wheellie bin Symbol'. When this symbol is marked on a product/batteries, it means that the product/batteries should not be disposed of with your general household waste. Only discard electrical/electronic/battery items in separate collection schemes, which cater for the recovery and recycling of materials contained within. Your co-operation is vital to make sure the success of these schemes and for the protection of the environment. For your nearest disposal facility, visit www.recycle-more.co.uk or ask in store for details. We reserve the right due to possible changes to design to alter the instruction manual without prior notice.