

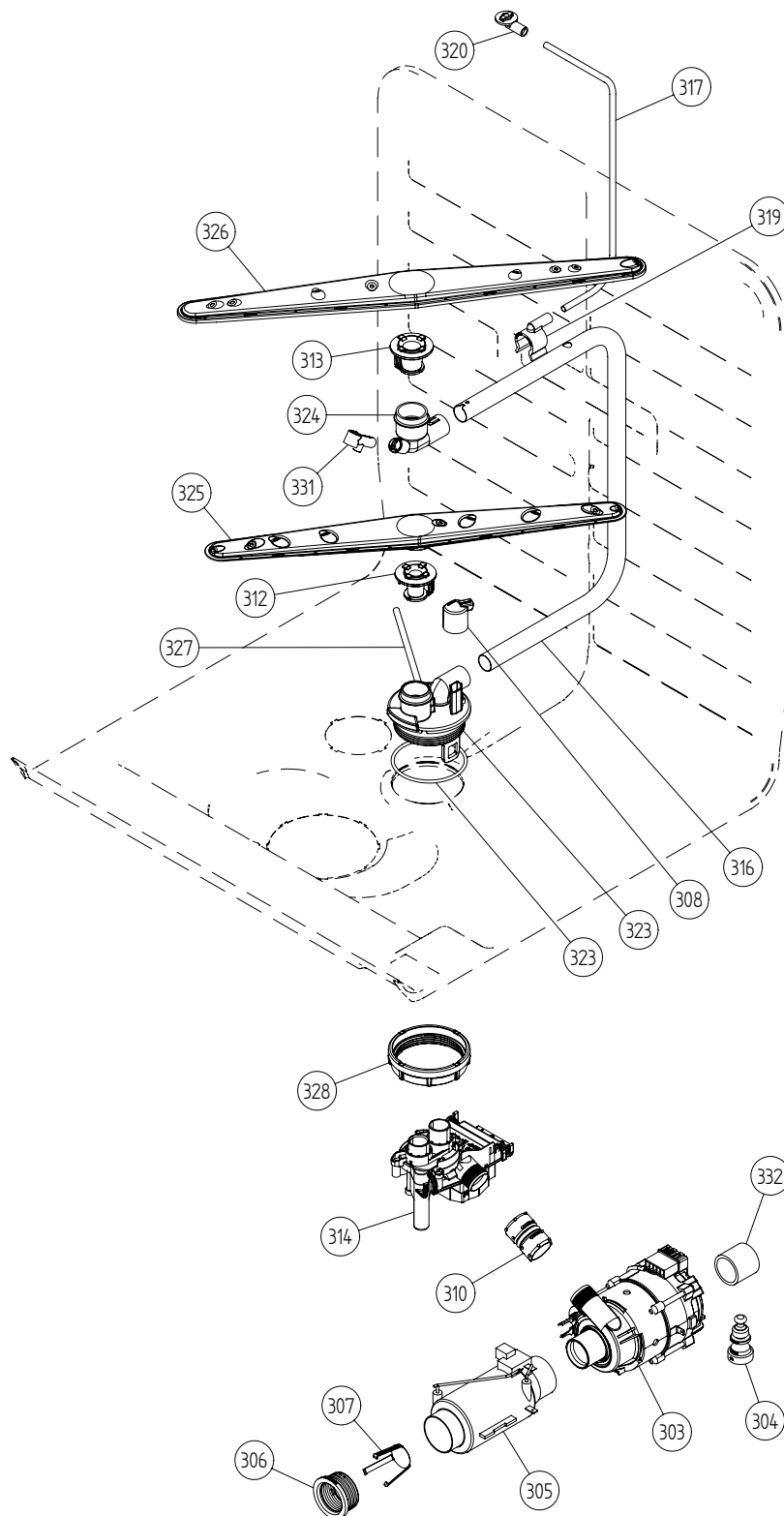
## Spare Parts Catalogue

Dishwashers \ 3000XL Series  
Type: DW20.4  
Model: D3531 XL US SS BiH

Prod. No: 107353141  
October 6th 2004

**AM Appliances Group**

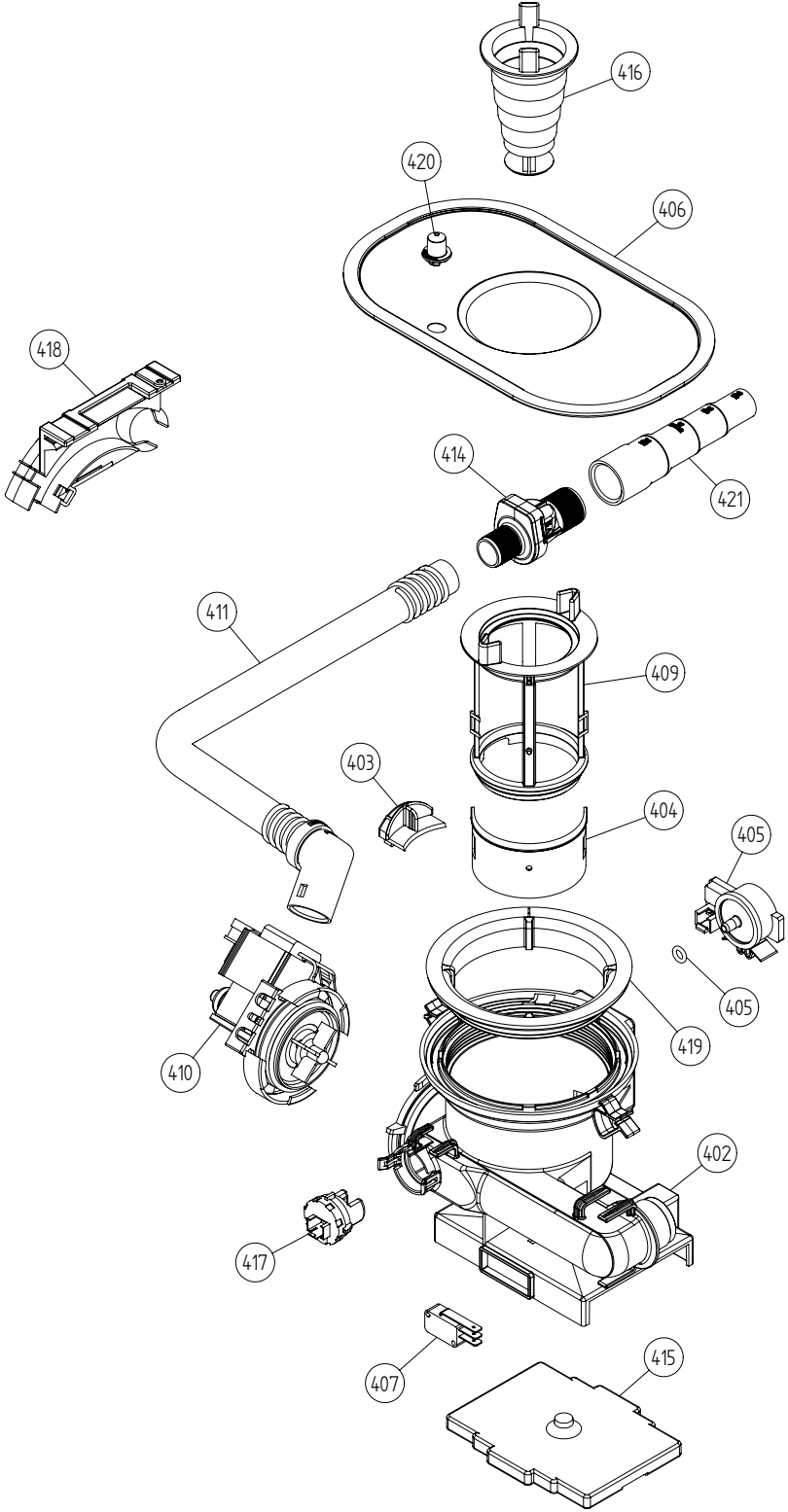
P.O. Box 851805 • Richardson • TX 75085-1805  
789 N. Grove Road • Suite 103 • Richardson • TX 75081



## Wash system

### ASKO, D3531 XL US - SS BiH (DW20.4)

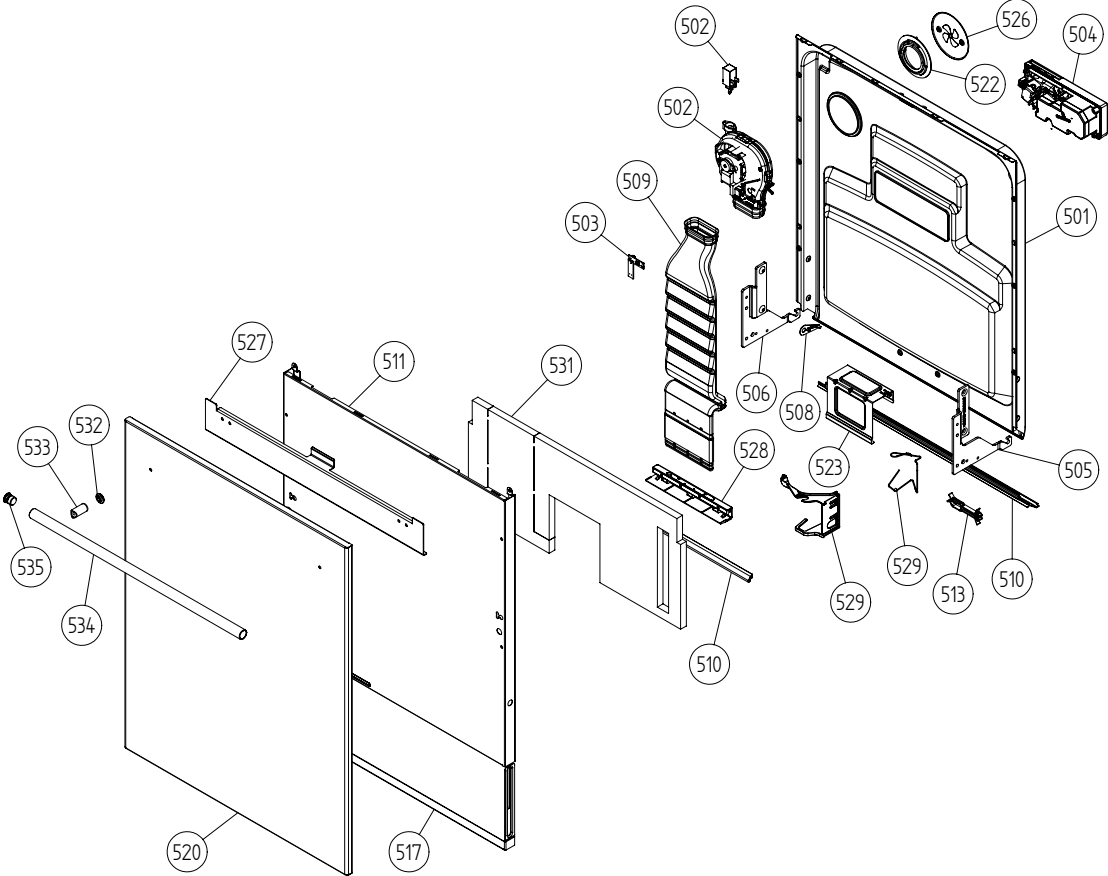
Pos	Spare part No.	Description	Qty	Comment
301	8073502	-	1 Pcs	Not to be ordered
303	8073813	CIRCPUMP 120V 60HZ UL4	1 Pcs	
303-a	8075380	CAPACITOR 16UF CIRCPUMP DW20	1 Pcs	
304	8075130	RUBBER DAMPER CIRCPUMP UL4	1 Pcs	
305	8073785	HEATINGELEMENT 1200W 120V	1 Pcs	
306	8073702	ELEMENT TRANSMUTATION UL4	2 Pcs	
307	8075070	INSERT FOR HEATER	1 Pcs	
308	8073385-77	CUP DRAINAGE GREY	1 Pcs	
310	8072888	HOSE CIRKPUMP UL4	1 Pcs	
310-a	8056491	HOSE CLIP 301-708	2 Pcs	
312	8072728-77	SPRAY ARM BEARING L GREY UL4	1 Pcs	
313	8072731-77	SPRAYARM BEARING UPPER UL4	1 Pcs	
314	8073822	WATER DIV VALVE 120V 60HZ UL4	1 Pcs	
314-a	8073003	O-RING 200X375 NRB70 UL4	2 Pcs	
316	8073387-D	SPRAY PIPE	1 Pcs	
317	8073394-E	SPRAY PIPE KNIFE SPRAYER UPPER	1 Pcs	
319	8057504-77	SPRAY PIPE GROMMET LOWER GREY	1 Pcs	
320	8057503-77	SPRAY PIPE GROMMET UPPER GREY	1 Pcs	
323	8071606-L-77	SPRAYTOWER L SPRAY NOZZLE UL4	1 Pcs	
323-a	8901765	O-RING 695X3 UL4	1 Pcs	
324	8072730-L-77	SPRAYTOWER U SPRAY NOZZLE UL4	1 Pcs	
325	8072891	SPRAYARM LOWER COMPLETE	1 Pcs	
326	8072894	SPRAYARM UPPER COMPLETE	1 Pcs	
327	8073381	TUBE POTRINSE 6x160	1 Pcs	
327-a	8902085	SCREW PT KB40X10 WN1442 RFS	2 Pcs	
328	8071607	LOCKRING SPRAYPIPE BEARING UL4	1 Pcs	
330	8073384-77	CUP DRAINAGReplby 8073385-77	1 Pcs	
331	8072543-77	SPRAY NOZZLE UL4	1 Pcs	For part no 8073381 and 8072730-L-77
332	8075420	HOSE 268X328X295	1 Pcs	
332-a	8052189	HOSE CLIP RFZ 170-706R	2 Pcs	



## **Bottom well and related parts**

### **ASKO, D3531 XL US - SS BiH (DW20.4)**

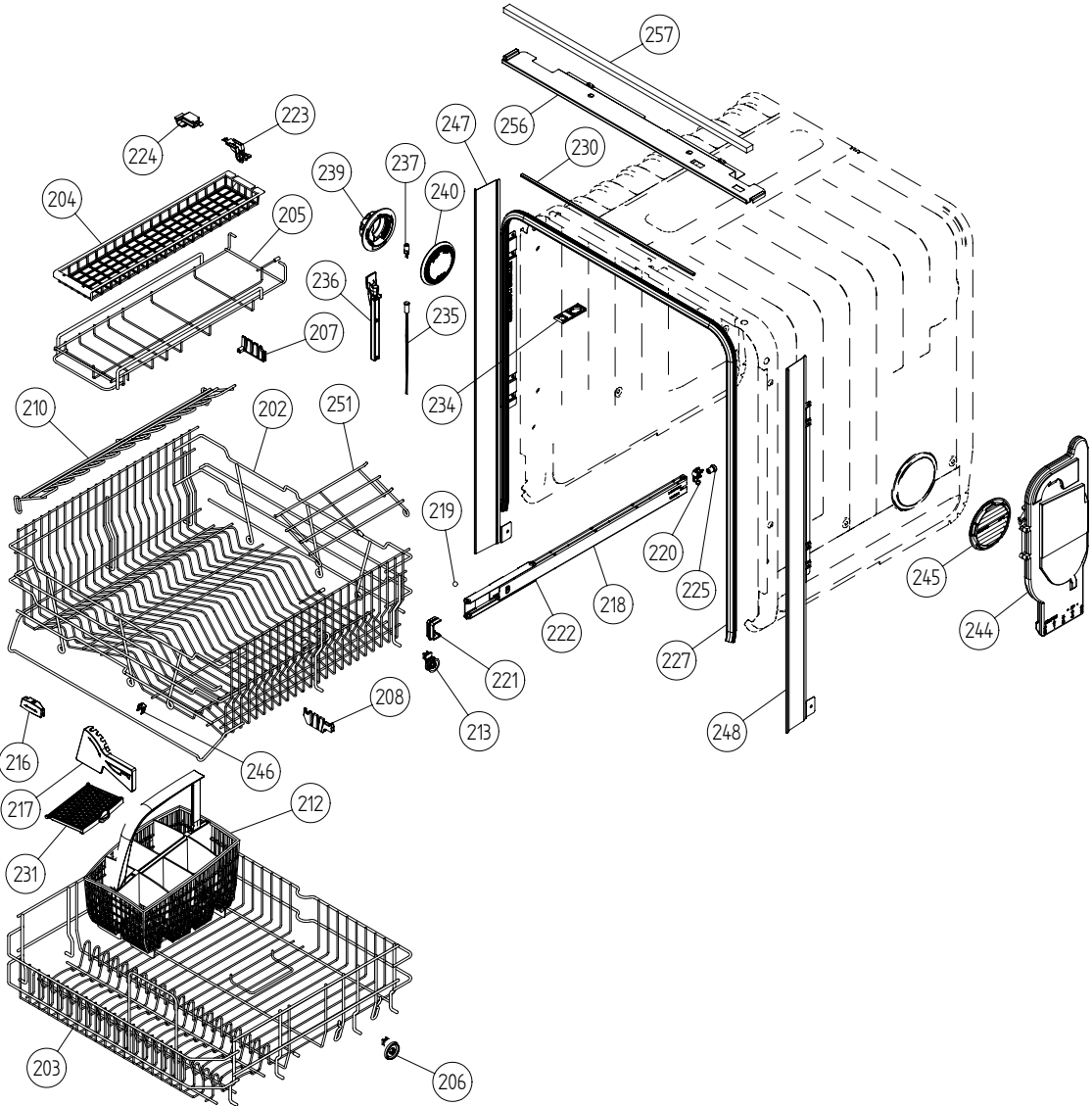
<b>Pos</b>	<b>Spare part No.</b>	<b>Description</b>	<b>Qty</b>	<b>Comment</b>
402	8073692-77	BOTTOM WELL 2 SENSOR GREY UL4	1 Pcs	
402-a	8073002	O-RING 109x4 NBR70 UL4	1 Pcs	
403	8057487-79	COVER PLATE BOTTOM WELL YELLOW	1 Pcs	
404	8058454	COVER PLATE INLET DW95	1 Pcs	
405	8073839	PRESSURE SENSOR UL4	1 Pcs	
405-a	8074040	O-RING 63X24 NBR70 UL4	1 Pcs	
406	8074364	STRAINER DW20	1 Pcs	
406	8074252	Use 8074364	1 Pcs	
407	8073835	MICROSWITCH FLOAT	1 Pcs	
409	8073396-77	INSERT STRAINER BASKET	1 Pcs	
410	8073818	DRAIN PUMP 120V 60HZ UL4	1 Pcs	
410-a	8002584	O-RING 495X30 NBR70 UL1	1 Pcs	
411	8074030	OUTLET HOSE 25 M UL4	1 Pcs	
411-a	8052239	HOSE CLIP RFZ 285-316-706R	1 Pcs	
411-b	8052430	CABLE STRIP PLT3S -M (291X48)	1 Pcs	
414	8801248	KIT CHECK VALVE	1 Pcs	
414-a	8052239	HOSE CLIP RFZ 285-316-706R	1 Pcs	
414-b	8053642	HOSE CLIP 271-708	1 Pcs	
415	8075110	FLOAT	1 Pcs	
416	8057972-77	STRAINER BASKET GREY	1 Pcs	
417	8073838	TURBIDSENSOR UL4	1 Pcs	
417-a	8073003	O-RING 200X375 NRB70 UL4	1 Pcs	
418	8072528-77	HOLDER OUTLETHOSE	1 Pcs	
418-a	8053642	HOSE CLIP 271-708	1 Pcs	
418-b	8052239	HOSE CLIP RFZ 285-316-706R	1 Pcs	
418-c	33700450	CABLE STRIP T 30 R	1 Pcs	
418-d	8902072	SCREW PT KB40X10 WN1442 GALV	1 Pcs	
419	8072848	LOCKRING BOTTOM WELL UL4	1 Pcs	
420	8074760-77	VENTILATOR UL4	1 Pcs	
421	8075321	END CUFF USA UL4	1 Pcs	



## Inner door, panel and related parts

### ASKO, D3531 XL US - SS BiH (DW20.4)

Pos	Spare part No.	Description	Qty	Comment
501	8801254	DOOR INNER INSUL FAN/INT 86CM	1 Pcs	
501-a	8900646	SCREW A4 RTS 42X13 T20 SORT	6 Pcs	
501-b	8902121	SCREW A2-MKFT 5X10	4 Pcs	
502	8073852	FAN COMPL 120V FOR SENSOR	1 Pcs	
502-a	8058501	O-RING 83X3 NBR 70 UL4	1 Pcs	
502-b	8052778	WAXMOTOR 10033214	1 Pcs	
503	8073840	HUMIDITY SENSOR UL4	1 Pcs	
504	8073803	COMBIDISP REED REAY 120V UL4	1 Pcs	
504-a	8071916	SEALDETCOMPLID	1 Pcs	
504-b	8071917	CAP RINSE AGENT	1 Pcs	
504-c	8071918	LIDINCLSEAL AND SPRING	1 Pcs	
504-d	8072288	SEALING STRIP COMBIDISP	1 Pcs	
504-f	8902087	SCREW PTK 40X14 WN1452 FZB T20	6 Pcs	
505	8057524	HINGE RIGHT PAINTED DW95	1 Pcs	
505-a	8057530	HINGE SCREW DW95	1 Pcs	
505-b	33500262	NUT M4 (LOC-KING) 4 DIN 985	1 Pcs	
506	8057525	HINGE LEFT PAINTED DW95	1 Pcs	
506-a	8057530	HINGE SCREW DW95	1 Pcs	
506-b	33500262	NUT M4 (LOC-KING) 4 DIN 985	1 Pcs	
507	8057530	HINGE SCREW DW95	2 Pcs	
507-a	33500262	NUT M4 (LOC-KING) 4 DIN 985	2 Pcs	
508	8057948	SLIDE WASHER HINGE BEARINGDW95	2 Pcs	
509	8057963-P	AIR CANNEL ADJUSTABLE DOOR	1 Pcs	
510	8073479	DOOR SEAL Replby 8060254	1 Pcs	
510	8057949	DOOR SEAL Replby 8060254	1 Pcs	
510	8060254	DOOR SEAL LOWER CUTTING 555	1 Pcs	
511	8074800-PT	DOOR OUTER LONG INT. ADJUST.	1 Pcs	
511	8074800-PT-81	Outer door long 3000XL	1 Pcs	
511-a	8900646	SCREW A4 RTS 42X13 T20 SORT	6 Pcs	
513	8074015	CABLE BRACKET DOOR	1 Pcs	
517	8074012-81	ADJUSTABLE FRAME AIR CHANNEL	1 Pcs	
517-a	8902133	SCREW MRT-GF M5x8 COMB T25 FZB	2 Pcs	
520	8075678-95	COVER SHEET ASKO USA 86CM	1 Pcs	
520-a	8900254	SCREW A4 RTS 42X38	4 Pcs	
520-b	8902357	SCREW RTS 42X13 FZB T20 SORT	2 Pcs	
522	8057964	LOCK RING FAN CASING UL4	1 Pcs	
522-a	8902085	SCREW PT KB40X10 WN1442 RFS	2 Pcs	
523	8057983	BRACE 86CM	1 Pcs	
523-a	8900646	SCREW A4 RTS 42X13 T20 SORT	2 Pcs	
523-b	8902357	SCREW RTS 42X13 FZB T20 SORT	2 Pcs	
526	8058484	COVER PLATE FAN WITH SYMBOL	1 Pcs	
526-a	8902085	SCREW PT KB40X10 WN1442 RFS	2 Pcs	
527	8074591	REINFORCEMENT FRONT SHEET DW20	1 Pcs	
528	8072732-33	NOZZLE AIR DUCT INT COMPL /2	1 Pcs	
529	8074278	BRACKET FOR HARNESS UL4	1 Pcs	
529	8073612	BRACKET FOR HARNESS	1 Pcs	
531	8074258	SOUND ABSORBTION OUTERDOOR	1 Pcs	
532	8075390	BUSHING FOR HANDLE	2 Pcs	
533	8072436	CROSS BRACE HANDLE DIAM16	2 Pcs	
533	8075988	CROSSBAR HANDLE DIAM16	2 Pcs	
534	8072435	HANDLE 20X15X560	1 Pcs	
534-a	8072439	SCREW MC6S M5x45 88 FZB	2 Pcs	
535	8075836	ENDPLUGS FOR HANDLE RFS	1 Pcs	
535-a	8901774	O-RING 125X25 NBR72	1 Pcs	

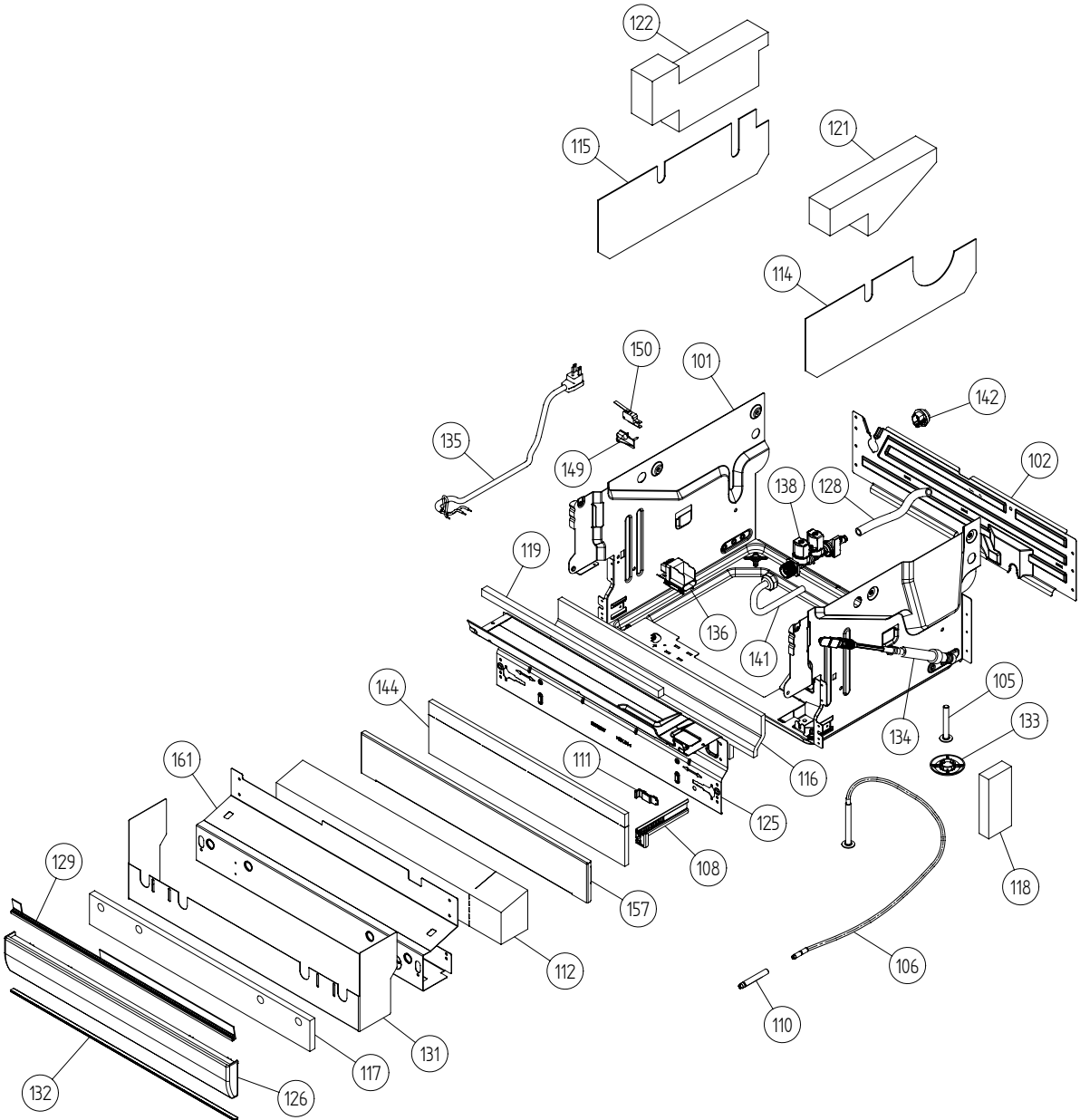




## Baskets and related parts

### ASKO, D3531 XL US - SS BiH (DW20.4)

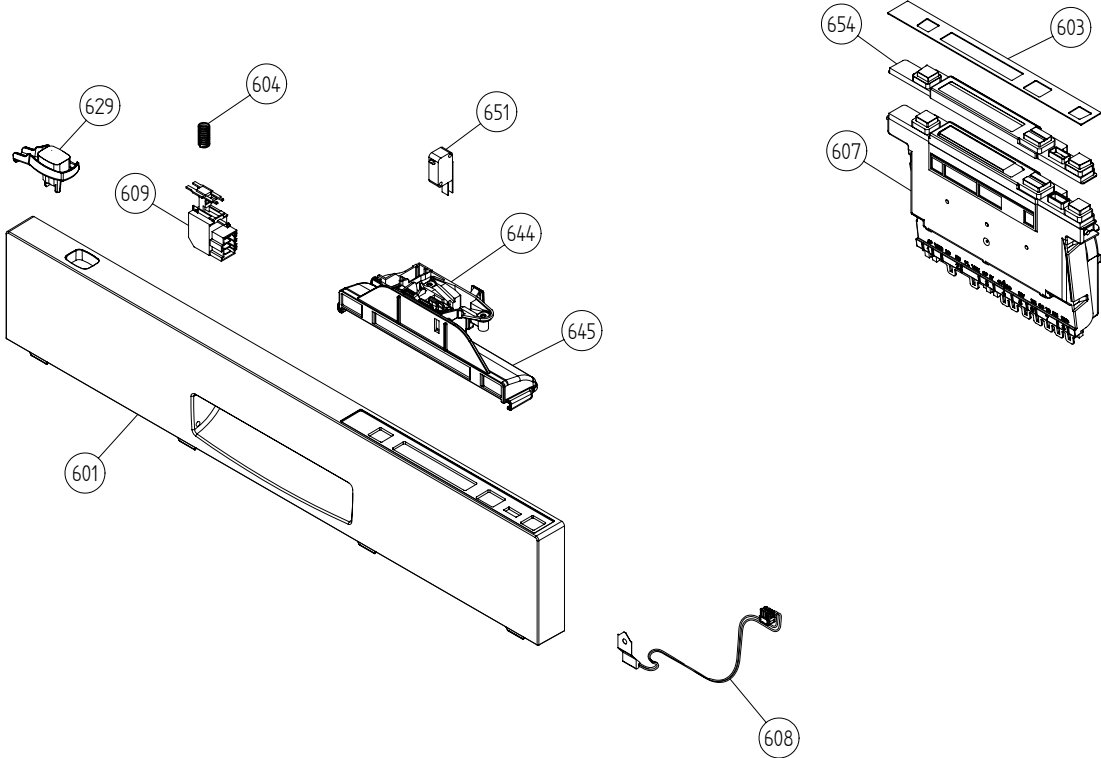
Pos	Spare part No.	Description	Qty	Comment
201	8057056	-	1 Pcs	Not a spare part
202	8801236-36	UPPER BASKET EXCL CPL DGREY	1 Pcs	
203	8801237-36	LOWER BASKET EXCL CPL LGREY	1 Pcs	
204	8053376-77	CUTLERY BASKET UPPER GREY	1 Pcs	
205	8057058-36	BASKET KNIFE BOX D-GREY DW95	1 Pcs	
206	8009516-77	BASKET WHEEL COMPL GREY	8 Pcs	
207	8057505-77	KNIFE STAND GREY DW95	1 Pcs	
208	8071214-77	HOLDERCARVING KNIVES U-BASKET	2 Pcs	
210	8071337-36	CUP SHELF WINE GLASS MGR ADJ	1 Pcs	
212	8801239-77	CUTLERY BASKET INCL DOOR	1 Pcs	
213	8058498-77	BASKET WHEEL COMPL GREY DW95	4 Pcs	
216	8072553-77	BRACKET PIN ROW UPPER BASKET	1 Pcs	
217	8072554-77	KNIFE GUARD	1 Pcs	
218	8057052	GUIDE RAIL	2 Pcs	
219	8057977	BALL DIAM 8 DW95	8 Pcs	
220	8057978-77	BALLCATCH GREY COMPL	2 Pcs	
221	8057979-77	BASKET STOP GREY	2 Pcs	
222	8058638-77	BALL DISTANCE RING GUIDE RAIL	2 Pcs	
223	8057502	SLIDING BRACKET 1 DW95	1 Pcs	
224	8058453	GLIDEMOUNT 2 DW95	1 Pcs	
225	8071247	RUBBER BUFReplby 8057978-77	2 Pcs	
227	8057489-E	DOOR STRIP 86CM UL4	1 Pcs	
230	8071257	EDGE GUARD L=420 MM	1 Pcs	
231	8072986-77	DOOR CUTLERYBASKET UL4	1 Pcs	
234	8070649	LOCK HITCH INTEGR	1 Pcs	
234-a	8070648	LOCK WASHER INTEGR	1 Pcs	Part of 8070469
234-b	8901104	SCREW M4x8 A4 MRT VAXED T20	1 Pcs	
235	8075728	CABLE SET LIGHTING	1 Pcs	
236	8073674	CABLE CHANNEL UL4	1 Pcs	
237	8073830	HALOGEN LAMP UL4	1 Pcs	
239	8072426	LAMP GUARD UL4	1 Pcs	
239-a	8901765	O-RING 695X3 UL4	1 Pcs	
240	8072425	LAMP CHIMNEY UL4	1 Pcs	
244	8057514	AIRBREAK STD W O-RING UL4	1 Pcs	
244-a	8052189	HOSE CLIP RFZ 170-706R	1 Pcs	
245	8057536-77	LOCKRING AIRBREAK GREY	1 Pcs	
246	8075350	CLIPS FOR KNIFE GUARD	1 Pcs	
247	8074342-E-95	TRIM STRIP LEFT USA 86CM SS	1 Pcs	
247-a	8900646	SCREW A4 RTS 42X13 T20 SORT	2 Pcs	
248	8074343-E-95	TRIM STRIP RIGHT USA 86CM SS	1 Pcs	
248-a	8900646	SCREW A4 RTS 42X13 T20 SORT	2 Pcs	
251	8073508-36	CUP SHELF DIVIDE HI CONTAINER	2 Pcs	
256	8075663-95	trim rail 3000xl	1 Pcs	
257	8075664	sealing stripe 3000xl	1 Pcs	



## Base and related parts

### ASKO, D3531 XL US - SS BiH (DW20.4)

Pos	Spare part No.	Description	Qty	Comment
101	8074450	BOTTEM OUTER DW20	1 Pcs	
101-a	8901104	SCREW M4x8 A4 MRT VAXED T20	2 Pcs	
101-b	8901110	SCREW O-RING A2-M6X12 T30	4 Pcs	
102	8073880	REAR PANEL	1 Pcs	
102-a	8902357	SCREW RTS 42X13 FZB T20 SORT	5 Pcs	
103	8074268	SOUND ABSORBTION REARPANEL	1 Pcs	
105	8074228	FOOT M10X75 T30 88 FZB	2 Pcs	
106	8073647	FOOT ADJUSTABLE FROM FRONT CPL	1 Pcs	
110	8074939	EXTENSION AXLE FOR ADJ FOOT	1 Pcs	
112	8071241	SOUND PROFILE KICK PLATE	1 Pcs	
114	8060035	SOUND ABSORP SELF ADH R	1 Pcs	
115	8060034	SOUND ABSORP SELF AD L	1 Pcs	
116	8058353	SOUND ABSORBENT GUARD PLATE	1 Pcs	
117	8071242	SOUND ABSORBTION PLINTH	1 Pcs	
118	8060038	SOUND ABBLOCK BOTTOM OUTER	2 Pcs	
119	8074260	SOUND ABSORBTION PROFILE	1 Pcs	
121	8071255	SOUND INS MOTOR COMP RIGHT	1 Pcs	
122	8071254	SOUND INS MOTOR COMPART LEFT	1 Pcs	
125	8076822	GUARD PLATE	1 Pcs	
125	8073707	GUARD PLATE	1 Pcs	
125-a	8902357	SCREW RTS 42X13 FZB T20 SORT	4 Pcs	
126	8071230-81	PLINTH GREY	1 Pcs	
128	8075636	RUBBER HOSE 10X15X195	1 Pcs	
128-a	8052189	HOSE CLIP RFZ 170-706R	2 Pcs	
129	8075540	SEALING STRIP PLINTH/FRONT SHE	1 Pcs	
131	8075680	COVER PLATE FOR PLINTH USA	1 Pcs	
131	8075680-81	COVER PLATE FOR PLINTH US 86XL	1 Pcs	
131-a	8900352	SCREW RTS ST 42X13 FZB TORX/J	2 Pcs	
132	8071243	SEALING STRIP PLINTH-FLOOR	1 Pcs	
133	8051957	SLIDE FOOT DM-14	3 Pcs	
134	8076163-77	DOOR SPRING FRONT DOOR MOUNTED	2 Pcs	
135	8073774	CORD SET AMERICA	1 Pcs	
136	8073781	FILTER WITH SCREWPLINT	1 Pcs	
136-a	8902131	SCREW MRT-TT 4X6 FZB T20	1 Pcs	
138	8073827	INLVALVE SECURITY 120V SENSOR	1 Pcs	
138-a	8052189	HOSE CLIP RFZ 170-706R	1 Pcs	
141	8073879	CONNECTIONS PIPE 3/8-3/4	1 Pcs	
142	8006948	GROMMET Z13	1 Pcs	
149	8054907	SWITCH BRACKET UL4	1 Pcs	
149-a	8902087	SCREW PTK 40X14 WN1452 FZB T20	1 Pcs	
150	8073834	MICROSWITCH LIGHTING	1 Pcs	
154	33055088	RUBBER HOSE 10X15 UL4	1 Pcs	
154-a	8052189	HOSE CLIP RFZ 170-706R	2 Pcs	
161	8075388-Z-81	KICKPLATE FOR PLASTIC GREY MET	1 Pcs	



## Control panel and related parts

ASKO, D3531 XL US - SS BiH (DW20.4)

Pos	Spare part No.	Description	Qty	Comment
601	8076751-81-UL	PANEL ASKO 3530-353F GRAH UL4	1 Pcs	
603	8074990	DECOR PLATE ASKO 353T/FI GRAP	1 Pcs	
604	8074277	SPRING MAIN SWITCH	1 Pcs	
607	8801233	CONTROLUNIT COMPL DW204 USA	1 Pcs	
608	8073788	THERMISTOR UL4	1 Pcs	
608-a	8076839	SPACER THERMISTOR DW20	1 Pcs	
609	8073782	MAIN PUSH SWITCH	1 Pcs	
611	8075740	CABLESET DIVERTER VALVE	1 Pcs	
611	8075739	CABLESET HUMIDITY SENSOR	1 Pcs	
614	8075736	CABLE SET CIRCPUMP INLVALVE	1 Pcs	
618	8075738	CABLESET POWER	1 Pcs	
620	8075730	CABLE SET DOOR FAN-REED	1 Pcs	
621	8075732	CABLE SET FLOW PRESSURE TURB	1 Pcs	
622	8075731	CABLE SET DRAIN	1 Pcs	
629	8075078-81	PUSHBUTTON MAINSWITCH GRAPHIC	1 Pcs	
644	8073670	LOCK COMPLETE INTEGRERAD	1 Pcs	
645	8073666	HANDLE INTEGRATED LOCK	1 Pcs	
645-a	8072439	SCREW MC6S M5x45 88 FZB	2 Pcs	
651	8073836	MICROSWITCH DOOR	0 Pcs	
654	8075725-81	PUSHBUTTONS ASKO 353T/FI	1 Pcs	
690	8076144	INSTRUCTIONS D3531-353F US ENG	1 Pcs	
690	8076145	INSTRUCTIONS D3531-353F USA FR	1 Pcs	
690	8076146	INSTRUCTIONS D3531-353F USA ES	1 Pcs	

This document must not be copied without our written permission, and the contents thereof must not be imparted to a third party nor be used for any unauthorized purpose. ASKO CYLINDA AB

S:\UDw2011\_Tryckunderlag\Kopplingschema\8073809 Circuit diagram DW20.4\_c.dft , mail , 2002-06-18 08:34:08

