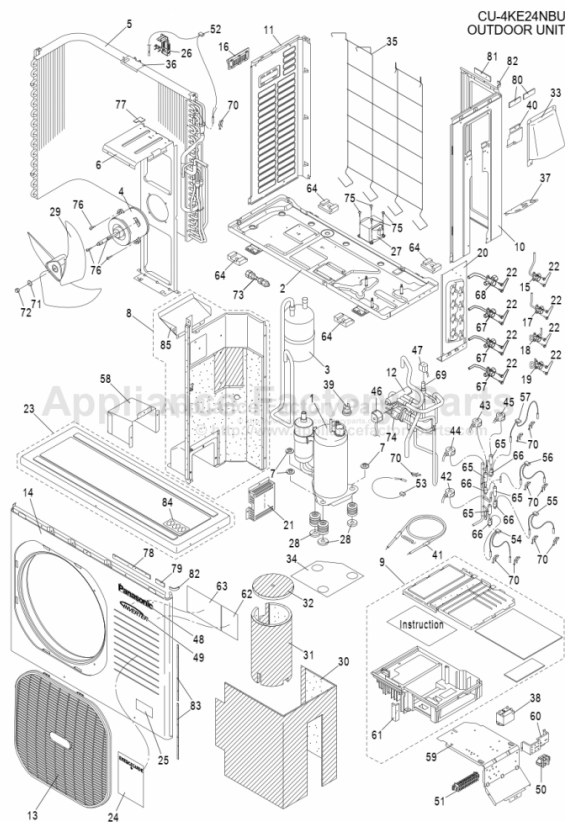


This Owner's Manual is provided and hosted by Appliance Factory Parts.



PANASONIC CU4KE24NBU Owner's Manual

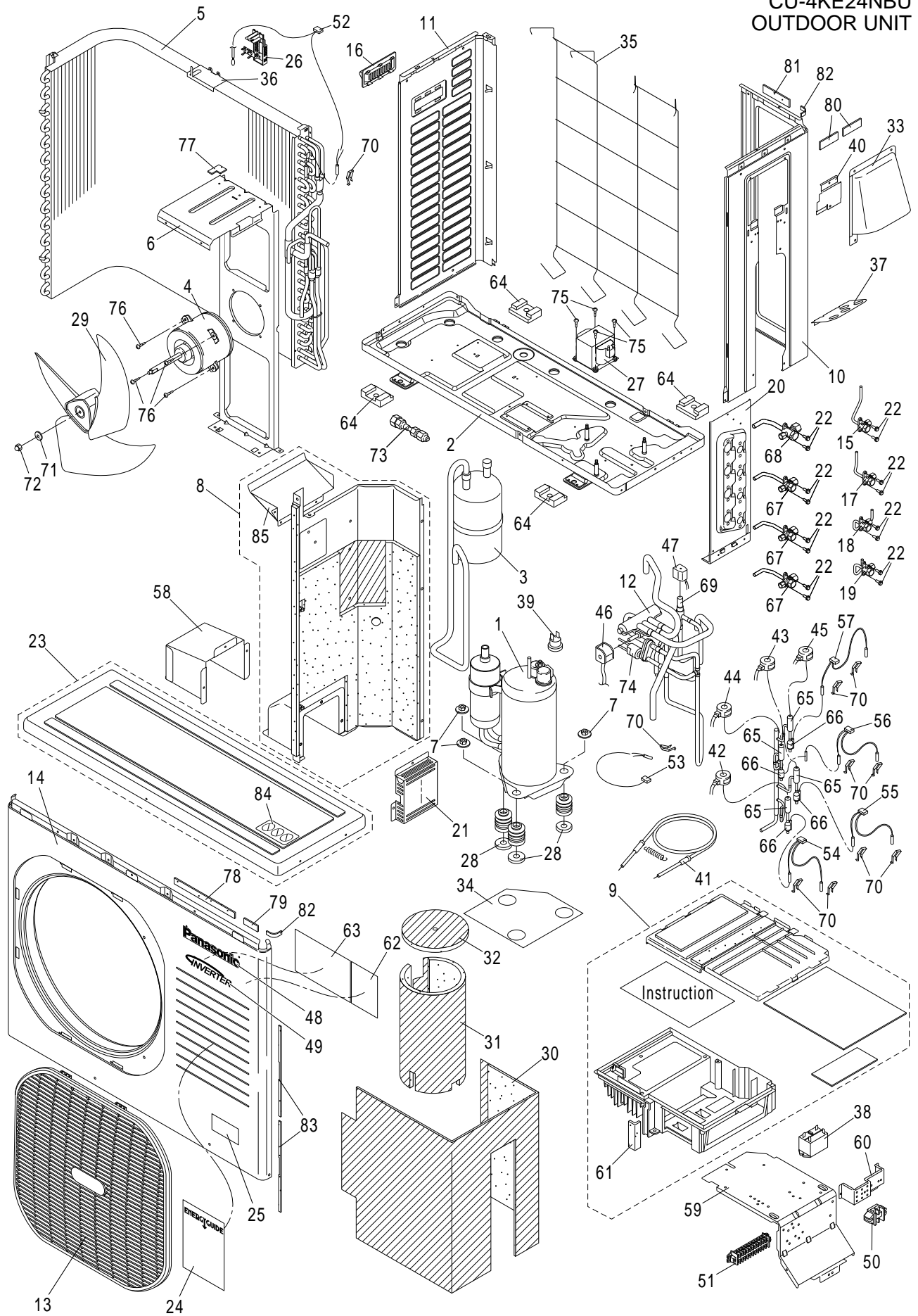
[Shop genuine replacement parts for PANASONIC
CU4KE24NBU](#)



[Find Your PANASONIC Air Conditioner Parts - Select From 287 Models](#)

----- Manual continues below -----

CU-4KE24NBU
OUTDOOR UNIT



ATTENTION!

To ensure correct parts supply, please let us know the following,

Part No. when you make service parts order:

1.Part No. 2.Description 3.Q'ty 4.Volts-Hz-Ph 5.Product Mode No.

CU-4KE24NBU
OUTDOOR UNIT

KeyNo.	Part No.	Description	Model Number	Q'ty	Reference No.	
*	1	CV6231924016	Comp Sub Ass'y	5KD240XAB21	1	8520452634100
	2	CV6233136516	Bottom Plate Ass'y		1	8520220279402
	3	CV6231924009	Accumulator Ass'y		1	8520451131400
*	4	CV6231915427	Fan Motor	SIC-71FW-D490-1	1	1FA4M4A010400
	5	CV6231923996	Heat Exch Cond Ass'y		1	8520411919100
	6	CV6231915403	Mounting Plate, Fan Motor		1	8522235431400
	7	CV6231938068	Nut Special		3	8522222615501
	8	CV6233188843	Partition Plate Ass'y		1	8520220953000
*	9	CV6233188959	Controller Assy(Including PCB)	CB-CU-4KE24NBU-SRV	1	8549953605959
	10	CV6233136264	Side Panel		1	8522111442301
	11	CV6233136257	Side Panel		1	8522111441302
*	12	CV6231917445	Solenoid Valve Ass'y	STF-02U2G	1	8520450922800
	13	CV6231917858	Guard		1	8522132124211
	14	CV6233136240	Front Panel		1	8522111824702
	15	CV6231924368	Valve Ass'y 1/4"		1	8520451543900
	16	CV6231917186	Handle		1	8522230317811
	17	CV6231924092	Valve Ass'y 1/4"		1	8520451544000
	18	CV6231924085	Valve Ass'y 1/4"		1	8520451544100
	19	CV6231924078	Valve Ass'y 1/4"		1	8520451544200
	20	CV6233136417	Support Valve		1	8522222238301
	21	CV6231917421	Cover Plate		1	8522531549101
	22	CV6233147437	S Tite Screw		16	3920461601
	23	CV6233188881	Top Plate Ass'y		1	8520110326200
	24	CV6233188966	Ftc Tag		1	8526445925600
	25	CV6231611497	Label		1	8542135895900
	26	CV6231719278	Mounting Thermostat		1	8522530324501
*	27	CV6231917902	Reactor	R9020A-TE-COV	1	1FA4L5C013500
	28	CV6231915618	Cushion Rubber		3	8522239030800
*	29	CV6233043500	Propeller Fan Ass'y		1	8520250218900
	30	CV6231924115	Insulation		1	8522247669300
	31	CV6231924108	Insulation		1	8522247671900
	32	CV6231915632	Insulation		1	8522247672000
	33	CV6233136318	Cover Ass'y		1	8520230925120
	34	CV6231915526	Sheet		1	8522532850000
	35	CV6231915557	Guard Ass'y		1	8520111123801
	36	CV6231915540	Mounting Plate		1	8522238515801
	37	CV6233136424	Conduit Plate		1	8522131944921
*	38	CV6231727730	Power Relay	EL200/240A1-F(M)	1	1FA4S2A010000
*	39	CV6233106328	Thermistor Ass'y	CS-7L-2515	1	8FA0515500700
	40	CV6233136295	Mounting Plate		1	8522238517802

NOTE: Metal and plastic parts will be supplied basically with necessary heat insulation pads or packing. Each key number with an asterisk (*) means the recommended service parts.

ATTENTION!

To ensure correct parts supply, please let us know the following,

Part No. when you make service parts order:

1.Part No. 2.Description 3.Q'ty 4.Volts-Hz-Ph 5.Product Mode No.

CU-4KE24NBU
OUTDOOR UNIT

KeyNo.	Part No.	Description	Model Number	Q'ty	Reference No.
* 41	CV6231932110	Heater K	SP4407Q-09	1	8FA0525503400
* 42	CV6231924184	Magnetic Coil	UKV-A014 5P A-MV	1	8FA0525115200
* 43	CV6231924177	Magnetic Coil	UKV-A006 5P B-MV	1	8FA0525115300
* 44	CV6231924160	Magnetic Coil	UKV-A007 5P C-MV	1	8FA0525115400
* 45	CV6231924399	Magnetic Coil	UKV-A008 5P D-MV	1	8FA0525115500
* 46	CV6231918046	Magnetic Coil	STF-01AQ503UA1	1	8FA0525114600
* 47	CV6231932103	Magnetic Coil	VPV-MOQAQ533UB1	1	8FA0525114700
48	CV6233172071	Badge		1	8542135433401
49	CV6233174174	Badge		1	8542135433301
* 50	CV6233188898	Terminal Base	JTU30-2U-SA0588	1	1FA4J3A048800
* 51	CV6231931953	Terminal Base	KTU15N-12J	1	1FA4J3A026600
* 52	CV6231924245	Thermistor Ass'y K	TKS292B/295B	1	8FA0525916700
* 53	CV6231924238	Thermistor Ass'y K	TKS293B	1	8FA0525916900
* 54	CV6231924221	Thermistor Ass'y K	TKS292B/292B	1	8FA0525917400
* 55	CV6231924214	Thermistor Ass'y K	TKS292B/292B	1	8FA0525917500
* 56	CV6231924207	Thermistor Ass'y K	TKS292B/292B	1	8FA0525917600
* 57	CV6231924412	Thermistor Ass'y K	TKS292B/292B	1	8FA0525917700
58	CV6233188904	Cover		1	8522251535501
59	CV6231917346	Mounting Plate		1	8522238515601
60	CV6231931915	Mounting Plate		1	8522238515701
61	CV6231917292	Packing		1	8522238098210
62	CV6231926119	Elec. Wiring Diagram	SELF DIAGNO	1	8FA2525768500
63	CV6233188973	Elec. Wiring Diagram		1	8FA2525111500
64	CV6230516519	Cushion Rubber		4	8522239019200
* 65	CV6231704267	Solenoid Control Valve	UKV-18D13	4	8542454815000
66	CV6231552424	Strainer Ass'y		4	8520450619500
67	CV6231955447	Valve Ass'y 3/8"		3	8520451827200
68	CV6231955454	Valve Ass'y 1/2"		1	8520452221400
* 69	CV6231932127	Solenoid Valve Ass'y	VPV-603DU	1	8520450923000
70	CV6231485876	Mounting Thermostat		10	8522530322401
71	CV6231947404	Washer Special		1	8522131810401
72	CV6380126705	Funa 6	SUS305-WSA	1	3927506010
73	CV6231740593	Tube Ass'y		1	8520420718100
* 74	CV6231958097	Pressure Switch	ACB-1UB42W	1	1FA4S1H008500
75	CV6231638074	Screw Special		4	8522239615401
76	CV6233136387	Screw Special		4	8522239622201
77	CV6233136356	Packing		1	8522252817310
78	CV6233136332	Packing		1	8522252819610
79	CV6233136349	Packing		1	8522252816510
80	CV6233136400	Packing		2	8522252816610

NOTE: Metal and plastic parts will be supplied basically with necessary heat insulation pads or packing. Each key number with an asterisk (*) means the recommended service parts.

ATTENTION!

To ensure correct parts supply, please let us know the following,

Part No. when you make service parts order:

CU-4KE24NBU
OUTDOOR UNIT

1.Part No. 2.Description 3.Q'ty 4.Volts-Hz-Ph 5.Product Mode No.

KeyNo.	Part No.	Description	Model Number	Q'ty	Reference No.
81	CV6233136394	Packing		1	8522252816710
82	CV6233136370	Packing		2	8522238093710
83	CV6233136363	Packing		2	8522238092810
84	CV6233188911	Caution Label		1	8546575944300
85	CV6233190785	Mounting Plate		1	8522238531801
	CV6233187860	Installation Instructions		1	8526419058300
	CV6233187846	Installation Instructions		1	8526419058500
	CV6233187853	Installation Instructions		1	8526419058400

NOTE: Metal and plastic parts will be supplied basically with necessary heat insulation pads or packing. Each key number with an asterisk (*) means the recommended service parts.