

This Owner's Manual is provided and hosted by [Appliance Factory Parts](http://www.appliancefactoryparts.com).



Kenmore 253.7041341B Owner's Manual

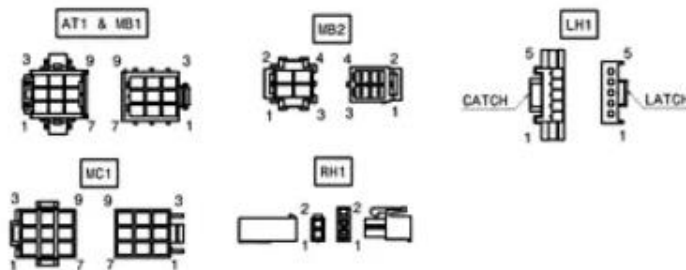
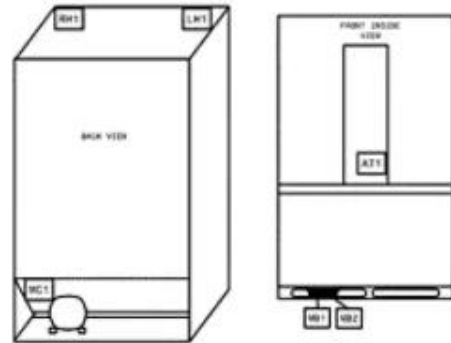
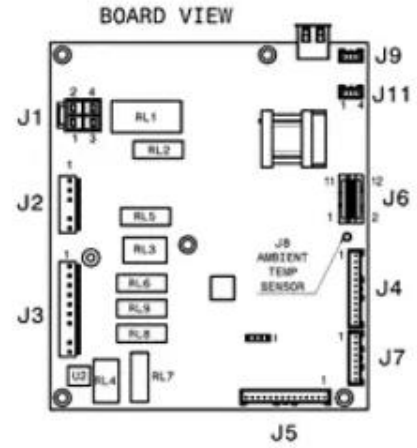
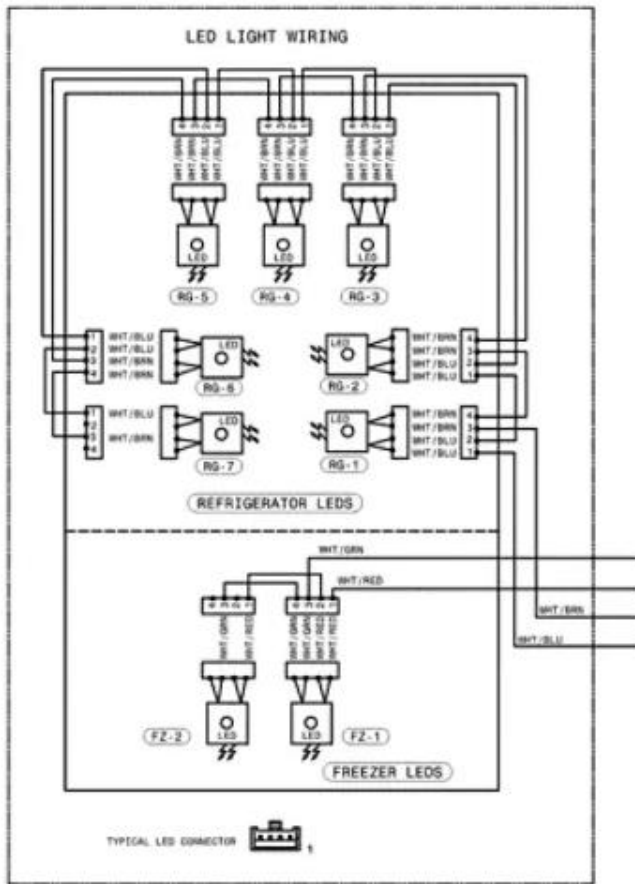
[Shop genuine replacement parts for Kenmore
253.7041341B](#)



[Find Your Kenmore Refrigerator Parts - Select From 665 Models](#)

----- Manual continues below -----

WIRING DIAGRAM



ABBR.	EXPLANATION
AT1	9 PIN CONNECTION AT AIR TOWER
LH1	5 PIN CONNECTION AT THE LEFT DOOR UPPER HINGE
MB1	9 PIN CONNECTION IN THE MAIN BOARD HOUSING BEHIND THE TOE GRILLE
MB2	4 PIN CONNECTION IN THE MAIN BOARD HOUSING BEHIND THE TOE GRILLE
MC1	9 PIN CONNECTION IN THE MACHINE COMPARTMENT TO THE LEFT OF THE COMPRESSOR
RH1	2 PIN CONNECTION AT THE RIGHT DOOR UPPER HINGE

