

This Owner's Manual is provided and hosted by [Appliance Factory Parts](#).



# TRANE 4TTR4060N1000A Owner's Manual

[Shop genuine replacement parts for TRANE  
4TTR4060N1000A](#)



[Find Your TRANE Air Conditioner Parts - Select From 400 Models](#)

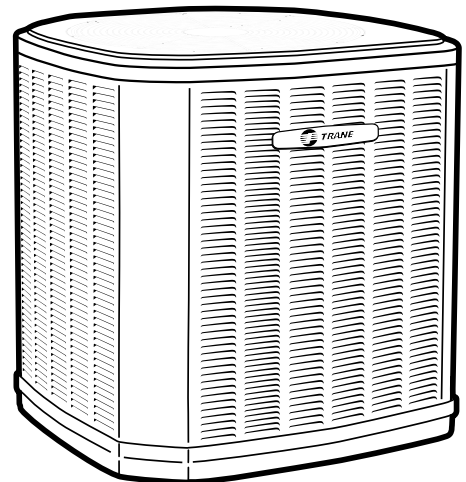
----- Manual continues below -----



# Product Data

## Split System Cooling

4TTR4018N1000A/B  
4TTR4019N1000A  
4TTR4024N1000A/B  
4TTR4025N1000A/B  
4TTR4030N1000A  
4TTR4036N1000A/B  
4TTR4042N1000A  
4TTR4048N1000A  
4TTR4049N1000A  
4TTR4060N1000A/B



*Note: "Graphics in this document are for representation only. Actual model may differ in appearance."*



# Product Specifications

Model No. <sup>(a)</sup>	4TTR4018N1000A/ 4TTR4018N1000B	4TTR4019N1000A	4TTR4024N1000A/ 4TTR4024N1000B
POWER CONNS. — V/PH/HZ <sup>(b)</sup>	208/230/1/60	208/230/1/60	208/230/1/60
MIN. BRCH. CIR. AMPACITY	13 / 14	12	13 / 14
BR. CIR. PROT. RTG. — MAX. (AMPS)	20 / 25	20	20 / 25
COMPRESSOR	CLIMATUFF® - SCROLL	CLIMATUFF® - SCROLL	CLIMATUFF® - SCROLL
RL AMPS — LR AMPS	10.1 — 52 / 10.9 — 62.9	9 — 47.5	10.1 — 52 / 10.9 — 62.9
Outdoor Fan FL AMPS	0.9	0.64	0.9
Fan HP	1/8	1/8	1/8
Fan Dia (inches)	18.9	23	18.9
Coil	SPINE FIN™	SPINE FIN™	SPINE FIN™
Refrigerant R-410A	4 LBS., 11 OZ	4 LBS., 15 OZ	4 LBS., 11 OZ
VALVE CONNECTION SIZE - IN. O.D. GAS	3/4	3/4	3/4
VALVE CONNECTION SIZE - IN. O.D. LIQ	3/8	3/8	3/8
LINE SIZE — IN. O.D. GAS <sup>(c)</sup>	3/4	3/4	3/4
LINE SIZE — IN. O.D. LIQ. <sup>(c)</sup>	3/8	3/8	3/8
Charge Spec. Subcooling	10°F	8°F	10°F
Dimensions H x W X D Crated (IN.)	30.1 x 26.7 x 30	34 x 30.1 x 33	30.1 x 26.7 x 30
Weight — Shipping (lbs.)	153	189	153
Weight — Net (lbs.)	133	161	133
<b>Optional Accessories:</b>			
Anti-short Cycle Timer	TAYASCT501A	TAYASCT501A	TAYASCT501A
Evaporator Defrost Control	AY28X079	AY28X079	AY28X079
Rubber Isolator Kit	BAYISLT101	BAYISLT101	BAYISLT101
Extreme Condition Mount Kit	BAYECMT023	BAYECMT023	BAYECMT023
Start Kit	BAYKSKT263	BAYKSKT263	BAYKSKT263
Crankcase Heater Kit	BAYCCHT302	BAYCCHT302	BAYCCHT302
Seacoast Kit	BAYSEAC001	BAYSEAC001	BAYSEAC001
Low Ambient Kit	BAYLOAM103	BAYLOAM103	BAYLOAM103
Service Valve Panel Cover	TAYSVPANL0022AA	TAYSVPANL0022AA	TAYSVPANL0022AA
Refrigerant Lineset <sup>(d)</sup>			

- <sup>(a)</sup> Certified in accordance with the Unitary Air-conditioner equipment certification program which is based on AHRI standard 210/240.
- <sup>(b)</sup> Calculated in accordance with N.E.C. Only use HACR circuit breakers or fuses.
- <sup>(c)</sup> Standard line lengths — 60', Standard lift — 60' Suction and Liquid line. For Greater lengths and lifts refer to refrigerant piping software Pub#32-3312-0\* (\* denotes latest revision).
- <sup>(d)</sup> 25, 30, 35 and 50 foot linesets available. For a complete listing of lineset options available from equipment or supply stores, refer to the Trane Residential and Light Commercial Product Handbook.

<b>Model No.</b> <sup>(a)</sup>	4TTR4025N1000A/ 4TTR4025N1000B	4TTR4030N1000A	4TTR4036N1000A/ 4TTR4036N1000B
POWER CONNS. — V/PH/HZ <sup>(b)</sup>	208/230/1/60	208/230/1/60	208/230/1/60
MIN. BRCH. CIR. AMPACITY	13 / 14	16	16 / 18
BR. CIR. PROT. RTG. — MAX. (AMPS)	20 / 25	25	25 / 30
COMPRESSOR	CLIMATUFF® - SCROLL	CLIMATUFF® - SCROLL	CLIMATUFF® - SCROLL
RL AMPS — LR AMPS	10.1 — 52 / 10.9 — 62.9	12.2 — 80.1	12.2 — 80.1 / 14.1 — 87.4
Outdoor Fan FL AMPS	0.64	0.77	0.77
Fan HP	1/8	1/8	1/8
Fan Dia (inches)	23	23	23
Coil	SPINE FIN™	SPINE FIN™	SPINE FIN™
Refrigerant R-410A	4 LBS., 11 OZ	5 LBS., 11 OZ	5 LBS., 11 OZ
VALVE CONNECTION SIZE - IN. O.D. GAS	3/4	3/4	3/4
VALVE CONNECTION SIZE - IN. O.D. LIQ	3/8	3/8	3/8
LINE SIZE — IN. O.D. GAS <sup>(c)</sup>	3/4	3/4	3/4
LINE SIZE — IN. O.D. LIQ. <sup>(c)</sup>	3/8	3/8	3/8
Charge Spec. Subcooling	8°F	10°F	10°F
Dimensions H x W X D Crated (IN.)	34 x 30.1 x 33	38 x 30.1 x 33	38 x 30.1 x 33
Weight — Shipping (lbs.)	190	183	183
Weight — Net (lbs.)	162	156	156
<b>Optional Accessories:</b>			
Anti-short Cycle Timer	TAYASCT501A	TAYASCT501A	TAYASCT501A
Evaporator Defrost Control	AY28X079	AY28X079	AY28X079
Rubber Isolator Kit	BAYISLT101	BAYISLT101	BAYISLT101
Extreme Condition Mount Kit	BAYECMT023	BAYECMT023	BAYECMT023
Start Kit	BAYKSKT263	BAYKSKT263	BAYKSKT263
Crankcase Heater Kit	BAYCCHT302	BAYCCHT302	BAYCCHT302
Seacoast Kit	BAYSEAC001	BAYSEAC001	BAYSEAC001
Low Ambient Kit	BAYLOAM103	BAYLOAM103	BAYLOAM103
Service Valve Panel Cover	TAYSVPANL0022AA	TAYSVPANL0032AA	TAYSVPANL3343AA
Refrigerant Lineset <sup>(d)</sup>			

<sup>(a)</sup> Certified in accordance with the Unitary Air-conditioner equipment certification program which is based on AHRI standard 210/240.

<sup>(b)</sup> Calculated in accordance with N.E.C. Only use HACR circuit breakers or fuses.

<sup>(c)</sup> Standard line lengths — 60', Standard lift — 60' Suction and Liquid line. For Greater lengths and lifts refer to refrigerant piping software Pub#32-3312-0\* (\* denotes latest revision).

<sup>(d)</sup> 25, 30, 35 and 50 foot linesets available. For a complete listing of lineset options available from equipment or supply stores, refer to the Trane Residential and Light Commercial Product Handbook.



## Product Specifications

Model No. <sup>(a)</sup>	4TTR4042N1000A	4TTR4048N1000A	4TTR4049N1000A	4TTR4060N1000A/ 4TTR4060N1000B
POWER CONNS. — V/PH/HZ <sup>(b)</sup>	208/230/1/60	208/230/1/60	208/230/1/60	208/230/1/60
MIN. BRCH. CIR. AMPACITY	20	24	24	28 / 34
BR. CIR. PROT. RTG. — MAX. (AMPS)	35	40	40	50 / 60
COMPRESSOR	CLIMATUFF® - SCROLL	CLIMATUFF® - SCROLL	CLIMATUFF® - SCROLL	CLIMATUFF® - SCROLL
RL AMPS — LR AMPS	15.4 — 92.1	18.5 — 124	18.5 — 124	21.9 — 118.7 / 26.3 — 140.6
Outdoor Fan FL AMPS	1.05	1.05	0.93	0.97
Fan HP	1/5	1/5	1/5	1/5
Fan Dia (inches)	27.5	27.5	27.5	27.5
Coil	SPINE FIN™	SPINE FIN™	SPINE FIN™	SPINE FIN™
Refrigerant R-410A	6 LBS., 6 OZ	5 LBS., 3 OZ	7 LBS., 2 OZ	9 LBS., 8 OZ
VALVE CONNECTION SIZE - IN. O.D. GAS	3/4	7/8	7/8	7/8
VALVE CONNECTION SIZE - IN. O.D. LIQ	3/8	3/8	3/8	3/8
LINE SIZE — IN. O.D. GAS <sup>(c)</sup>	7/8	7/8	7/8	1-1/8
LINE SIZE — IN. O.D. LIQ. <sup>(c)</sup>	3/8	3/8	3/8	3/8
Charge Spec. Subcooling	10°F	10°F	8°F	10°F
Dimensions H x W X D Crated (IN.)	42 x 35.1 x 38.7	34.4 x 35.1 x 38.7	50.4 x 35.1 x 38.7	50.4 x 35.1 x 38.7
Weight — Shipping (lbs.)	246	212	306	302
Weight — Net (lbs.)	212	189	256	277
<b>Optional Accessories:</b>				
Anti-short Cycle Timer	TAYASCT501A	TAYASCT501A	TAYASCT501A	TAYASCT501A
Evaporator Defrost Control	AY28X079	AY28X079	AY28X079	AY28X079
Rubber Isolator Kit	BAYISLT101	BAYISLT101	BAYISLT101	BAYISLT101
Extreme Condition Mount Kit	BAYECMT004	BAYECMT004	BAYECMT004	BAYECMT004
Start Kit	BAYKSKT263	BAYKSKT263	BAYKSKT263	BAYKSKT263
Crankcase Heater Kit	BAYCCHT301	BAYCCHT301	BAYCCHT301	BAYCCHT301
Seacoast Kit	BAYSEAC001	BAYSEAC001	BAYSEAC001	BAYSEAC001
Low Ambient Kit	BAYLOAM103	BAYLOAM103	BAYLOAM103	BAYLOAM103
Service Valve Panel Cover			TAYSVPANL0044AA	TAYSVPANL0044AA
Refrigerant Lineset <sup>(d)</sup>				

<sup>(a)</sup> Certified in accordance with the Unitary Air-conditioner equipment certification program which is based on AHRI standard 210/240.

<sup>(b)</sup> Calculated in accordance with N.E.C. Only use HACR circuit breakers or fuses.

<sup>(c)</sup> Standard line lengths — 60', Standard lift — 60' Suction and Liquid line. For Greater lengths and lifts refer to refrigerant piping software Pub#32-3312-0\* (\* denotes latest revision).

<sup>(d)</sup> 25, 30, 35 and 50 foot linesets available. For a complete listing of lineset options available from equipment or supply stores, refer to the Trane Residential and Light Commercial Product Handbook.

## Sound Power Level

Sound Power Level									
MODEL	A-Weighted Sound Power Level [dB(A)]	Full Octave Sound Power(dB)							
		63 Hz*	125 Hz	250 Hz	500 Hz	1000 Hz	2000 Hz	4000 Hz	8000 Hz
4TTR4018N1	71	74	71	65	68	67	63	56	50
4TTR4019N1	73	79	69	67	70	70	64	59	53
4TTR4024N1	71	74	71	65	68	67	63	56	50
4TTR4025N1	73	79	69	67	70	70	64	59	53
4TTR4030N1	71	78	72	69	68	66	61	58	53
4TTR4036N1	71	78	72	69	68	66	61	58	53
4TTR4042N1	72	81	75	71	70	68	63	58	53
4TTR4048N1	71	81	72	69	69	66	60	57	54
4TTR4049N1	72	81	75	71	70	68	63	58	53
4TTR4060N1	72	81	75	71	70	68	63	58	53

Note: Rated in accordance with AHRI Standard 270-2008 \*For Reference Only



# Accessory Description and Usage

**Anti-Short Cycle Timer** — Solid state timing device that prevents compressor recycling until five (5) minutes have elapsed after satisfying call or power interruptions. Use in area with questionable power delivery, commercial applications, long lineset, etc.

**Evaporation Defrost Control** — SPST Temperature actuated switch that cycles the condenser off as indoor coil reaches freeze-up conditions. Used for low ambient cooling to 30°F with TXV.

**Rubber Isolators** — Five (5) large rubber donuts to isolate condensing unit from transmitting energy into mounting frame or pad. Use on any application where sound transmission needs to be minimized.

**Hard Start Kit** — Start capacitor and relay to assist compressor motor startup. Use in areas with marginal power supply, on long linesets, low ambient conditions, etc.

**Extreme Condition Mount Kit** — Bracket kits to securely mount condensing unit to a frame or pad without removing any panels. Use in areas with high winds, or on commercial roof tops, etc.

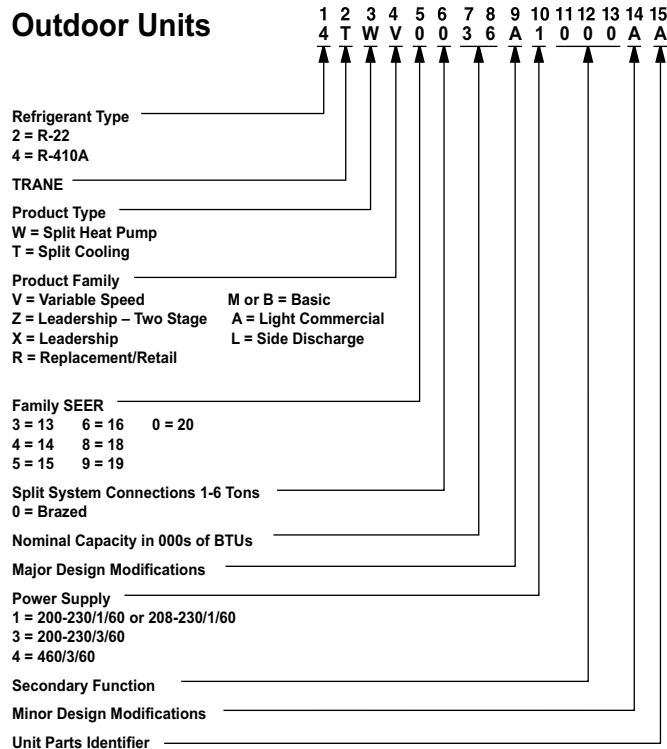
## AHRI Standard Capacity Rating Conditions

AHRI Standard 210/240 Rating Conditions

1. Cooling 80°F DB, 67°F WB air entering indoor coil, 95°F DB air entering outdoor coil.
2. High Temperature Heating 47°F DB, 43°F WB air entering outdoor coil, 70°F DB air entering indoor coil.
3. Low Temperature Heating 17°F DB air entering indoor coil.
4. Rated indoor airflow for heating is the same as for cooling.

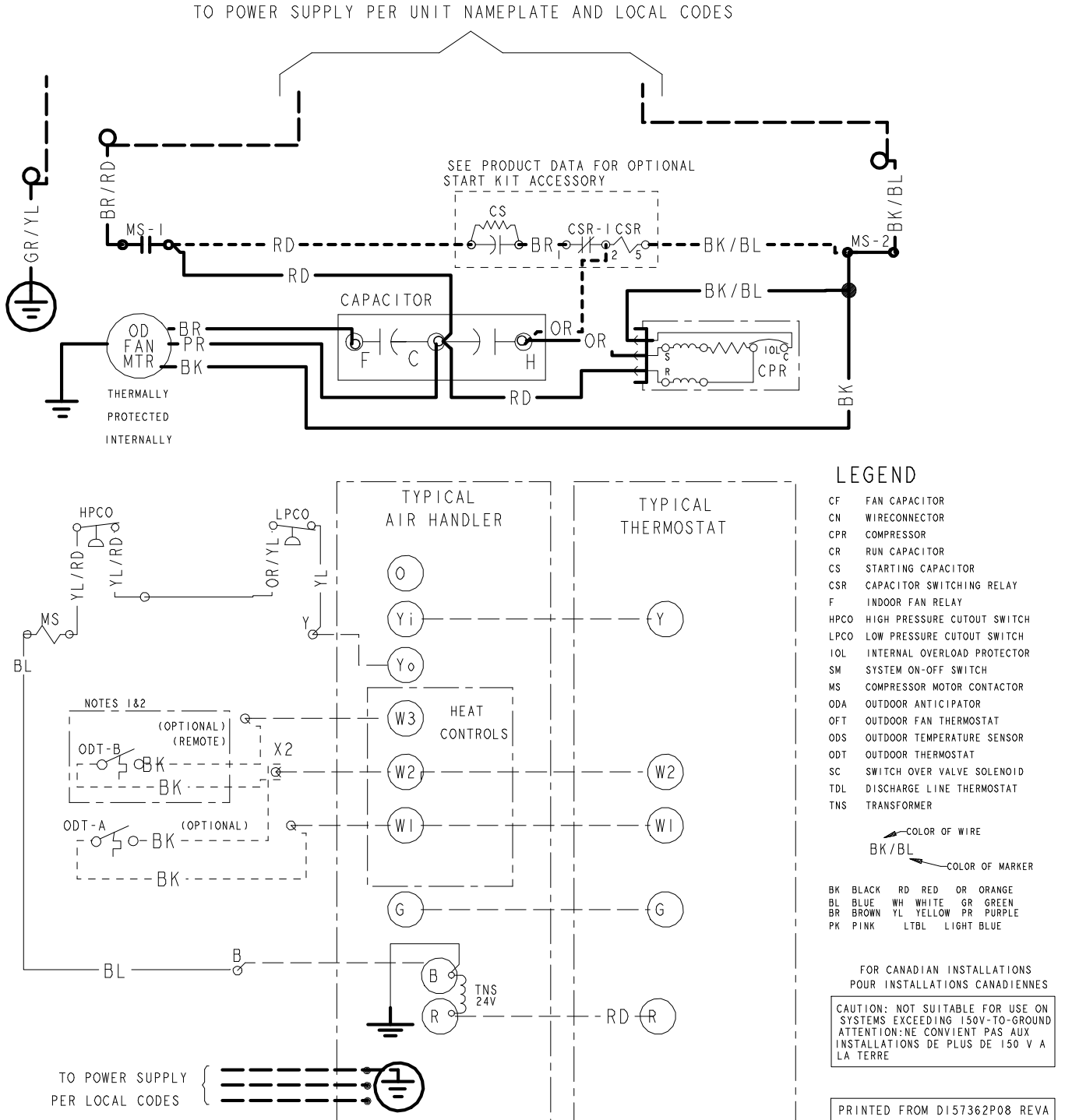
**AHRI Standard 270 Rating Conditions** — (Noise rating numbers are determined with the unit in cooling operations.) Standard Noise Rating number is at 95°F outdoor air.

## Model Nomenclature



# Schematic Diagrams

Figure 1. 018N, 019N, 024N, 025N, 042N & 049N Models





**Figure 2. 018N, 019N, 024N, 025N, 042N & 049N Models**

**NOTES:**

- IF ODT-B IS NOT USED. ADD JUMPER BETWEEN W2 & W3 AT AIR HANDLER. IF USED, ODT-B MUST BE MOUNTED REMOTE OF CONTROL BOX IN AN APPROVED WEATHER PROOF ENCLOSURE.
- IF ODT-A IS NOT USED. ADD JUMPER BETWEEN W1 & W2 AT AIR HANDLER.
- LOW VOLTAGE (24 V) FIELD WIRING MUST BE 18 AWG MIN.

**LEGEND**

- 24 V FACTORY LINE WIRING
- 24 V FIELD LINE WIRING
- FIELD INSTALLED FACTORY WIRING
- MAGNETIC COIL
- GROUND
- JUNCTION
- CAPACITOR
- WIRE NUT OR TERMINAL
- TRANSFORMER
- FUSE
- TERMINAL BLOCK/BOARD
- RELAY CONTACT (N.O.)
- RELAY CONTACT (N.C.)
- THERMISTOR
- TEMP ACTUATED SWITCH
- INTERNAL OVERLOAD PROTECTION
- PRESSURE ACTUATED SWITCH
- RESISTOR OR HEATING ELEMENT
- MOTOR WINDING
- POL. PLUG FEMALE HOUSING (MALE TERMINALS)
- POL. PLUG MALE HOUSING (FEMALE TERMINALS)

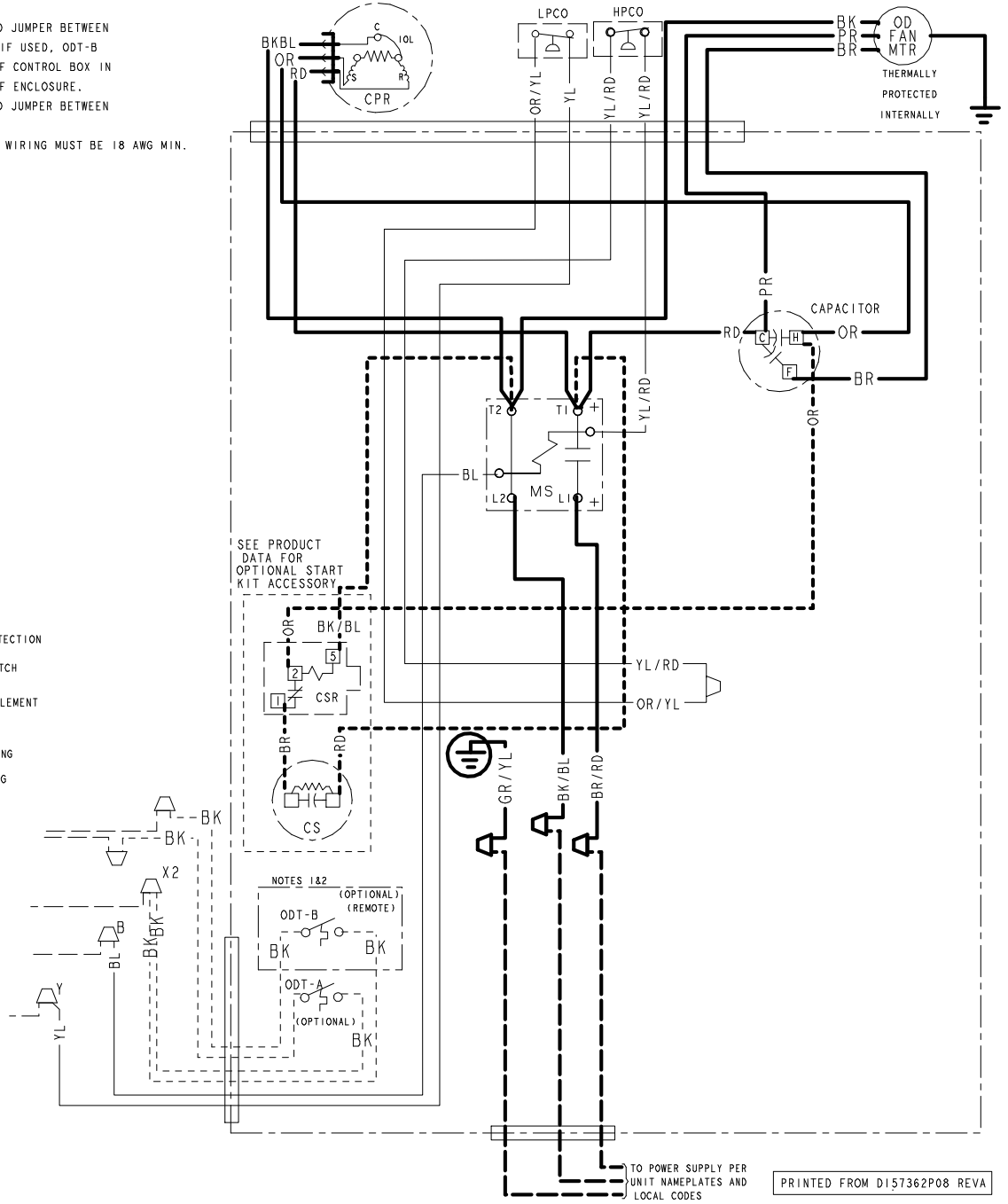
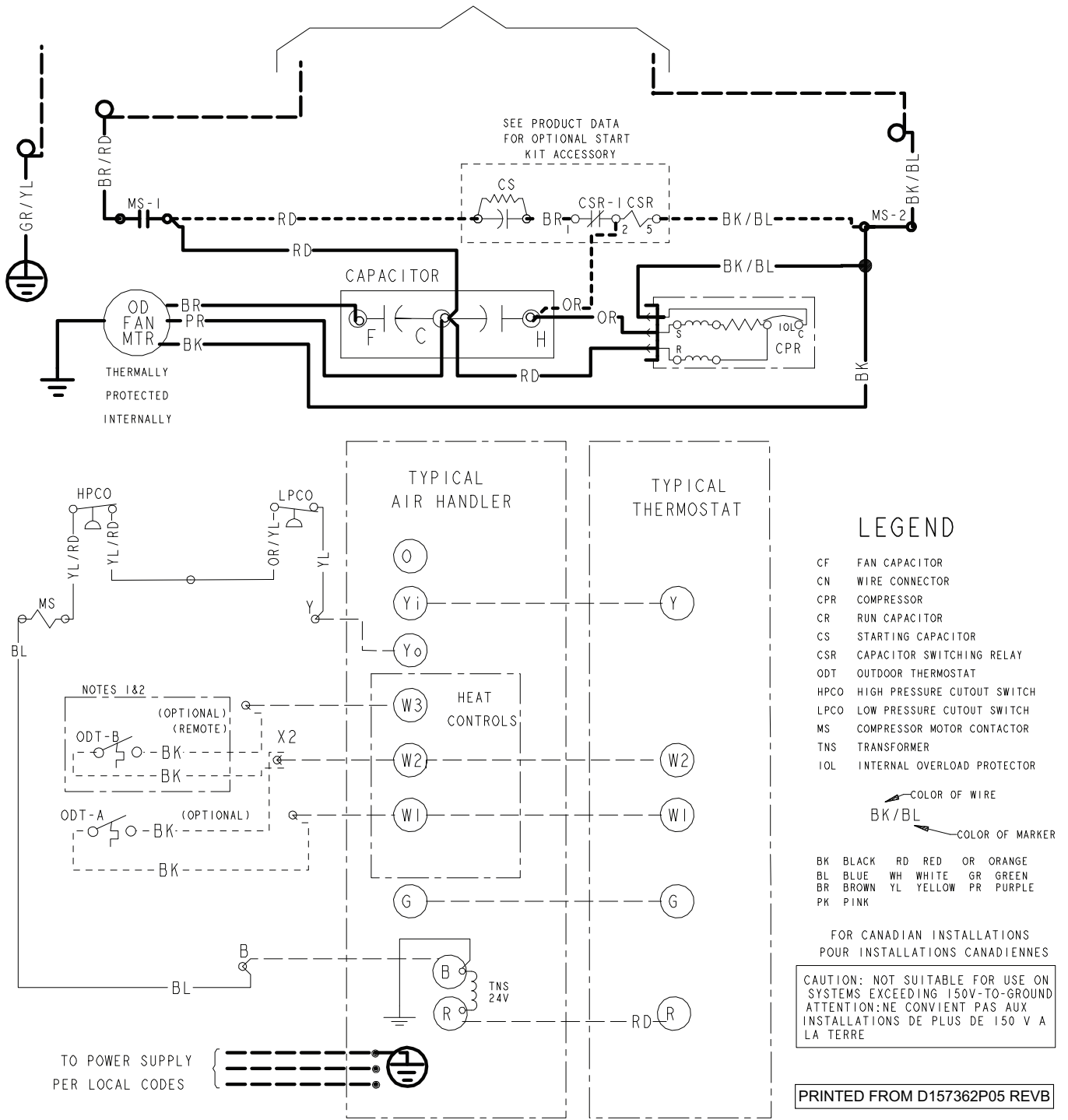


Figure 3. 030N, 036N & 048N Models

TO POWER SUPPLY PER UNIT NAMEPLATE AND LOCAL CODES



**Figure 4. 030N, 036N & 048N Models**

- NOTES:**
1. IF ODT-B IS NOT USED, ADD JUMPER BETWEEN W2 & W3 AT AIR HANDLER. IF USED, ODT-B MUST BE MOUNTED REMOTE OF CONTROL BOX IN AN APPROVED WEATHER PROOF ENCLOSURE.
  2. IF ODT-A IS NOT USED, ADD JUMPER BETWEEN W1 & W2 AT AIR HANDLER.
  3. LOW VOLTAGE (24 V) FIELD WIRING MUST BE 18 AWG MINIMUM.
  4. USE COPPER CONDUCTORS ONLY!

### LEGEND

	24 V LINE V } FACTORY WIRING		RELAY CONTACT (N.O.)
	24 V LINE V } FIELD WIRING		RELAY CONTACT (N.C.)
	FIELD INSTALLED FACTORY WIRING		THERMISTOR
	MAGNETIC COIL		TEMP ACTUATED SWITCH
	GROUND		INTERNAL OVERLOAD PROTECTION
	CAPACITOR		PRESSURE ACTUATED SWITCH
	WIRE NUT OR TERMINAL		RESISTOR OR HEATING ELEMENT
	TRANSFORMER		MOTOR WINDINGS
	TERMINAL BLOCK/BOARD		POL. PLUG FEMALE HOUSING (MALE TERMINALS)
			POL. PLUG MALE HOUSING (FEMALE TERMINALS)

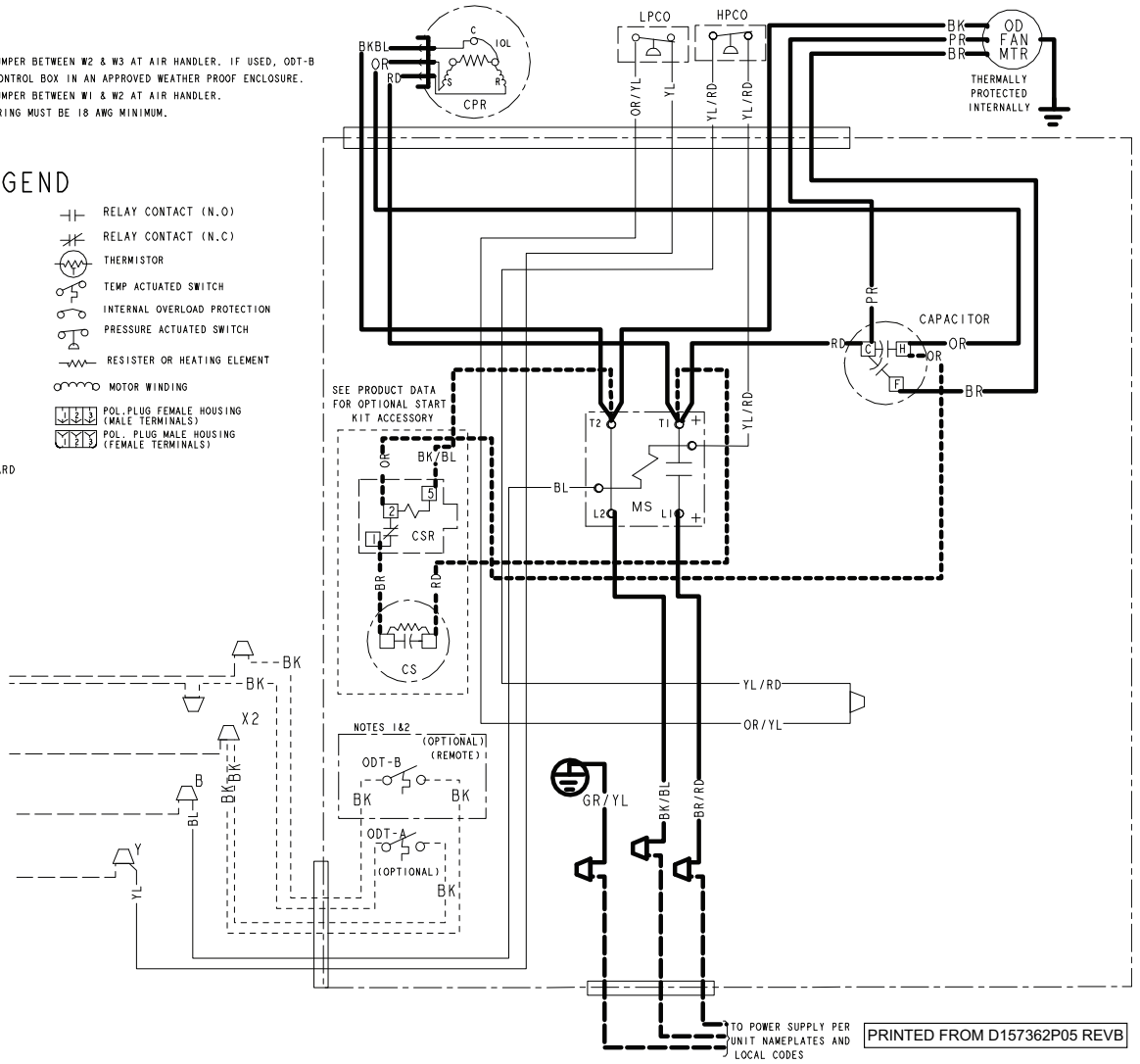


Figure 5. 060N Models

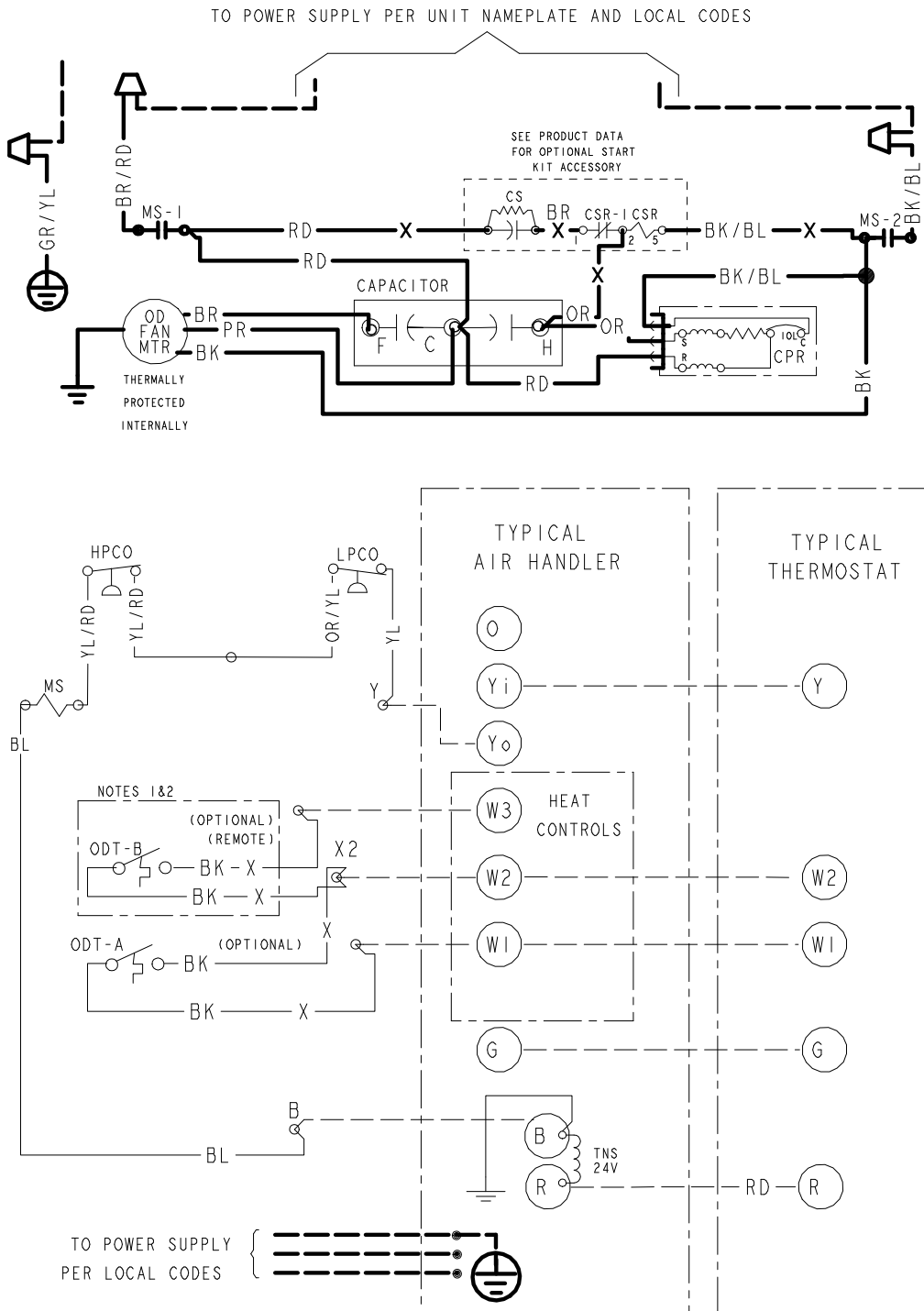


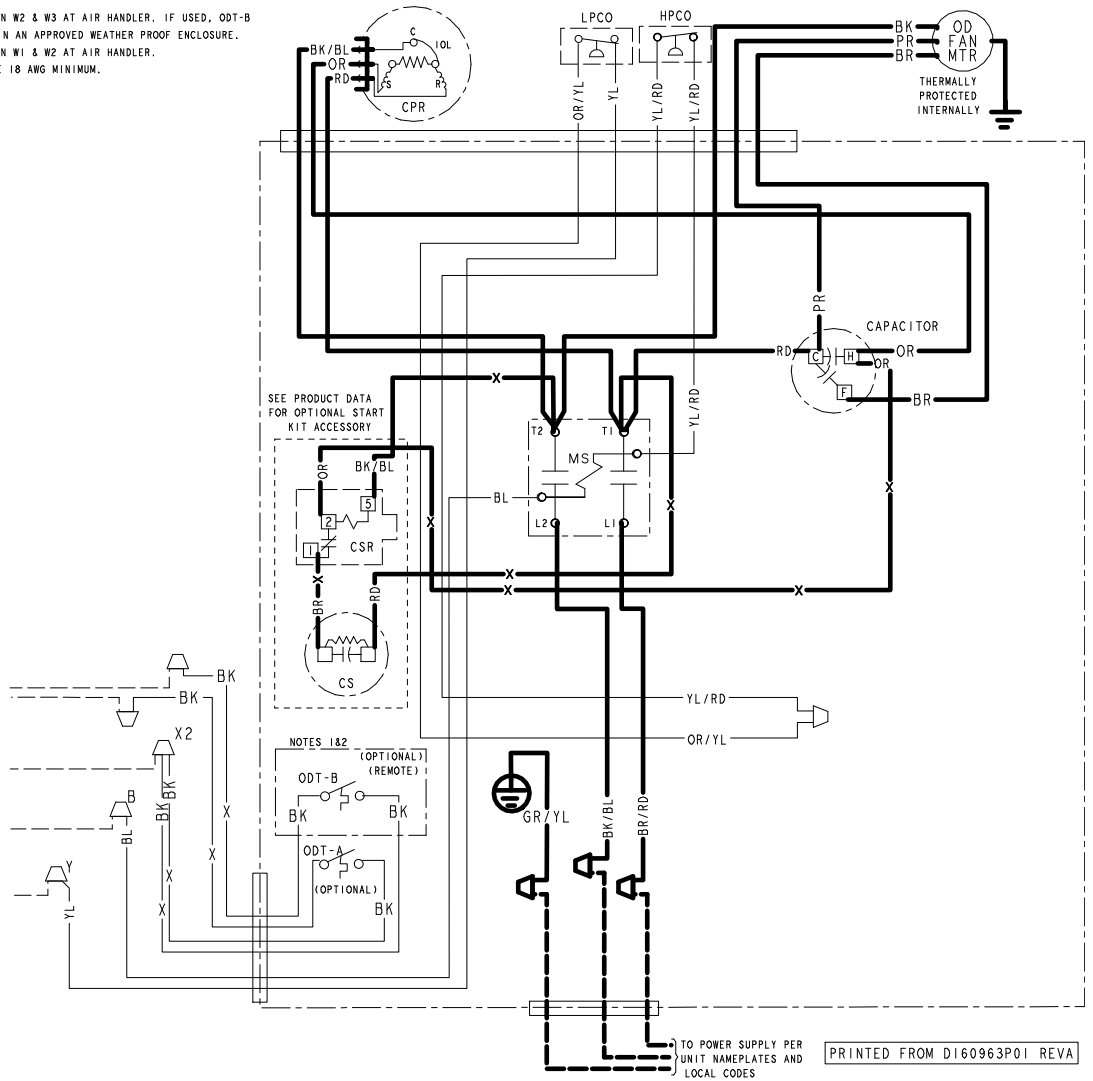
Figure 6. 060N Models

NOTES:

1. IF ODT-B IS NOT USED, ADD JUMPER BETWEEN W2 & W3 AT AIR HANDLER. IF USED, ODT-B MUST BE MOUNTED REMOTE OF CONTROL BOX IN AN APPROVED WEATHER PROOF ENCLOSURE.
2. IF ODT-A IS NOT USED, ADD JUMPER BETWEEN W1 & W2 AT AIR HANDLER.
3. LOW VOLTAGE (24 V) FIELD WIRING MUST BE 18 AWG MINIMUM.
4. USE COPPER CONDUCTORS ONLY!

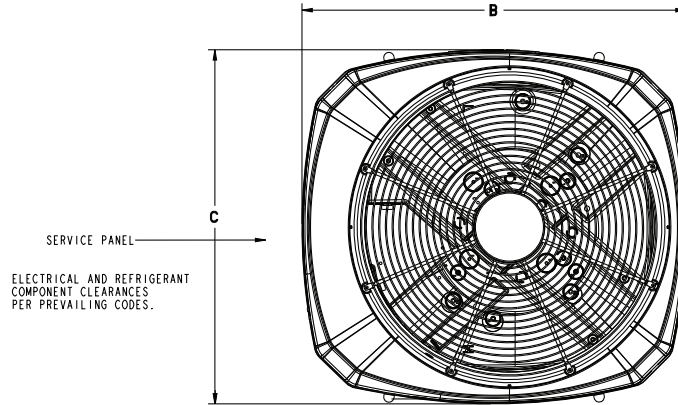
LEGEND

- 24 V LINE WIRING (FACTORY)
- 24 V LINE WIRING (FIELD)
- 24 V LINE WIRING (FIELD INSTALLED)
- 24 V LINE WIRING (FACTORY)
- MAGNETIC COIL
- GROUND
- JUNCTION
- CAPACITOR
- WIRE NUT OR CONNECTOR
- TERMINAL
- TRANSFORMER
- TERMINAL BLOCK/BOARD
- RELAY CONTACT (N.O.)
- RELAY CONTACT (N.C.)
- THERMISTOR
- TEMP ACTUATED SWITCH
- INTERNAL OVERLOAD PROTECTION
- PRESSURE ACTUATED SWITCH
- RESISTOR OR HEATING ELEMENT
- MOTOR WINDING
- POL. PLUG FEMALE HOUSING (MALE TERMINALS)
- POL. PLUG MALE HOUSING (FEMALE TERMINALS)

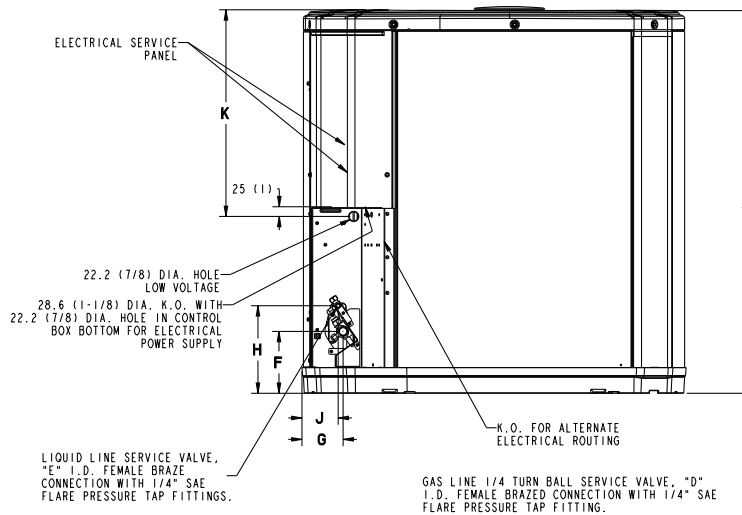




# Outline Drawing



TOP DISCHARGE AREA SHOULD BE UNRESTRICTED FOR AT LEAST 1524 (5 FEET) ABOVE UNIT. UNIT SHOULD BE PLACED SO ROOF RUN-OFF WATER DOES NOT POUR DIRECTLY ON UNIT, AND SHOULD BE AT LEAST 305 (12") FROM WALL AND ALL SURROUNDING SHRUBBERY ON TWO SIDES. OTHER TWO SIDES UNRESTRICTED.



Model	Base	A	B	C	D	E	F	G	H	J	K
4TTR4018N	2	730 (28-3/4)	724 (28-1/2)	651 (25-5/8)	3/4	3/8	127 (5)	57 (2-1/4)	194 (7-5/8)	38 (1-1/2)	457 (18)
4TTR4019N	3	730 (28-3/4)	829 (32-5/8)	756 (29-3/4)	3/4	3/8	127 (5)	76 (3)	197 (7-3/4)	60 (2-3/8)	508 (20)
4TTR4024N	2	730 (28-3/4)	724 (28-1/2)	651 (25-5/8)	3/4	3/8	127 (5)	57 (2-1/4)	194 (7-5/8)	38 (1-1/2)	457 (18)
4TTR4025N	3	730 (28-3/4)	829 (32-5/8)	756 (29-3/4)	3/4	3/8	127 (5)	76 (3)	197 (7-3/4)	60 (2-3/8)	508 (20)
4TTR4030N	3	832 (32-3/4)	829 (32-5/8)	756 (29-3/4)	3/4	3/8	127 (5)	76 (3)	197 (7-3/4)	60 (2-3/8)	508 (20)
4TTR4036N	3	832 (32-3/4)	829 (32-5/8)	756 (29-3/4)	3/4	3/8	127 (5)	76 (3)	197 (7-3/4)	60 (2-3/8)	508 (20)
4TTR4042N	4	943 (37-1/8)	946 (37-1/4)	870 (34-1/4)	3/4	3/8	143 (5-5/8)	98 (3-7/8)	219 (8-5/8)	86 (3-3/8)	508 (20)
4TTR4048N	4	741 (29-1/8)	946 (37-1/4)	870 (34-1/4)	7/8	3/8	143 (5-5/8)	83 (3-1/4)	206 (8-1/8)	70 (2-3/4)	508 (20)
4TTR4049N	4	1147 (45-1/8)	946 (37-1/4)	870 (34-1/4)	7/8	3/8	152 (6)	98 (3-7/8)	219 (8-5/8)	86 (3-3/8)	508 (20)
4TTR4060N	4	1147 (45-1/8)	946 (37-1/4)	870 (34-1/4)	7/8	3/8	152 (6)	98 (3-7/8)	219 (8-5/8)	86 (3-3/8)	508 (20)



# Mechanical Specification Options

## General

The outdoor condensing units are factory charged with the system charge required for the outdoor condensing unit, ten (10) feet of tested connecting line, and the smallest rated indoor evaporative coil match. This unit is designed to operate at outdoor ambient temperatures as high as 115°F. Cooling capacities are matched with a wide selection of air handlers and furnace coils that are AHRI certified. The unit is certified to UL 1995. Exterior is designed for outdoor application.

## Casing

Unit casing is constructed of heavy gauge, galvanized steel and painted with a weather-resistant powder paint finish. The corner panels are prepainted. All panels are subjected to our 1,000 hour salt spray test.

## Refrigerant Controls

Refrigeration system controls include condenser fan, compressor contactor and low and high pressure switches. A factory supplied, field installed liquid line drier is standard.

## Compressor

The compressor features internal over temperature and pressure protection. Other features include: Centrifugal oil pump and low vibration and noise.

## Condenser Coil

The outdoor coil provides low airflow resistance and efficient heat transfer. The coil is protected on all four sides by louvered panels.

## Low Ambient Cooling

As manufactured, this system has a cooling capacity to 55°F. The addition of an evaporator defrost control permits operation to 40°F. The addition of an evaporator defrost control with TXV permits low ambient cooling to 30°F.

The addition of the BAYLOAM107A low ambient kit permits ambient cooling to 20°F.

**Thermostats** – Cooling only and heat/cooling (manual and automatic change over). Sub-base to match thermostat and locking thermostat cover.







Trane - by Trane Technologies (NYSE: TT), a global innovator - creates comfortable, energy efficient indoor environments for commercial and residential applications. For more information, please visit [trane.com](http://trane.com) or [tranetechnologies.com](http://tranetechnologies.com).

---



The AHRI Certified mark indicates Trane U.S. Inc. participation in the AHRI Certification program. For verification of individual certified products, go to [ahridirectory.org](http://ahridirectory.org).

Trane has a policy of continuous data improvement and it reserves the right to change design and specifications without notice. We are committed to using environmentally conscious print practices.

22-1904-1V-EN 06 Jan 2023  
Supersedes 22-1904-1U-EN (October 2022)

©2023 Trane