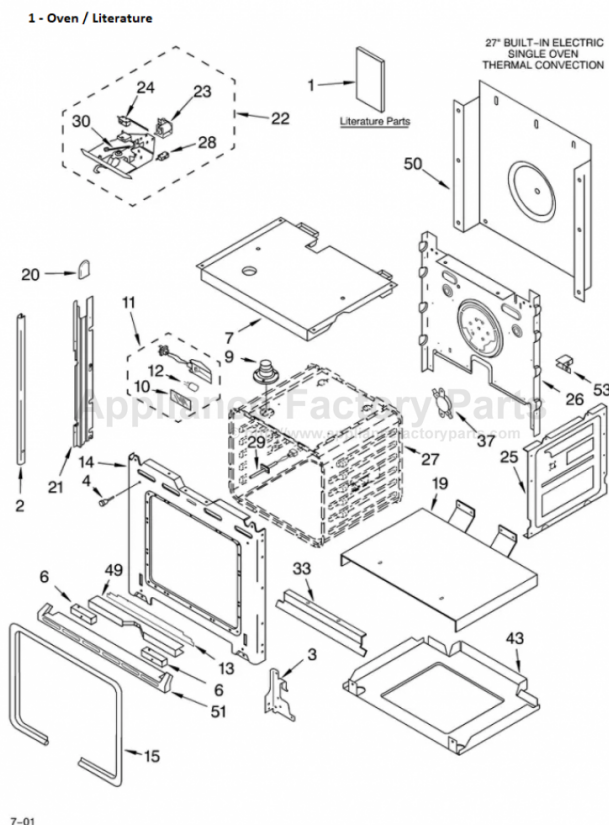


This Owner's Manual is provided and hosted by [Appliance Factory Parts](#).



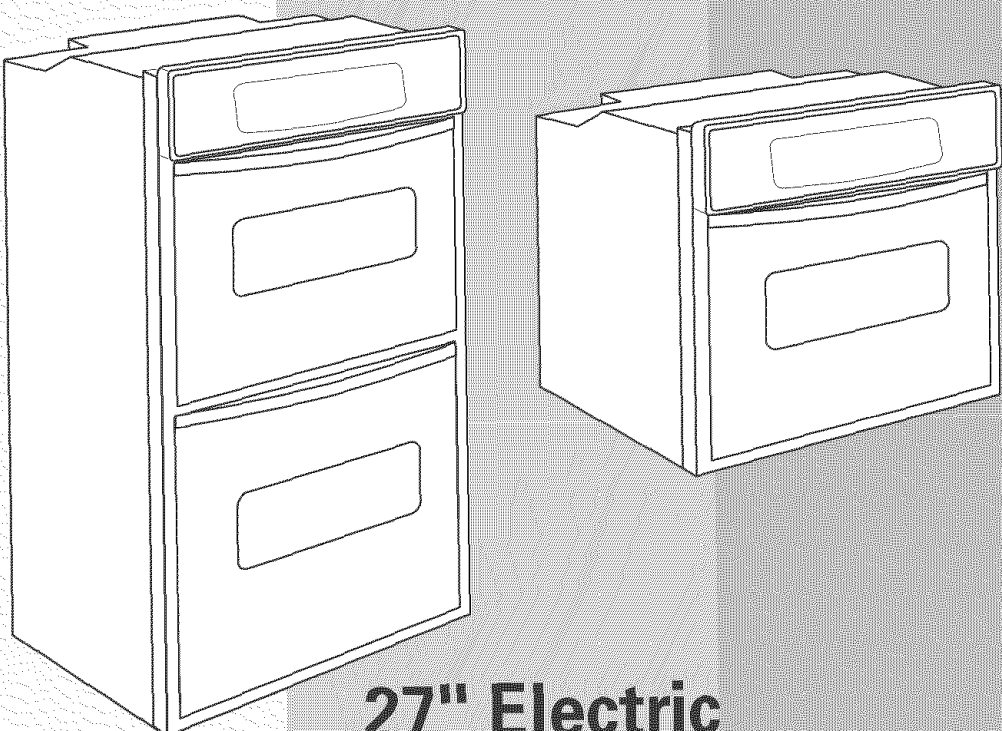
# KITCHENAID KEBC177KBT0 Owner's Manual

[Shop genuine replacement parts for KITCHENAID  
KEBC177KBT0](#)



[Find Your KITCHENAID Oven Parts - Select From 12 Models](#)

----- Manual continues below -----



# 27" Electric Built-in Single and Double Ovens

## Quick Reference

### Table of Contents:

#### Pages

- 1** Product dimensions
- 1** Cutout dimensions
- 1** Before you start
- 2** Electrical requirements
- 2** **3** Installation steps

### If you need assistance:

Check your Use and Care Guide for a toll-free number to call the dealer from whom you purchased the oven. The dealer is listed in the Yellow Pages of your phone book under "Appliances — Household — Major — Sales."

#### Call when you:

- Have questions about built-in oven installation
- Need to obtain the name and number of the dealer or company.

#### When you call, you will need:

- The built-in oven model number.
- The built-in oven serial number.

Both numbers are listed on the model/serial number label on the oven door or on the oven frame.

## IMPORTANT:

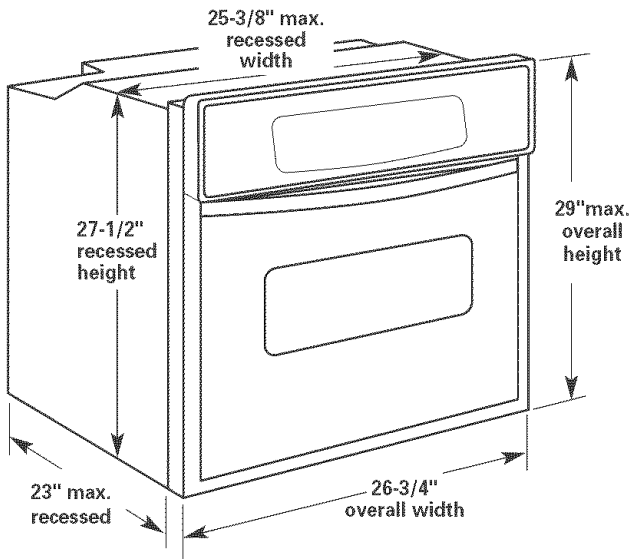
Read and follow the instructions.

## IMPORTANT:

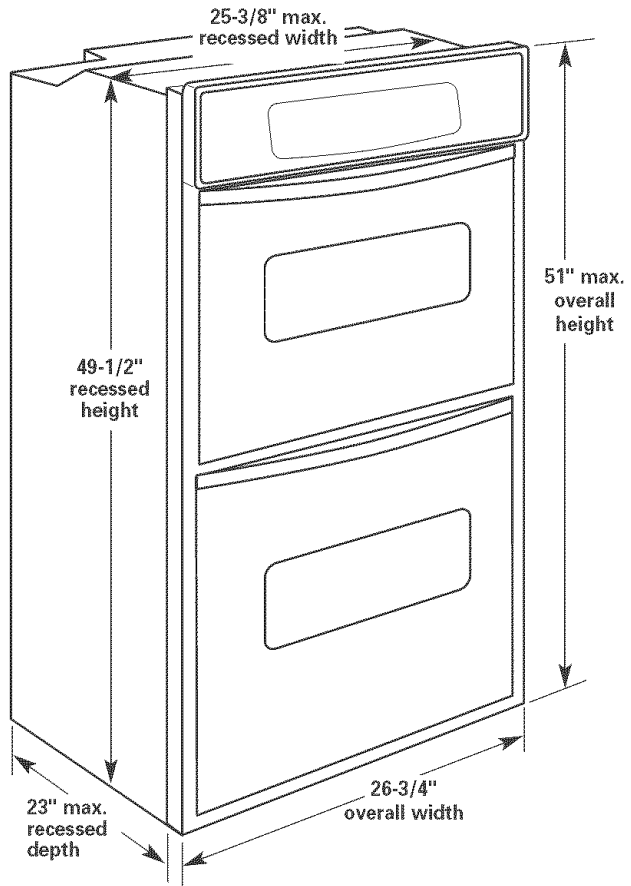
**Installer:** Leave Installation Instructions with the oven.  
**Homeowner:** Keep Installation Instructions in a safe place.

# Product dimensions

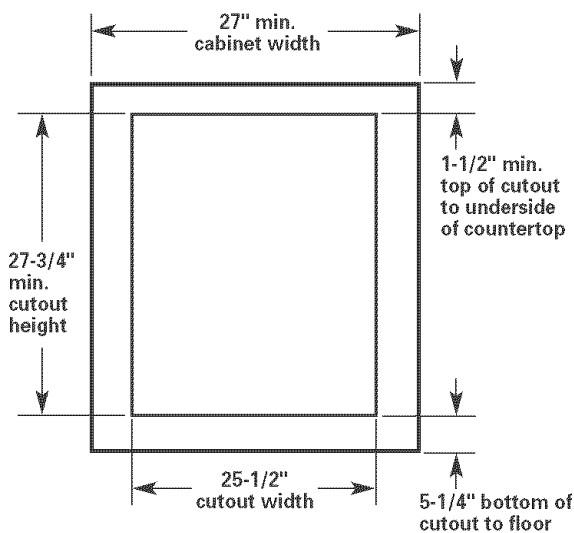
## Single oven



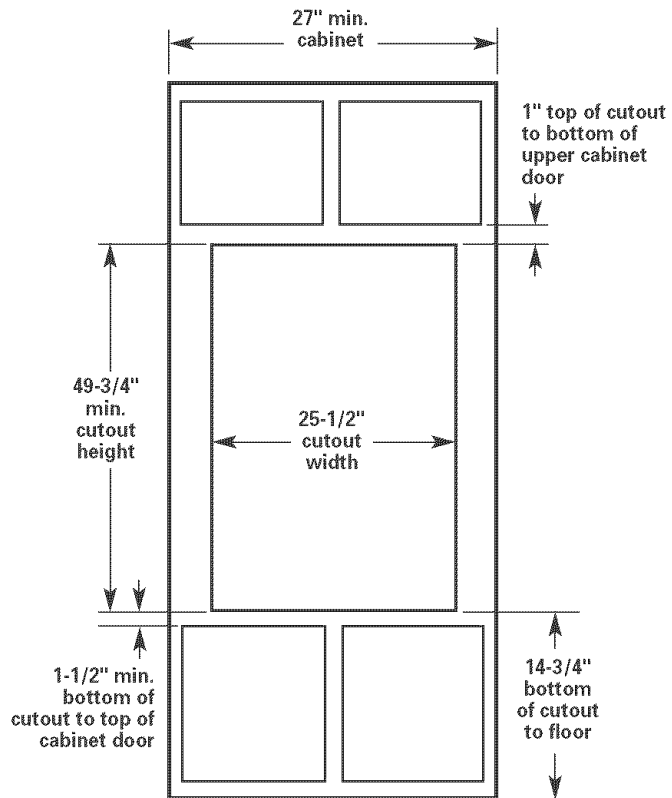
## Double oven



# Cutout dimensions



Single oven undercounter (without cooktop installed above)



Double oven

Be

You

We have p  
messages  
Always re



All safety  
symbol an  
"WARNIN

You can b  
immediat

You can b  
follow ins

All safety  
hazard is,  
injury, and  
instruction

Importan  
and ordin

Proper ins  
Have a qu

Oven loca  
areas, suc  
heating ve

Cabinet op  
must be u  
minimum

Recessed  
complete  
of the ove

Electrical  
requireme

Electrical  
3 inches m

when ove  
1-inch min

or left rear  
the applia

For underc  
that the ju

right or left  
on rear wa

recessed a  
or left cor

Oven supp  
flush with

It is the cu

To contac

To assure  
adequate

Electrical  
and all loc

Copies of the

\* National F

# Electrical requirements

If codes permit and a separate grounding wire is used, it is recommended that a qualified electrician determine that the grounding path and wire gauge are in accordance with local codes.

Do Not ground to a gas pipe.

Check with a qualified electrician if you are not sure oven is properly grounded.

Do Not have a fuse in the neutral or grounding circuit.

Oven **must** be connected to the proper electrical voltage and frequency as specified on the model/serial rating plate. (The model/serial rating plate is located on the oven door or on the oven frame.)

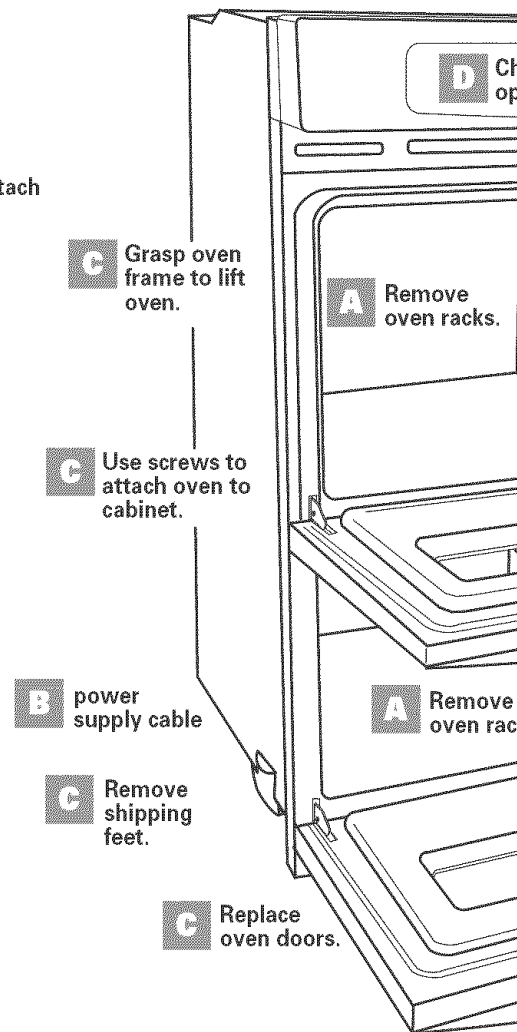
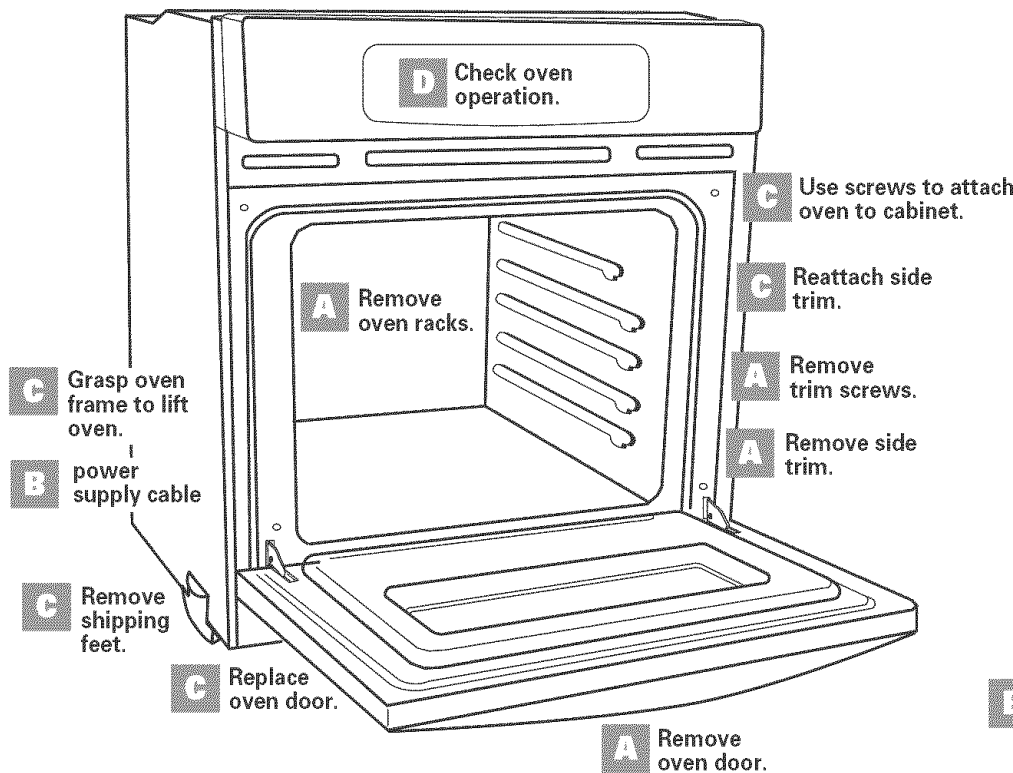
Models rated from 7.3 to 9.6 kW at 240 volts (5.5 to 7.2 kW at 208 volts) require a separate 40-ampere circuit. Models rated at 7.2 kW and below at 240 volts (5.4 kW and below at 208 volts) require a separate 30-ampere circuit.

- ☑ A time-delay fuse or circuit breaker is recommended.
- ☑ Connect directly to the fused disconnect (or circuit breaker box) through flexible, armored or non-metallic sheathed, copper cable (with grounding wire).
- ☑ Flexible armored cable from appliance should be connected directly to junction box.
- ☑ Fuse both sides of the line.
- ☑ A U.L.-listed conduit connector **must** be provided at the junction box.
- ☑ Do Not cut the conduit.

**Wire sizes and connections** must conform with the rating of the appliance and to the requirements of the National Electrical Code, ANSI/NFPA 70 — latest edition (\*, See Page 1) and all local codes and ordinances.

If the house procedure be  
a.) Connect th  
using spe  
Underwrit  
copper to  
connector  
procedure  
b.) Aluminu  
with local  
practice.

# Installation Steps



## A Preparation

### ! WARNING

#### Excessive Weight Hazard

Use two or more people to move and install oven.

Failure to follow this instruction can result in back or other injury.

Important: Use both hands to remove oven doors.

Do Not use handle or any portion of the front



## B Electrical connection

If your house has aluminum wiring, see "Electrical requirements", Page 2.

### ⚠ WARNING



#### Electrical Shock Hazard

Turn power supply off before connecting wires.  
Use 8 gauge solid copper wire.  
Electrically ground range.  
Failure to follow these instructions can result in death, fire, or electrical shock.

This oven is manufactured with white (neutral) power supply wire and a cabinet-connected bare grounding wire twisted together.

- 4.** Feed oven cable through opening in the cabinet. Make electrical connection following the steps needed for your installation.
  - 1.** Disconnect the power supply.
  - 2.** Remove the junction box cover.
  - 3.** Connect oven cable to junction box through the U.L.-listed conduit connector.
  - 4.** Connect the two black wires together with twist-on connectors.
  - 5.** Connect the two red wires together with twist-on connectors.
  - 6.** Complete electrical connection according to local codes and ordinances.

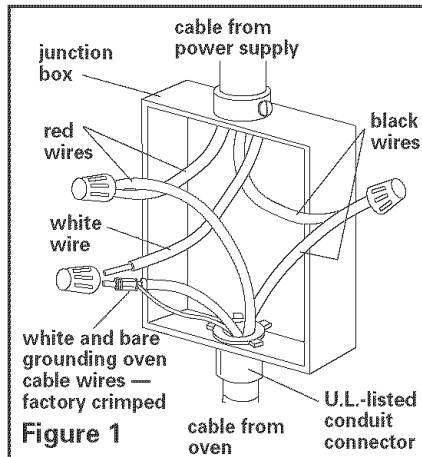


Figure 1

If local codes **PERMIT** connecting cabinet-grounding conductor to neutral white wire in junction box:

- 7.** Connect the factory-crimped bare and white oven cable wires to the neutral (white) wire in junction box. See Figure 1.
- 8.** Replace junction box cover.

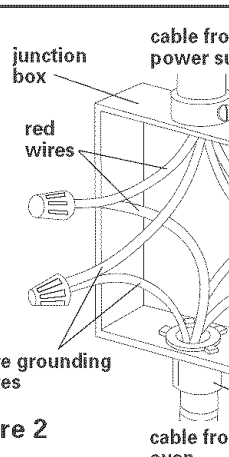


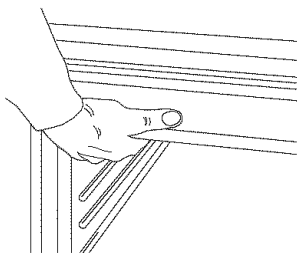
Figure 2

If local codes **DO NOT PERMIT** connecting cabinet-grounding conductor to neutral white wire in junction box:

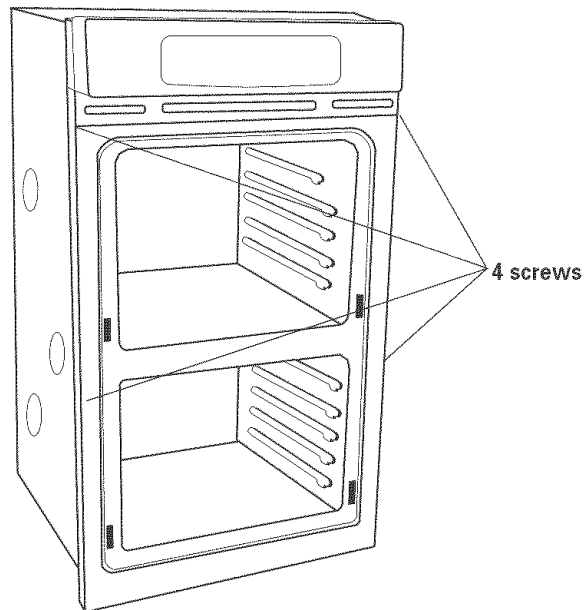
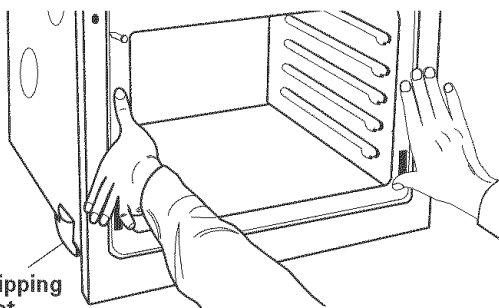
- 7.** Separate the factory-crimped bare and white oven cable wires.
- 8.** Connect white oven cable wire to neutral (white) wire in junction box. See Figure 2.
- 9.** Connect the bare grounding oven cable wire to a grounded wire in the junction box. See Figure 2.
- 10.** Replace junction box cover.

## C Attachment

Carefully push against seal area of oven front frame when pushing oven into cabinet.  
Do Not push against outside edges.



- 5.** Lift oven into cabinet cutout using the oven opening as an area to grip.



- 6.** Important: Securely fasten oven to cabinet using the screws provided (two screws for a single oven or four screws for a double oven). Insert the screws through holes in mounting rails. Do Not overtighten screws.

- 8.** Replace

Important: Re-attach rating plate on some models designed to v

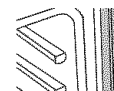
- 9.** Reins of hinges into hinges in as (you will feel both hinge la

Close and open closes and open close or open removal step above.

Repeat for low



Slide top of trim up.



Push trim into place. Replace

## If oven does not operate:

- Check that circuit breaker is not tripped or house fuse blown.
- See Use and Care Guide for troubleshooting list.

## If you need assistance:

If you have questions about operating, cleaning or maintaining your oven:

- Refer to **Use and Care Guide**.
- Call the Consumer Assistance Center: Check your Use and Care Guide for a toll-free number to call or call the dealer from whom you purchased this appliance. The dealer is listed in the Yellow Pages of your phone directory under "Appliances — Household — Major — Service and Repair."

## If you need service:

Maintain the quality built into your built-in oven by calling an authorized service company.

To obtain the name and number of an authorized service company:

- Contact the dealer from whom you purchased your built-in oven; or
- Look in the Yellow Pages of your telephone directory under "Appliances — Household — Major — Service and Repair" for an authorized service company; or
- Call the Consumer Assistance Center. The toll-free phone number is listed in your Use and Care Guide.

When you call, you will need:

- The built-in oven model number.
- The built-in oven serial number.

Both numbers are listed on the model/serial rating plate, located on the oven door or on the oven frame.