

This Owner's Manual is provided and hosted by [Appliance Factory Parts](#).



Shop Vac EA14-C550A Owner's Manual

[Shop genuine replacement parts for Shop Vac
EA14-C550A](#)



[Find Your Shop Vac Vacuum Cleaner Parts - Select From 491 Models](#)

----- Manual continues below -----



Shop-Vac EA14-C550A 6 Gallon 3.5 Peak Wet Dry Vacuum User Manual

[Home](#) » [shop vac](#) » Shop-Vac EA14-C550A 6 Gallon 3.5 Peak Wet Dry Vacuum User Manual 

Shop-Vac EA14-C550A 6 Gallon 3.5 Peak Wet Dry Vacuum



Contents

- 1 CATALOG / MODEL NUMBERS
- 2 CARTON CONTENTS
- 3 TOOLS REQUIRED
- 4 IMPORTANT SAFETY INSTRUCTIONS
 - 4.1 SAVE THESE INSTRUCTIONS
 - 4.2 DOUBLE INSULATED APPLIANCE
 - 4.3 POLARIZATION INSTRUCTIONS
- 5 UNPACKING
 - 5.1 ASSEMBLY CASTER SYSTEM ASSEMBLY
- 6 GENERAL SET UP
- 7 FILTER INSTALLATION AND CLEANING DRY PICK UP OPERATION
- 8 WET PICK UP OPERATION
- 9 BLOWER FEATURE
- 10 EMPTYING LIQUID WASTE FROM THE TANK
- 11 AUTOMATIC SUCTION SHUT OFF
- 12 LUBRICATION
- 13 STORAGE
- 14 TROUBLESHOOTING
- 15 LIMITED LIFETIME WARRANTY
- 16 Customer Support
- 17 Documents / Resources
 - 17.1 References
- 18 Related Posts

CATALOG / MODEL NUMBERS

For your records, please record your Date of Purchase and store this owner's manual in a safe location for future reference.

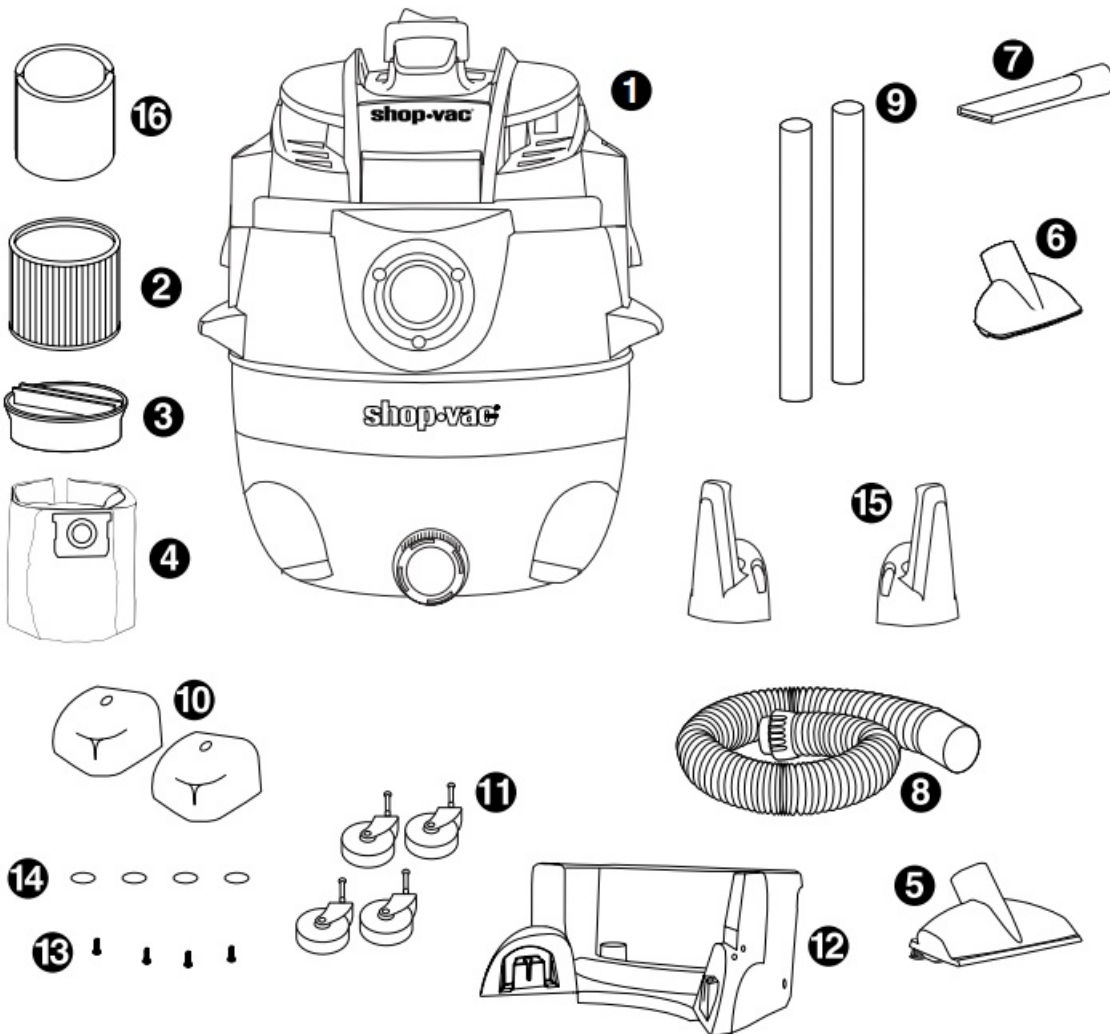
CARTON CONTENTS



WARNING: REVIEW IMPORTANT SAFETY INSTRUCTIONS BEFORE USE.

Check to make sure you have the following:

- ❶ Vacuum
- ❷ Cartridge filter
- ❸ Filter Retainer
- ❹ High Efficiency Filter bag
- ❺ Nozzle
- ❻ Utility nozzle
- ❼ Crevice tool
- ❽ Hose
- ❾ Extension wands (2)
- ❿ Caster feet (2)
Casters (4)
- Accessory caddy
- Screws (4)
- Washers (4)
- Hose Holder (2)
- Foam sleeve



TOOLS REQUIRED

- Safety Glasses



- Flathead Screwdriver



Questions?

Visit www.shopvac.com 24 hours a day.



ATTENTION!

Read all safety rules carefully before attempting to operate. Retain for future reference.



DANGER

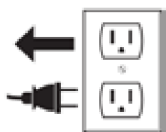


Never operate this unit when flammable materials or vapors are present because electrical devices produce arcs or sparks that can cause a fire or explosion.

NEVER OPERATE UNATTENDED!



WARNING!



ALWAYS DISCONNECT THE PLUG FROM THE WALL OUTLET BEFORE REMOVING THE TANK COVER.

WARNING!



ALWAYS WEAR EYE PROTECTION TO PREVENT ROCKS OR DEBRIS FROM BEING BLOWN OR RICOCHETING INTO THE EYES OR FACE WHICH CAN RESULT IN SERIOUS INJURY

IMPORTANT SAFETY INSTRUCTIONS

When using an electrical appliance, basic precautions should always be followed, including the following:
READ ALL INSTRUCTIONS BEFORE USING THIS APPLIANCE.



WARNING!



TO REDUCE THE RISK OF FIRE, ELECTRIC SHOCK OR INJURY:

1. Do not leave appliance when plugged in. Unplug from outlet when not in use and before servicing.
2. Do not expose to rain – store indoors.
3. Do not allow to be used as a toy. Close attention is necessary when used by or near children.
4. Use only as described in this manual. Use only Manufacturer's recommended attachments.
5. Do not use with damaged cord or plug. If appliance is not working as it should, has been dropped, damaged, left outdoors or dropped into water, contact Shop-Vac for assistance.
6. Do Not: pull or carry by cord, use cord as a handle, close a door on cord or pull cord around sharp edges or corners. Do not run appliance over cord. Keep cord away from heated surfaces.
7. Do not unplug by pulling on cord. To unplug, grasp the plug; not the cord.
8. Do not handle plug or appliance with wet hands.
9. Do not put any object into openings. Do not use with any openings blocked; keep free of dust, lint, hair and anything that may reduce air flow.
10. Keep hair, loose clothing, fingers and all parts of body away from openings and moving parts.
11. Do not pick up anything that is burning or smoking, such as cigarettes, matches or hot ashes.
12. Do not use without dust bag and/or filters in place.
13. Turn off all controls before unplugging.
14. Use extra care when cleaning on stairs.
15. Do not use to pick up flammable or combustible liquids such as gasoline or use in areas where they may be present.
16. Do not use your cleaner as a sprayer of flammable liquids such as oil base paints, lacquers, household cleaners, etc.
17. Do not vacuum toxic, carcinogenic, combustible or other hazardous materials such as asbestos, arsenic, barium, beryllium, lead, pesticides or other health endangering materials. Specially designed units are available for these purposes.
18. Do not pick up soot, cement, plaster or drywall dust without cartridge filter and collection filter bag in place. These are very fine particles that may pass through the foam and affect the performance of the motor or be exhausted back into the air. Additional collection filter bags are available.
19. Do not leave the cord lying on the floor once you have finished the cleaning job. It can become a tripping hazard.
20. Use special care when emptying heavily loaded tanks.
21. To avoid spontaneous combustion, empty tank after each use.
22. The operation of a utility vac can result in foreign objects being blown into eyes, which can result in eye damage. Always wear safety goggles when operating vacuum.
23. **STAY ALERT.** Watch what you are doing and use common sense. Do not use vacuum cleaner when you are

tired, distracted or under the influence of drugs, alcohol or medication causing diminished control.

24. **WARNING!** Do **NOT** use this vacuum cleaner to vacuum lead paint debris because this may disperse fine lead particles into the air. This vacuum cleaner is not intended for use under EPA Regulation 40 CFR Part 745 for lead paint material cleanup.

SAVE THESE INSTRUCTIONS



WARNING!

DO NOT LEAVE VACUUM UNATTENDED WHEN IT IS PLUGGED IN AND/OR OPERATING. UNPLUG UNIT WHEN NOT IN USE.

DOUBLE INSULATED APPLIANCE

This appliance is provided with double insulation. Use only identical replacement parts.

Servicing for Double Insulated Appliances

A double insulated appliance is marked with one or more of the following: the words “Double Insulation” or “Double Insulated” or the Double Insulation symbol. In a double insulated appliance, two systems of insulation are provided instead of grounding. No grounding means is provided on a double insulated appliance, nor should a means for grounding be added to the appliance. Servicing a double insulated appliance requires extreme care and knowledge of the system, and should be done only by qualified service personnel. Replacement parts for a double insulated appliance must be identical to the parts they replace.

POLARIZATION INSTRUCTIONS

To reduce the risk of electric shock, this appliance has a polarized plug (one blade is wider than the other). This plug will fit in a polarized outlet only one way. If the plug does not fit fully in the outlet, reverse the plug. If it still does not fit, contact a qualified electrician to install the proper outlet. Do not change the plug in any way.



EXTENSION CORDS

When using the appliance at a distance where an extension cord becomes necessary, a 2-conductor

cord of adequate size must be used for safety, and to prevent loss of power and overheating. Use *TABLE A* to determine A.W.G. wire size required. To determine ampere rating of your vacuum, refer to nameplate located on motor housing.

Before using appliance, inspect power cord for loose or exposed wires and damaged insulation. Make any needed repairs or replacements before using your appliance. Use only two-wire outdoor extension cords, which have two-prong non-grounding-type plugs and receptacles which accept the extension cord's plug. When vacuuming liquids, be sure the extension cord connection does not come in contact with the liquid.

NOTE: STATIC SHOCKS ARE COMMON IN DRY AREAS OR WHEN THE RELATIVE HUMIDITY OF THE AIR IS LOW. THIS IS ONLY TEMPORARY AND DOES NOT AFFECT THE USE OF THE APPLIANCE. TO REDUCE THE FREQUENCY OF STATIC SHOCKS IN YOUR HOME, THE BEST REMEDY IS TO ADD MOISTURE TO THE AIR WITH A CONSOLE OR INSTALLED HUMIDIFIER.

Volts			Total length of cord in feet			
120V			25	50	100	150
Ampere Rating More Not More Than Than			AWG			
0	–	6	18	16	16	14
6	–	10	18	16	14	12
10	–	12	18	16	14	12

UNPACKING

NOTE: ACCESSORIES AND FILTERS MAY BE PACKED IN TANK.

1. Pull lid latches out from bottom, lift up on bottom of latch and bring down to side of tank. **FIGURE 1.**

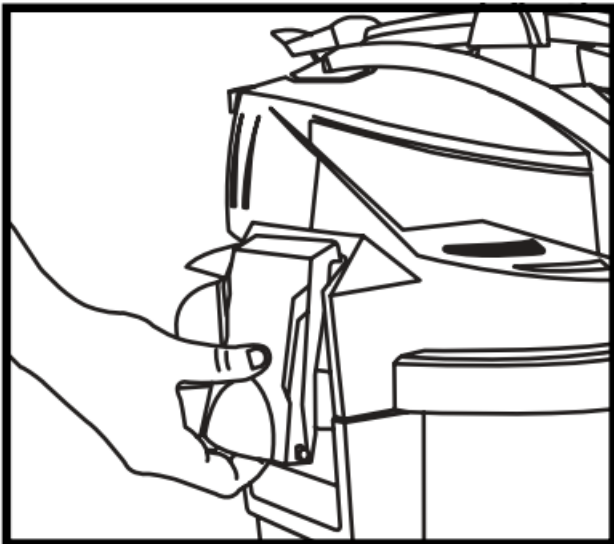


FIGURE 1

2. Lift cover off of tank by using the handle on top of the cover. **FIGURE 2.**

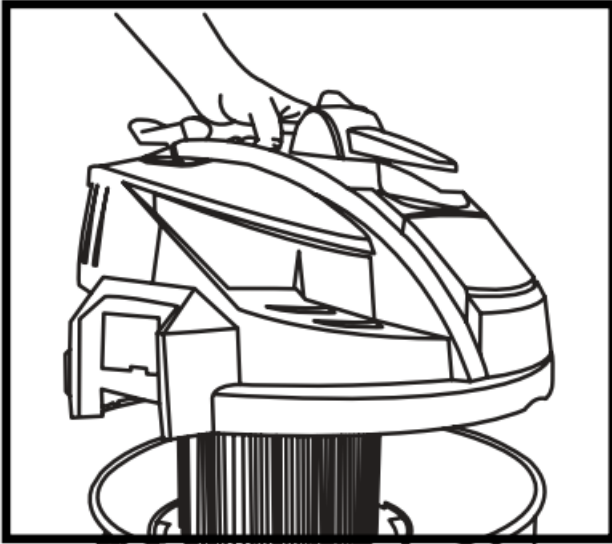


FIGURE 2

3. Remove any accessories and literature that may have been packed in the vacuum tank.

ASSEMBLY CASTER SYSTEM ASSEMBLY

You will find four casters **FIGURE 3**, accessory caddy **FIGURE 4**, two caster feet **FIGURE 5**, four screws and four washers with your wet/ dry vacuum. Assemble as follows:

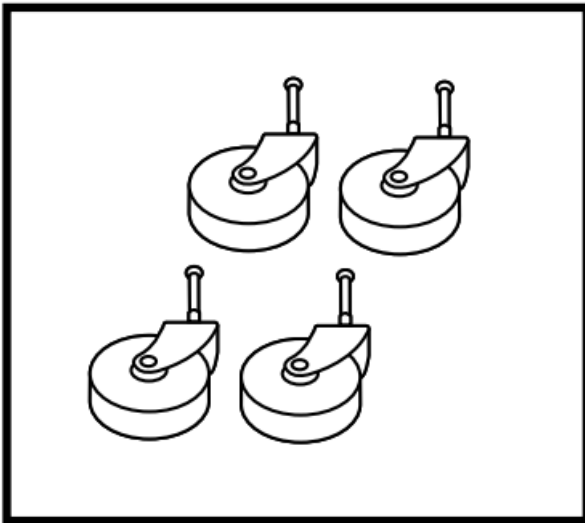


FIGURE 3

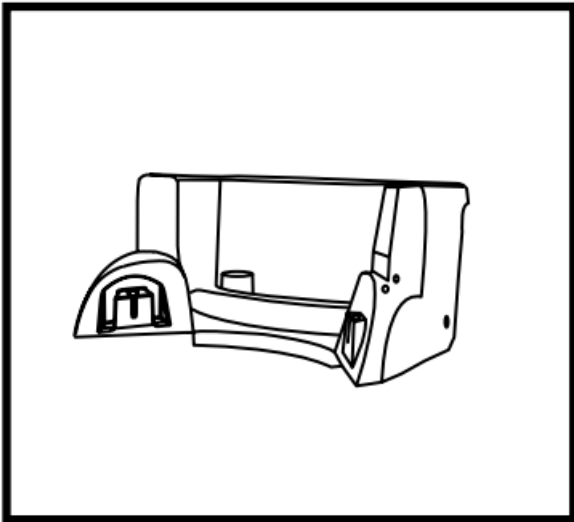


FIGURE 4

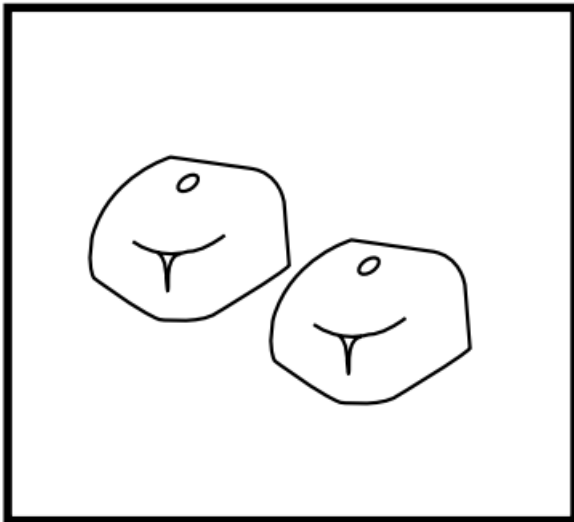


FIGURE 5

4. With cord disconnected from the receptacle and tank cover removed, turn tank upside-down so bottom is facing up.
5. Take accessory caddy and place into slots located on rear of tank (opposite of drain). Secure with screws provided. **FIGURE 6.**

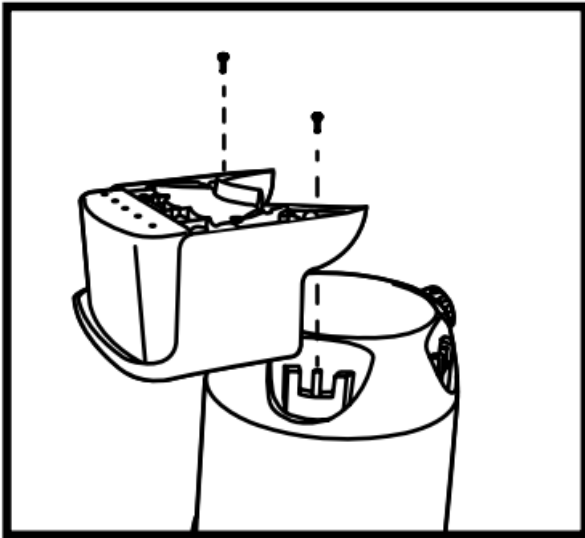


FIGURE 6

6. Take two casters and place a flat washer over the stem of each caster. Install casters into auxiliary caddy by inserting the caster stems into the holes provided. Apply pressure and twisting motion until the casters snap into place. **FIGURE 7**

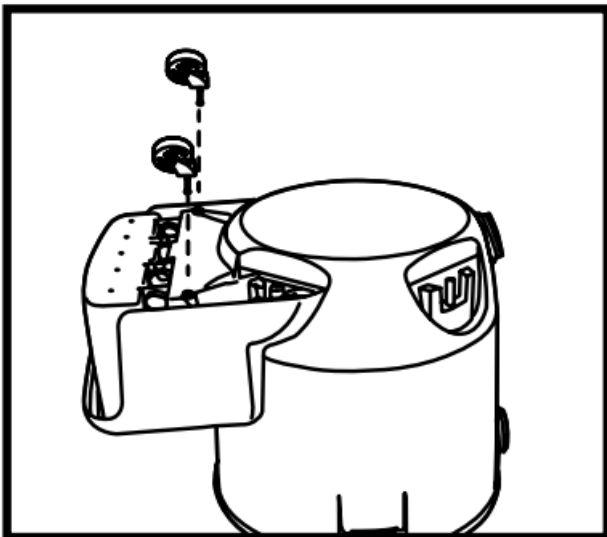


FIGURE 7

7. With tank drain facing you, take caster foot marked with the letter A and place into slot on left side of tank, also marked with the letter A. **FIGURE 8.**

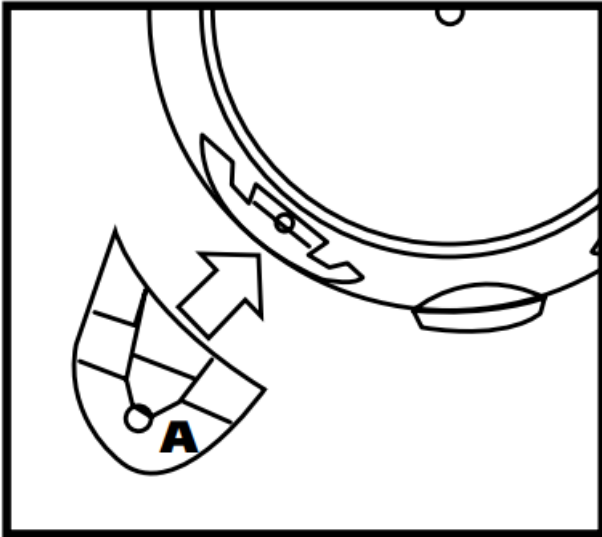


FIGURE 8

8. Secure caster foot to tank with screw provided. **FIGURE 9.**

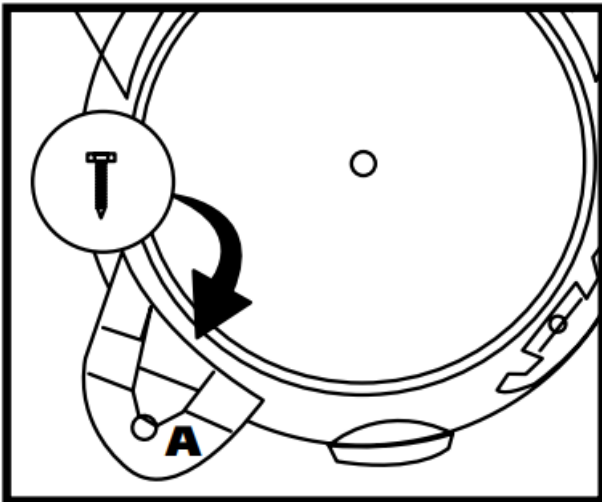


FIGURE 9

9. Take caster foot marked with the letter B and place into slot on right side of tank, also marked with the letter B. **FIGURE 10.**

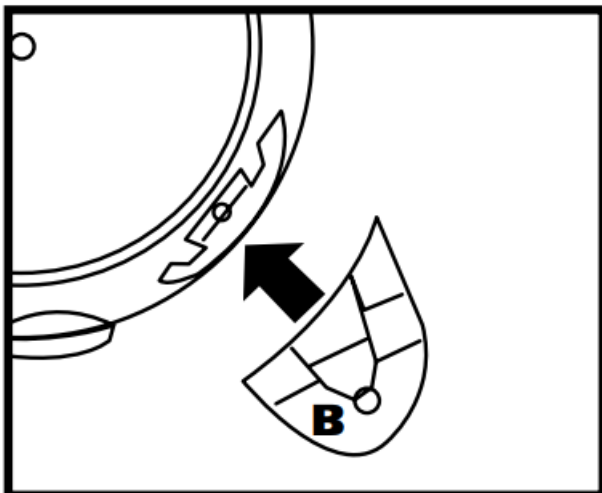


FIGURE 10

10. Secure caster foot to tank with screw provided. **FIGURE 11.**

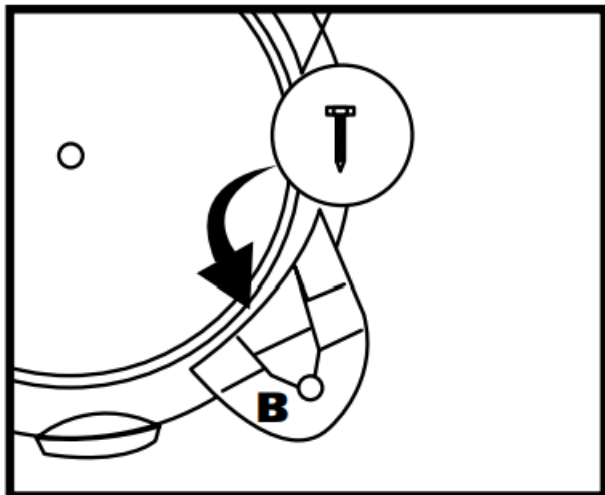


FIGURE 11

11. Take the remaining casters and place a flat washer over the stem of each caster. Insert casters into caster feet by placing the caster stems into the holes provided. Apply pressure and twisting motion until casters snap into place. **FIGURE 12.**

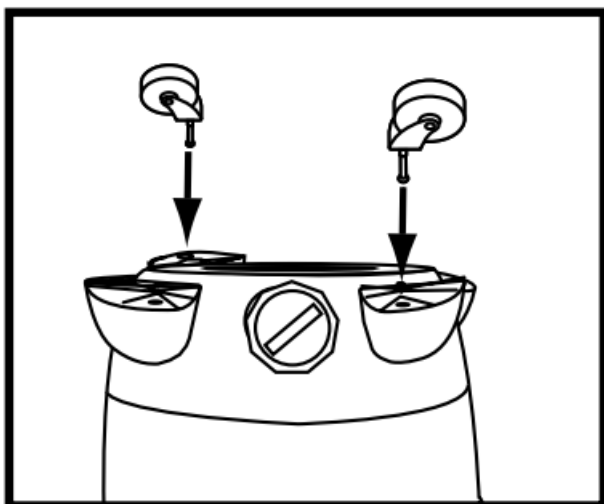


FIGURE 12

12. With tank drain facing you, attach hose holder A to caster foot A, and hose holder B to caster foot **B.** **FIGURE 13.**

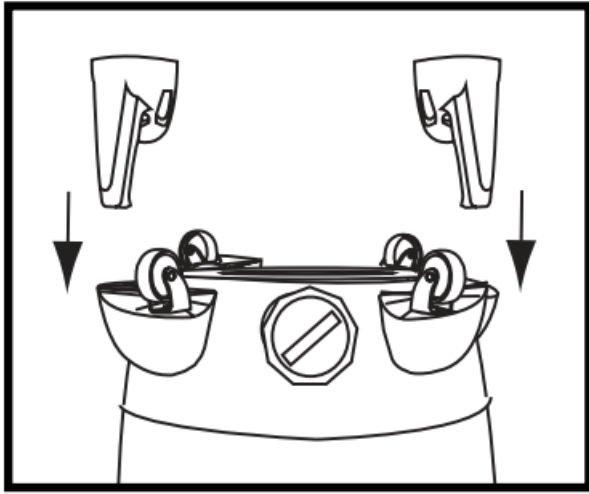


FIGURE 13

13. Apply pressure to front of hose holder to snap into place. **FIGURE 14.**

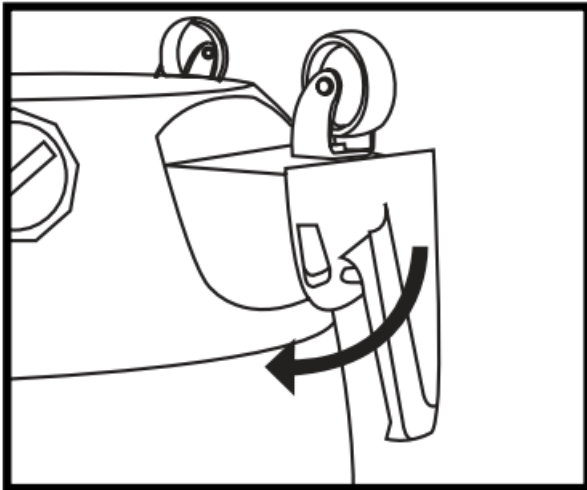


FIGURE 14

14. Return tank to upright position.

GENERAL SET UP

15. Before replacing tank cover, refer to **Dry Pick Up** or **Wet Pick Up Operation** in user manual to ensure you have the proper filters installed for your cleaning operation.
16. Replace the tank cover. Lift latches up and place in the grooves on the cover as shown in **FIGURE 15**. Push in on bottom of latches to lock in place.

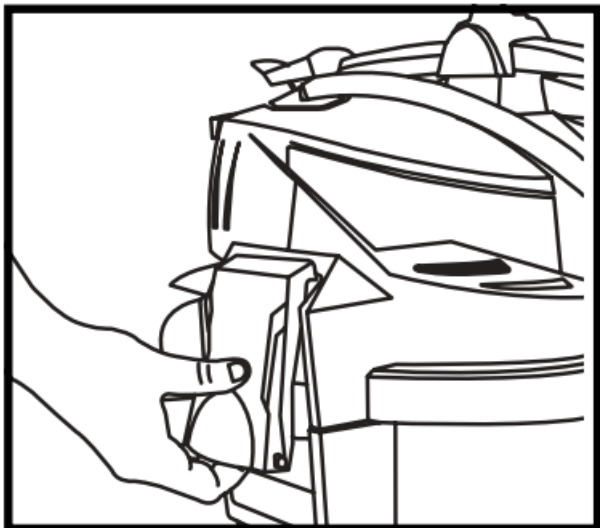


FIGURE 15

17. Insert machine hose end with locking-nut into inlet of tank. Turn locking nut to tighten. Do not over-tighten.
18. Attach the extension wands to the accessory end of the hose. Twist slightly to tighten the connection. **FIGURE 16.**

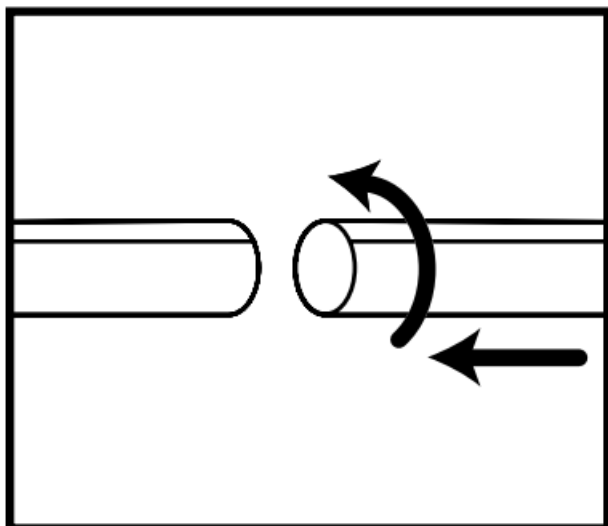


FIGURE 16

19. Attach one of the cleaning accessories (depending on your cleaning requirements) on the extension wands. Twist slightly to tighten the connection. **FIGURE 16.**
20. Plug the cord into the wall outlet. Your cleaner is ready for use. **I = ON, O = OFF**

NOTE: Many more useful tools are available at your local dealer or Shop-Vac® website.

Questions?

Visit www.shopvac.com 24 hours a day.

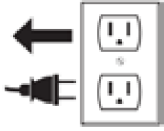


FILTER INSTALLATION AND CLEANING DRY PICK UP OPERATION

NOTE: Never use the vacuum for dry pick up without a dry use filter installed on the lid cage. Using the vacuum without a filter will cause dust to discharge from blower port and cause damage to motor.

INSTALLING AND CLEANING THE CARTRIDGE FILTER:

WARNING!



ALWAYS DISCONNECT THE PLUG FROM THE WALL OUTLET BEFORE REMOVING THE TANK COVER

NOTE: If foam sleeve (not standard with all models)

is installed on lid cage, remove before installing the cartridge filter.

21. The cartridge filter can be used for dry pick up and small quantities of wet pick up. Installation is the same for both. When picking up large quantities of water we recommend using a foam sleeve (not standard with all models) instead of the cartridge filter. When picking up fine dust or powders a high efficiency filter bag (not standard with all models) must be used with the cartridge filter.

NOTE: If cartridge filter has been used for wet pick up, it must be cleaned and dried before using it for dry pick up.

22. With the tank cover in an upside down position, slide the cartridge filter down over the lid cage, pushing until the filter seals against the cover. **FIGURE 17.**

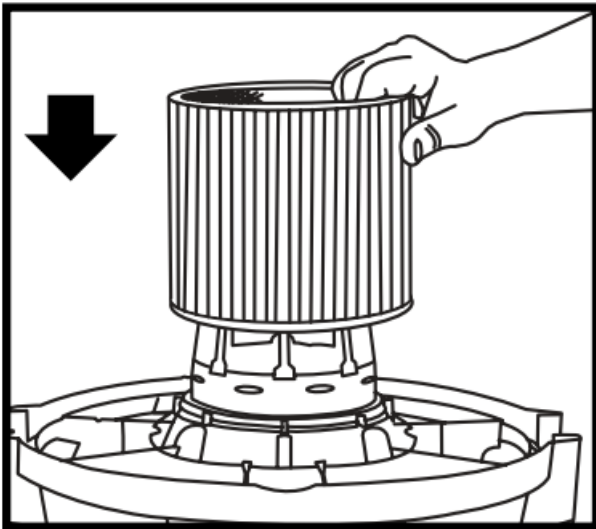


FIGURE 17

23. Place filter retainer into the top of the cartridge filter. **FIGURE 18.**

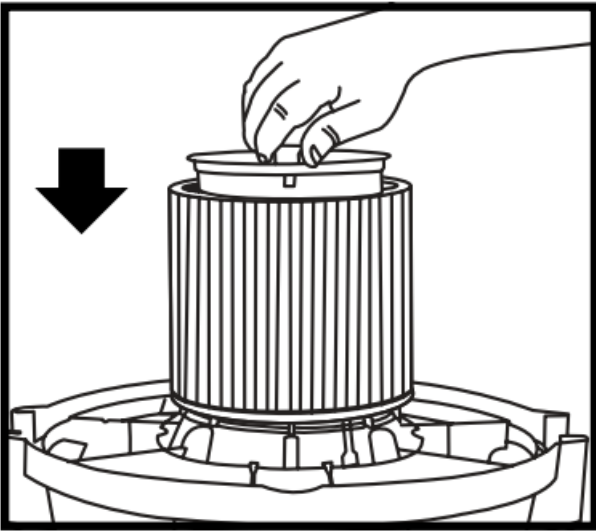


FIGURE 18

24. . Hold the tank cover with one hand, turn the handle on the filter retainer clockwise to tighten, locking the filter into place. **FIGURE 19.**

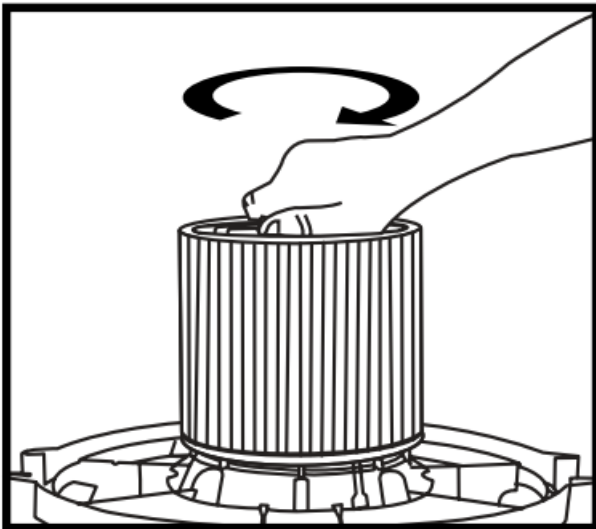


FIGURE 19

25. To remove the filter for cleaning, again hold the tank cover and turn the filter retainer counter-clockwise to loosen and remove. **FIGURE 20.**

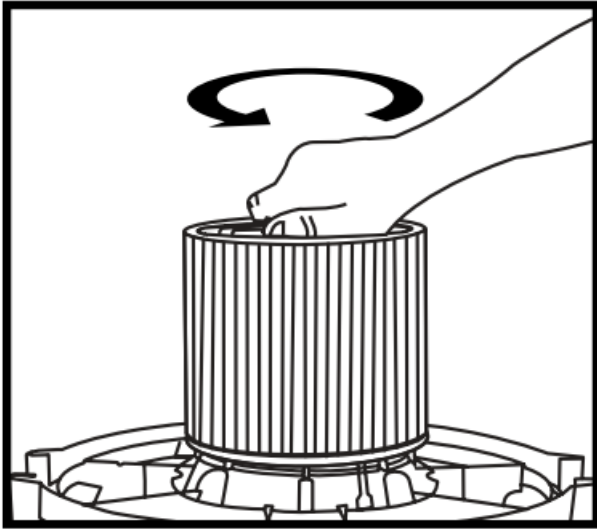


FIGURE 20

26. Slide the cartridge filter off the lid cage. **FIGURE 21**

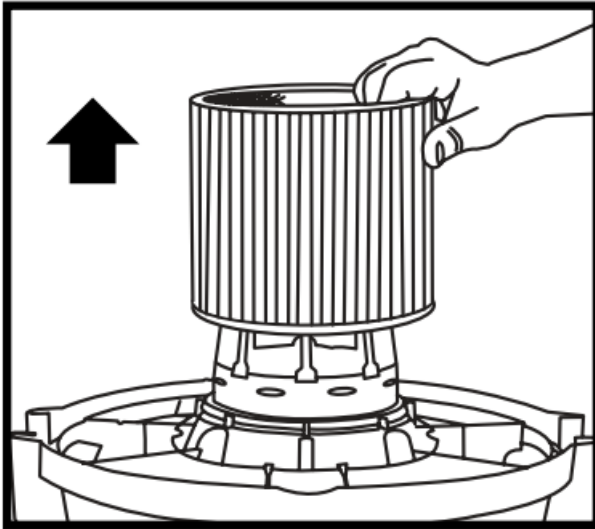


FIGURE 21

27. To clean cartridge filter shake or brush off excess dirt. **FIGURE 22.**

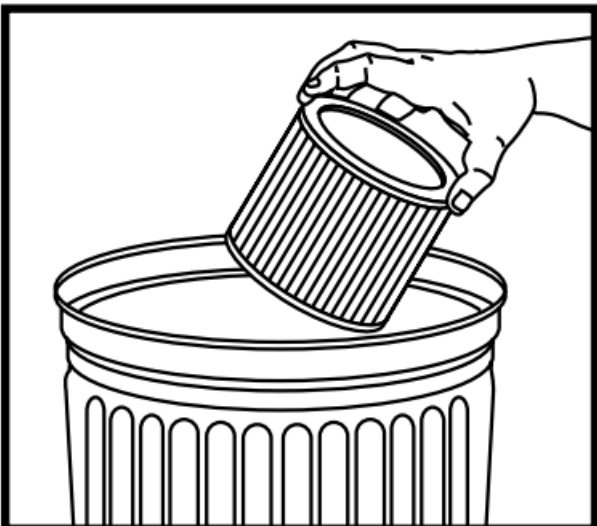


FIGURE 22

28. Or rinse (from the inside of the filter) with water. **FIGURE 23.** Dry completely (approximately 24 hours).

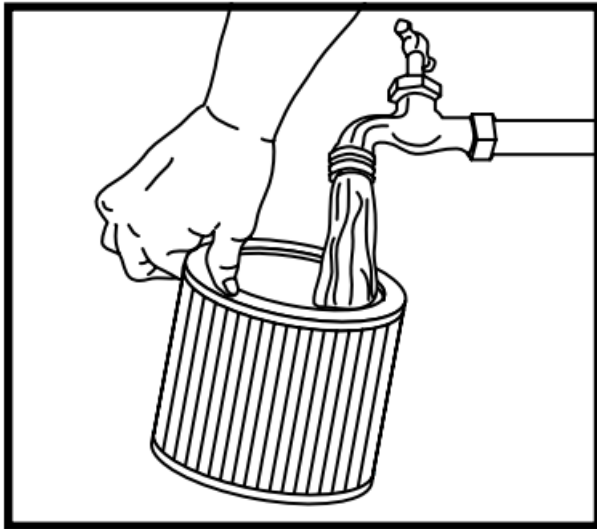


FIGURE 23

29. Check the filter for tears or small holes. If none are found, reinstall the filter.

To prevent damage to your vacuum, do not use a filter with a hole or a tear.



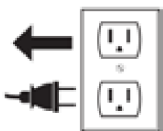
WARNING!

KEEP FILTERS CLEAN. EFFICIENCY OF THE VACUUM IS LARGELY DEPENDENT ON THE FILTER. A CLOGGED FILTER CAN CAUSE OVERHEATING AND POSSIBLY DAMAGE THE CLEANER. CHECK THE FILTER PERIODICALLY AND REPLACE AS REQUIRED.

INSTALLING THE DISPOSABLE FILTER BAG:



WARNING!



ALWAYS DISCONNECT THE PLUG FROM THE WALL OUTLET BEFORE REMOVING THE TANK COVER.

30. Use the filter bag in conjunction with the cartridge filter for easy disposal of the debris. The bag is not required for normal dry pick up. When picking up fine dust or powders a high efficiency filter bag (**not standard with all models**) must be used.

NOTE: Use for dry pick up only.

31. With cord disconnected from the receptacle, pull latches in an outward motion from the bottom and remove the tank cover.

32. Unscrew hose locking nut and remove hose from inlet. **FIGURE 24.**

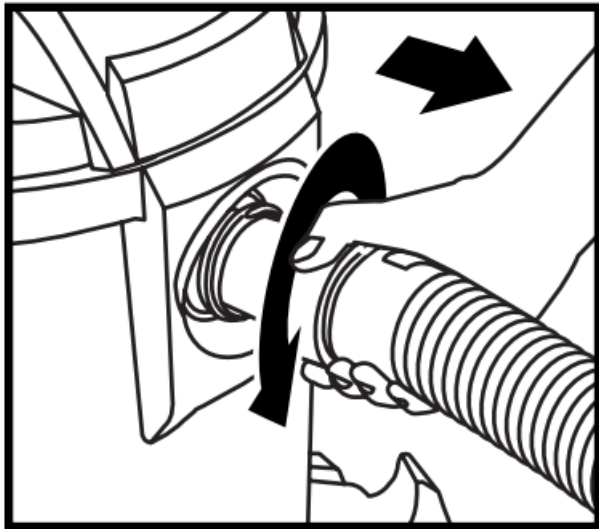


FIGURE 24

33. Remove the inlet deflector from the deflector guide. **NOTE:** Hose must be removed before the inlet deflector can be taken out. **FIGURE 25.**

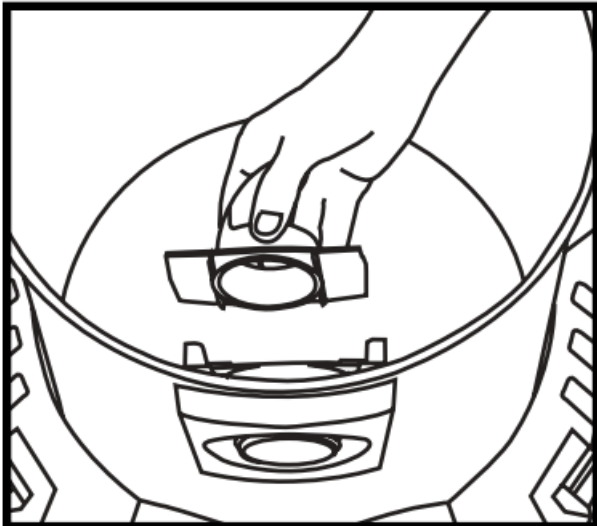


FIGURE 25

34. Position the inlet deflector with the opening facing the left or the right side of the filter bag. Slide the filter bag collar over the inlet deflector, matching the notches of the bag collar to the tabs on the inlet deflector. Bag will only fit properly one way. **FIGURE 26.**

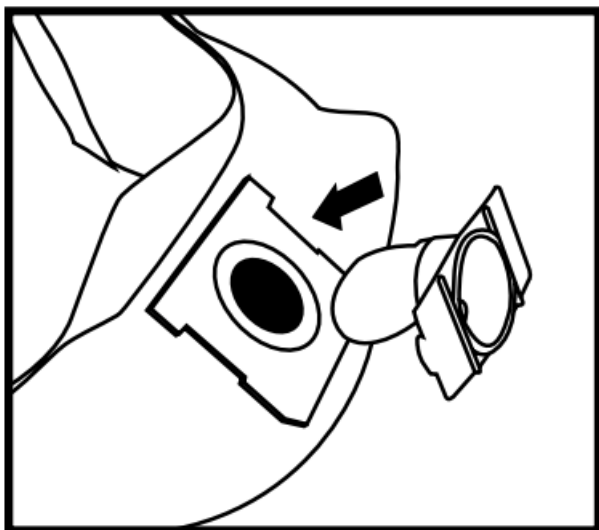


FIGURE 26

35. Slide the inlet deflector with the filter bag attached into the deflector guide. **FIGURE 27.**

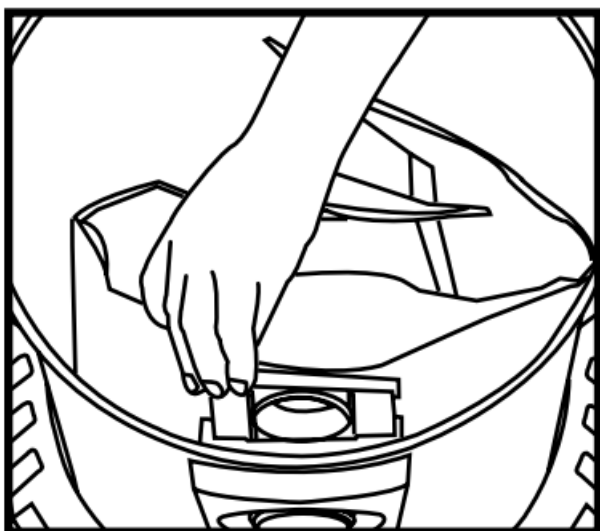


FIGURE 27

36. Reinsert hose into inlet and tighten the locking-nut. **FIGURE 28.**

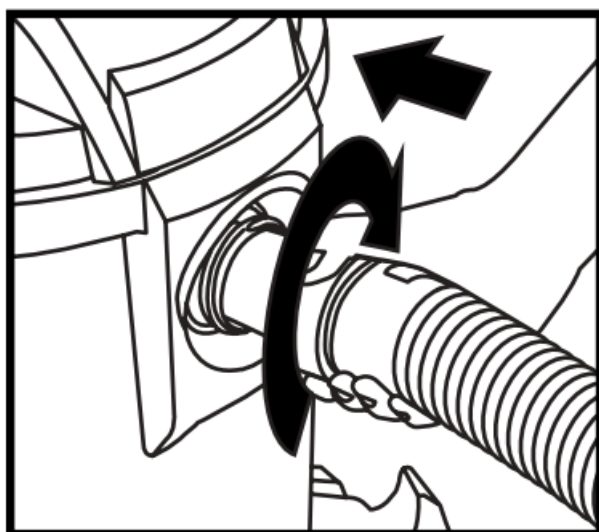


FIGURE 28

37. When secured in place, expand the filter bag and position around the inside of the tank. Replace tank cover.

NOTE: When removing filter bag from tank, remove the inlet deflector from the filter bag collar. Reinstall inlet deflector into deflector guide. Inlet deflector must be in place for any type of cleaning.

WARNING!



FOR FINE DUST POWDERS

When vacuuming fine dust, or powders of any kind (plaster, drywall dust, cold ashes, concrete dust, etc.) a high efficiency drywall filter bag must be used. When vacuuming normal household dust and debris, standard household disposable filter bags may be used.

WET PICK UP OPERATION

38. Your vacuum can be used for wet pick up. Remove ALL dirt and debris found in the tank. Remove all dry use only filters, including the filter bag, from the vacuum.
39. A clean cartridge filter may be used to pick up small quantities of liquid. To use the cartridge filter; follow the cleaning and installation instructions under dry pick up.
40. For vacuuming large quantities of liquid use a foam sleeve (**not standard with all models**). A foam sleeve may be purchased at your local Shop-Vac® distributor, on the Shop-Vac® website, or by contacting Shop-Vac® customer service. To use the foam sleeve; follow the installation instructions in this section.
41. Misting in the exhaust air or dripping of liquid around the tank cover may occur if the filter becomes saturated during wet pick up. If this occurs, remove the filter and allow to dry, or replace with another dry filter.
42. Turn the unit off immediately upon completing a wet pick up job or when tank is full and ready to be emptied. When the tank is full, suction will drastically reduce. Refer to “automatic suction shut off” in this manual. Raise the hose to drain any excess liquid into the tank. Follow the “emptying liquid waste” section in this manual.
43. Before storing the vacuum cleaner or using for dry pick up, clean and dry the interior of the tank and the underside of the tank cover. Clean and allow the filters to dry completely.

NOTE: WET PICK UP ACCESSORIES SHOULD BE WASHED PERIODICALLY; ESPECIALLY AFTER PICKING UP WET, STICKY KITCHEN ACCIDENTS. THIS CAN BE ACCOMPLISHED WITH A WARM SOLUTION OF SOAP AND WATER.

FOAM SLEEVE INSTALLATION AND CLEANING:

44. With tank cover in an upside down position, slide foam sleeve down over lid cage pulling until foam sleeve completely covers lid cage. **FIGURE 29.**

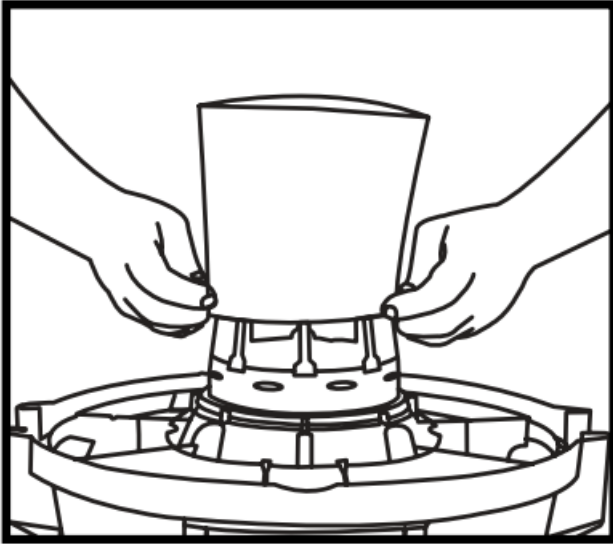


FIGURE 29

45. To clean the foam sleeve, disconnect the plug from the wall outlet. Remove the tank cover and place the cover in an upside-down position. Remove foam sleeve by sliding it up and off the lid cage.
46. Shake excess debris off of the foam sleeve with a rapid up and down movement.
47. Hold foam sleeve under running water for a minute or two, rinsing from the inside of the filter. A water wash is not always required, depending on the condition of the foam sleeve.
48. Check the filter for tears. If any are found, replace with a new filter.



BLOWER FEATURE

49. Your vacuum can be used as a powerful blower.

To use your unit as a blower, unscrew blower port cover located on the backside of the tank cover. Clear hose of any obstructions. Insert machine hose end with locking nut into blower port and tighten locking-nut. **FIGURE 30.** Do not overtighten. Caution should be used when using as a blower due to the powerful force of air when using certain attachments.

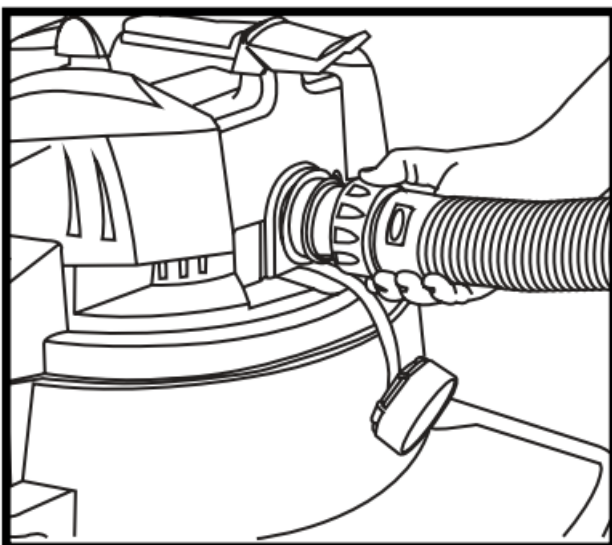


FIGURE 30

NOTE: For maximum performance, when vacuuming, remove blower port cover.



WARNING!

ALWAYS WEAR EYE PROTECTION TO PREVENT ROCKS OR DEBRIS FROM BEING BLOWN OR RICOCHETING INTO THE EYES OR FACE WHICH CAN RESULT IN SERIOUS INJURY.



EMPTYING LIQUID WASTE FROM THE TANK

50. Your wet/dry vacuum can be emptied of liquid waste by removing the drain cap. To empty, turn unit off and remove plug from the wall receptacle. Remove the drain cap and deposit the liquid waste contents in a suitable drain. After the tank is empty, return the drain cap to its original position. To continue use, plug the cord into the wall receptacle and turn the unit on. Use side carry handles for lifting vac when draining tank into drains that are located above floor level.

AUTOMATIC SUCTION SHUT OFF

51. The vacuum is equipped with an automatic suction shut-off that operates when picking up liquids. As the level of the liquid rises in the tank, an internal float rises until it seats itself against a seal at the intake of the motor, shutting off suction. When this happens, the motor will develop a higher than normal pitch noise and the suction is drastically reduced. If this occurs, turn unit off immediately. Failure to turn unit off after float rises and shuts off suction will result in extensive damage to the motor. To continue use, empty the liquid waste from the tank as outlined in the previous section.

NOTE: IF ACCIDENTALLY TIPPED OVER, THE VACUUM COULD LOSE SUCTION. IF THIS OCCURS, TURN UNIT OFF AND PLACE VAC IN UPRIGHT POSITION. THIS WILL ALLOW THE FLOAT TO RETURN TO ITS NORMAL POSITION, AND YOU WILL BE ABLE TO CONTINUE OPERATION.



LUBRICATION

52. No lubrication is necessary as the motor is equipped with lifetime lubricated bearings.

STORAGE

53. The power cord can be wrapped around the cord wraps provided on the top of the tank cover located in front and behind the handle. **FIGURE 31.**

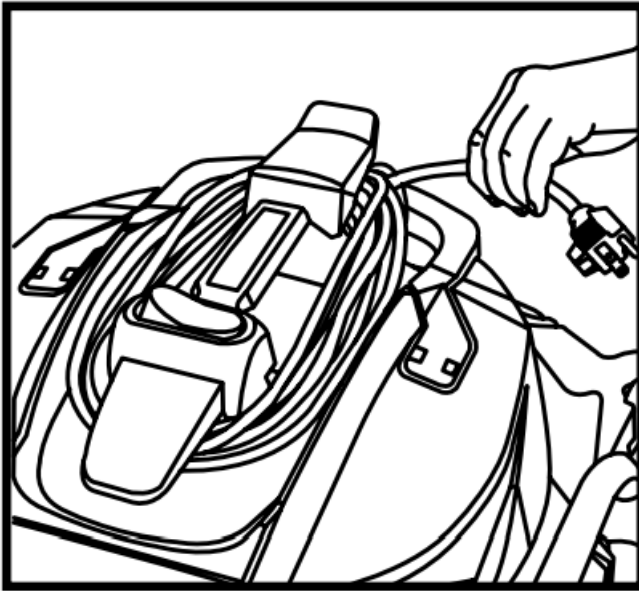


FIGURE 31

54. To remove the cord from the cord wraps grasp the sides of the rear cord wrap located behind the handle, turn counter clockwise 180° until the tip of the cord wrap is above the handle. **FIGURE 32.**

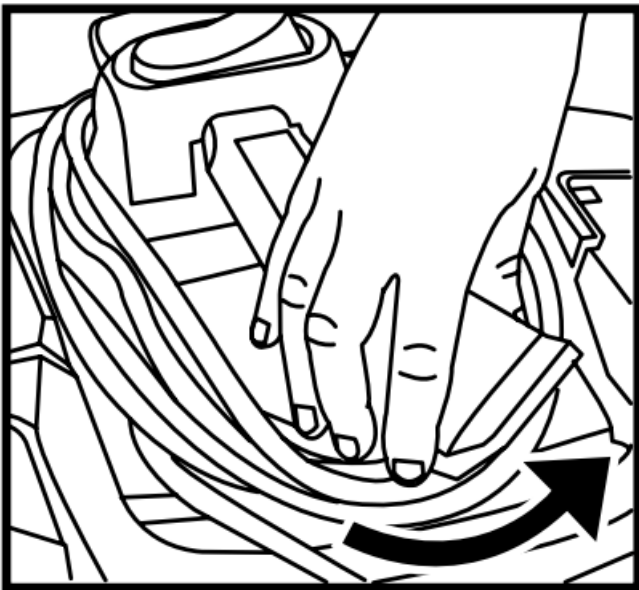


FIGURE 32

55. Grasp the entire cord behind the handle and pull above the rear cord wrap, pull cord towards the front of the vac until the cord becomes disconnected from the front cord wrap. **FIGURE 33.**

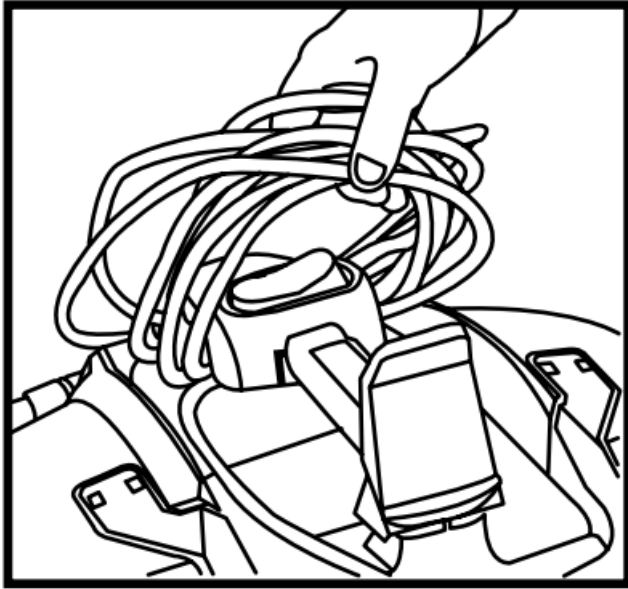


FIGURE 33

56. Grasp the sides of the rear cord wrap and turn clockwise 180° to return it to its original position. **FIGURE 34.**

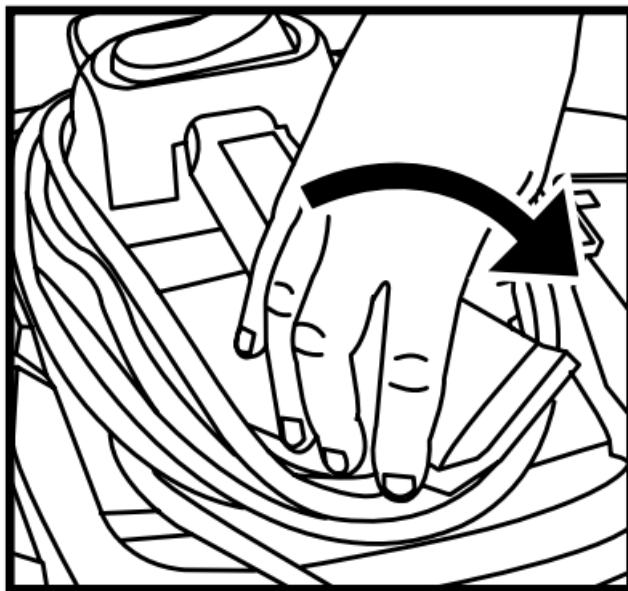


FIGURE 34

57. Accessories may be stored in the accessory caddy. The hose may be stored in the hose holder.

To do this, place one end of the hose between the hose holder posts and the tank. Wrap the hose around the tank keeping the hose tucked between the posts and the tank. **FIGURE 35. The vacuum should be stored indoors.**

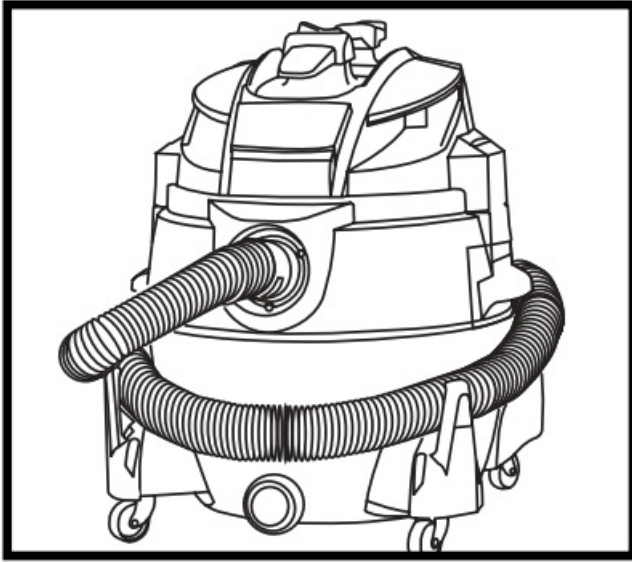
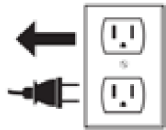


FIGURE 35



TROUBLESHOOTING



BEFORE DOING ANY WORK ON YOUR VACUUM, TURN THE UNIT OFF AND DISCONNECT THE PLUG FROM THE WALL OUTLET.

PROBLEM	CAUSE	SOLUTION
Suction weakens or cleaner runs hot	Clogged filter	Brush dirt from filter. If condition continues, change filter.
	Air leak	Check all fittings for tight fit (nozzles, hose, etc.) Check that tank cover is sealed properly.
	Obstruction in hose or nozzle	Check nozzle, hose, etc. for obstructions, and remove if present.
Misting in the exhaust air	Saturated filter	Replace saturated filter with a dry filter.

LIMITED LIFETIME WARRANTY

This product has a Limited Lifetime Warranty.
 For Warranty Policy and Vacuum Registration details go to:

<https://www.shopvac.com/warranty>



<https://shopvac.com/register>



Visit www.shopvac.com for your vacuum's parts list schematic.

Shop-Vac Customer Service:
www.shopvac.com/support

Contact Shop-Vac® Customer Service if any parts are
missing or damaged

SHOP-VAC
2323 Reach Road
Williamsport, PA 17701
www.shopvac.com
U.S. Patents Issued and Pending.

Customer Support



Documents / Resources

The cover of the user manual for the Shop-Vac EA14-C550A. It features the Shop-Vac logo at the bottom, a technical drawing of the vacuum unit, and text indicating it is a 14 U.S. Gallons / 53 Liter Series CA Wet/Dry Vacuum. A warning icon and text are also present.	<p>Shop-Vac EA14-C550A 6 Gallon 3.5 Peak Wet Dry Vacuum [pdf] User Manual EA14-C550A 6 Gallon 3.5 Peak Wet Dry Vacuum, EA14-C550A, 6 Gallon 3.5 Peak Wet Dry Vacuum, Peak Wet Dry Vacuum, Dry Vacuum, Vacuum</p>
---	--

References

- [Wet/Dry Shop Vacuum Comprehensive Search, Reviews & Buying Guide](#)
- [Shop-Vac Store - Genuine Shop-Vac Products](#)
- [Customer Service | Shop-Vac Store](#)
- [Register Your Shop-Vac® Product | Shop-Vac Store](#)
- [Wet/Dry Shop Vacuum Comprehensive Search, Reviews & Buying Guide](#)
- [The Shop-Vac® Home Use Warranty | Shop-Vac Store](#)