

This Owner's Manual is provided and hosted by [Appliance Factory Parts](#).



Broil King 8652-54 Owner's Manual

[Shop genuine replacement parts for Broil King 8652-54](#)



[Find Your Broil King Grill Parts - Select From 1349 Models](#)

----- Manual continues below -----

Broil King®

ASSEMBLY MANUAL & PARTS LIST - MANUEL DE MONTAGE & LISTE DE PIÈCES



Broil King
CROWN 420
8652-54
8652-57



Broil King
CROWN S 420
8653-54
8653-57



Broil King
CROWN 440
8652-64
8652-67



Broil King
CROWN S 440
8653-64
8653-67



Broil King
CROWN 490
8652-84
8652-87



Broil King
CROWN S 490
8653-84
8653-87

RETAIN FOR FUTURE REFERENCE - VEUILLEZ CONSERVER POUR REFERENCE ULTERIEURE


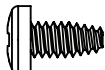
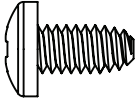
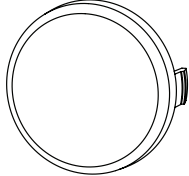
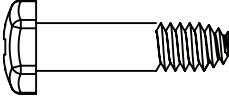

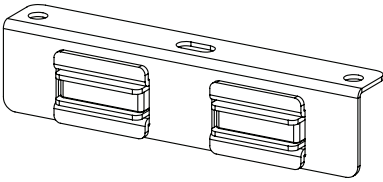
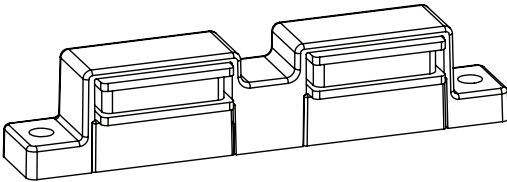
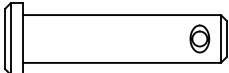
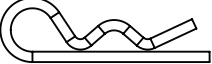

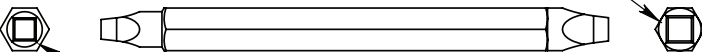

Onward
MANUFACTURING COMPANY
585 KUMPF DRIVE LIMITED
WATERLOO, ONTARIO, CANADA
N2V 1K3

SINCE 1906

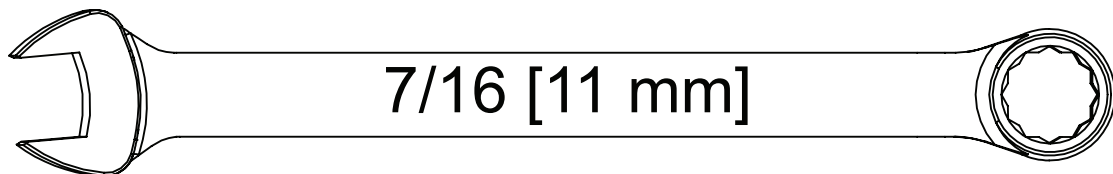
info@omcbbq.com
1-800-265-2150

50084-R70 REV D 04/21

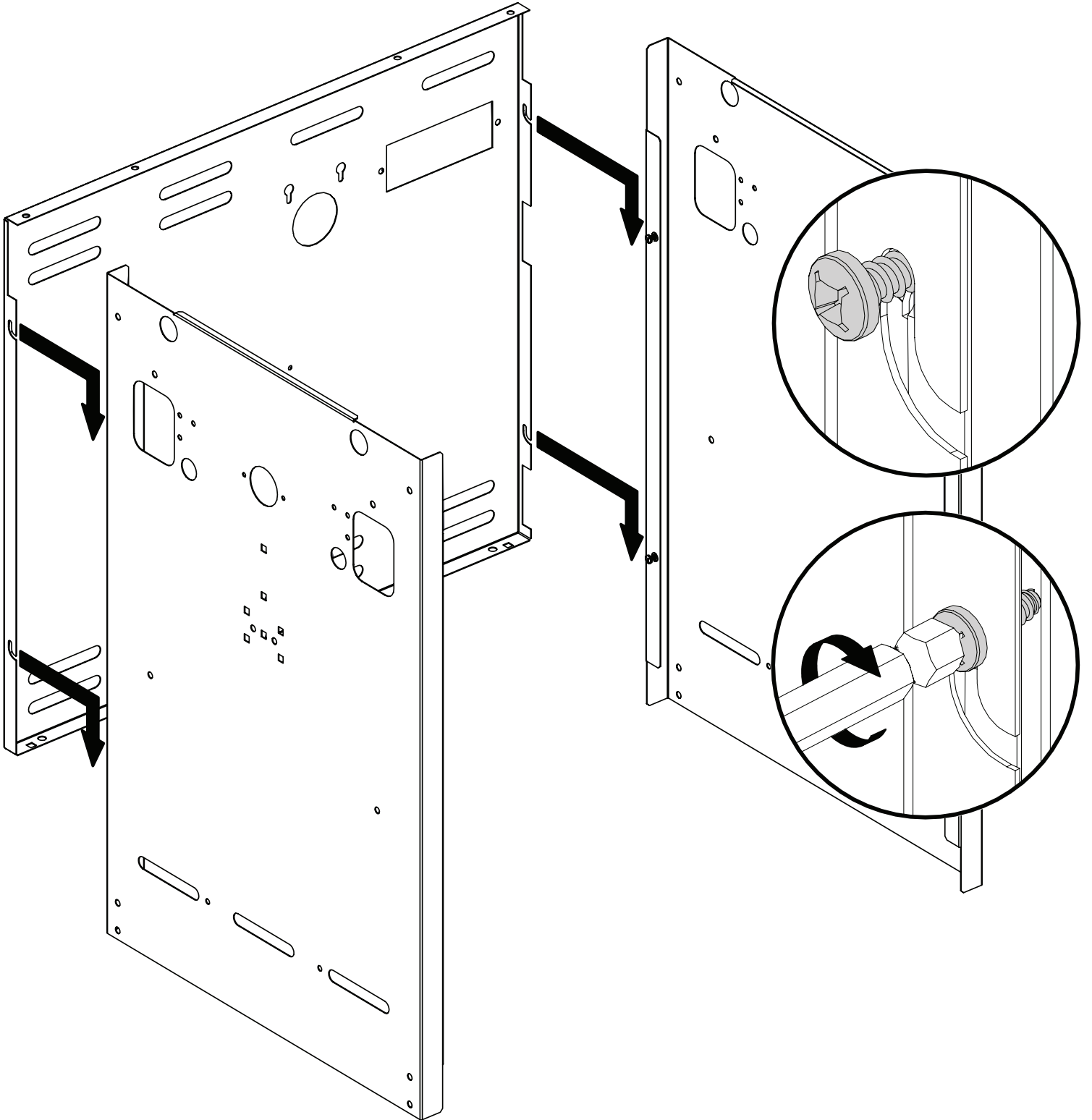
HARDWARE INCLUDED / MATERIAL INCLUS

S21124		(4)	Y-29304		(2)
Y-12865		(22)	32001-151		(4)
Y-11551		(2)	Y-12124		(2)
56039-211A		(1)	Y-12229		(1)
S21235		(2)	S21233		(2)
20005-000				(1)	
 <p>#2 ROBERTSON</p>		 <p>#3 ROBERTSON</p>			

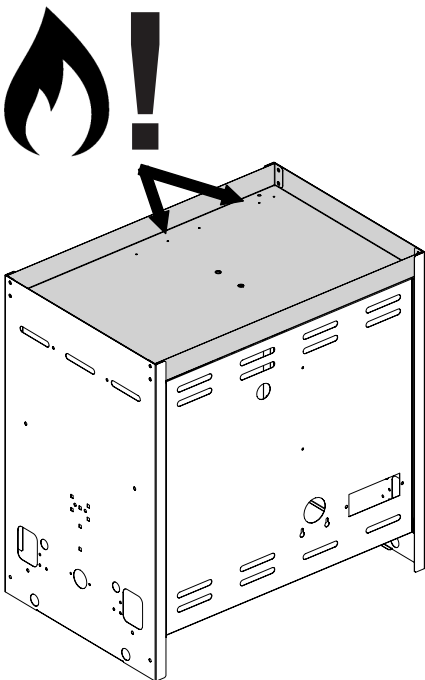
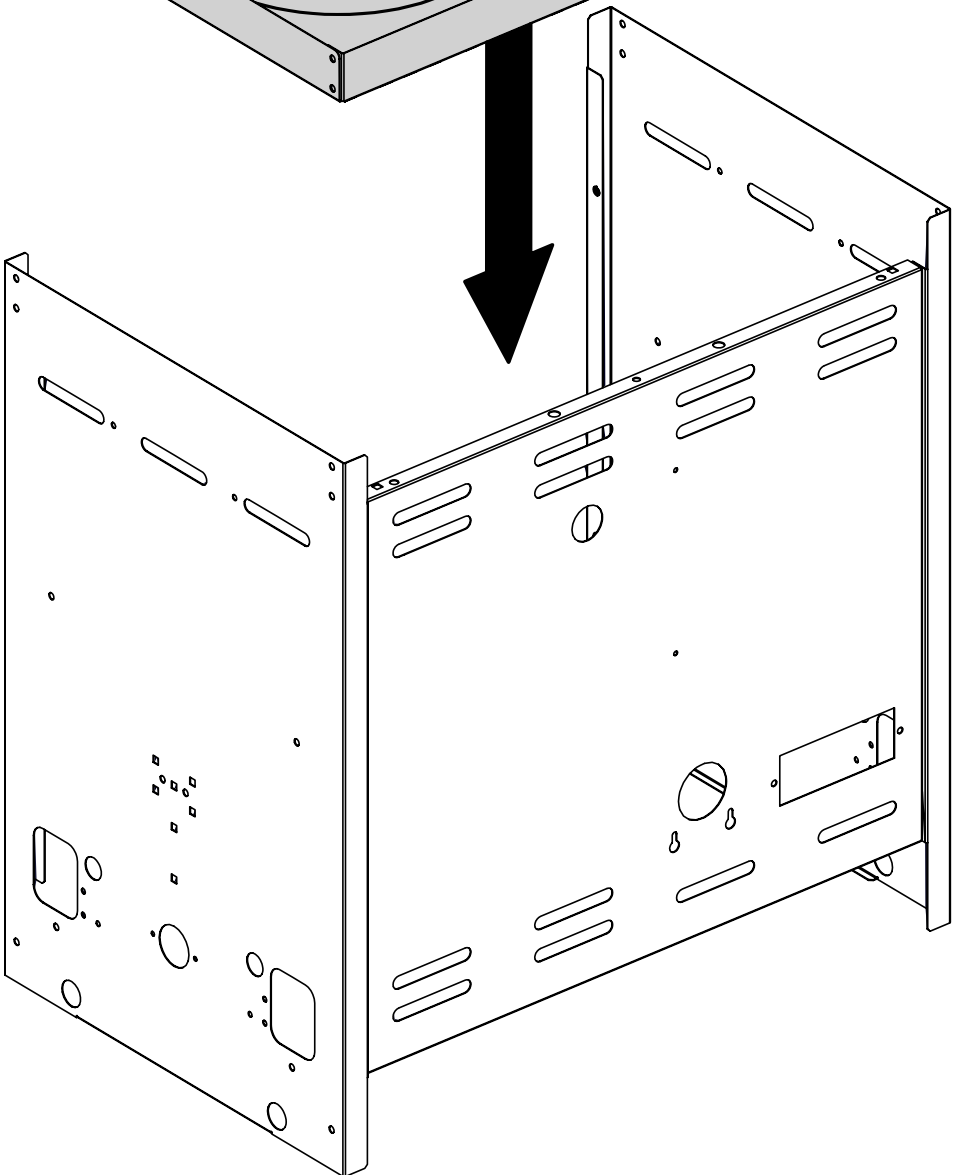
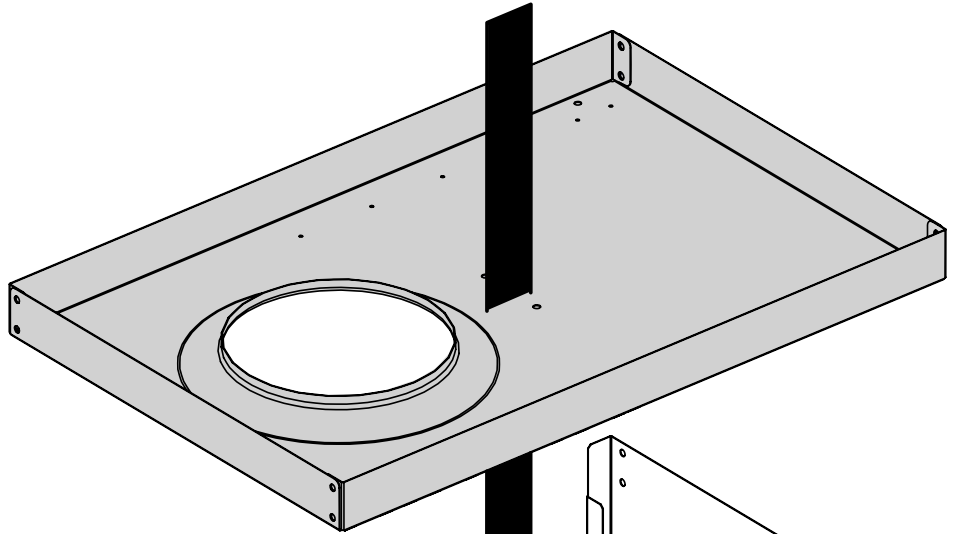
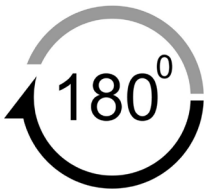
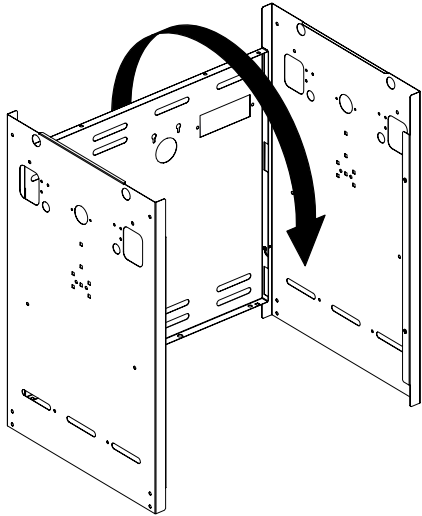
TOOLS REQUIRED / OUTILS NECESSAIRES



1

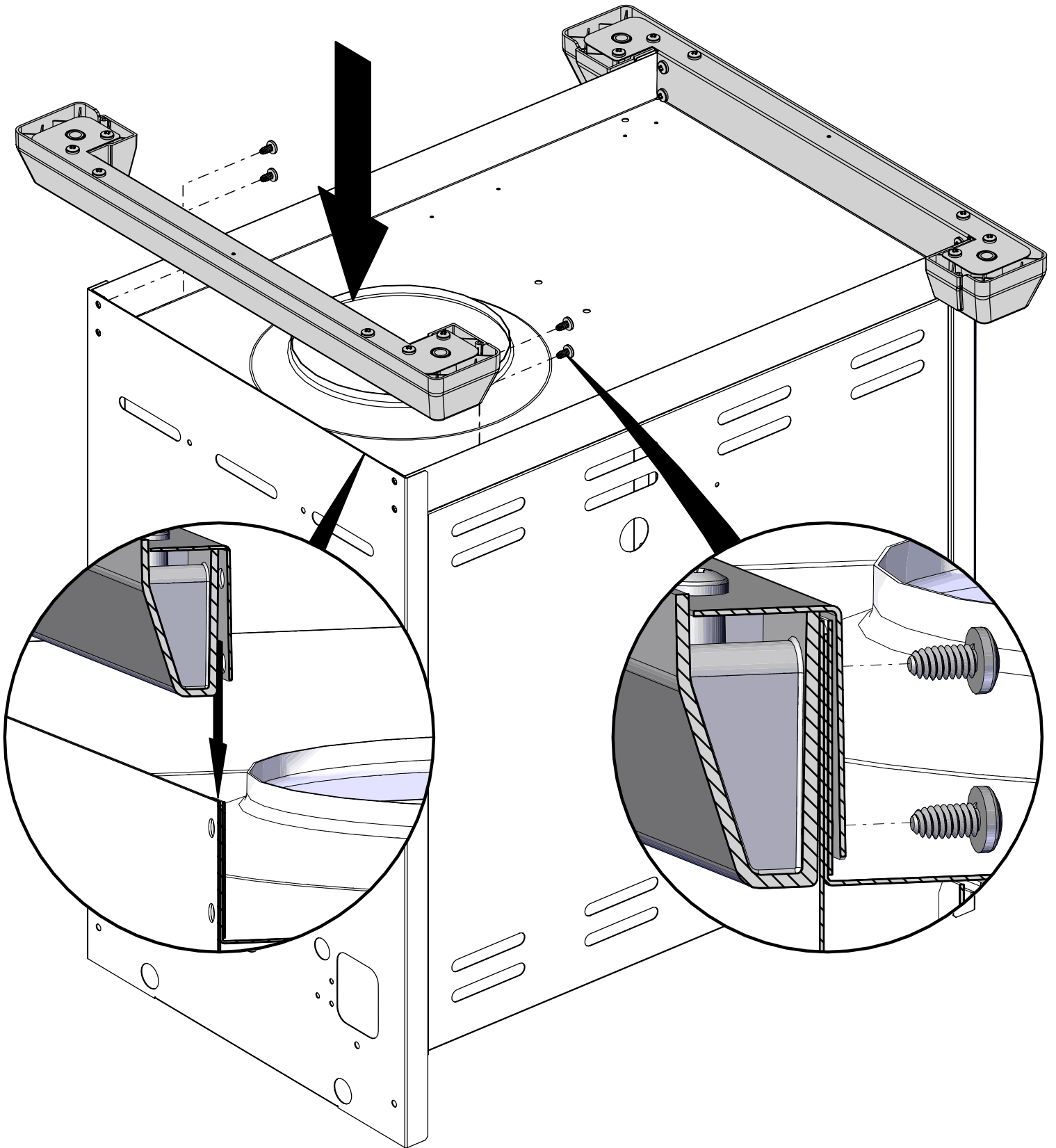
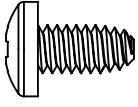


2



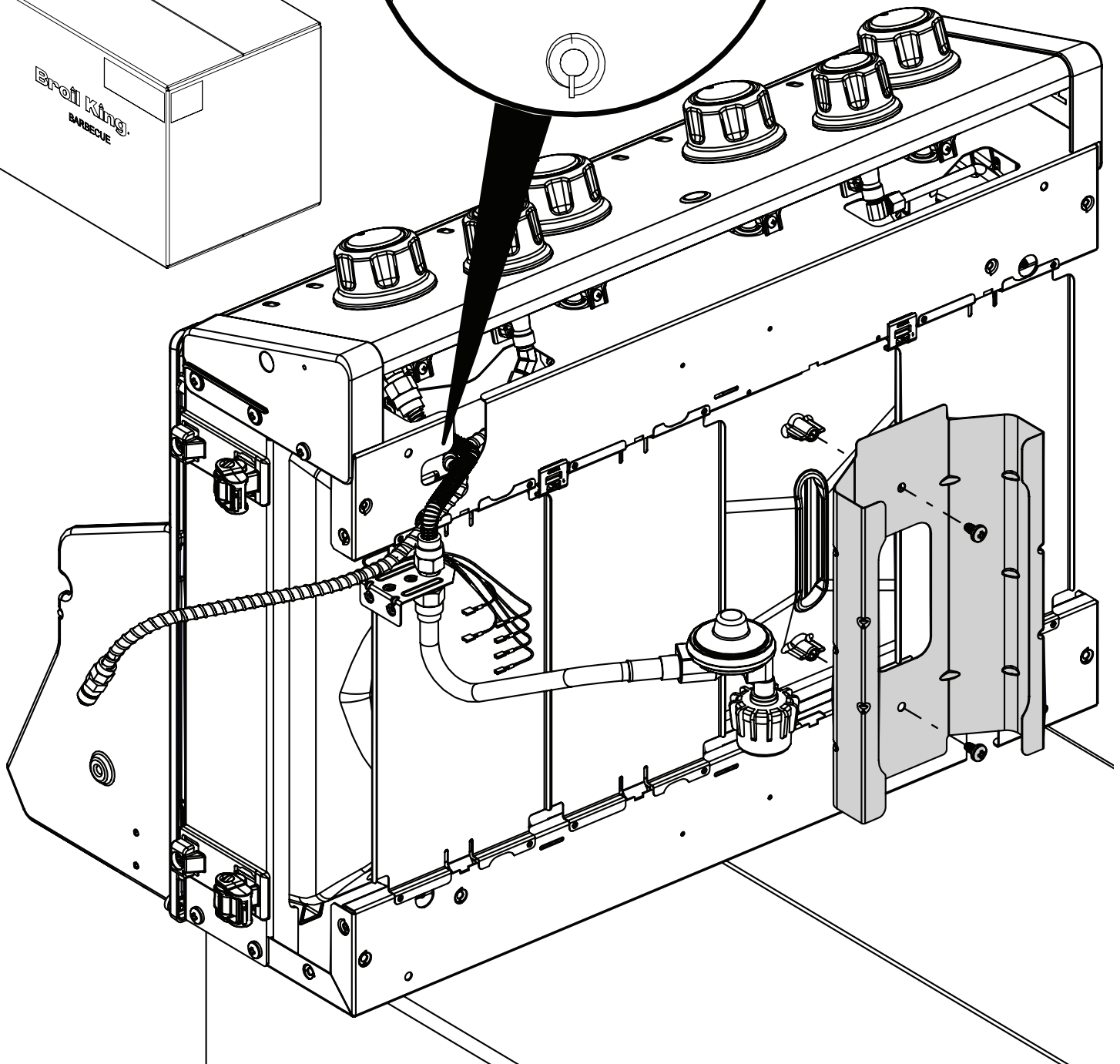
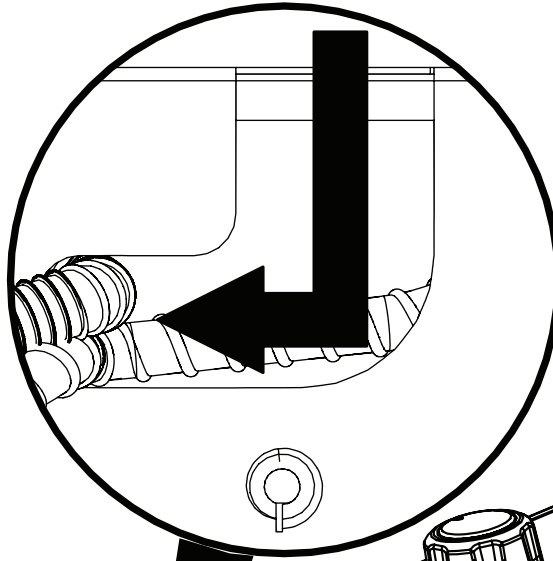
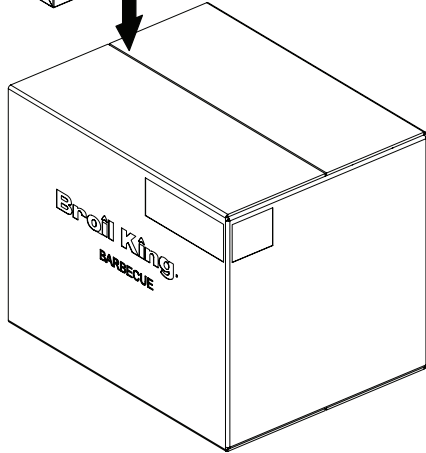
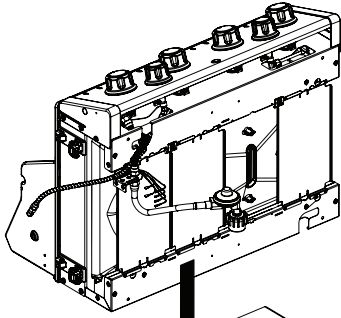
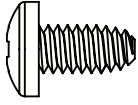
3

(8)

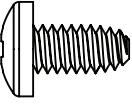


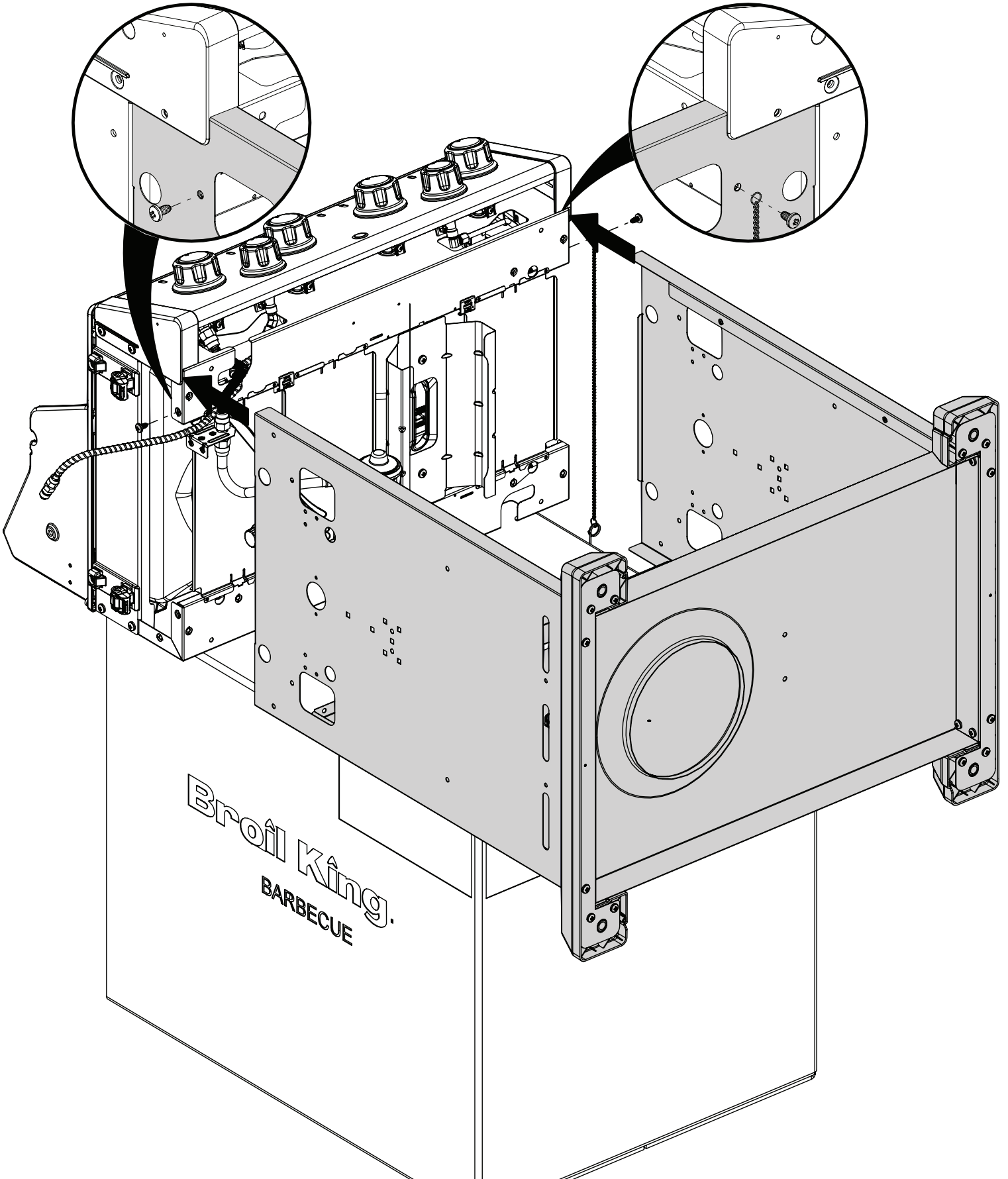
4

(2)

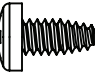


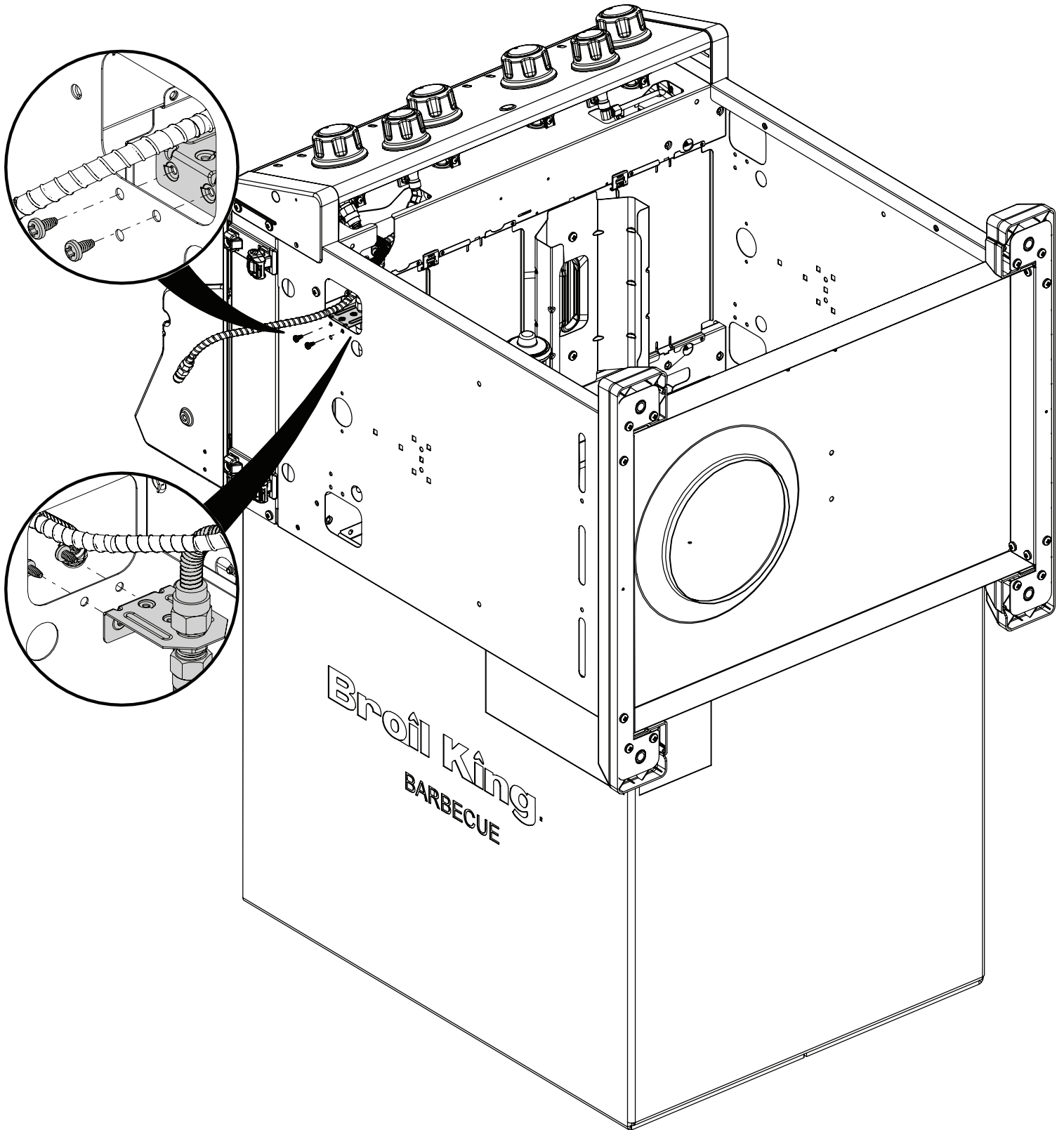
5

(2)  (1)

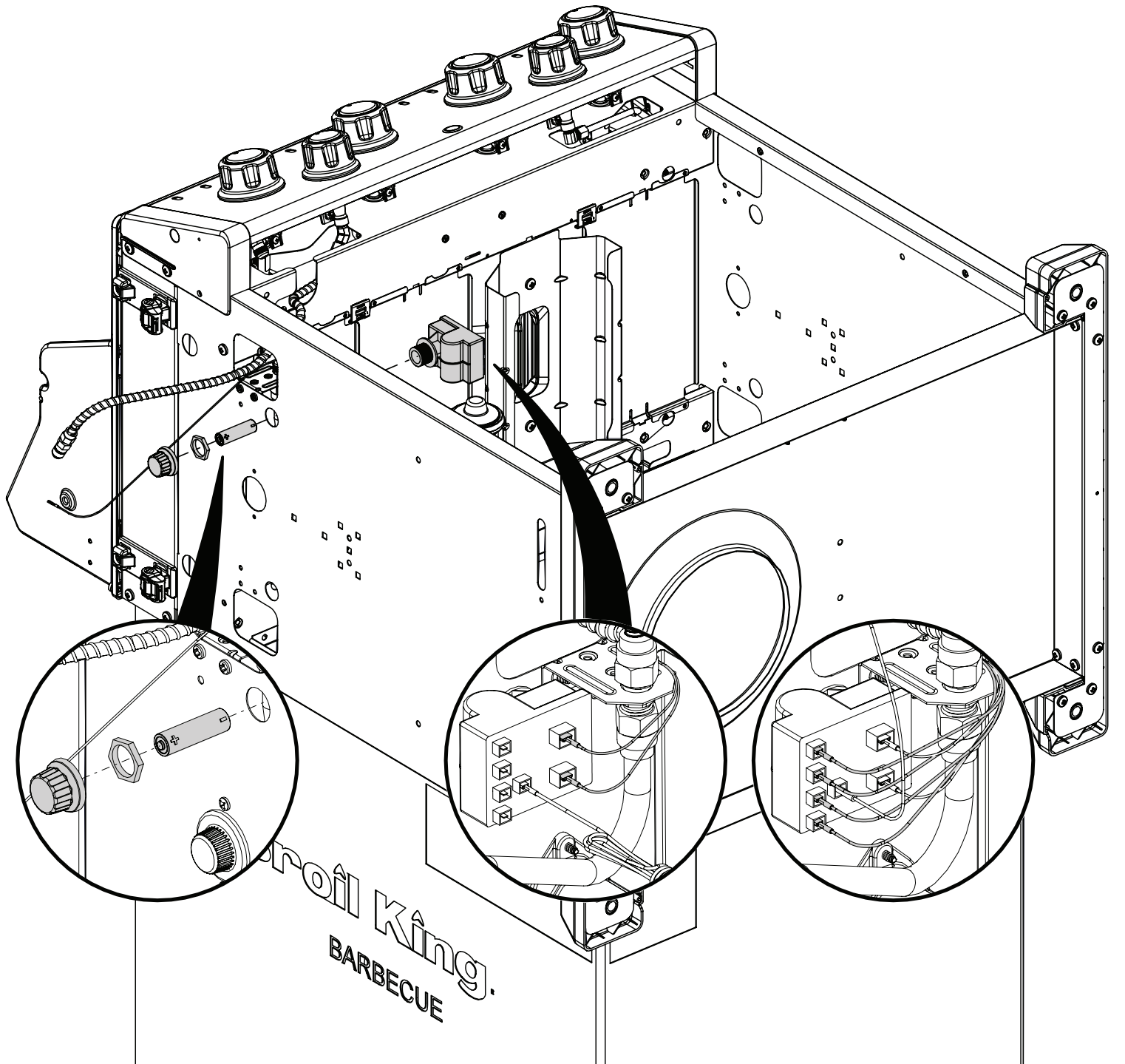
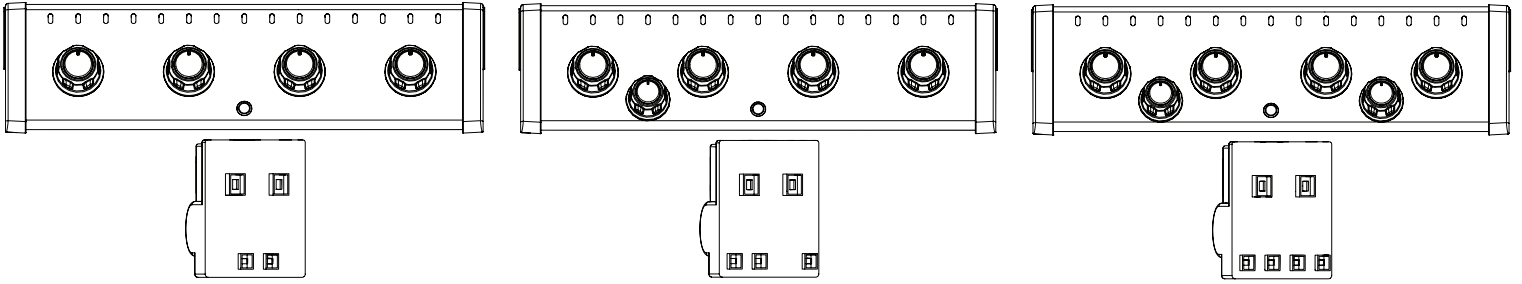


6

(2) 



7

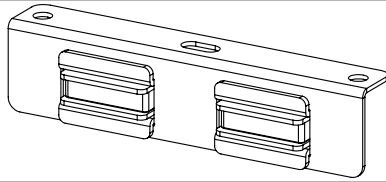


Proil King.
BARBECUE

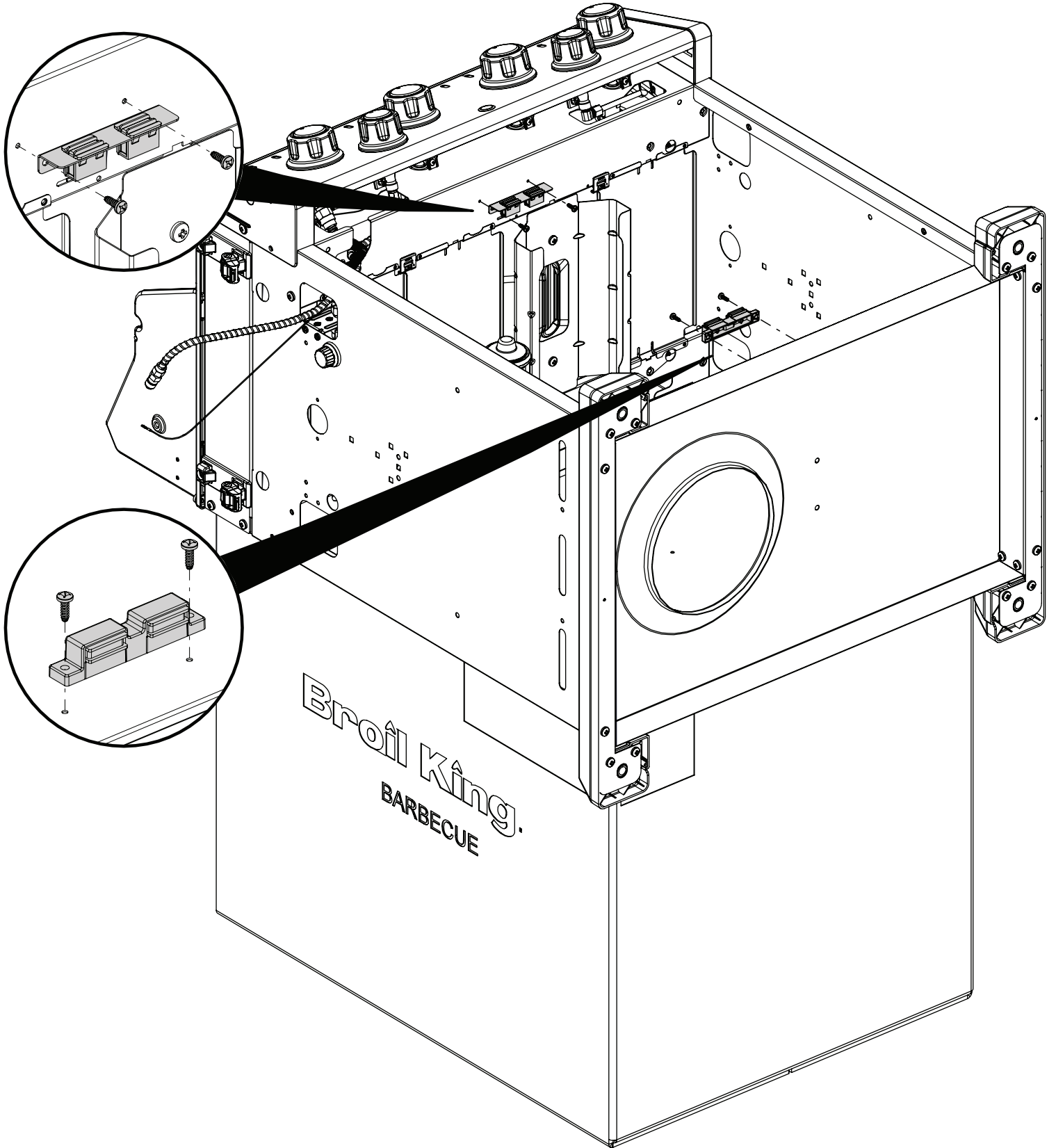
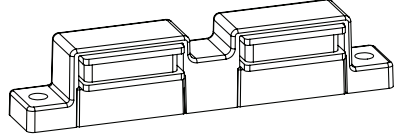
8

(4) 

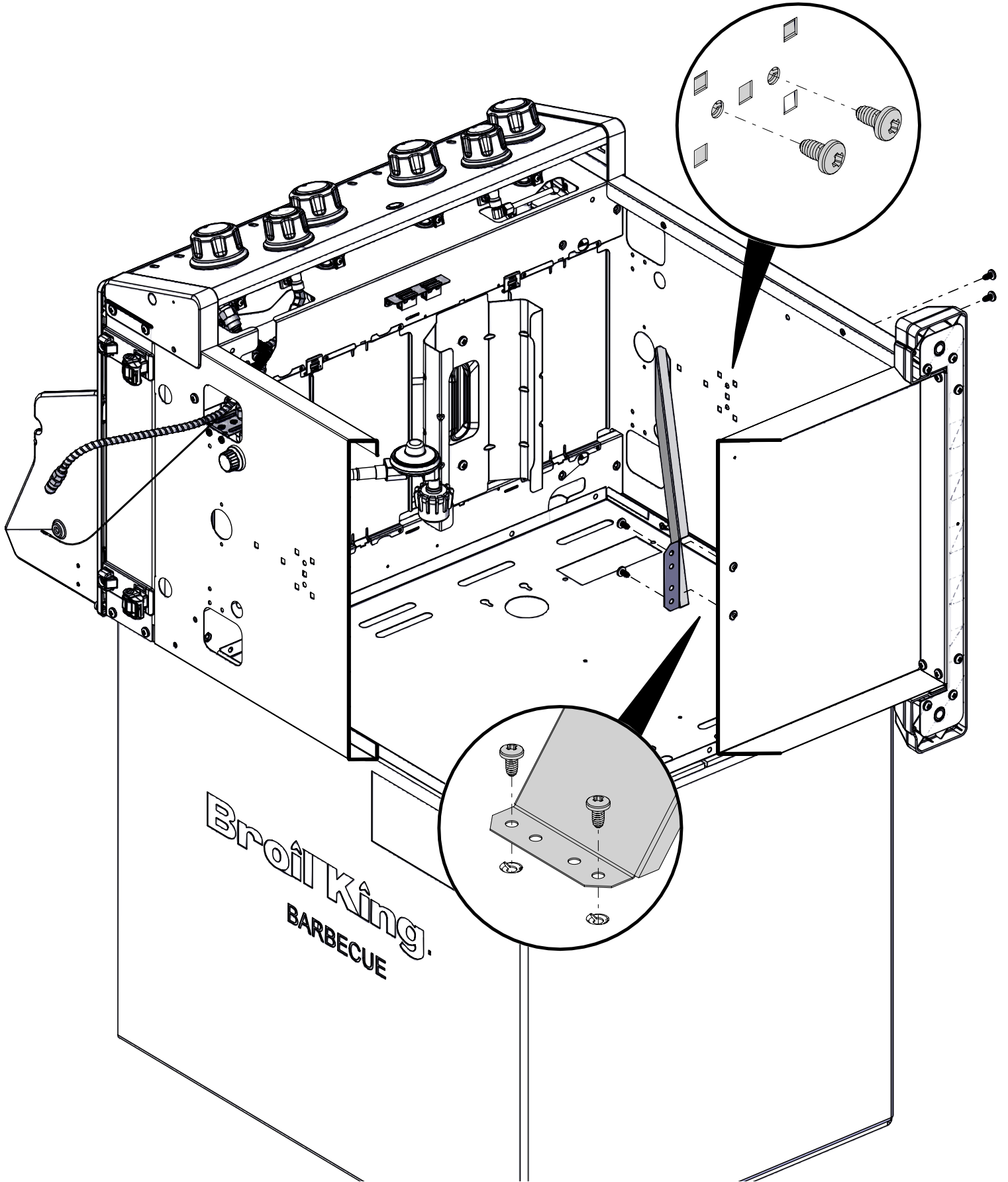
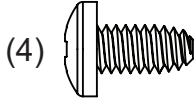
(1)



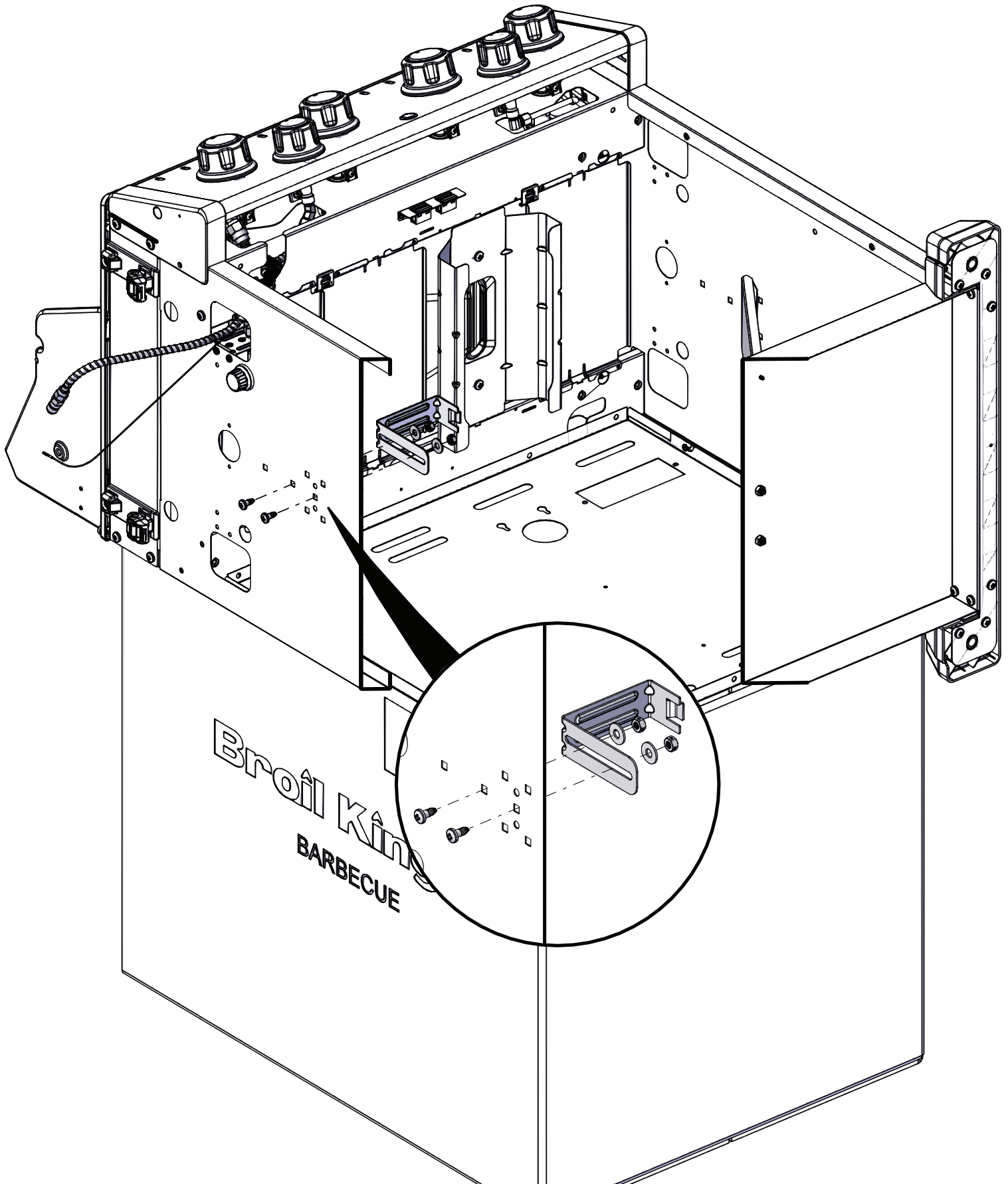
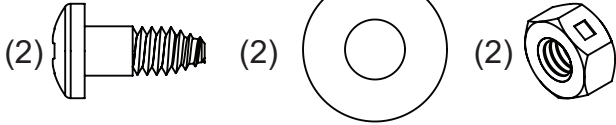
(1)



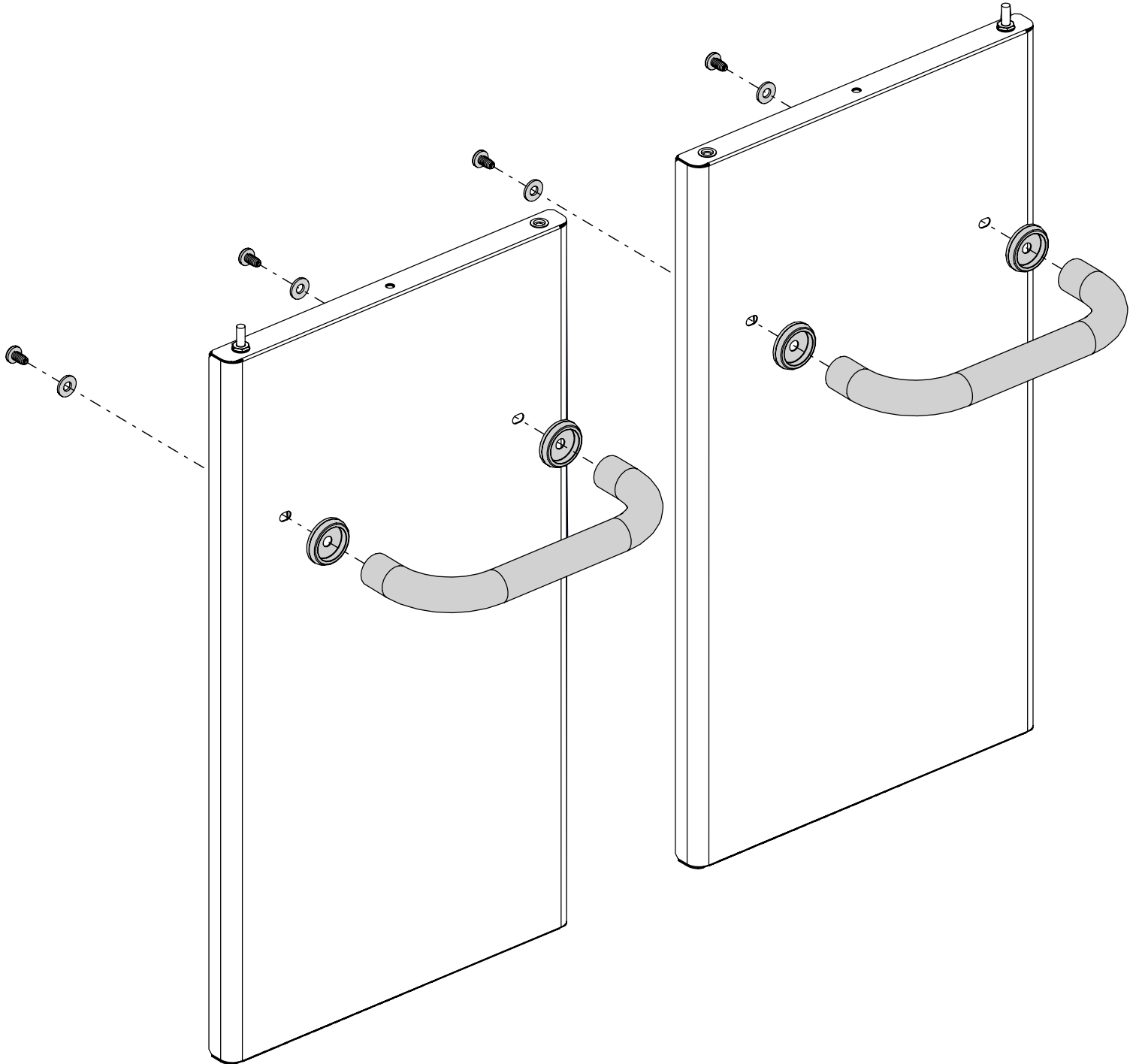
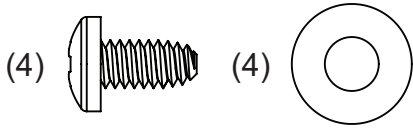
9



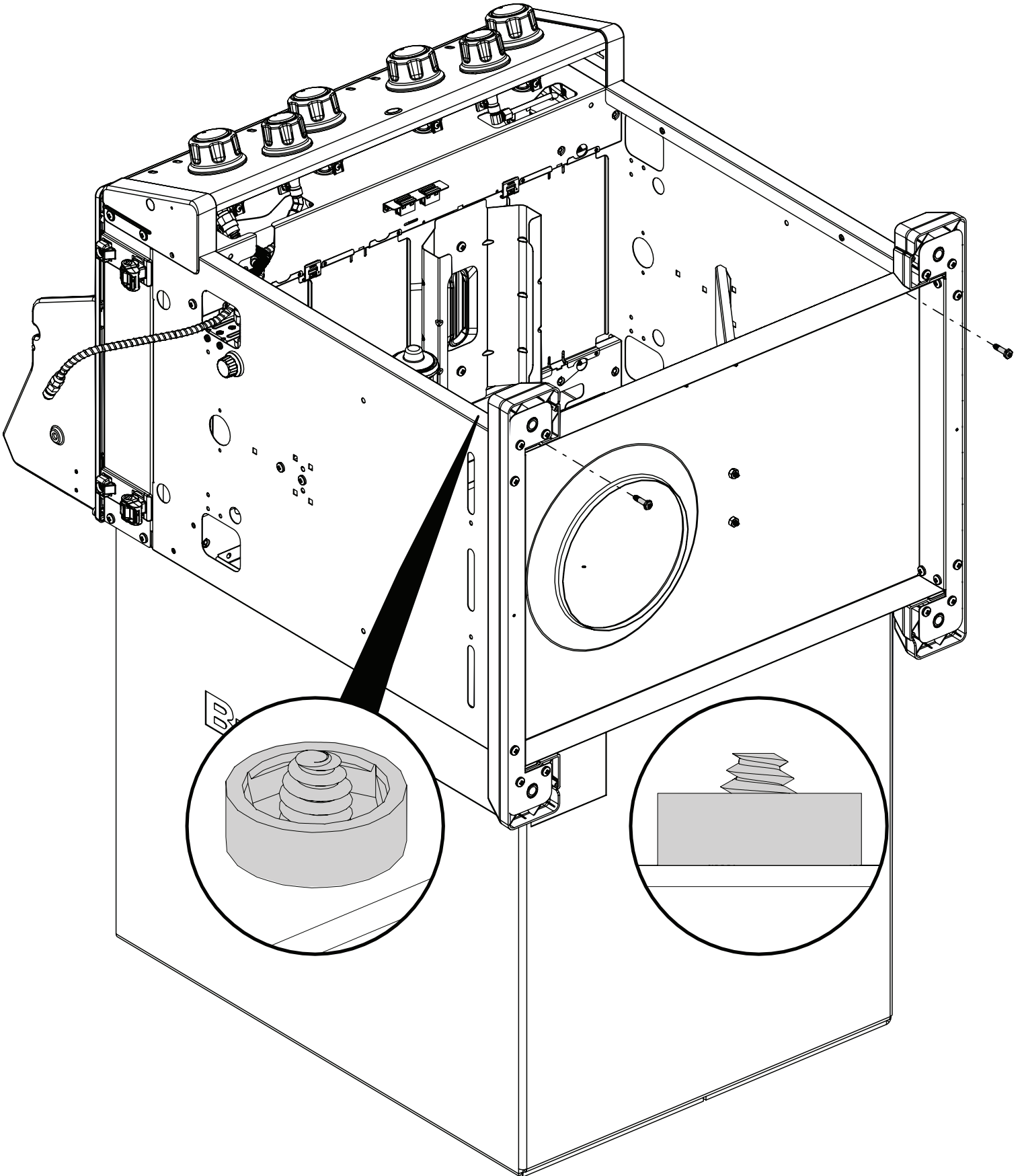
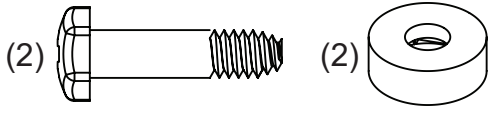
10

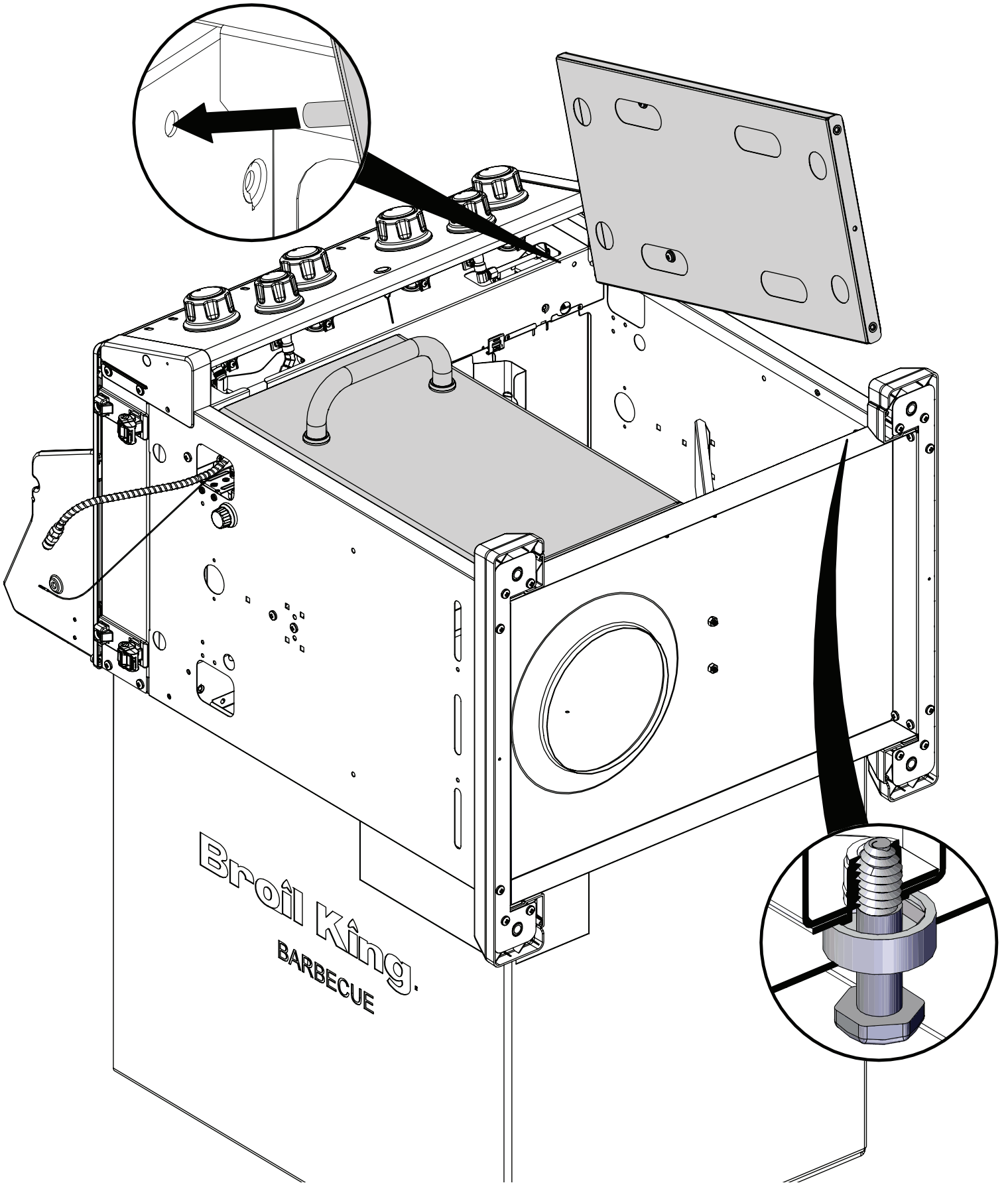


11



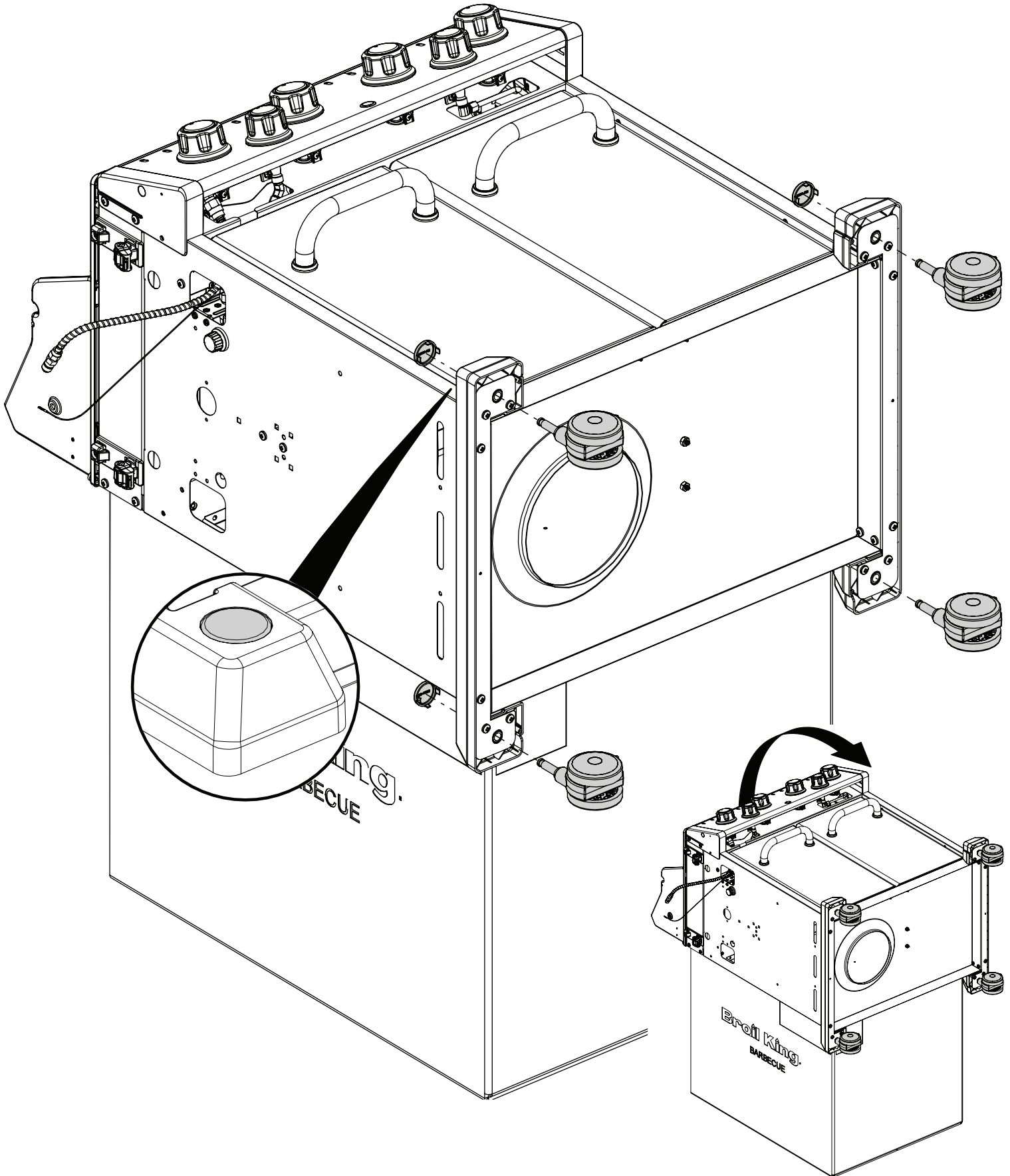
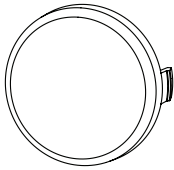
12





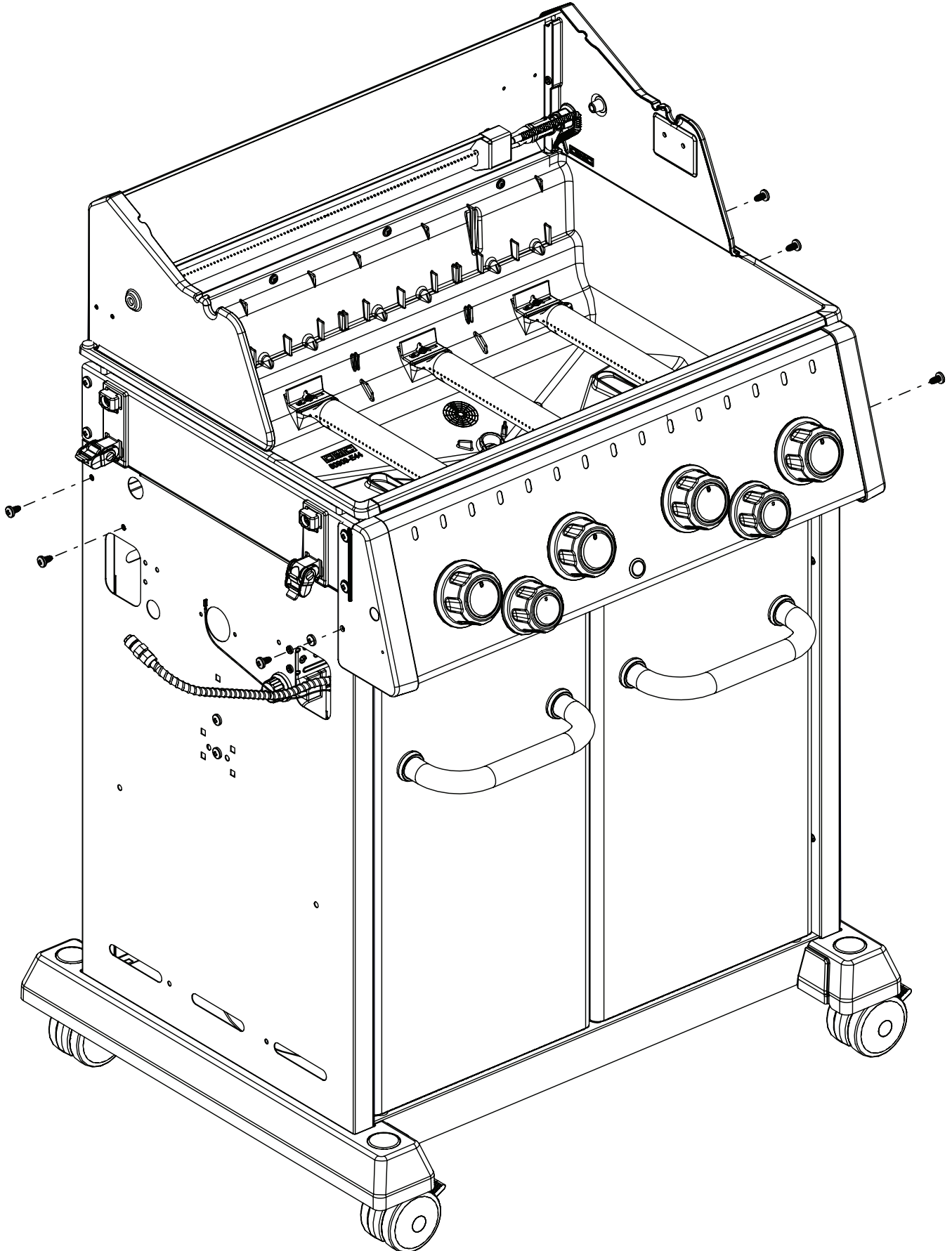
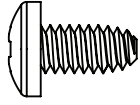
14

(4)

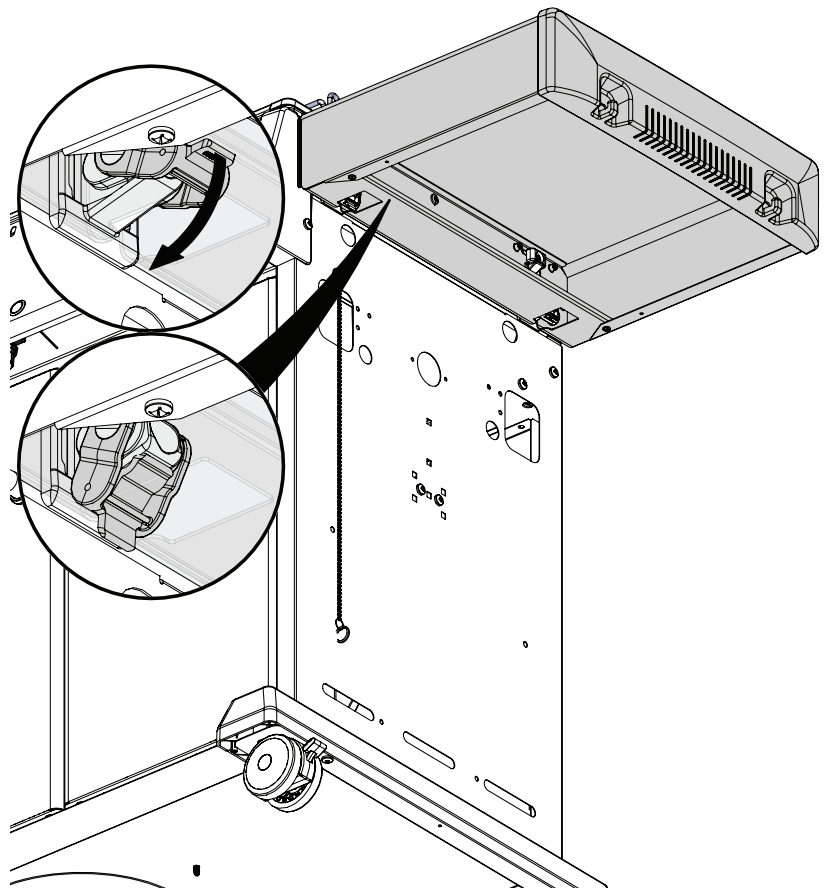
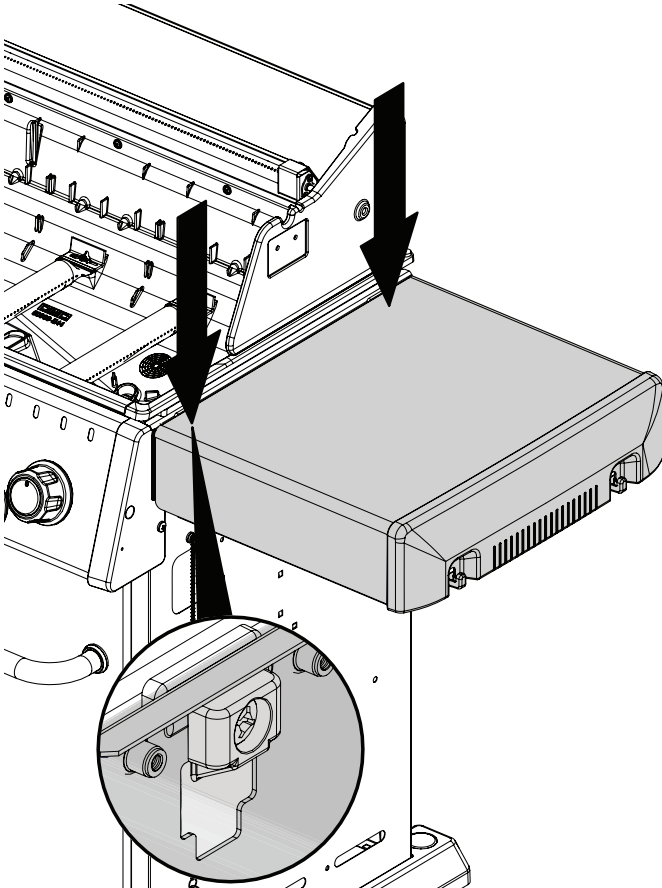
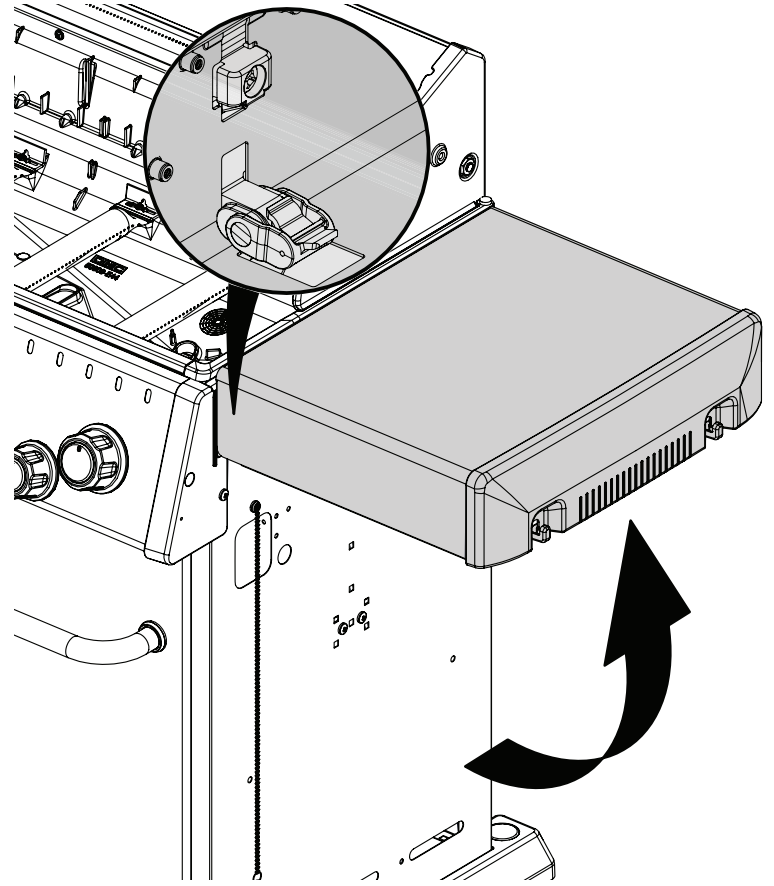
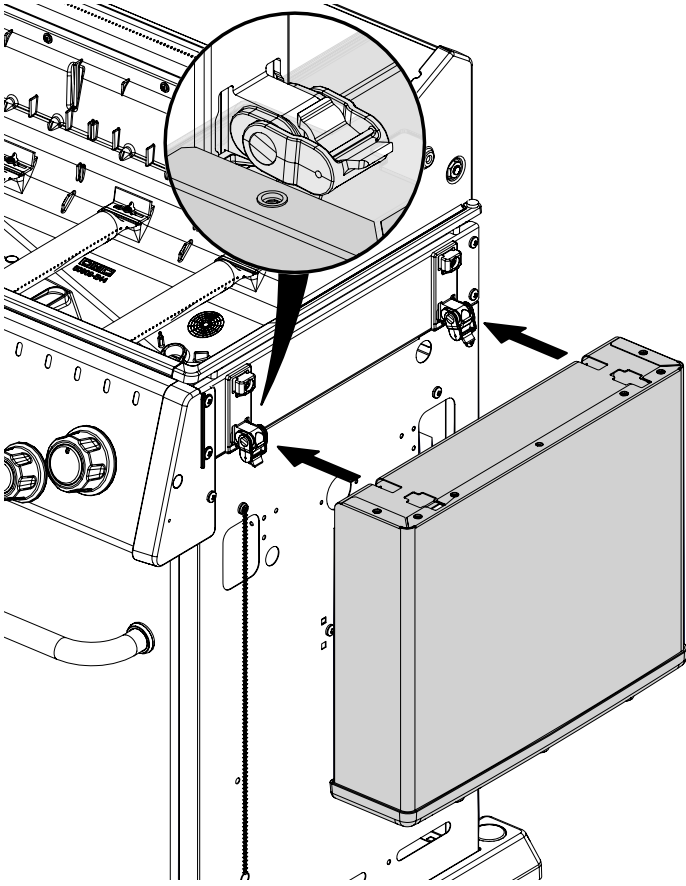


15

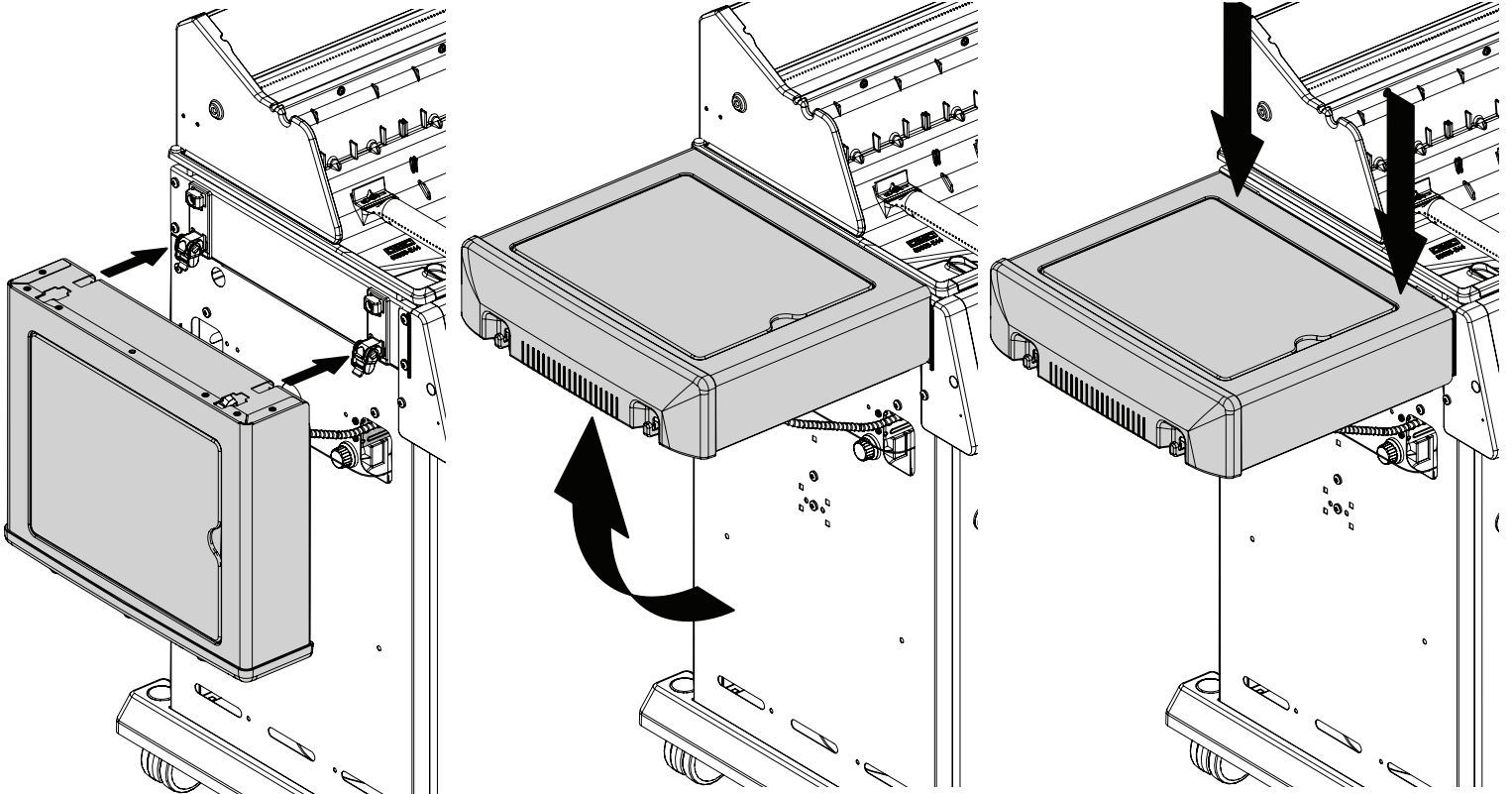
(6)



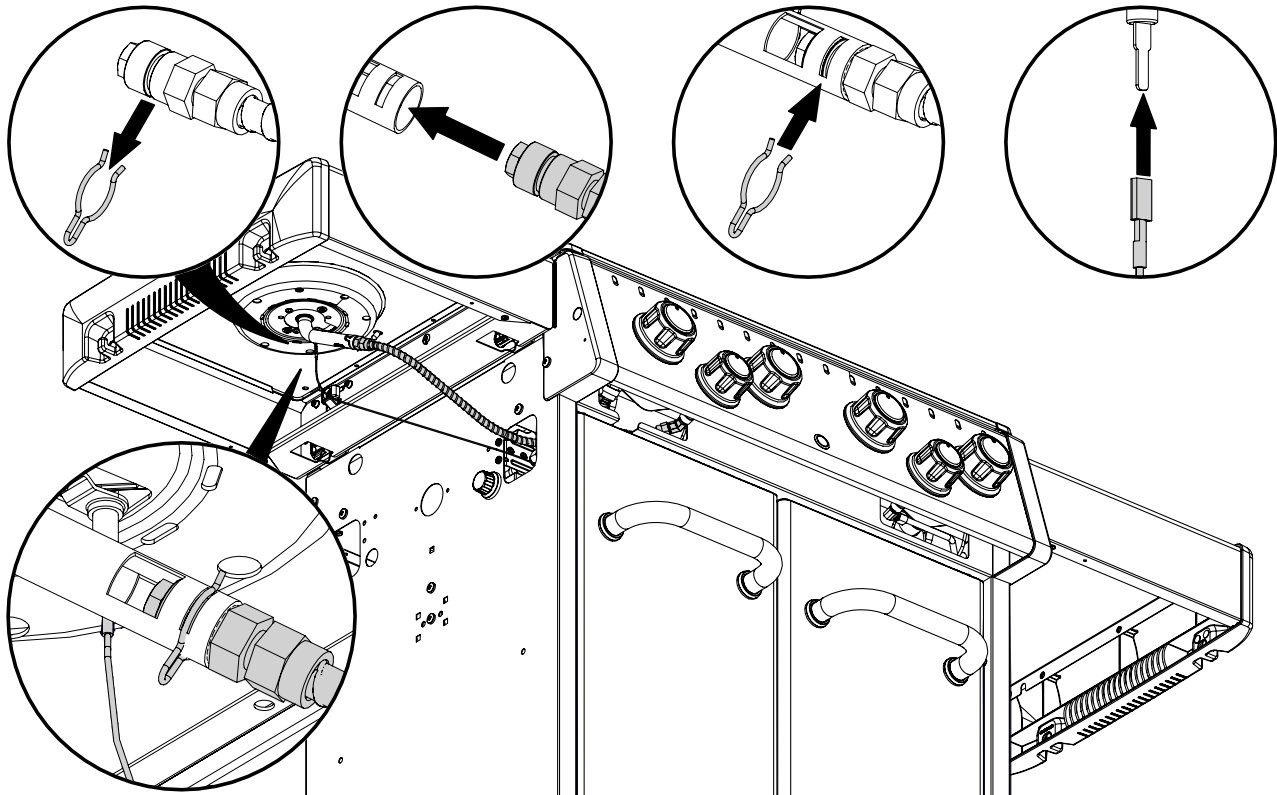
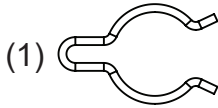
16

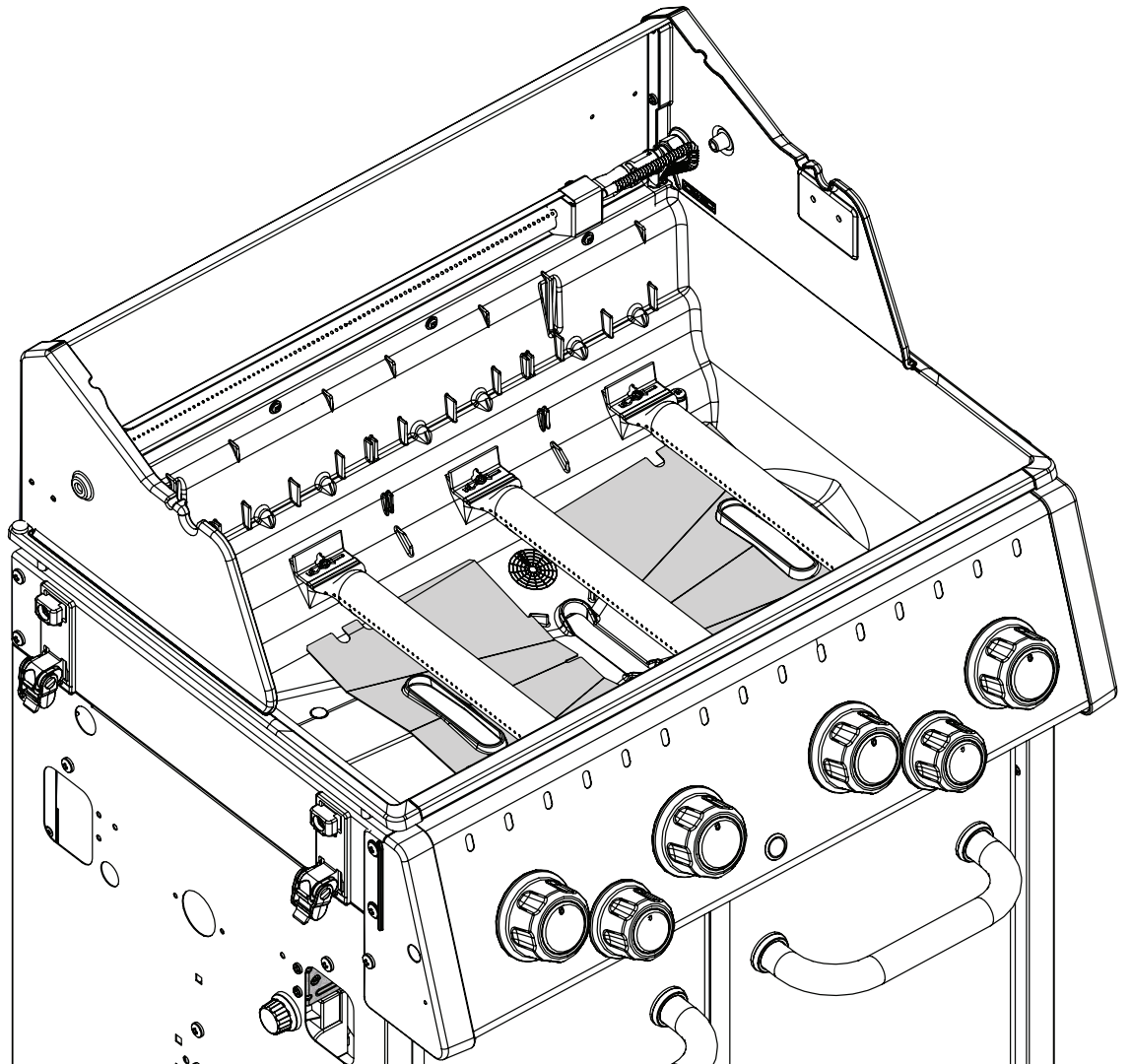
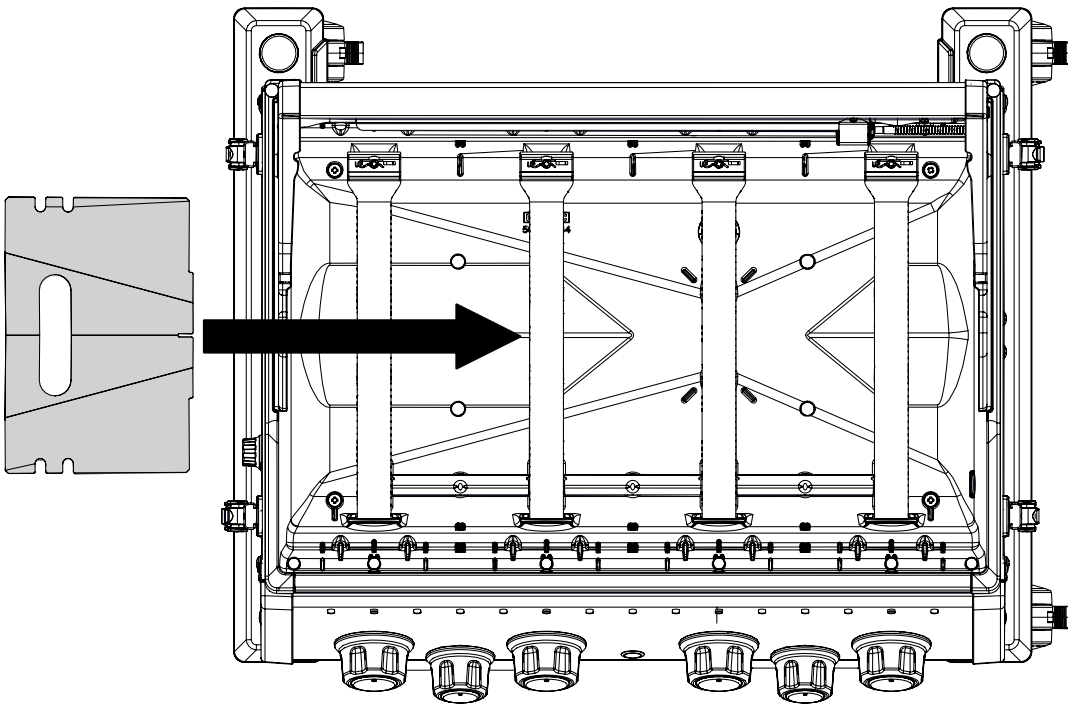


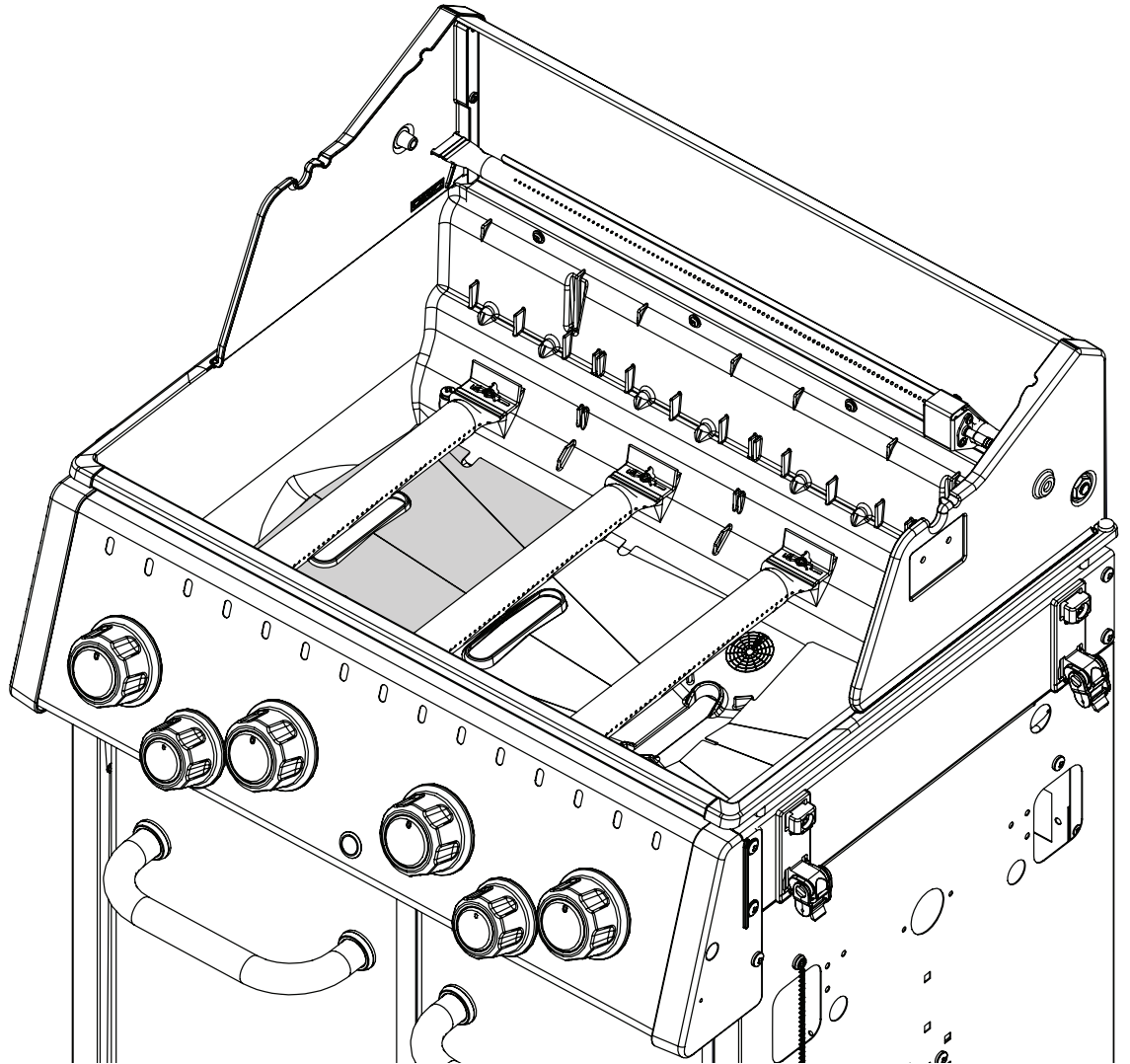
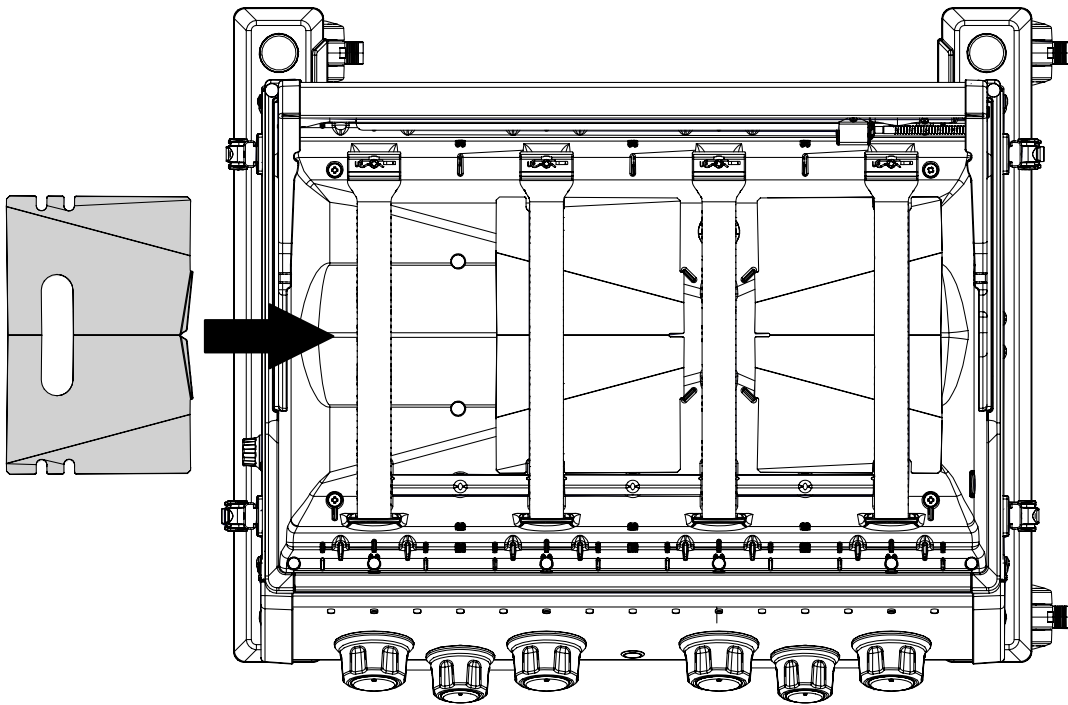
17



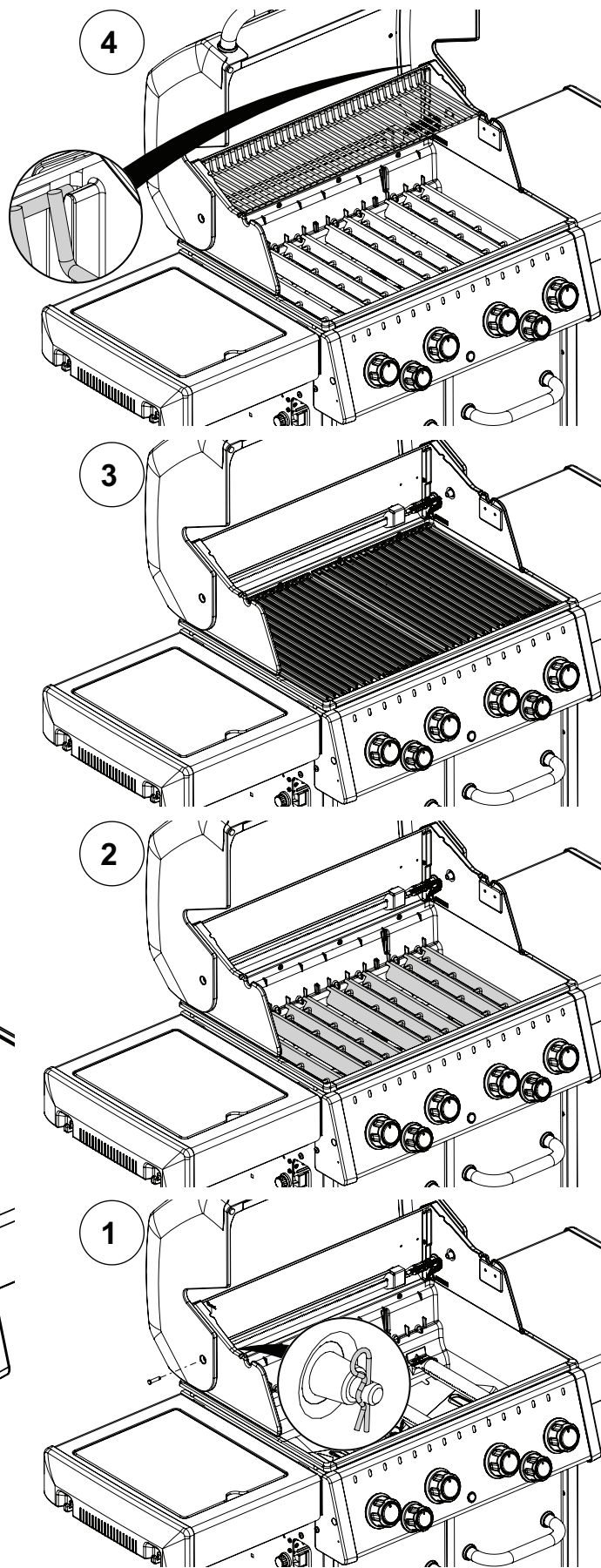
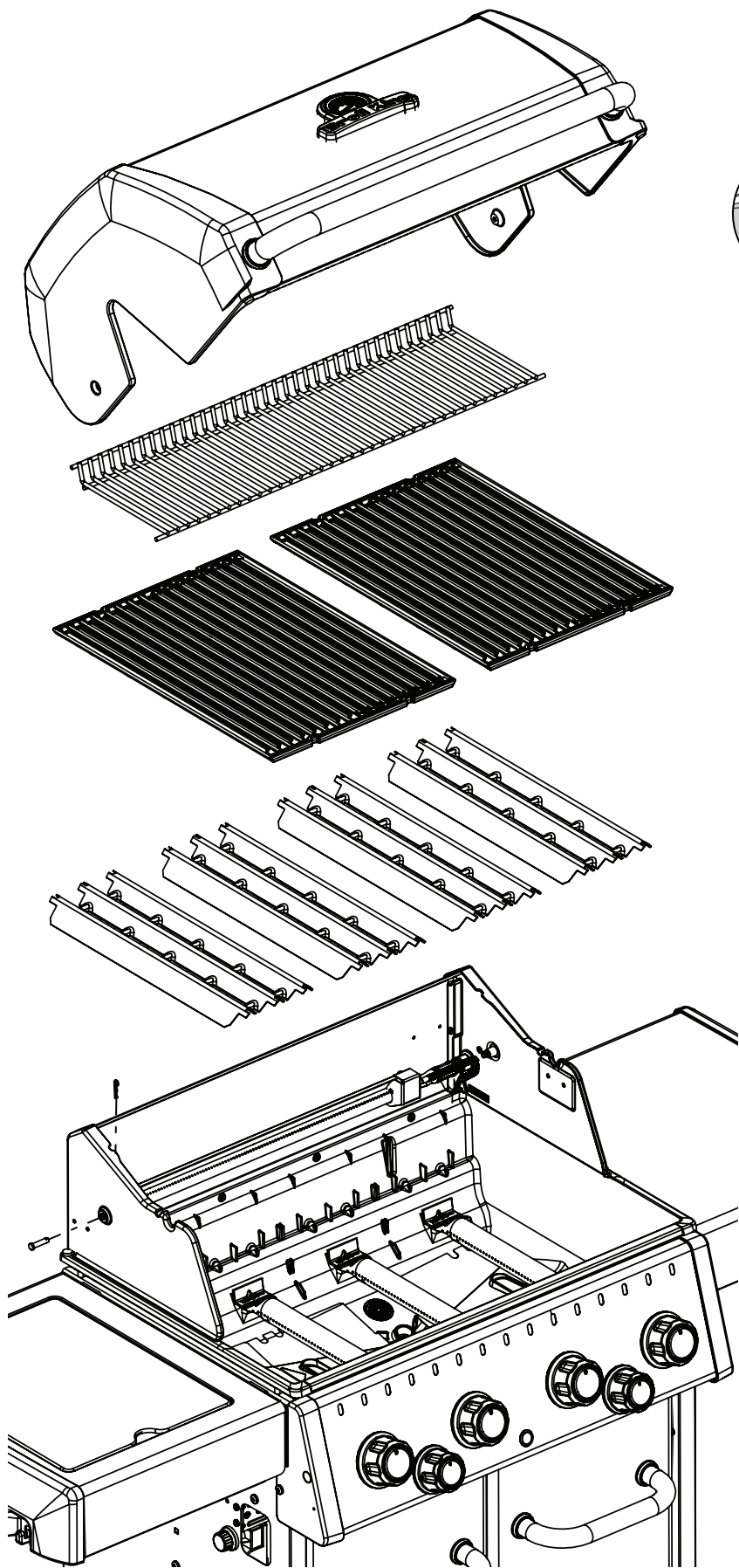
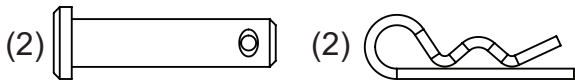
18

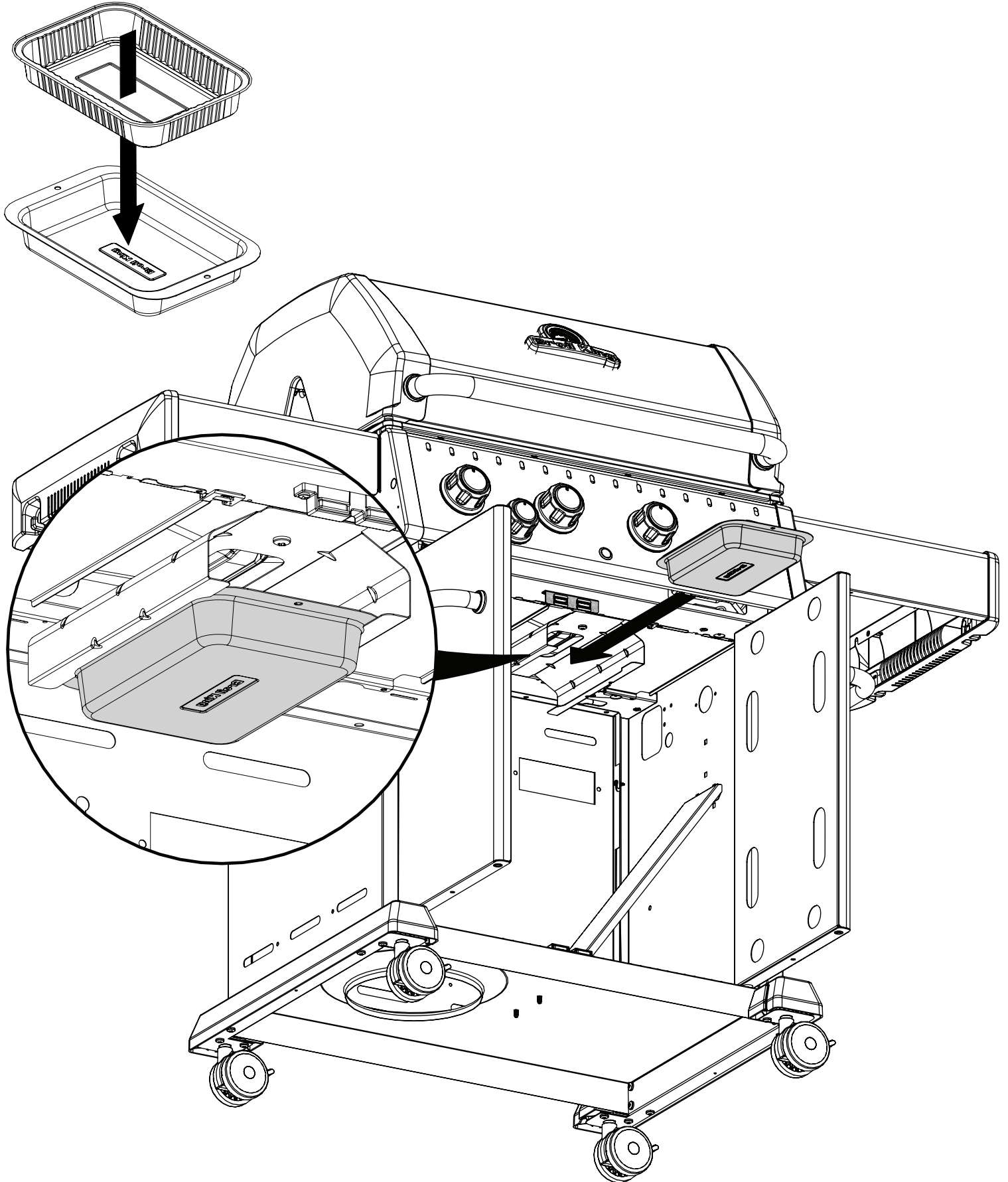




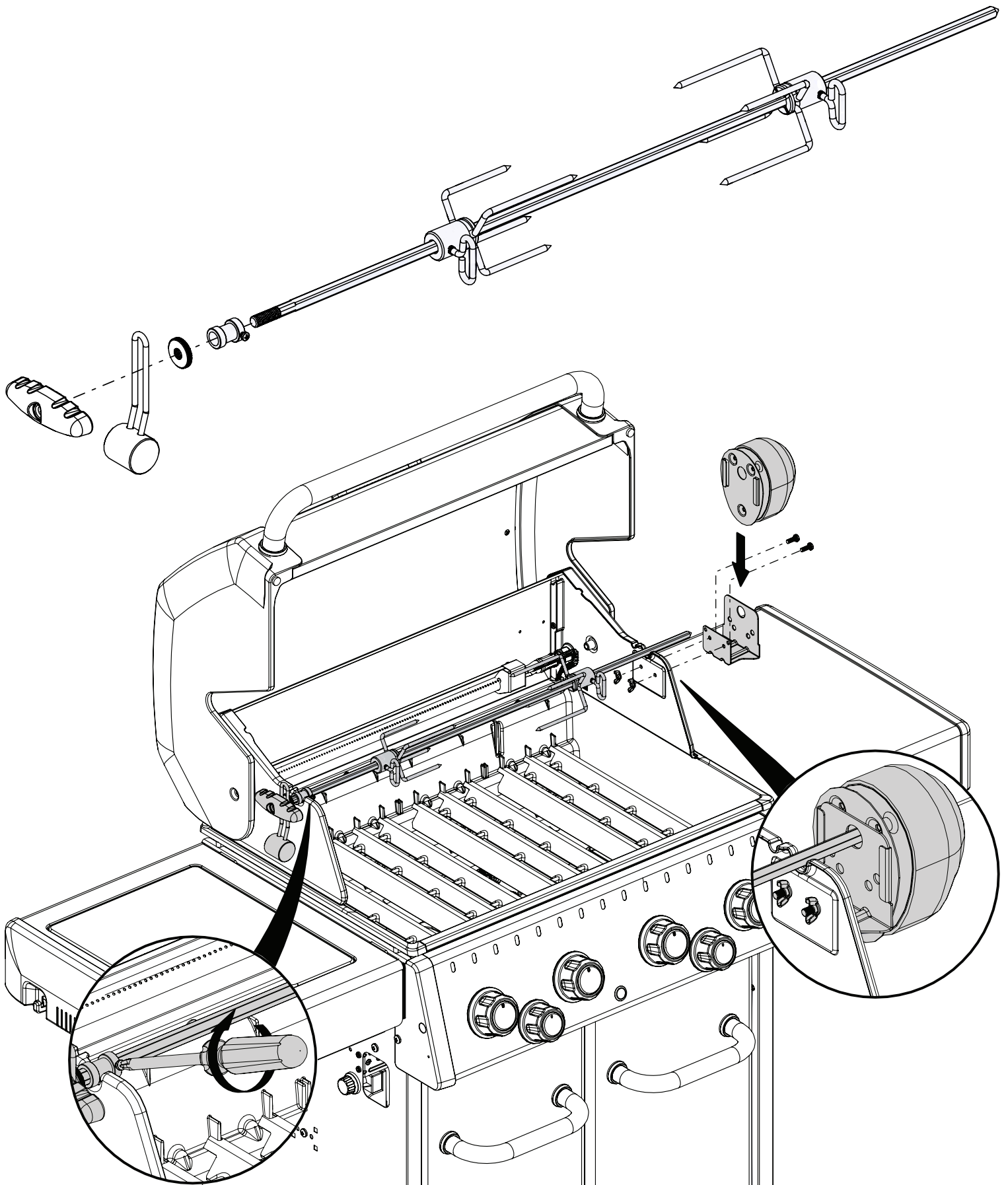
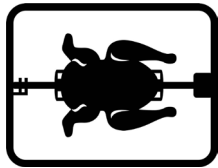


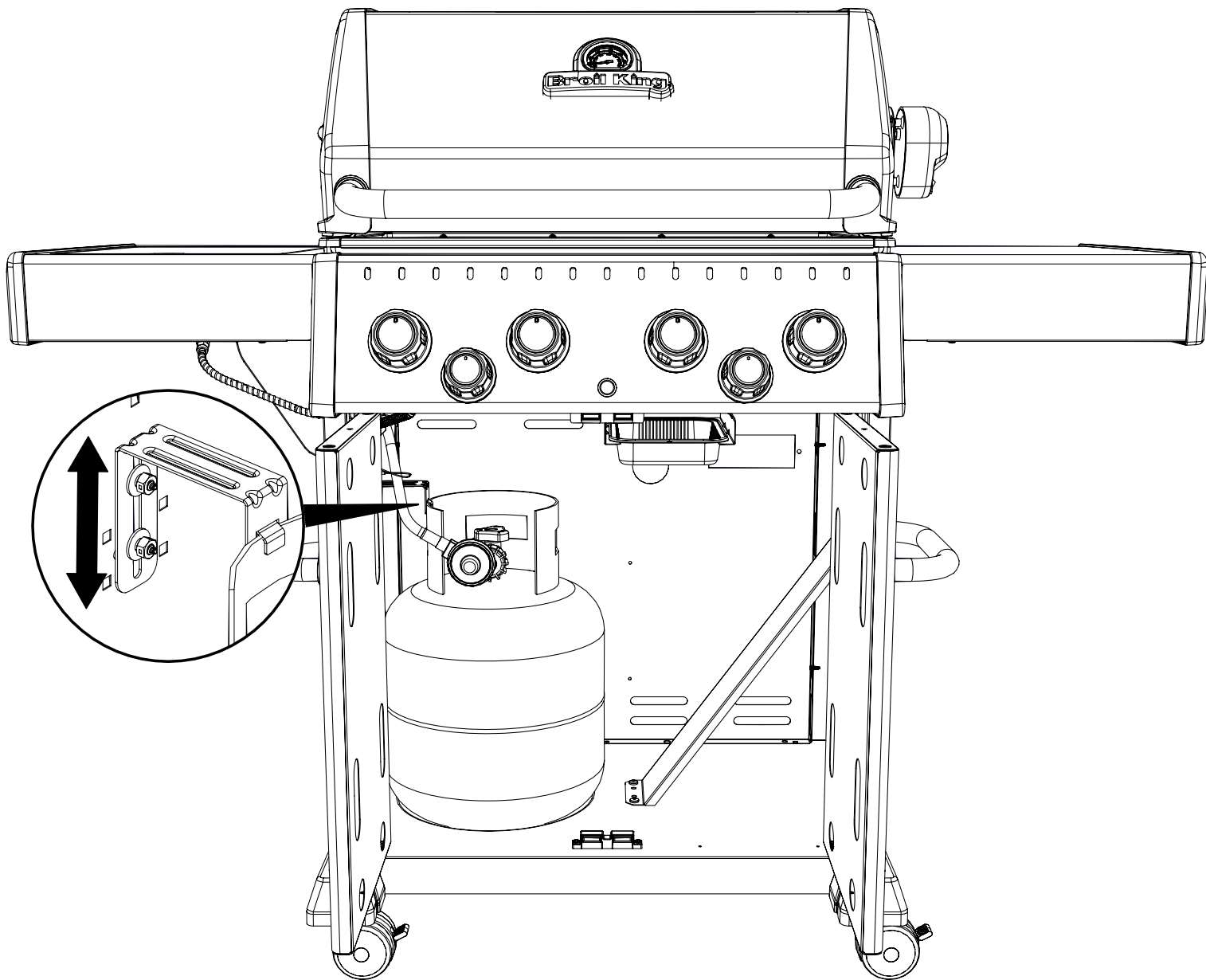
21





23





25

