

This Owner's Manual is provided and hosted by [Appliance Factory Parts](#).



Broil King 8752-24 Owner's Manual

[Shop genuine replacement parts for Broil King 8752-24](#)



[Find Your Broil King Grill Parts - Select From 1349 Models](#)

----- Manual continues below -----

Broil King®

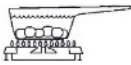
ASSEMBLY MANUAL & PARTS LIST - MANUEL DE MONTAGE & LISTE DE PIÈCES



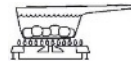
Broil King
BARON 420 PRO
8752-14
8752-17
BARON 420
8752-54
8772-57



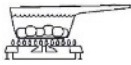
Broil King
BARON S 420 PRO
8753-14
8753-17



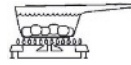
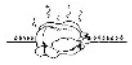
Broil King
BARON 440 PRO
8752-24
8752-27
BARON 440
8752-64
8752-67



Broil King
BARON S 440 PRO
8753-24
8753-27



Broil King
BARON 490 PRO
8752-44
8752-47
BARON 490
8752-84
8752-87



Broil King
BARON S 490 PRO
8753-44
8753-47



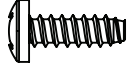
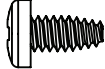
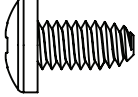
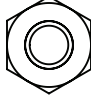
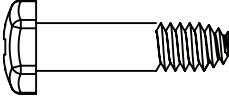

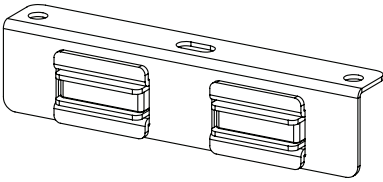
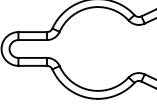
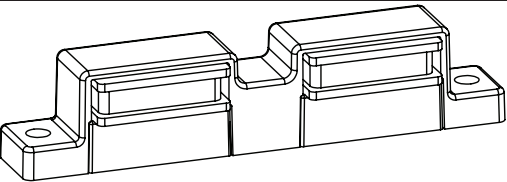
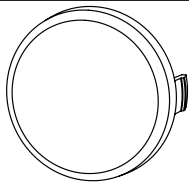
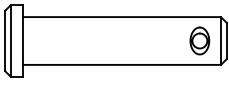
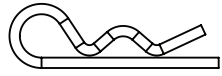
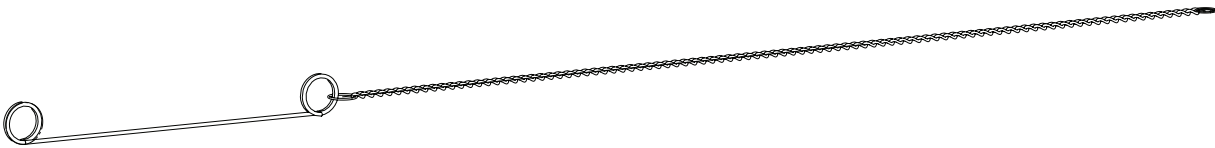
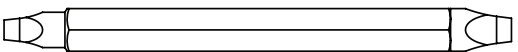
RETAIN FOR FUTURE REFERENCE - VEUILLEZ CONSERVER POUR REFERENCE ULTERIEURE

Onward
MANUFACTURING COMPANY
SINCE 1906
585 KUMPF DRIVE LIMITED
WATERLOO, ONTARIO, CANADA
N2V 1K3

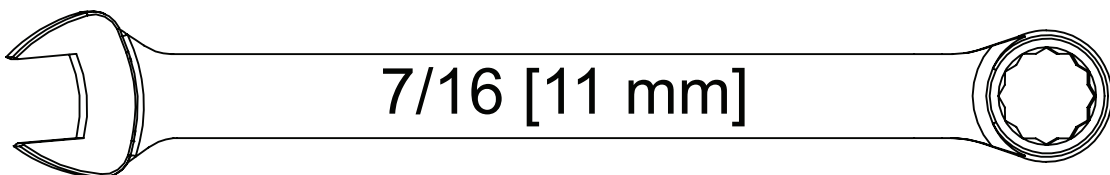
info@omcbbq.com
1-800-265-2150

50084-E70 REV F 10/20

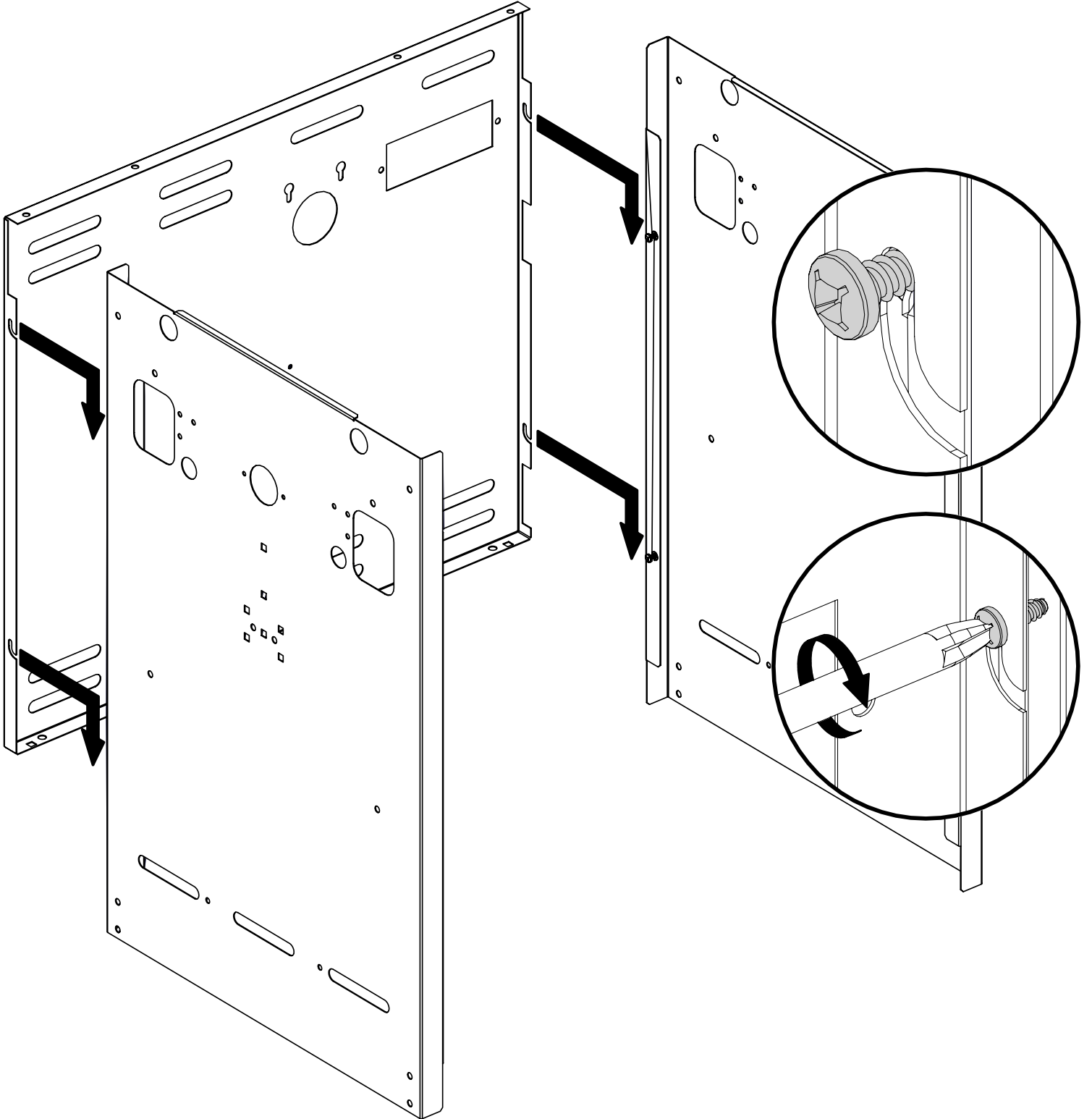
HARDWARE INCLUDED / MATERIAL INCLUS

S21124		(8)	Y-29304		(2)
Y-12865		(22)	Y-11793		(2)
Y-11551		(2)	Y-12124		(2)
56039-211A		(1)	Y-11230		(1)
Y-12229		(1)	32001-151		(4)
S21235		(2)	S21233		(2)
20005-000					(1)
	 <p>#3 ROBERTSON</p> <p>#2 ROBERTSON</p>				

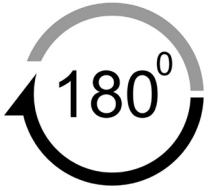
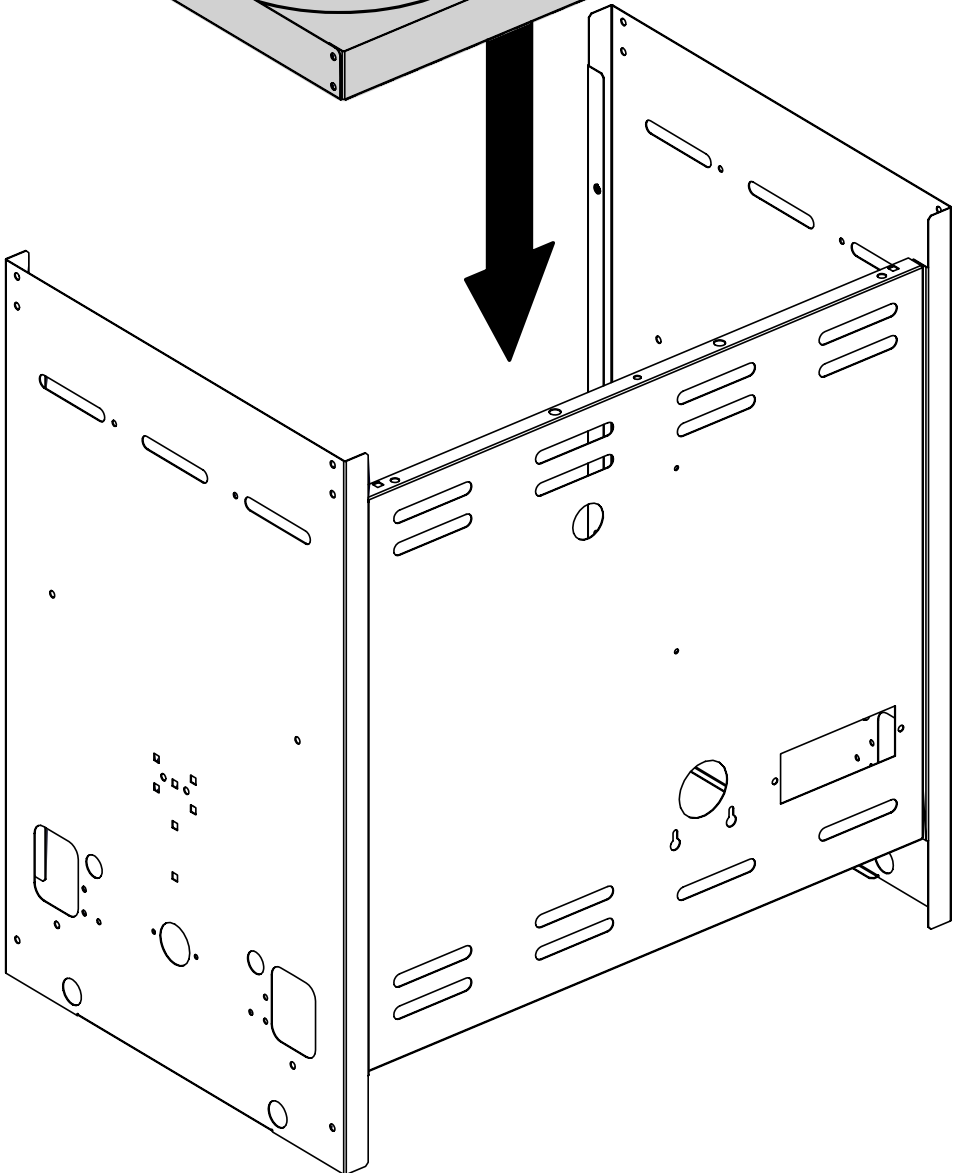
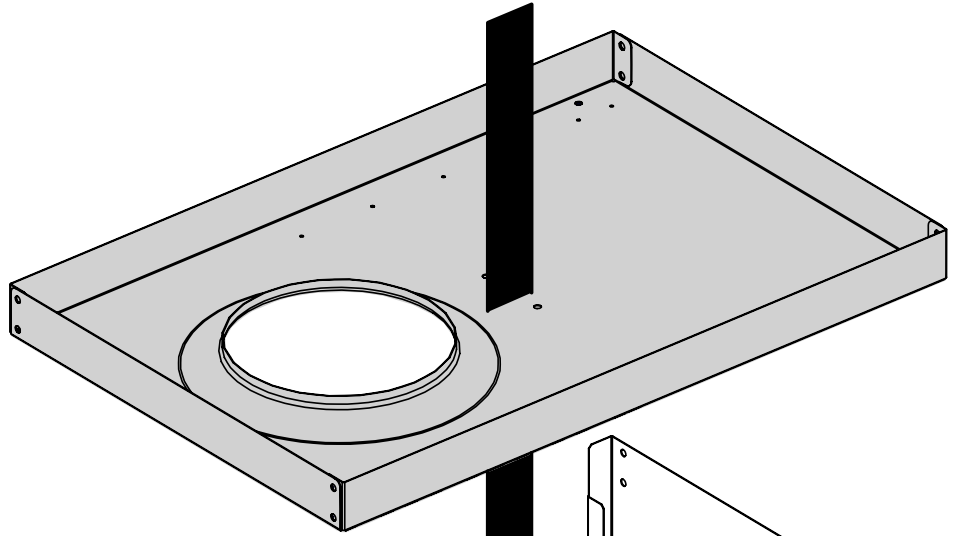
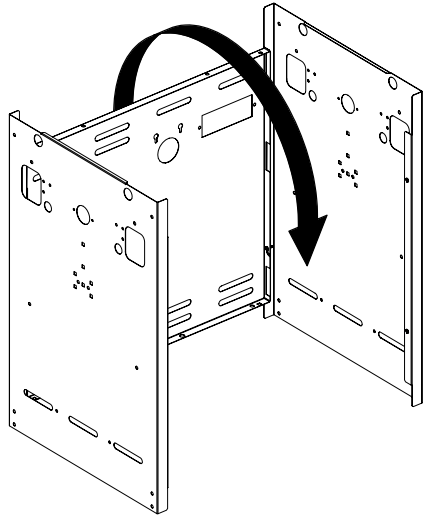
TOOLS REQUIRED / OUTILS NECESSAIRES




1

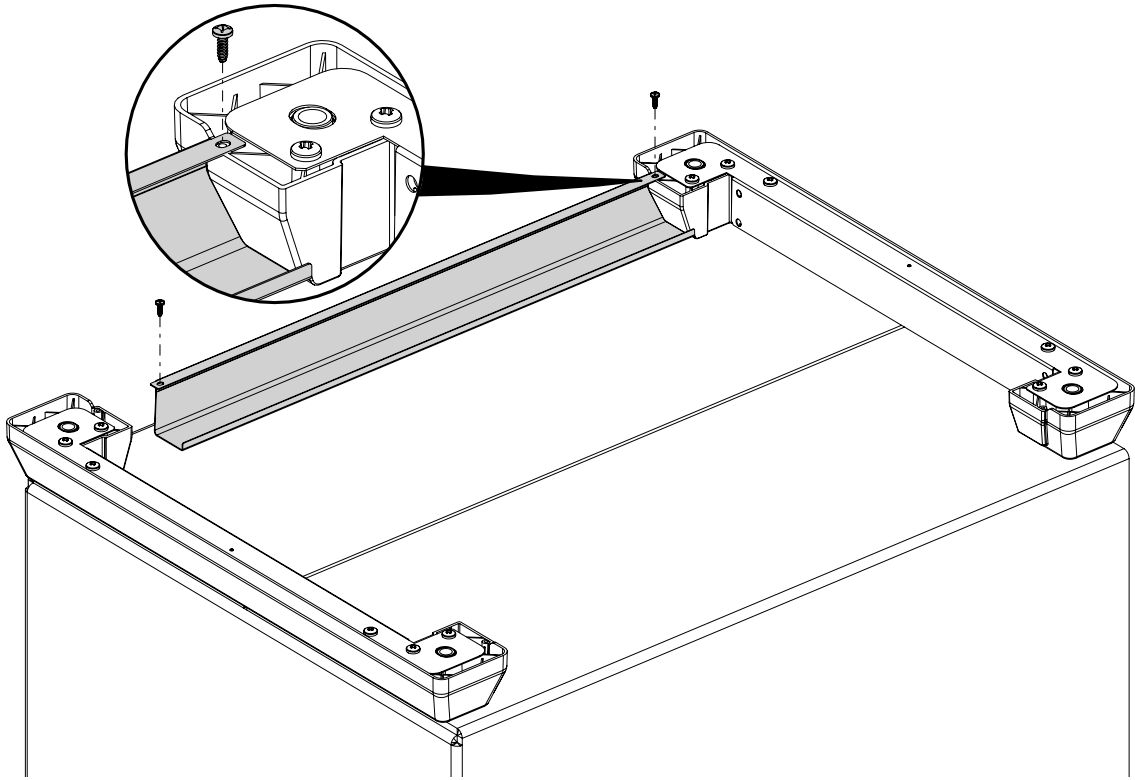


2

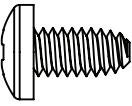


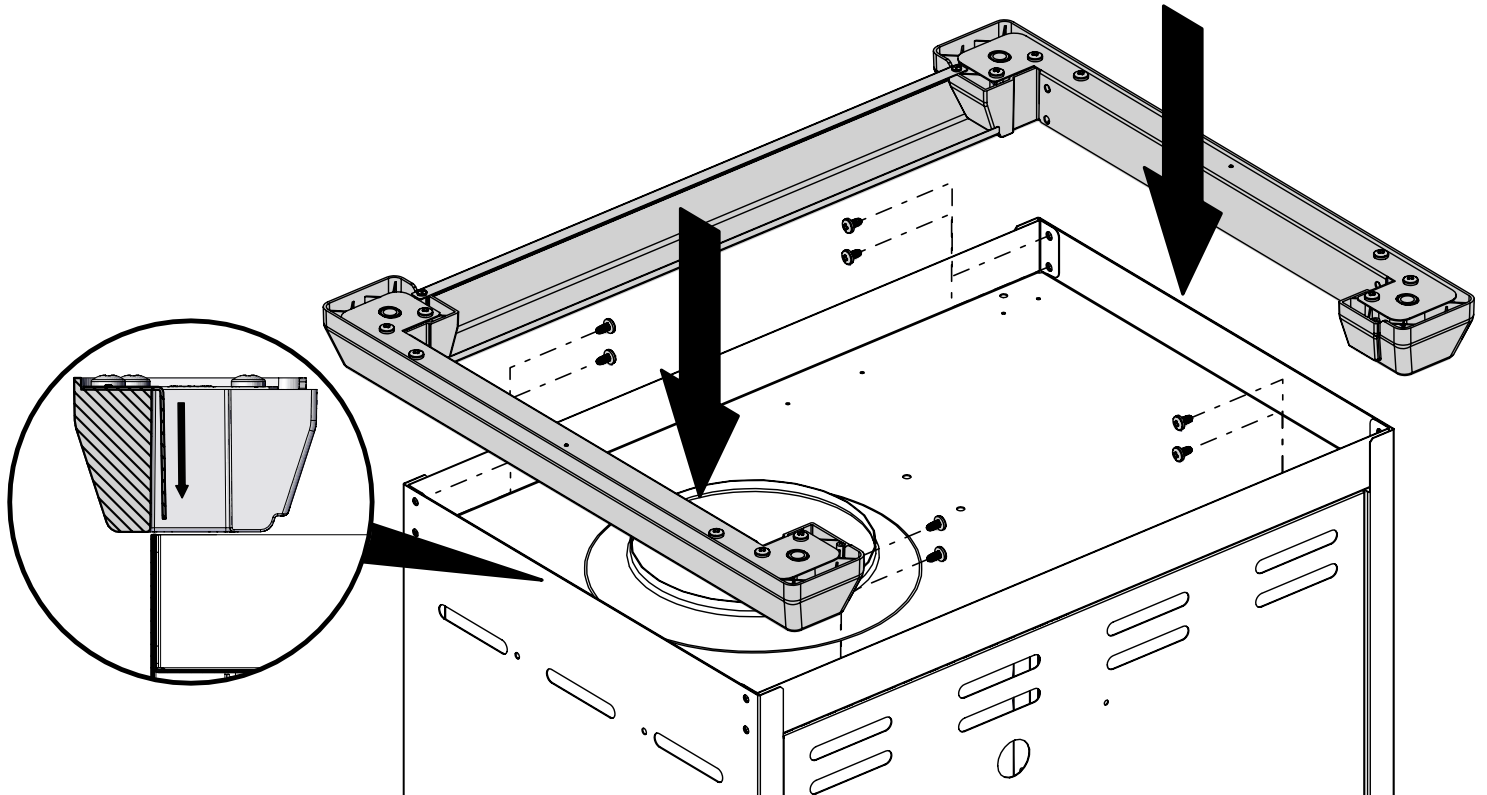
3

(2) 



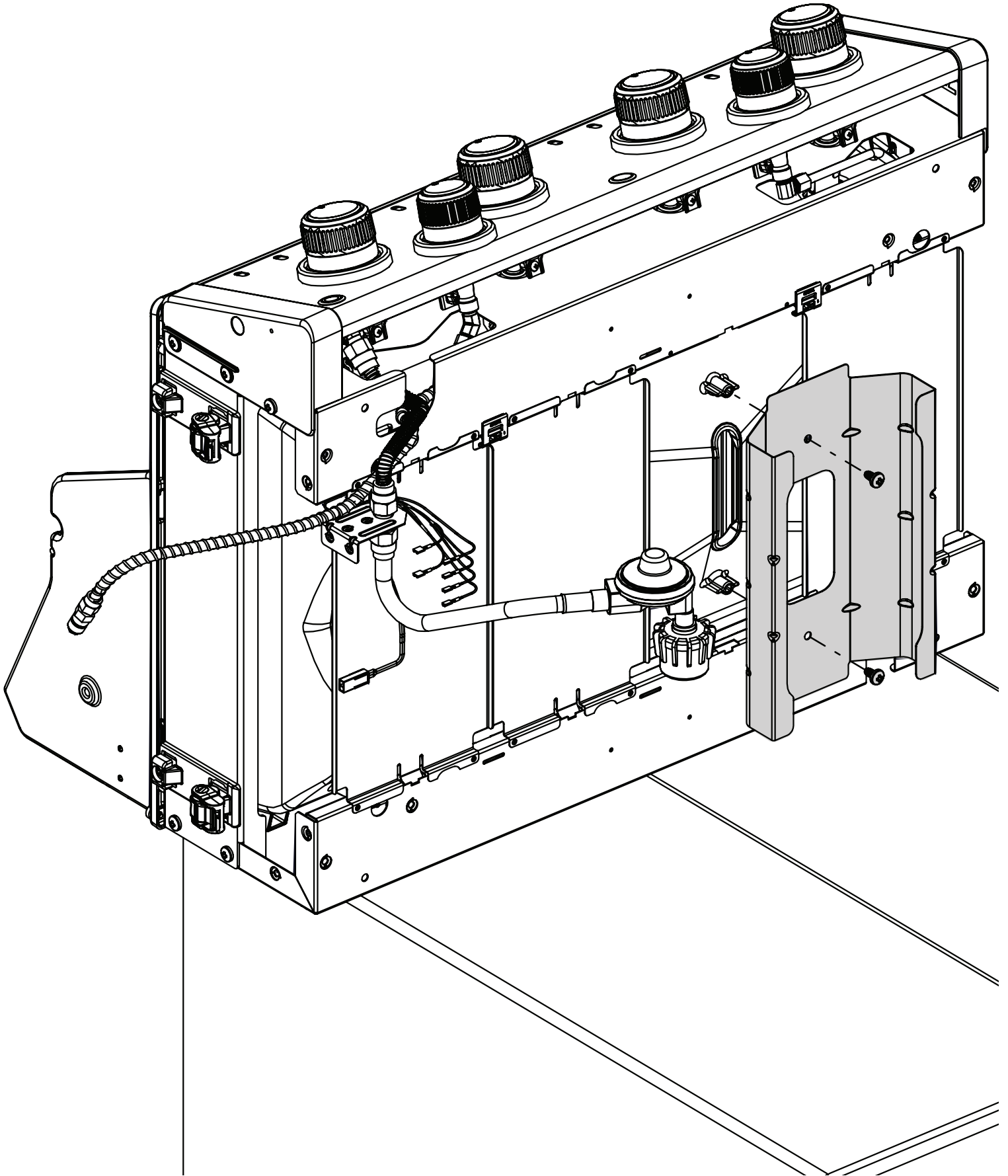
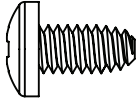
4

(8) 



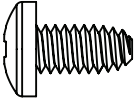
5

(2)

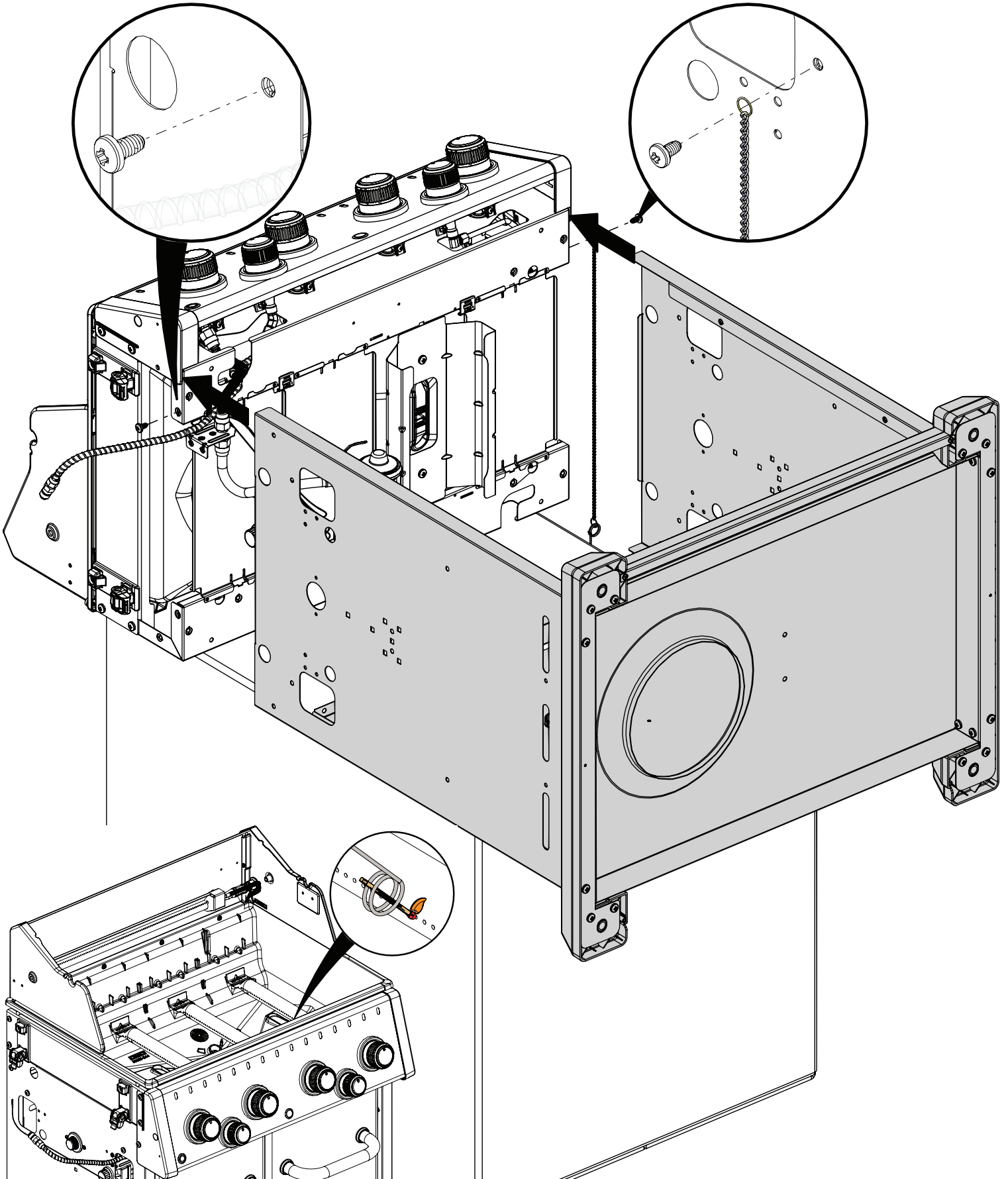


6

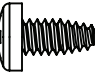
(2)

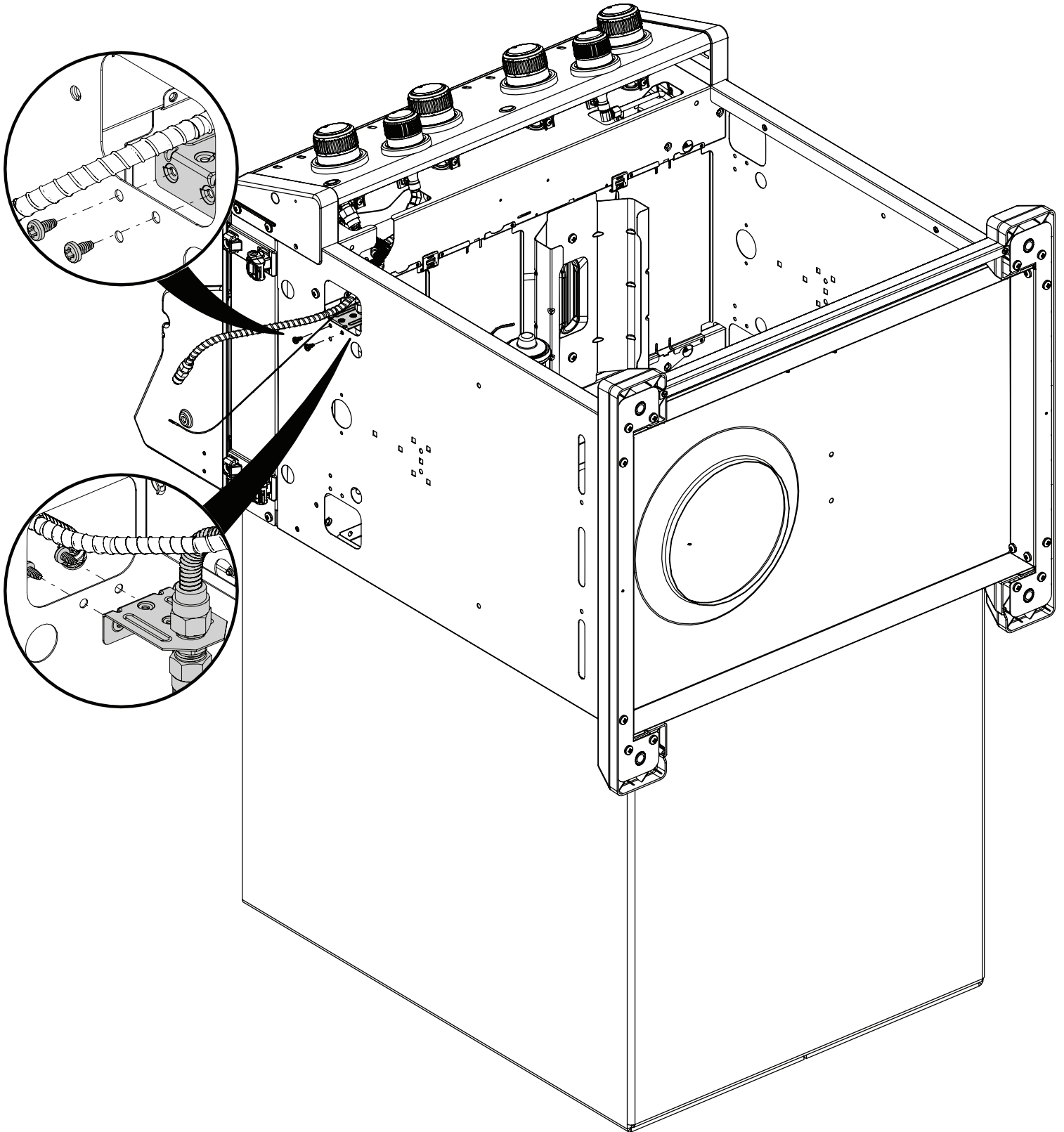


(1)

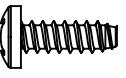


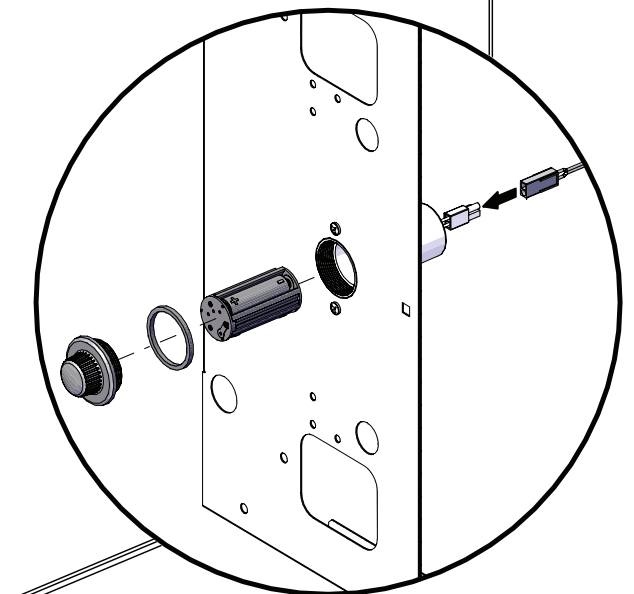
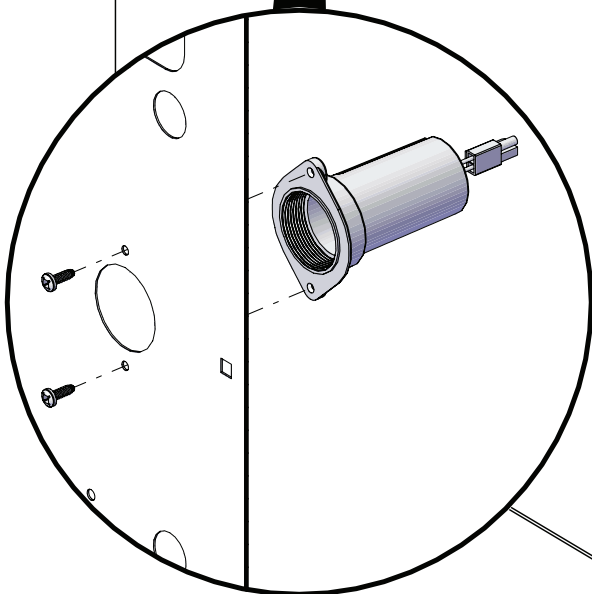
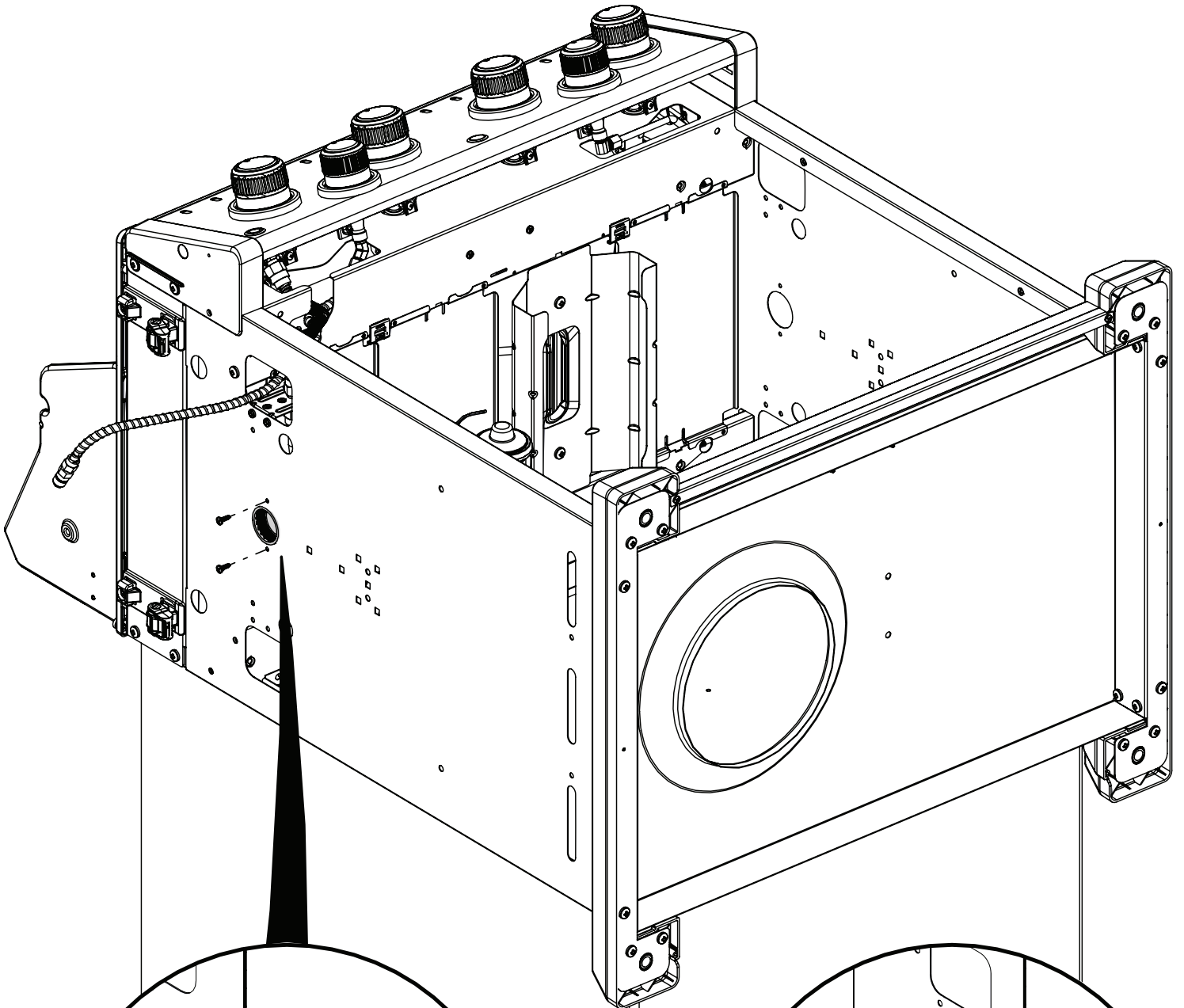
7

(2) 

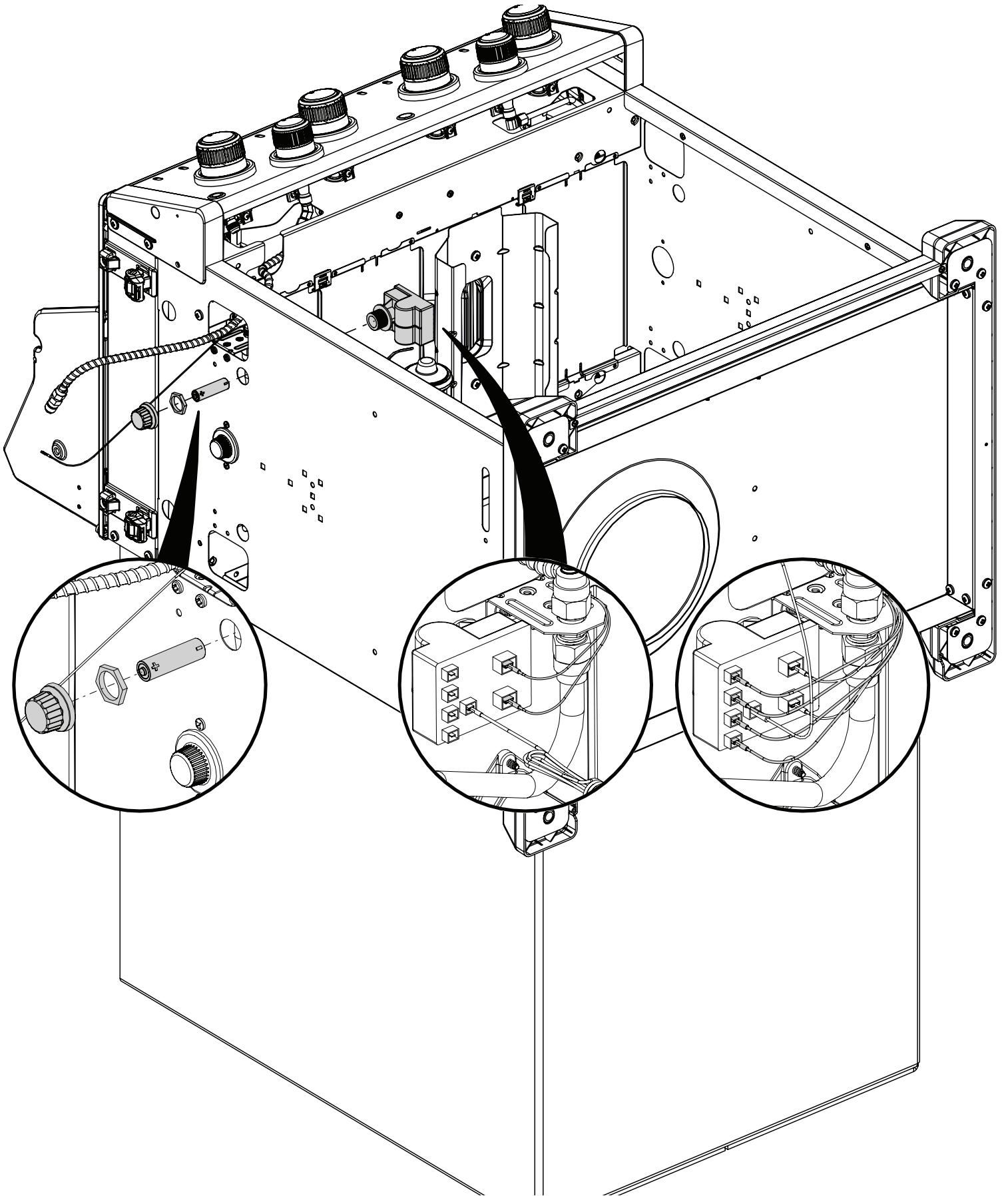


8

(2) 



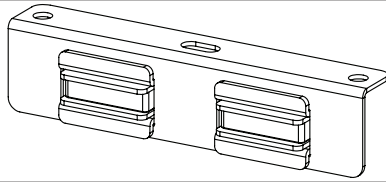
9



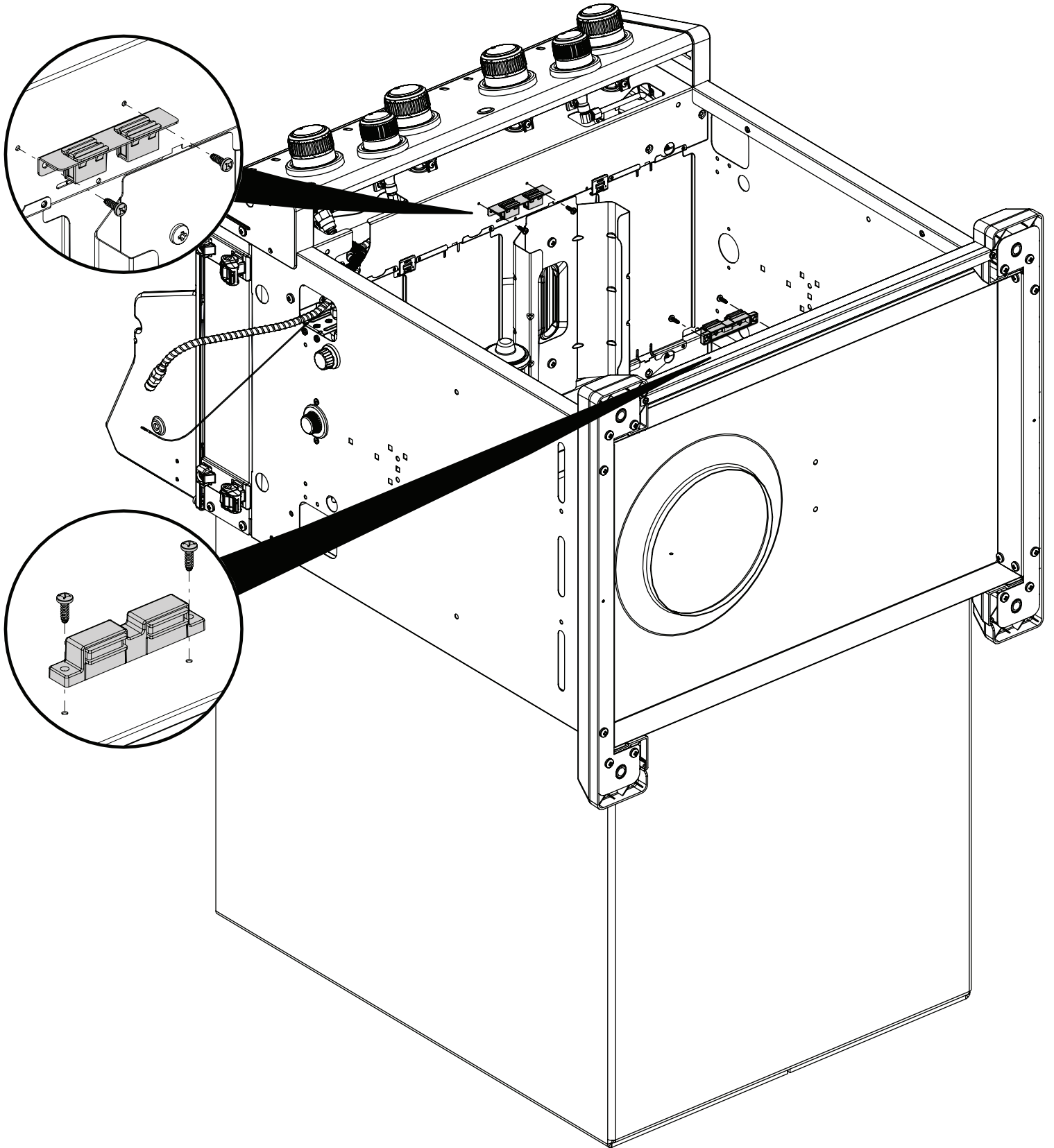
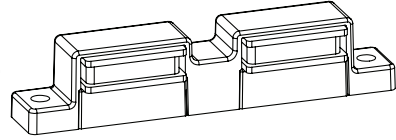
10

(4) 

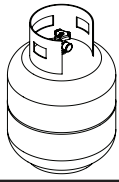
(1)



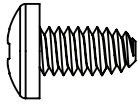
(1)



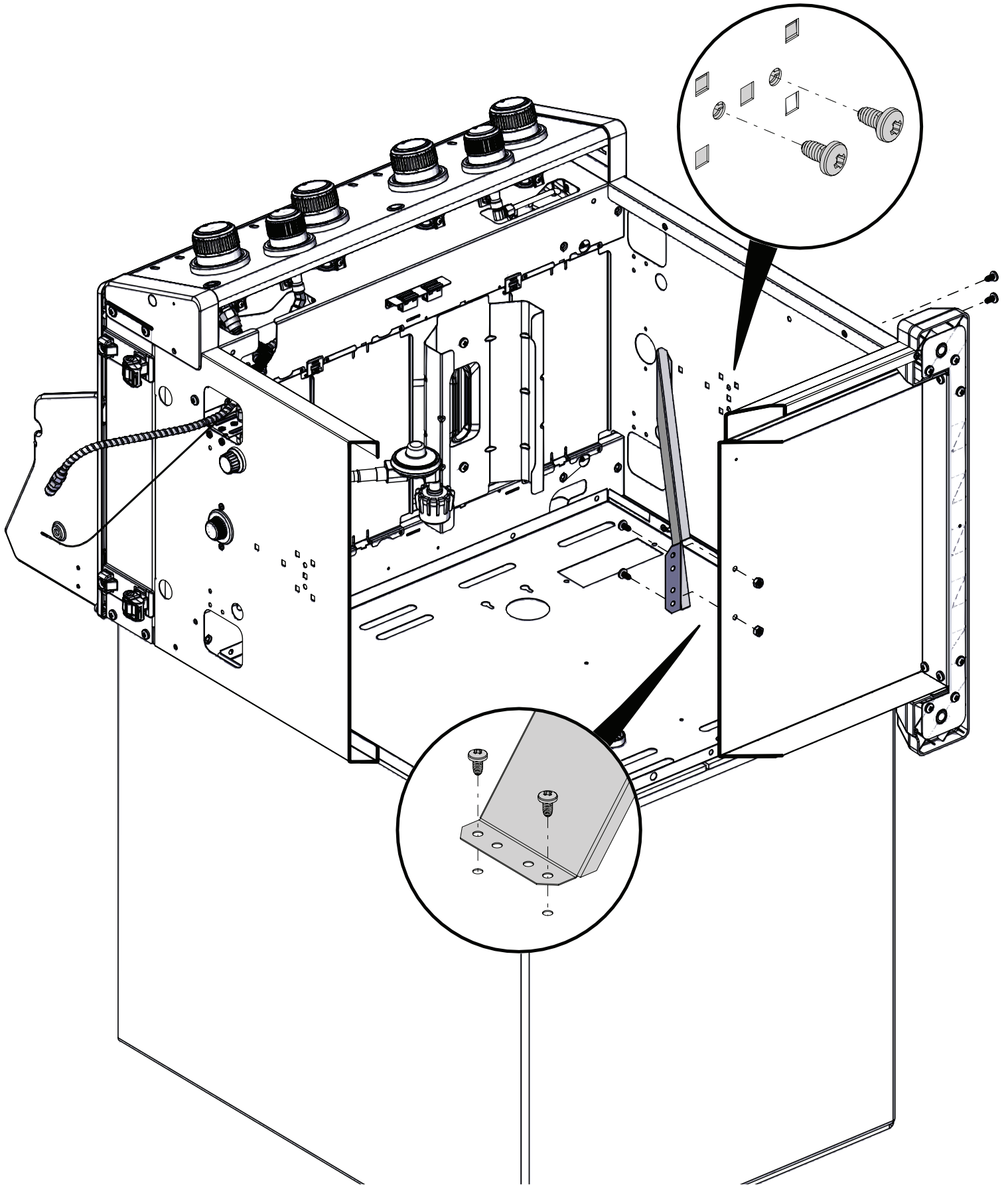
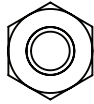
11



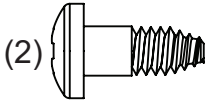
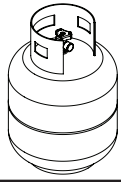
(4)



(2)

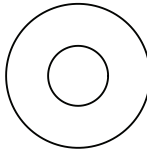


12

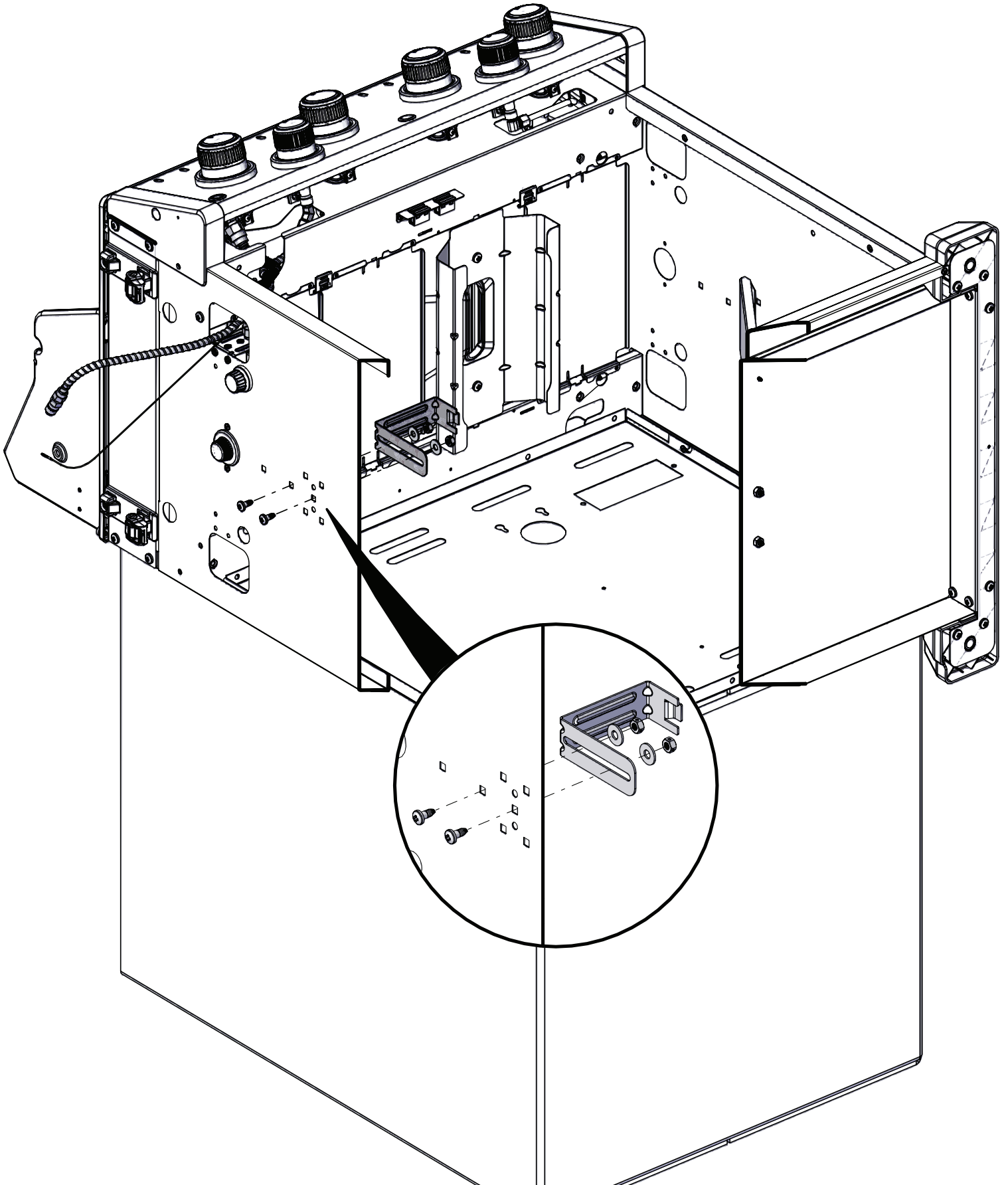
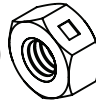


(2)

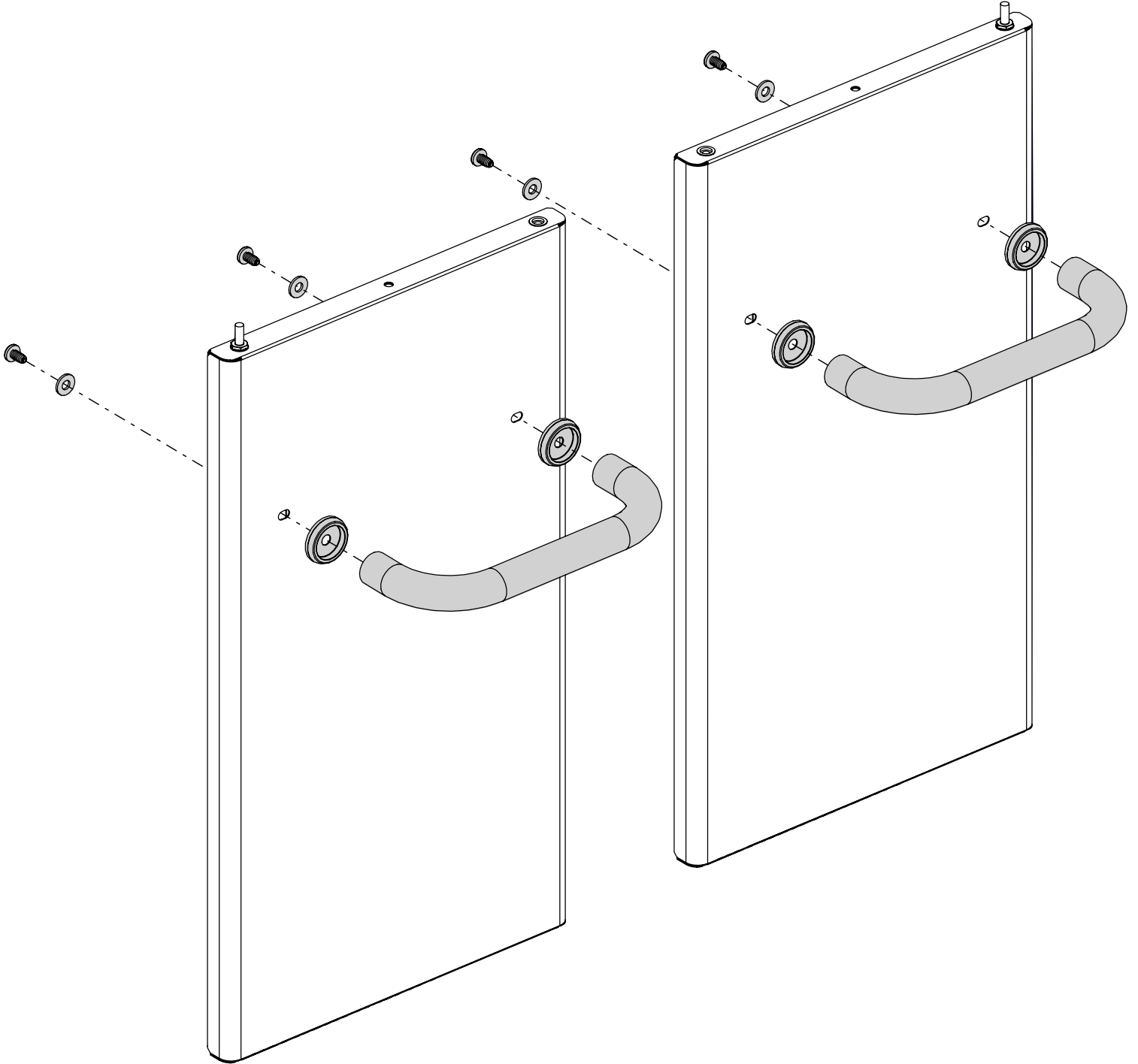
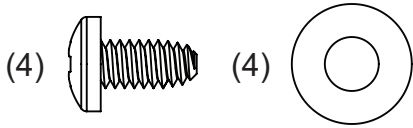
(2)



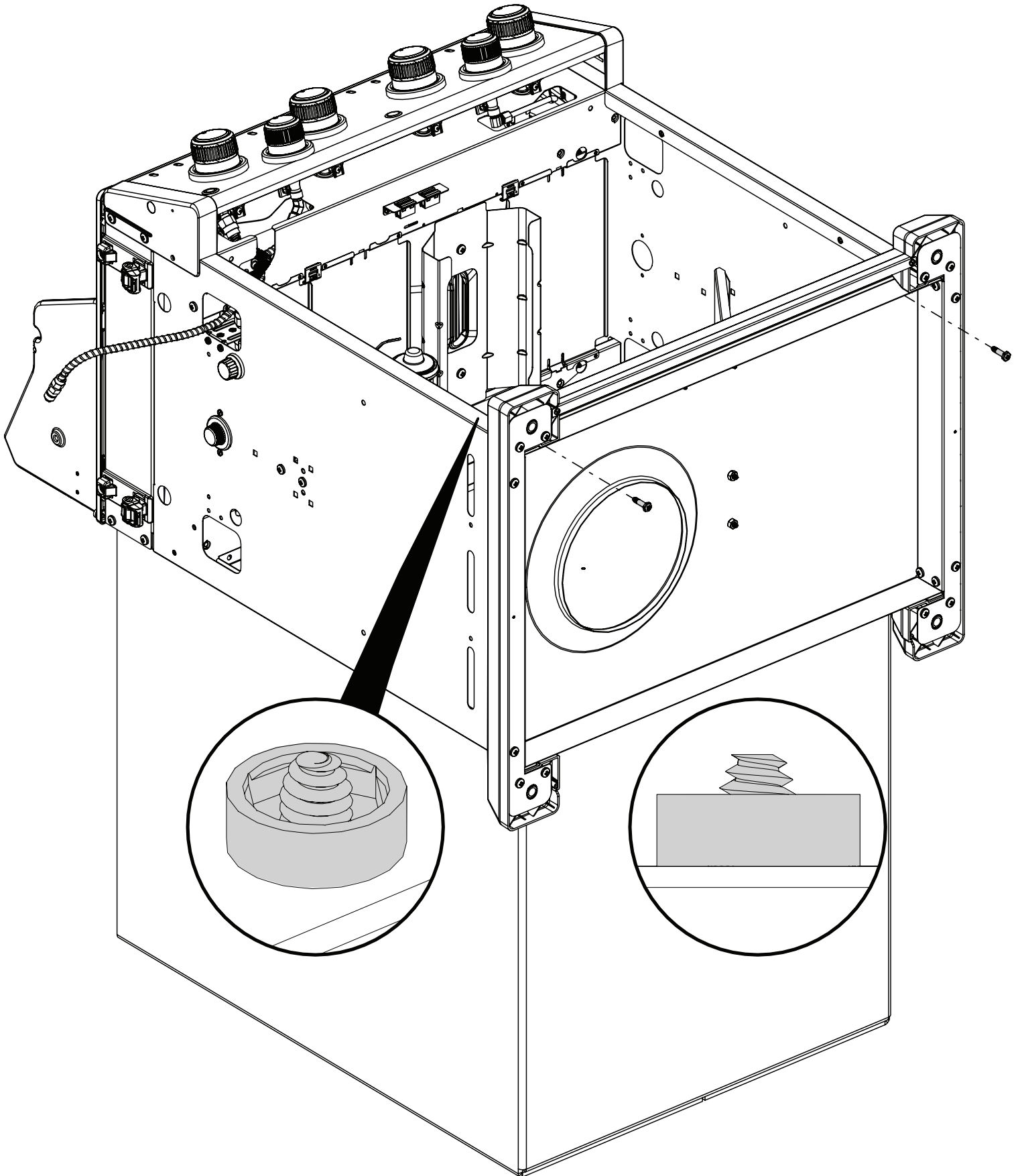
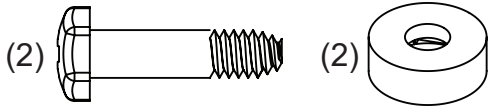
(2)

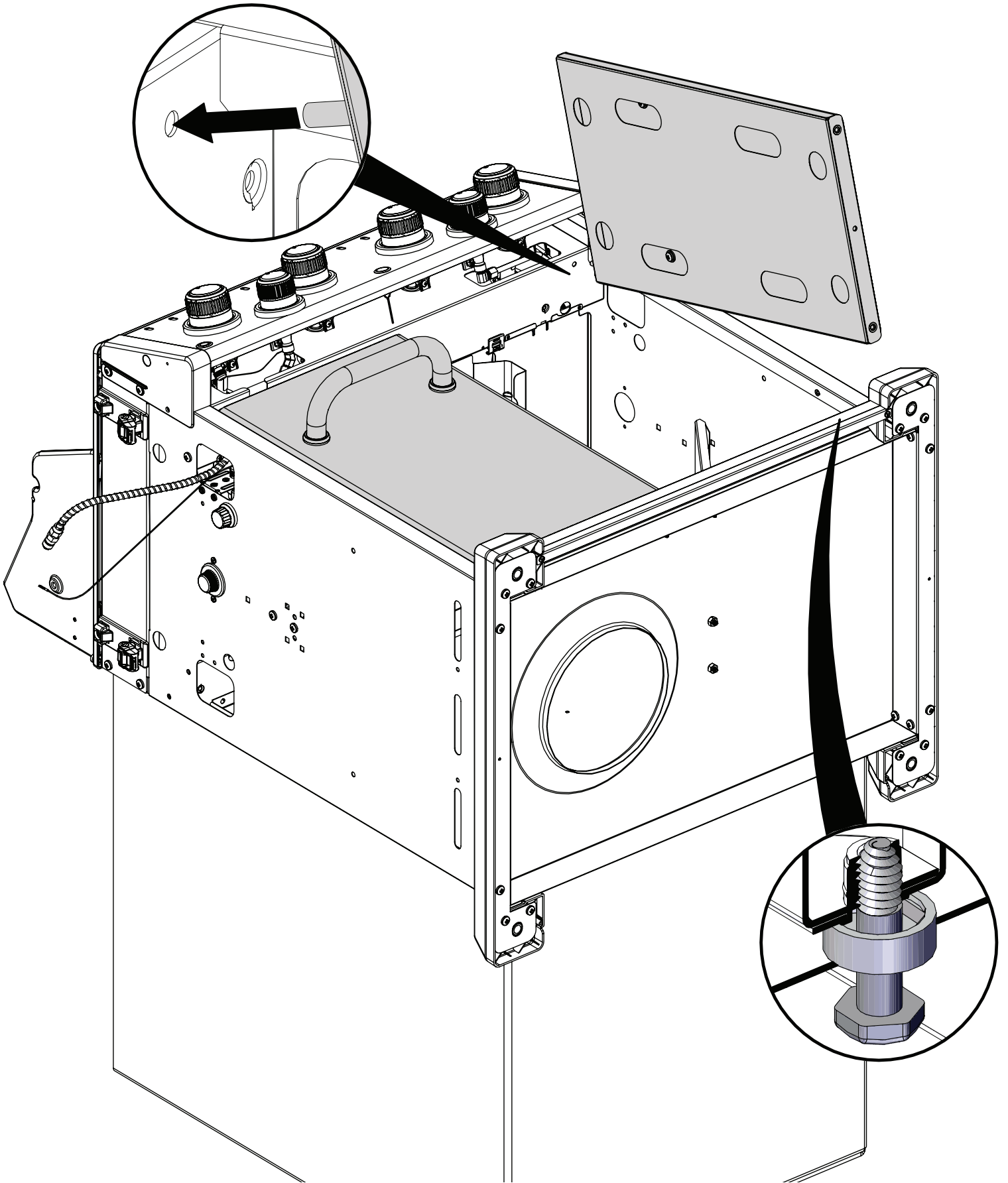


13



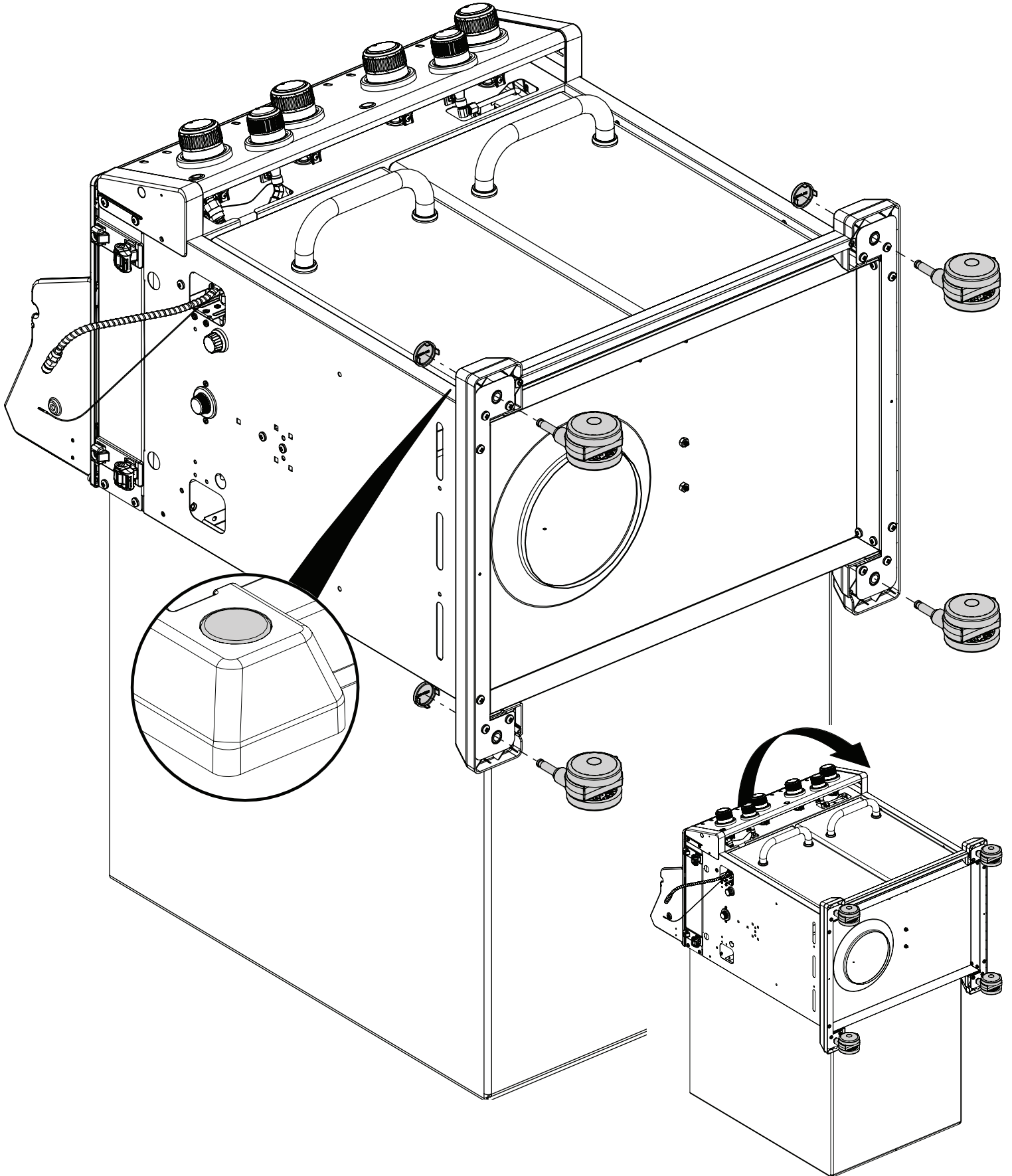
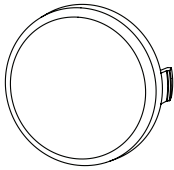
14





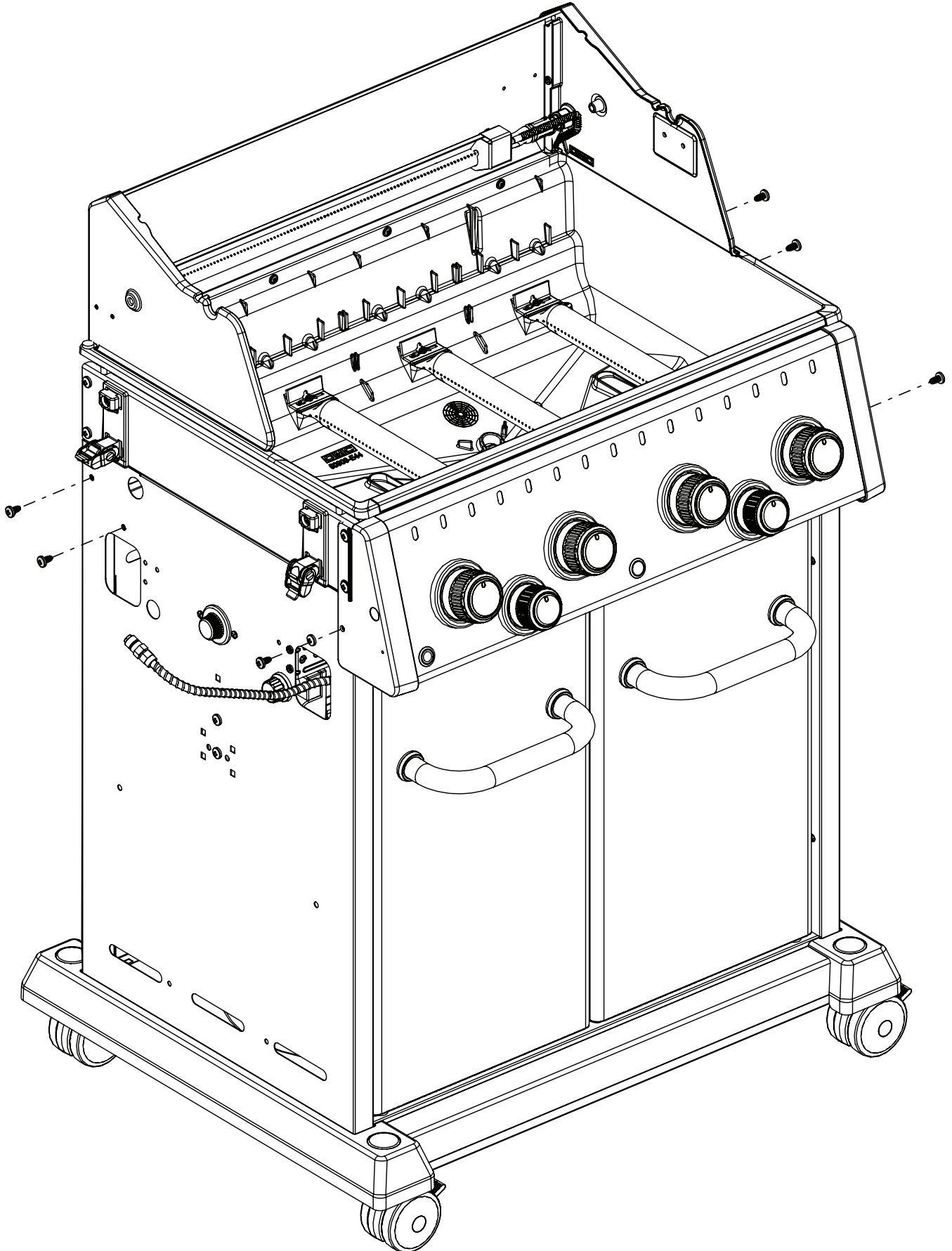
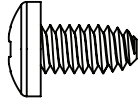
16

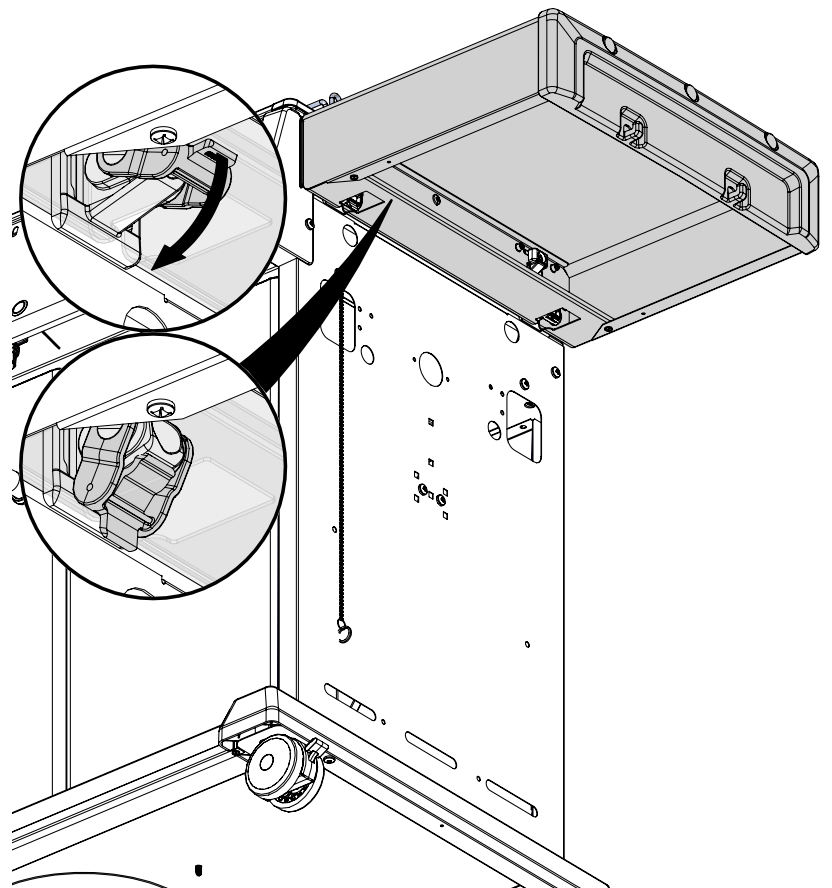
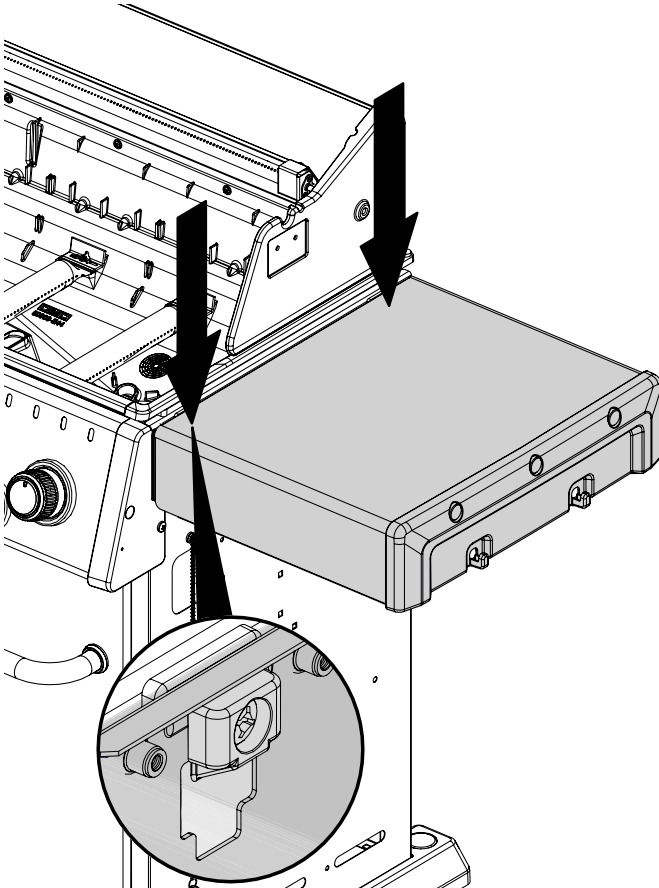
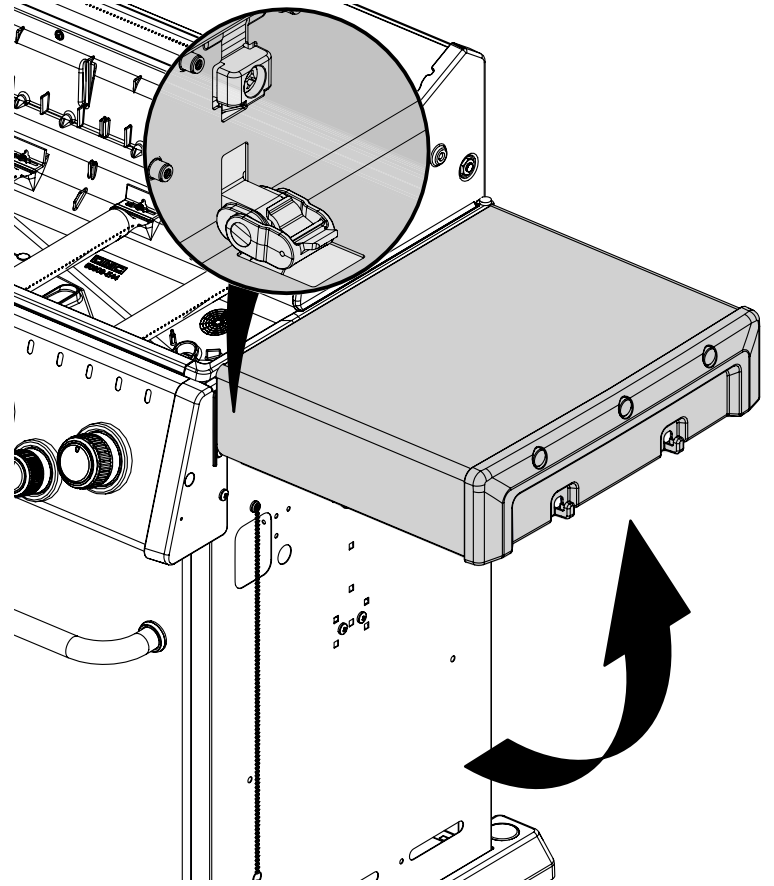
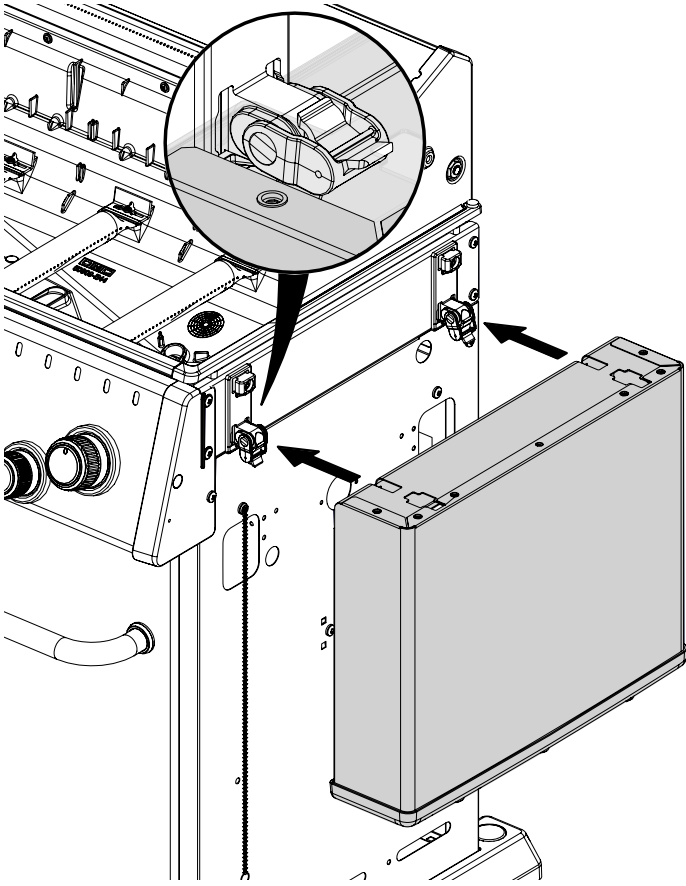
(4)



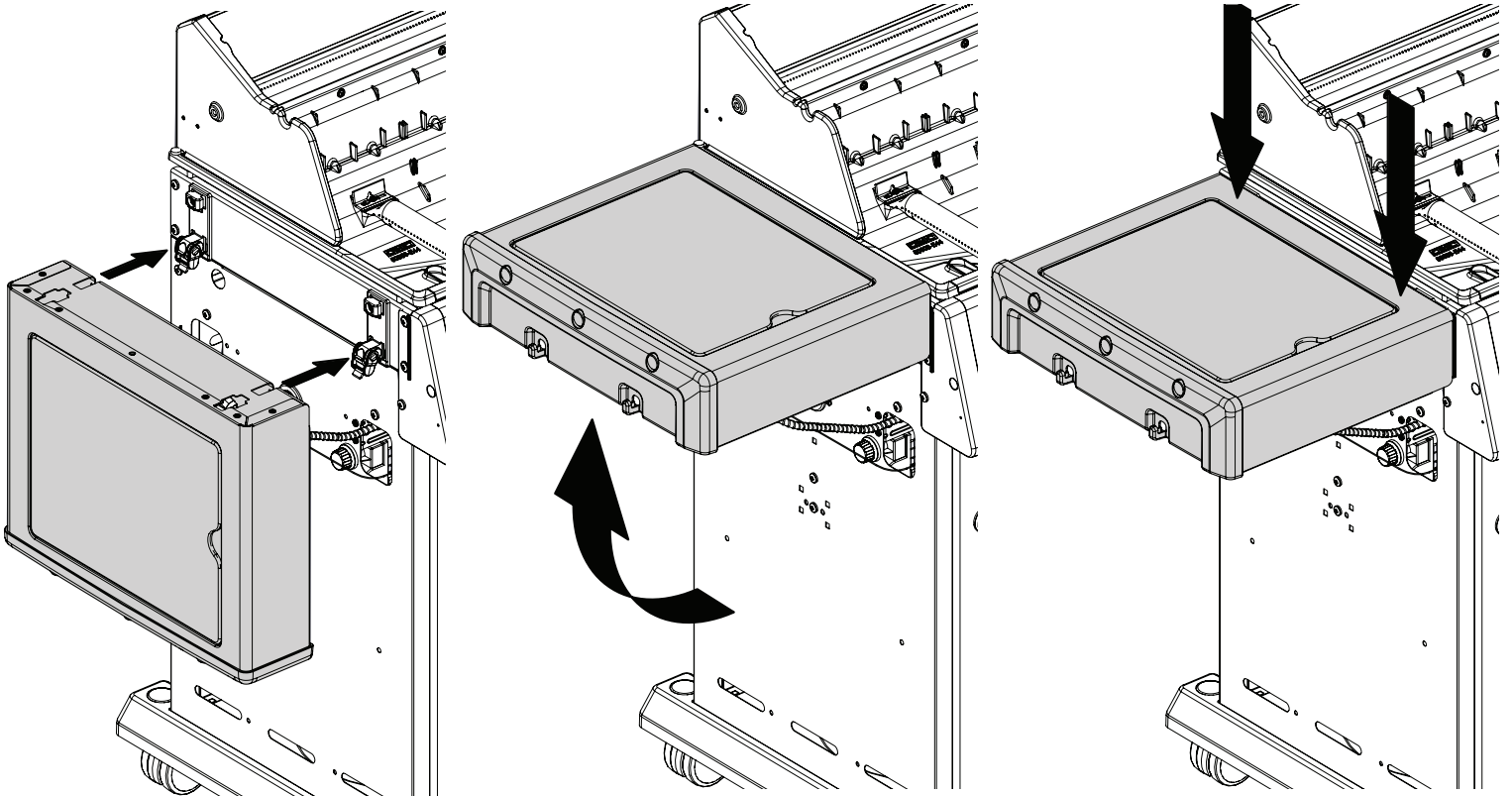
17

(6)

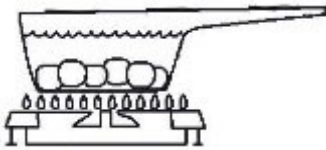




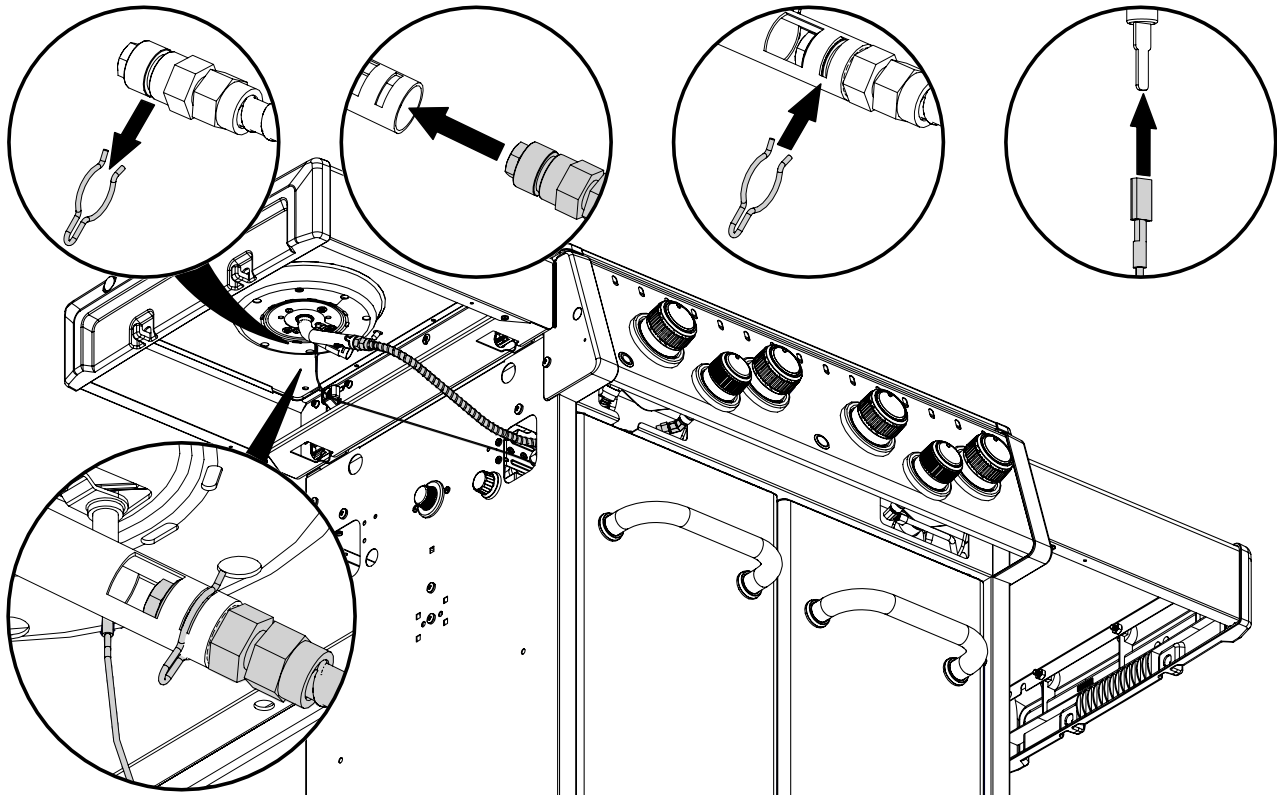
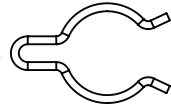
19



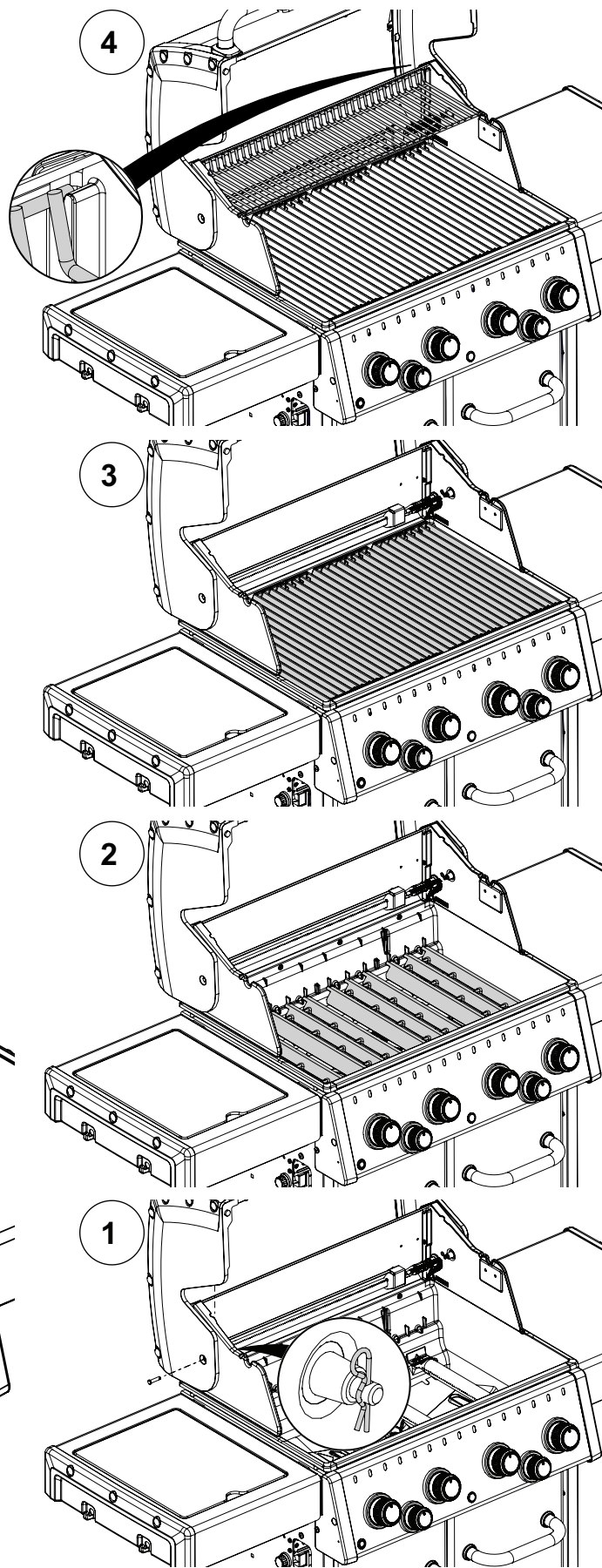
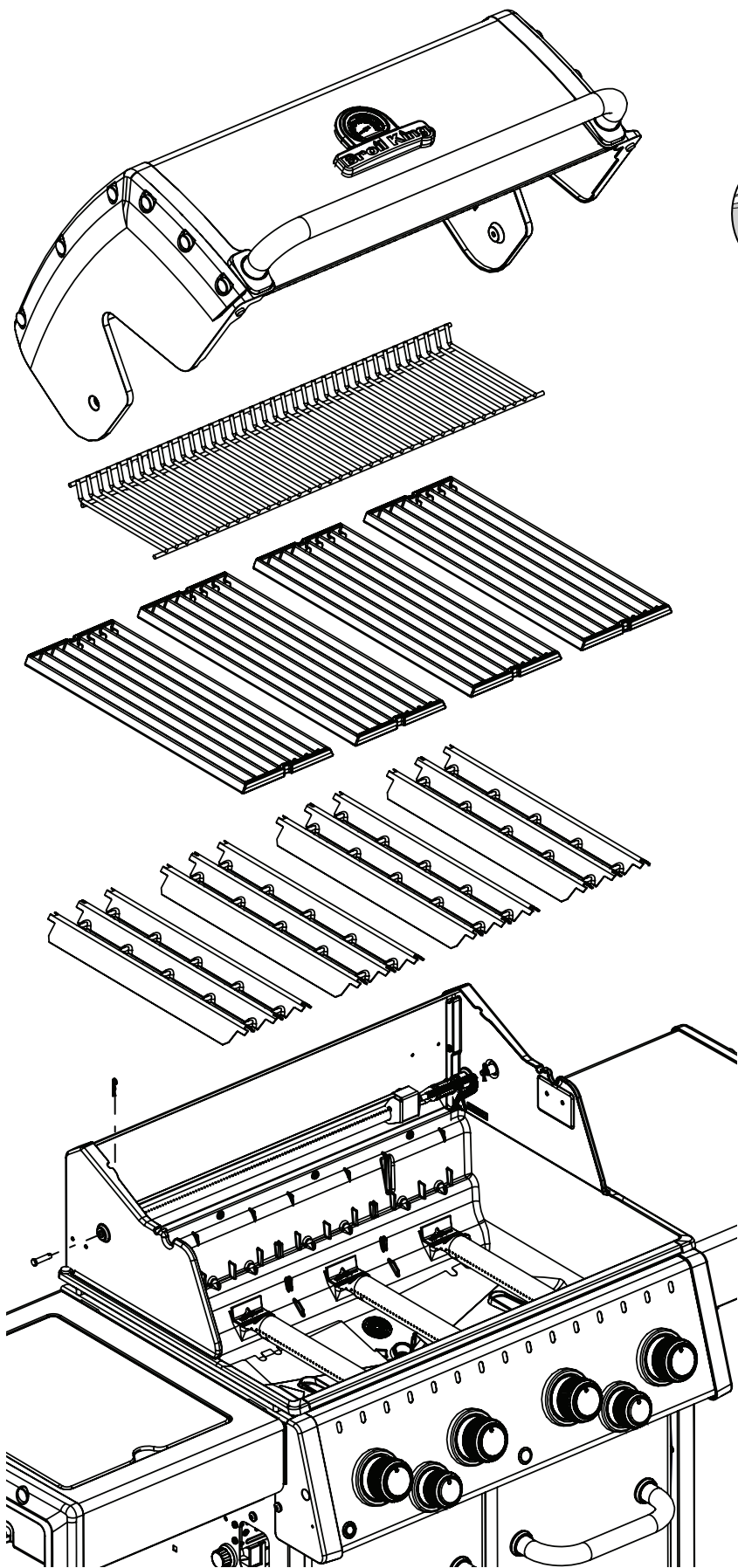
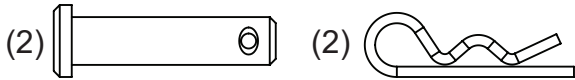
20

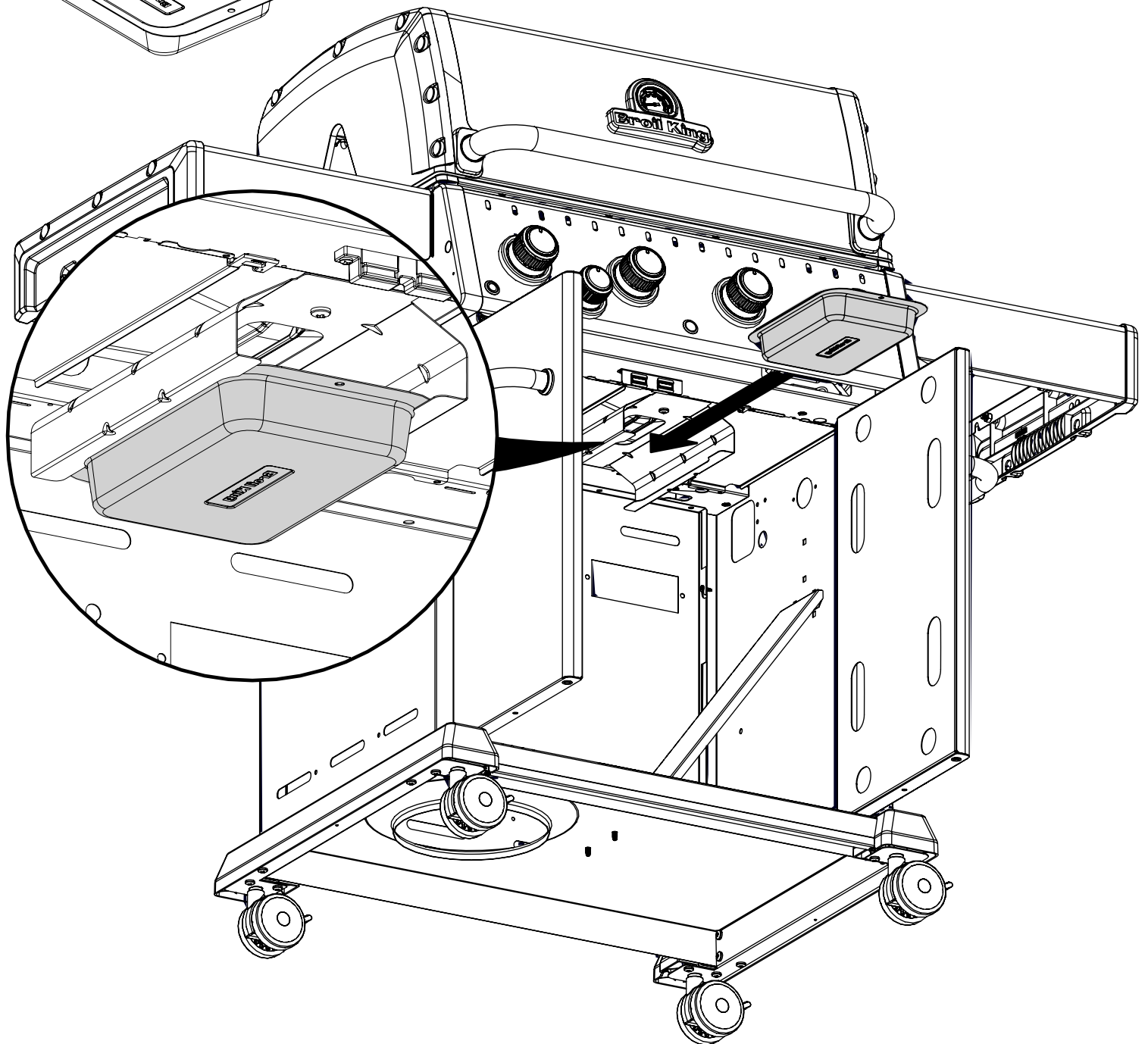
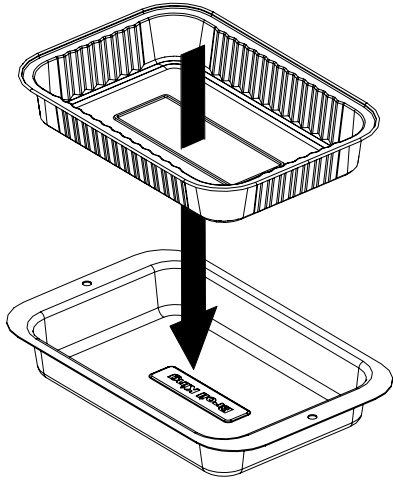


(1)

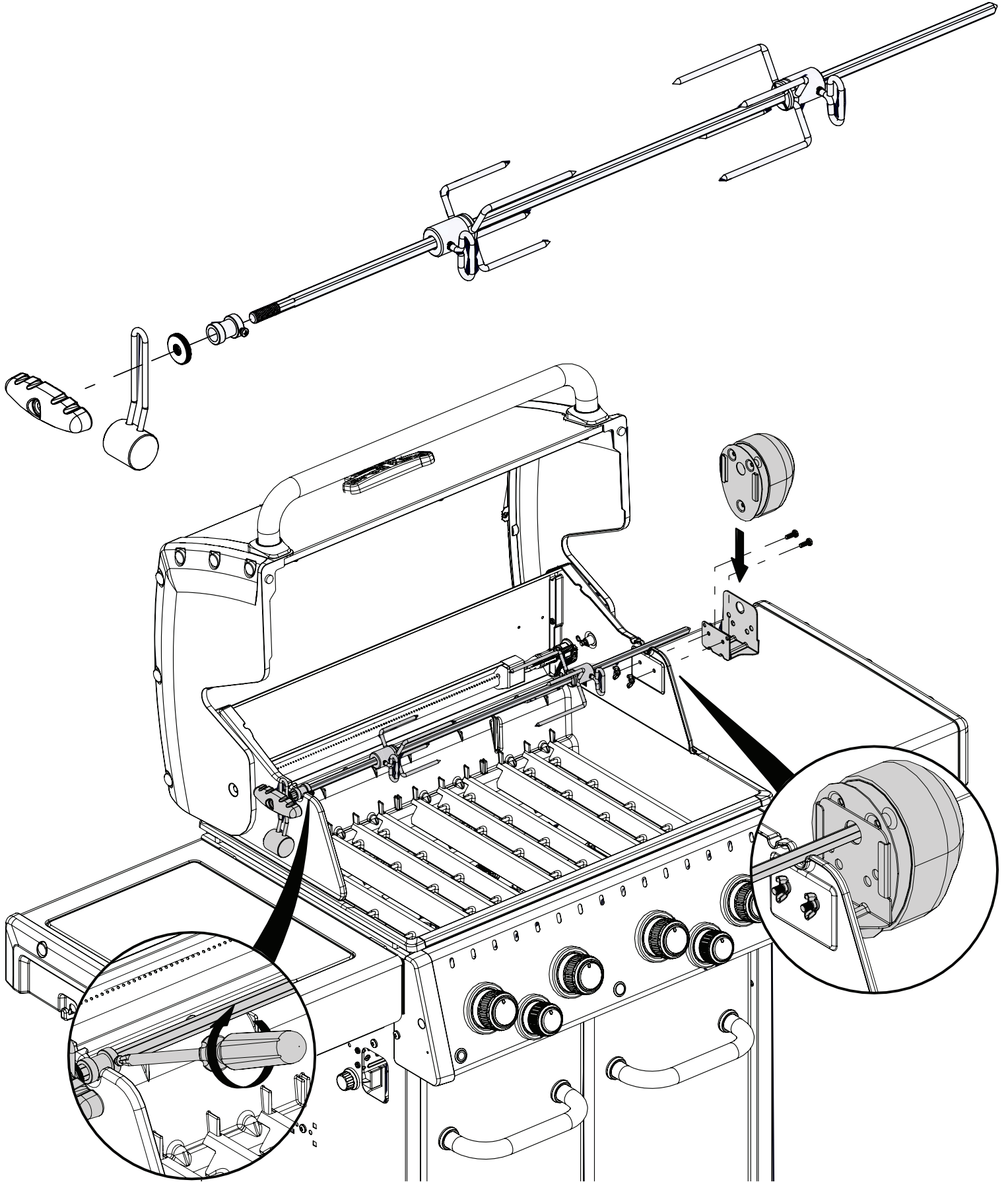


21

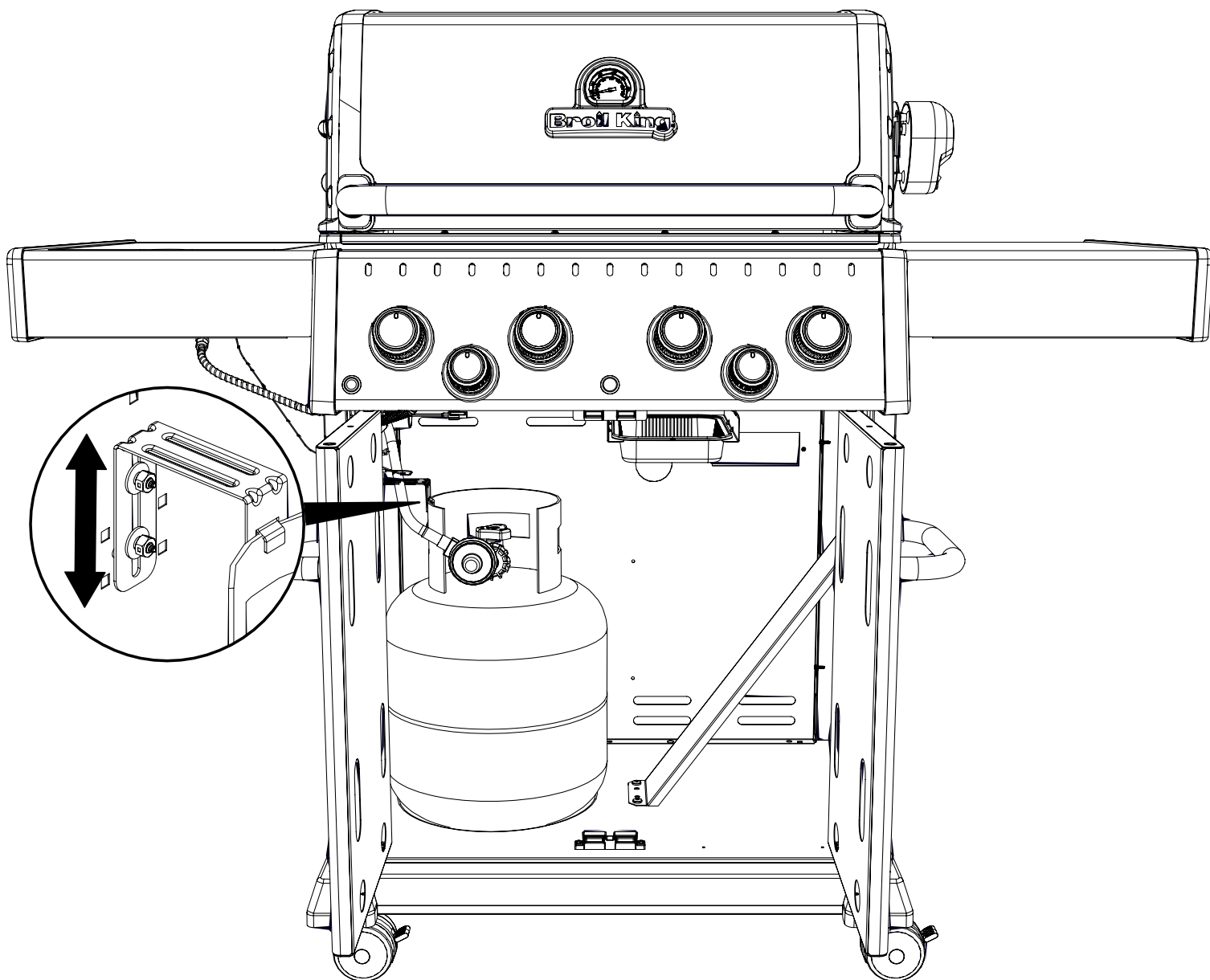
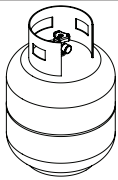




23



24



25

