

This Owner's Manual is provided and hosted by [Appliance Factory Parts](#).



# Broil King 8742-14 Owner's Manual

[Shop genuine replacement parts for Broil King 8742-14](#)



[Find Your Broil King Grill Parts - Select From 1349 Models](#)

----- Manual continues below -----

# Broil King®

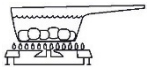
ASSEMBLY MANUAL & PARTS LIST - MANUEL DE MONTAGE & LISTE DE PIÈCES - MANUAL DE ARMADO Y LISTA DE PARTES



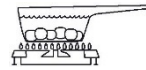
**Broil King.**  
BARON 320 PRO  
8742-14  
8742-17  
BARON 320  
8742-54  
8742-57



**Broil King.**  
BARON S 320 PRO  
8743-14  
8743-17  
BARON S 320  
8743-54  
8743-57



**Broil King.**  
BARON 340 PRO  
8742-24  
8742-27  
BARON 340  
8742-64  
8742-67



**Broil King.**  
BARON S 340 PRO  
8743-24  
8743-27  
BARON S 340  
8743-64  
8743-67

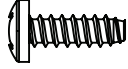
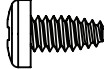
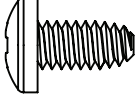
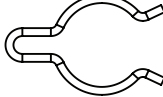
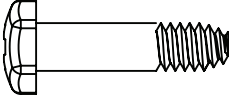

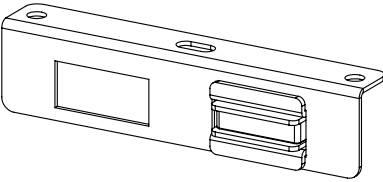
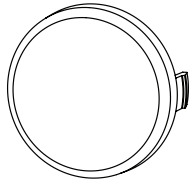
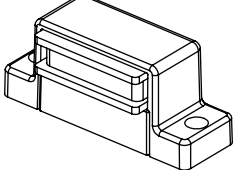
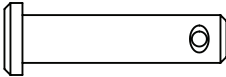



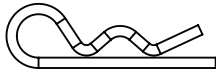

RETAIN FOR FUTURE REFERENCE - VEUILLEZ CONSERVER POUR REFERENCE ULTERIEURE - CONSERVER PARA FUTURAS CONSULTAS

*Onward*  
MANUFACTURING COMPANY  
SINCE 1906  
585 KUMPF DRIVE LIMITED  
WATERLOO, ONTARIO, CANADA  
N2V 1K3

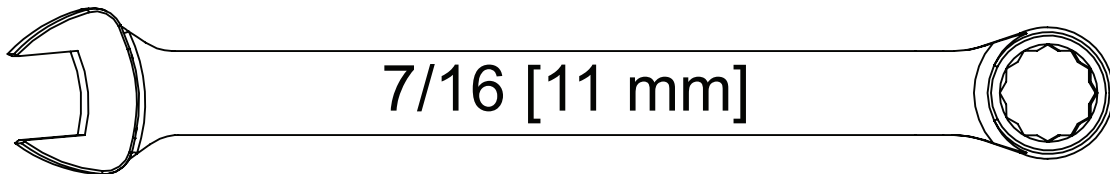
info@omcbbq.com  
1-800-265-2150

50084-E60 REV C 10/20

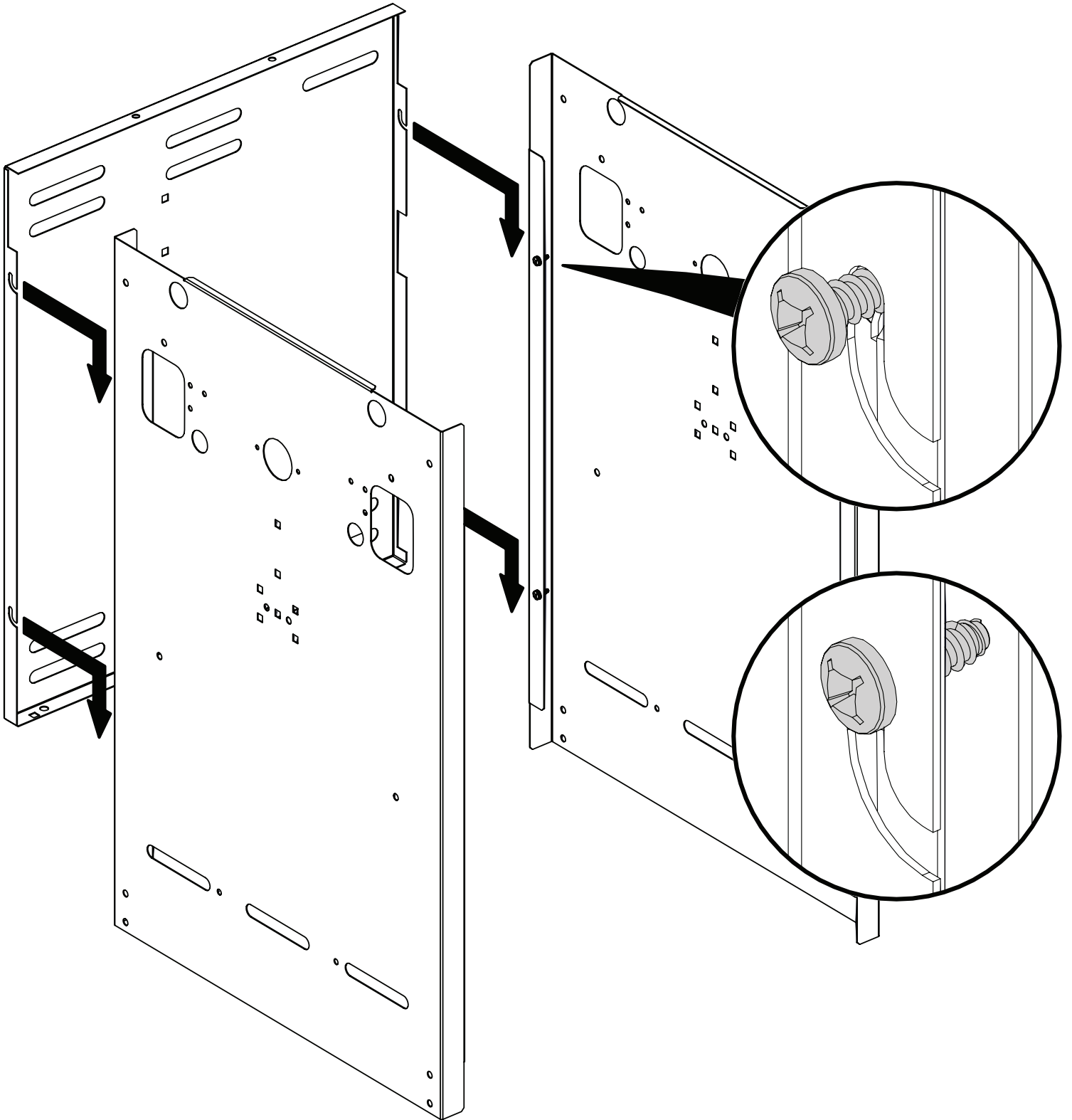
**HARDWARE INCLUDED / MATERIAL INCLUS**

S21124		(8)	Y-29304		(2)
Y-12865		(18)	Y-11230		(1)
Y-11551		(1)	Y-12124		(1)
56039-211A		(1)	32001-151		(4)
Y-12234		(1)	S21235		(2)
	   <p>#2 ROBERTSON</p> <p>#3 ROBERTSON</p>		S21233		(2)
20005-000					(1)

**TOOLS REQUIRED / OUTILS NECESSAIRES**

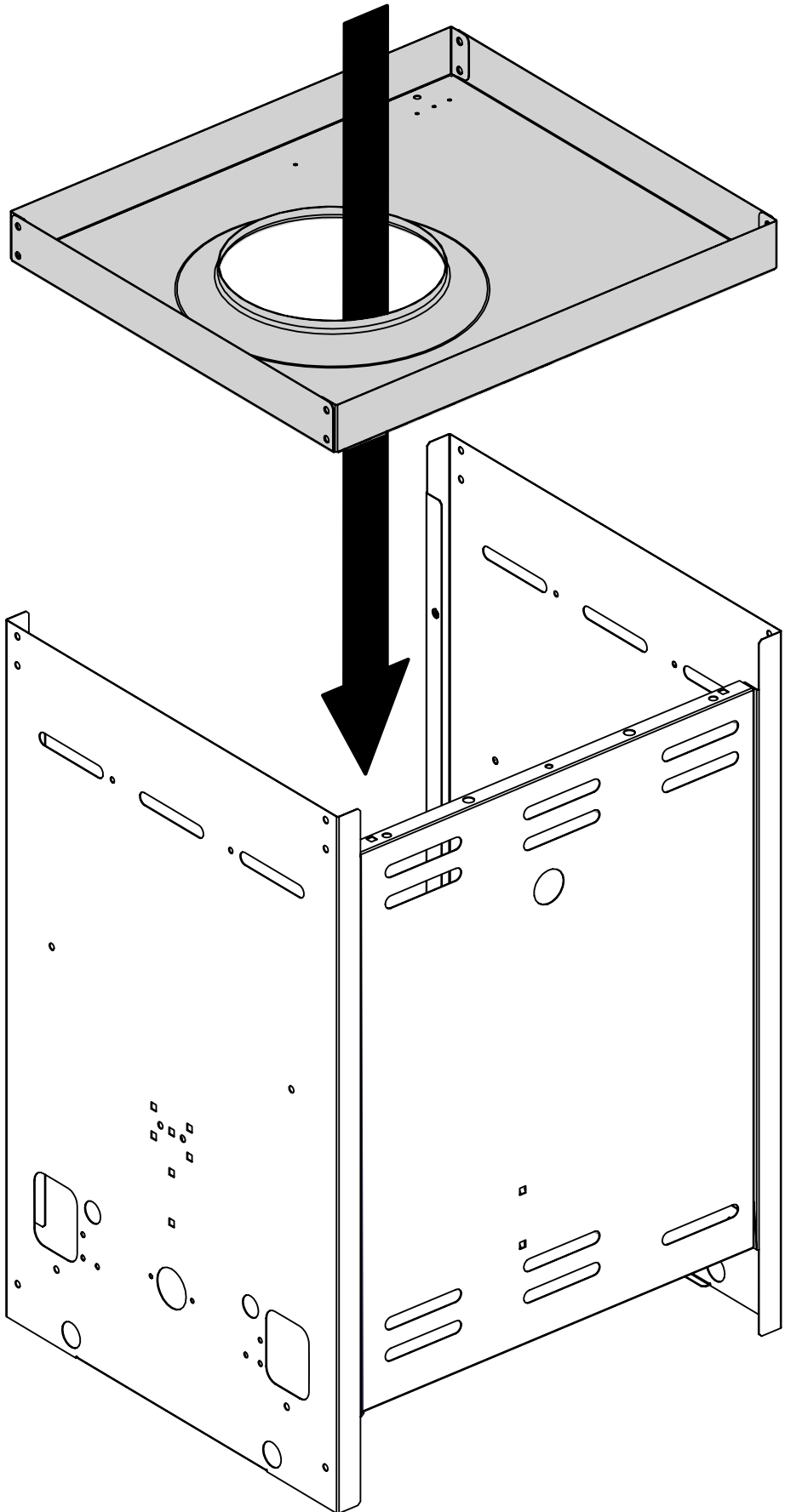
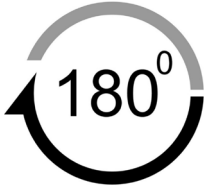
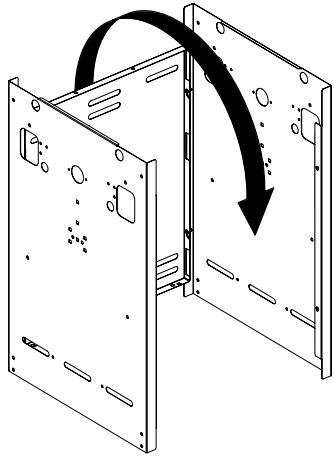


1




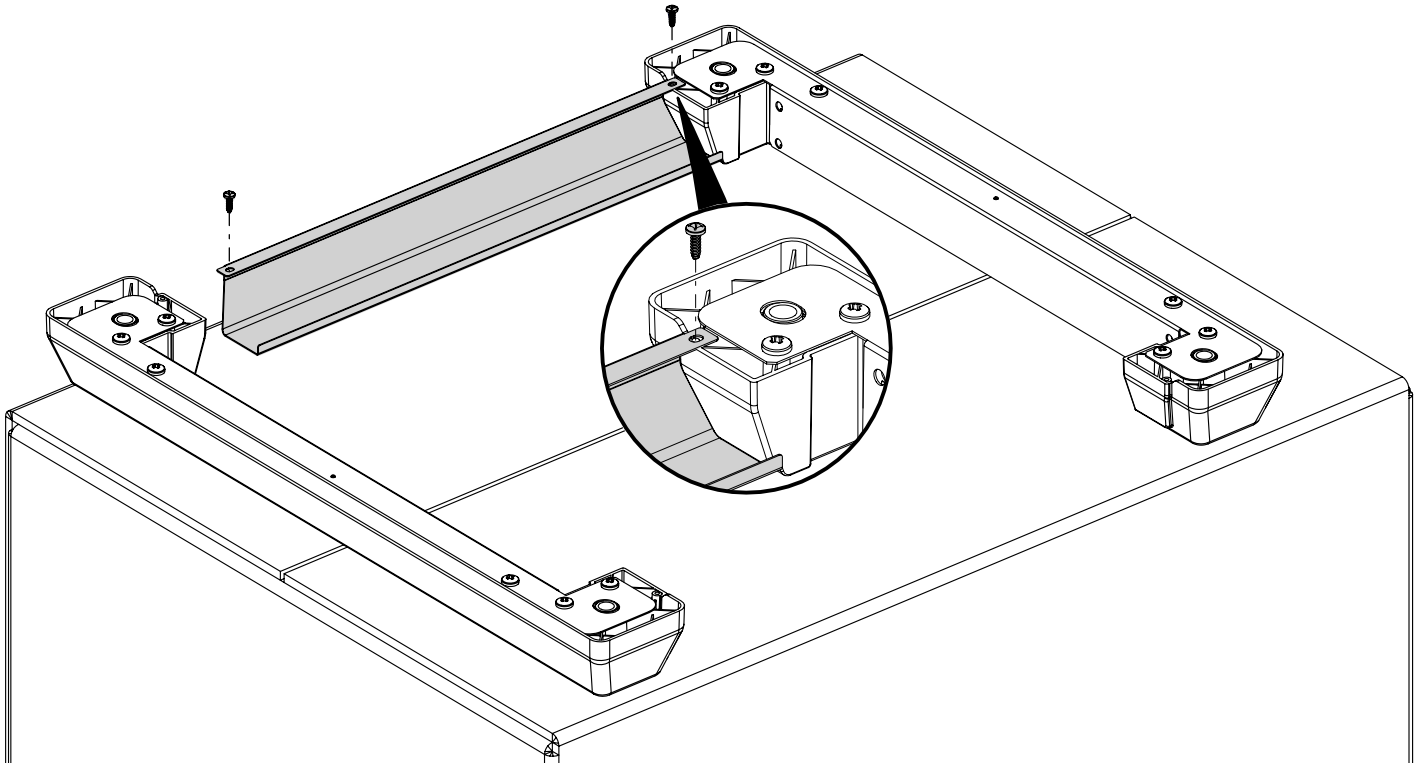


2

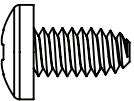


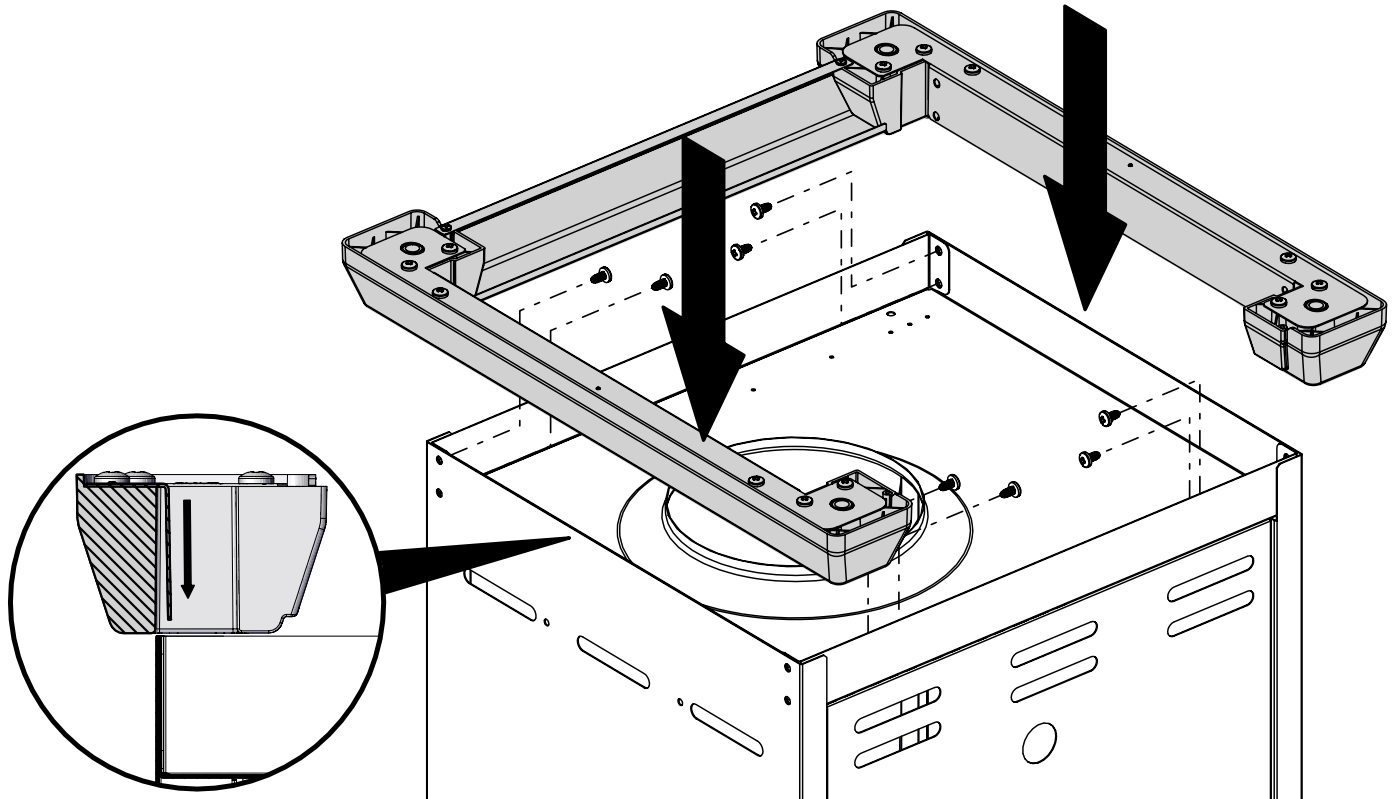
3

(2) 



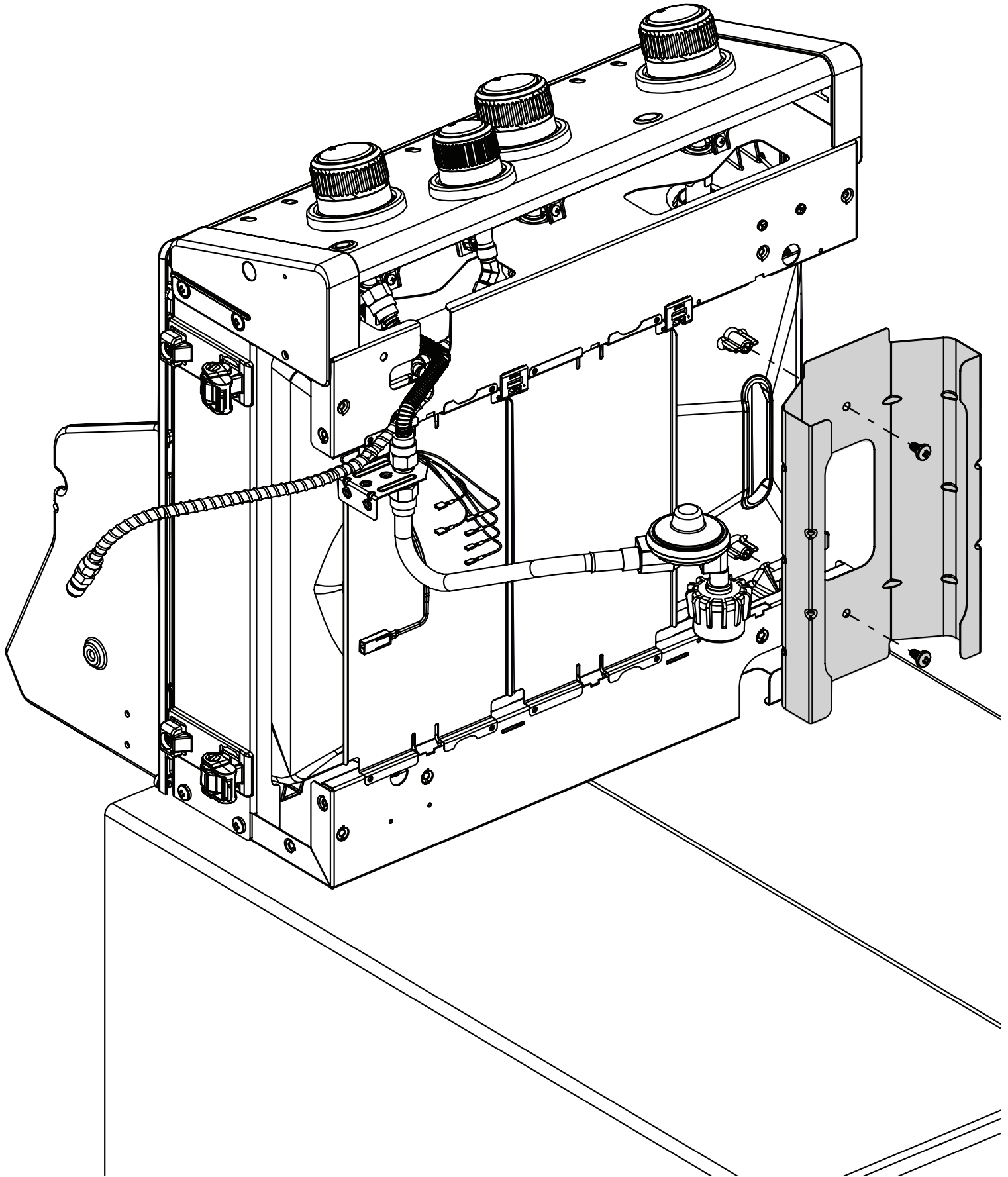
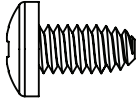
4

(8) 



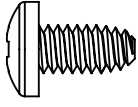
5

(2)

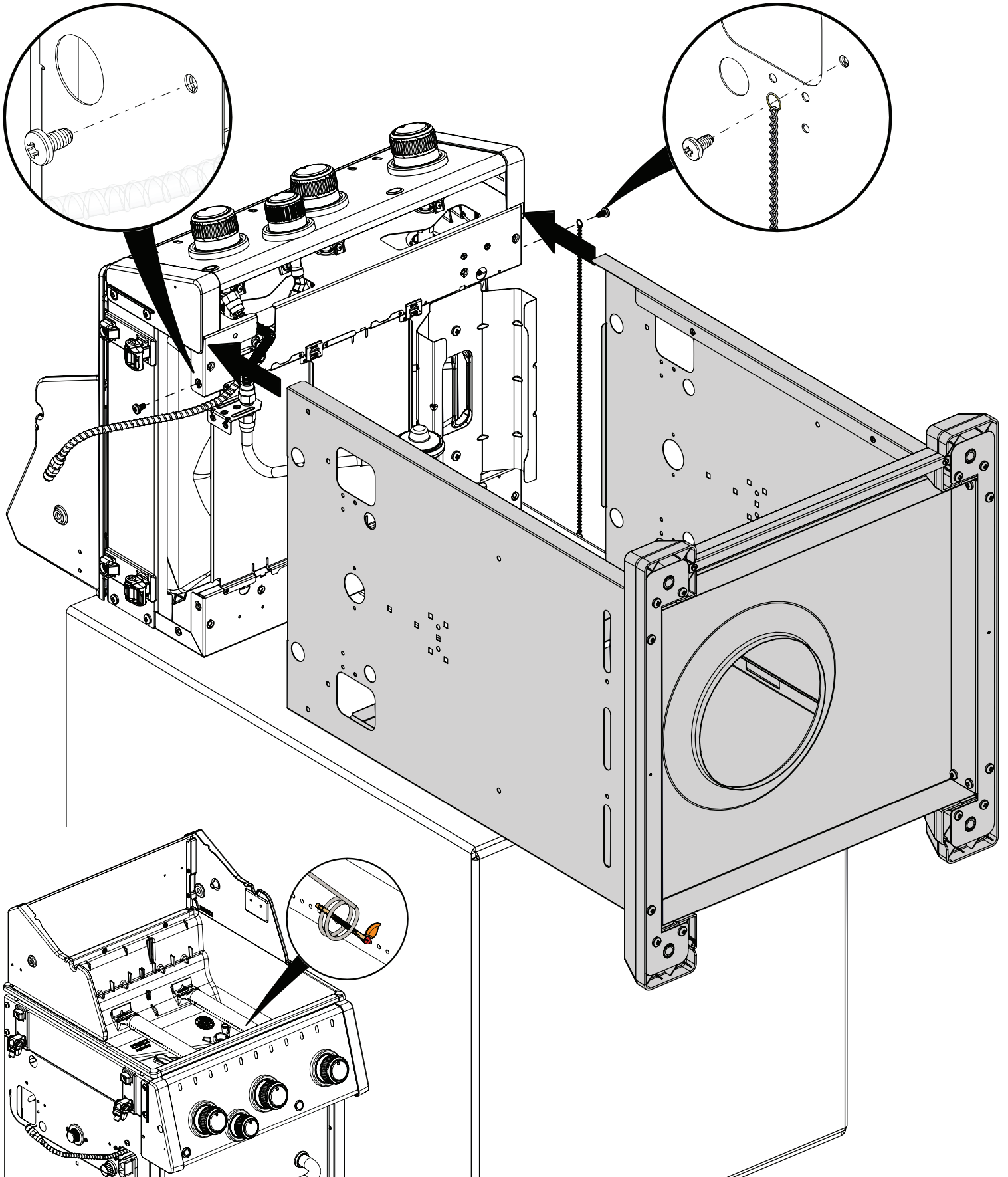


# 6

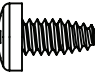
(2)

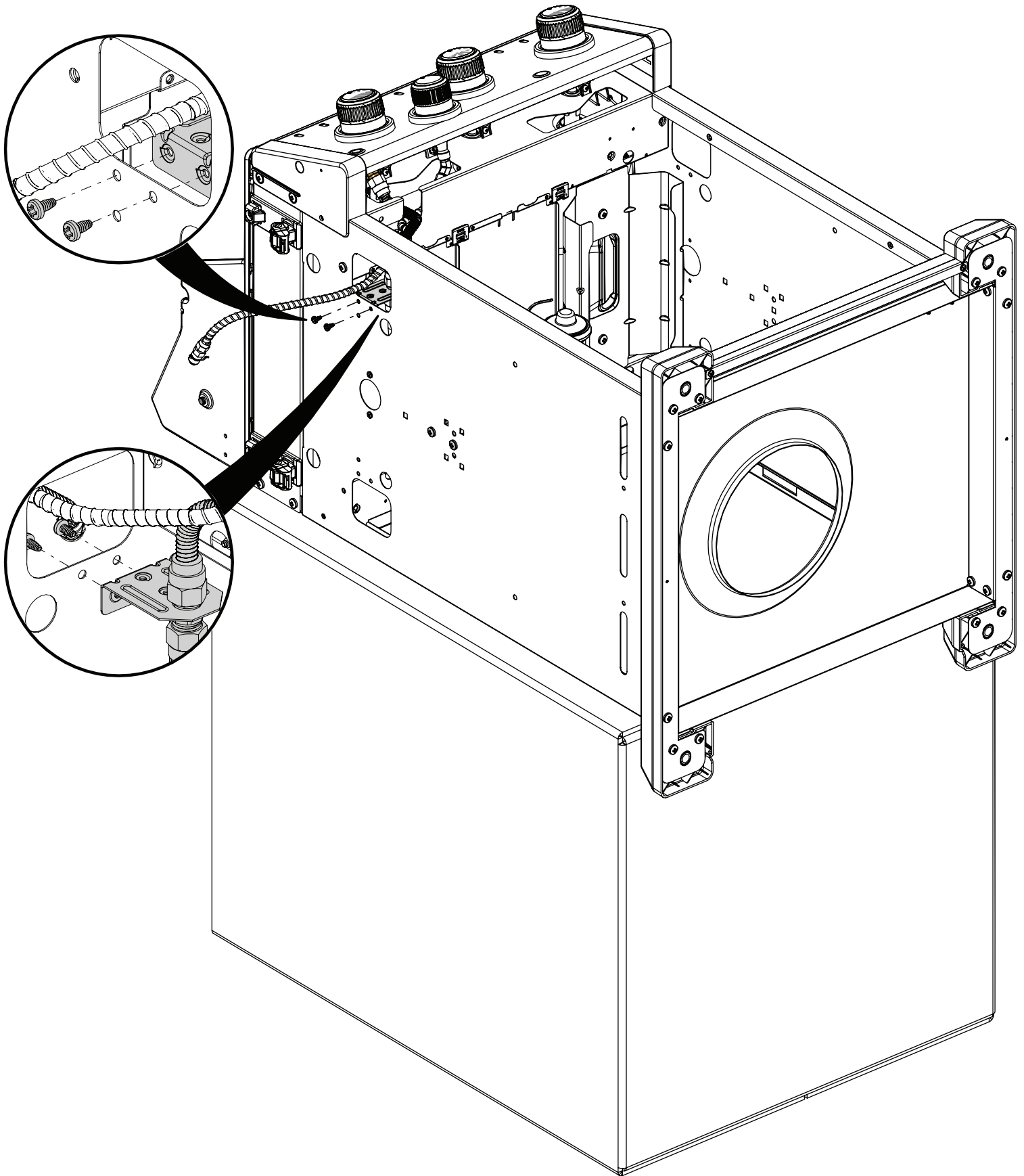


(1)




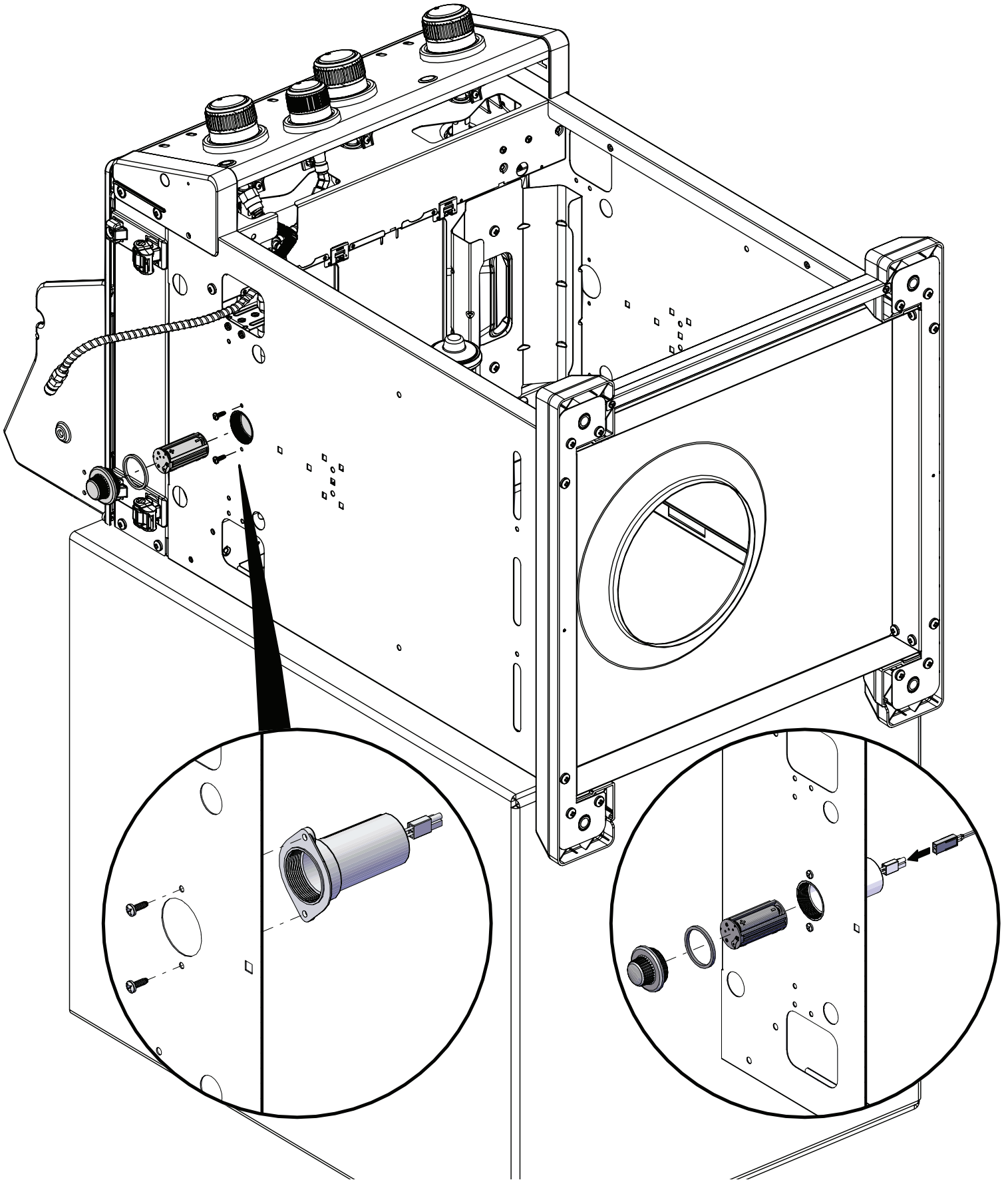
7

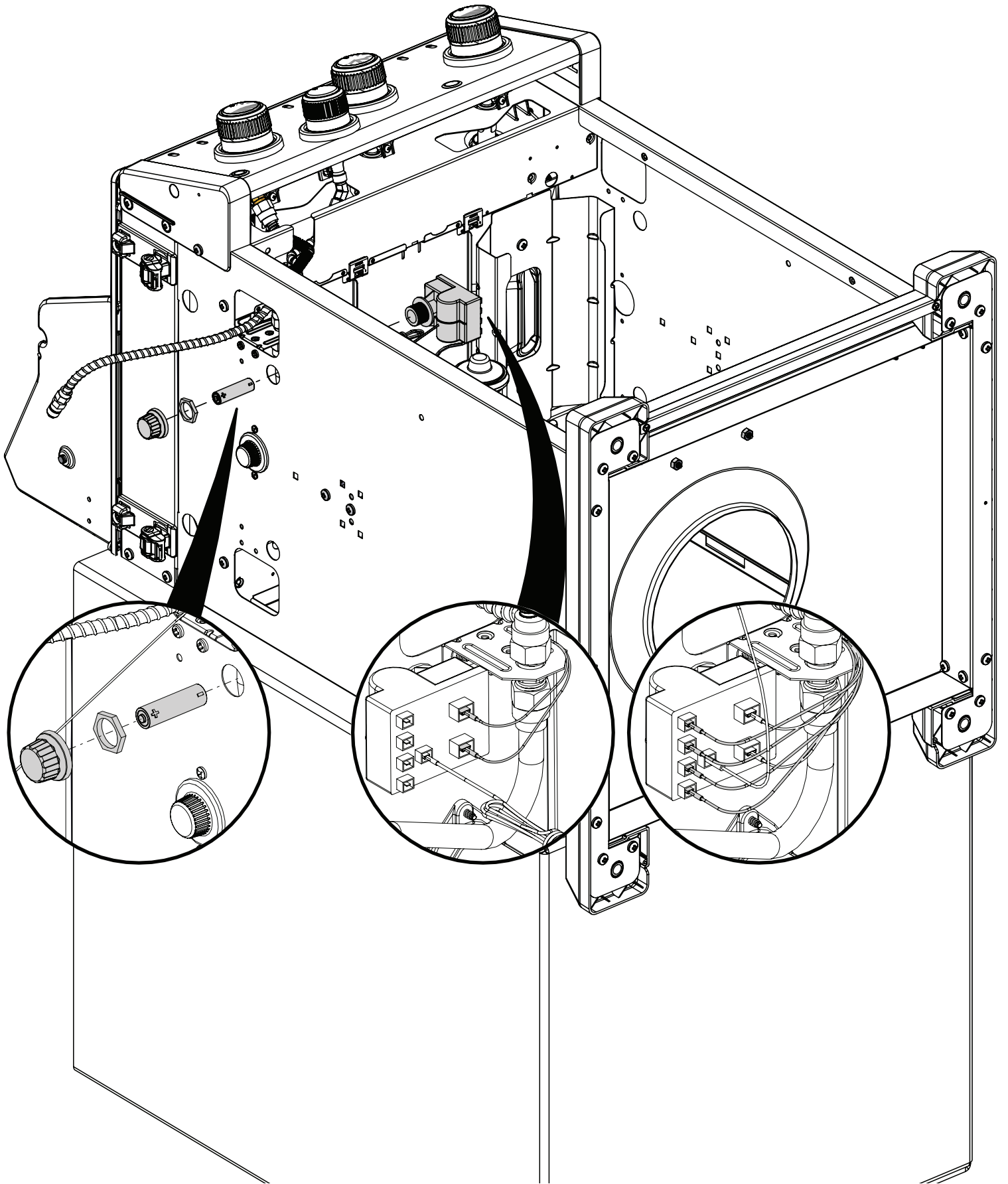
(2) 



8

(2) 



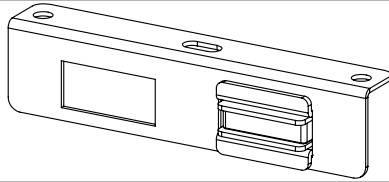




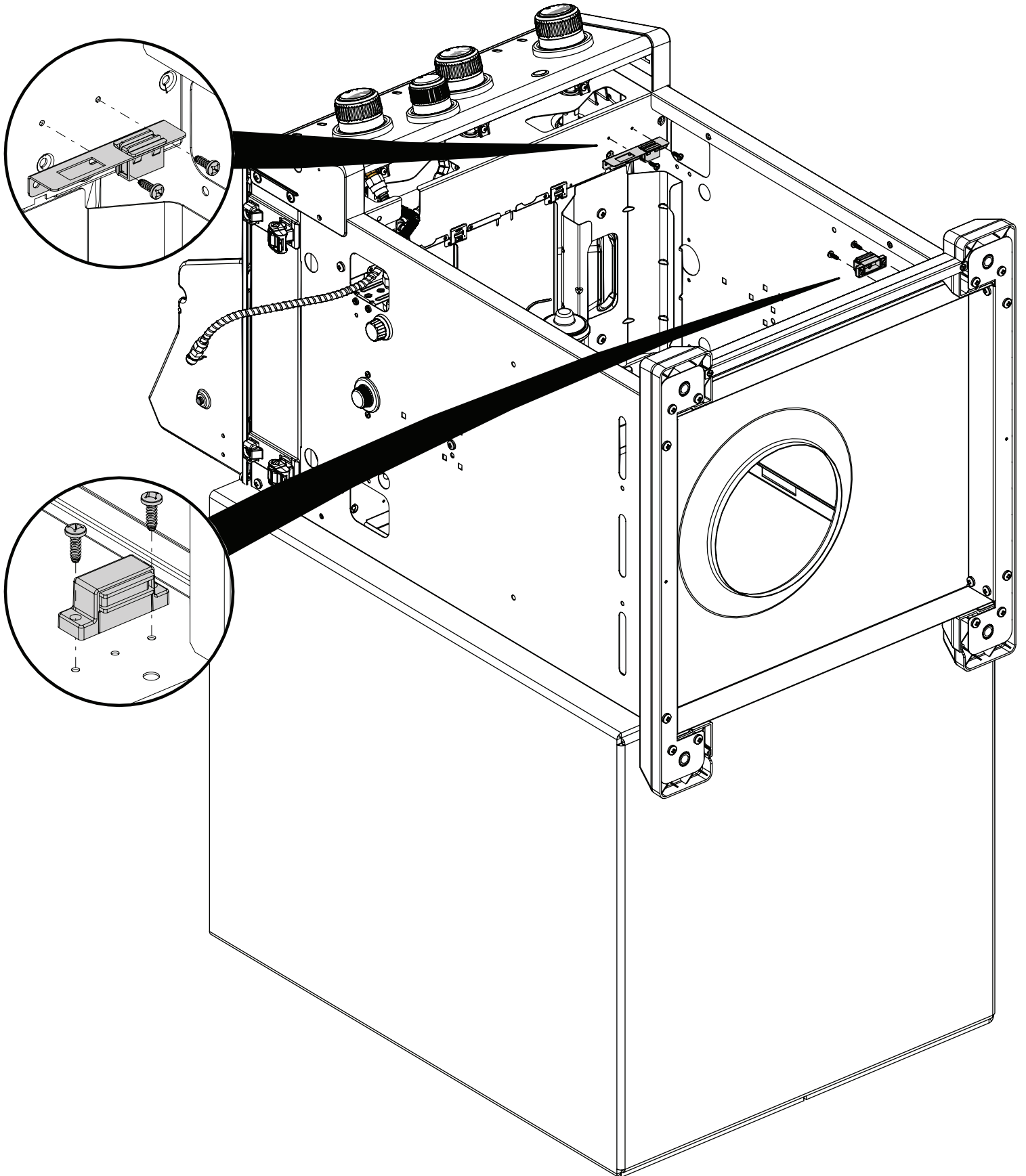
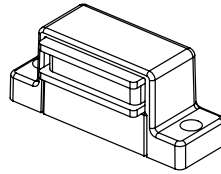
# 10

(4) 

(1)

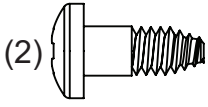
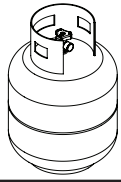


(1)

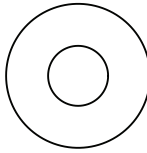




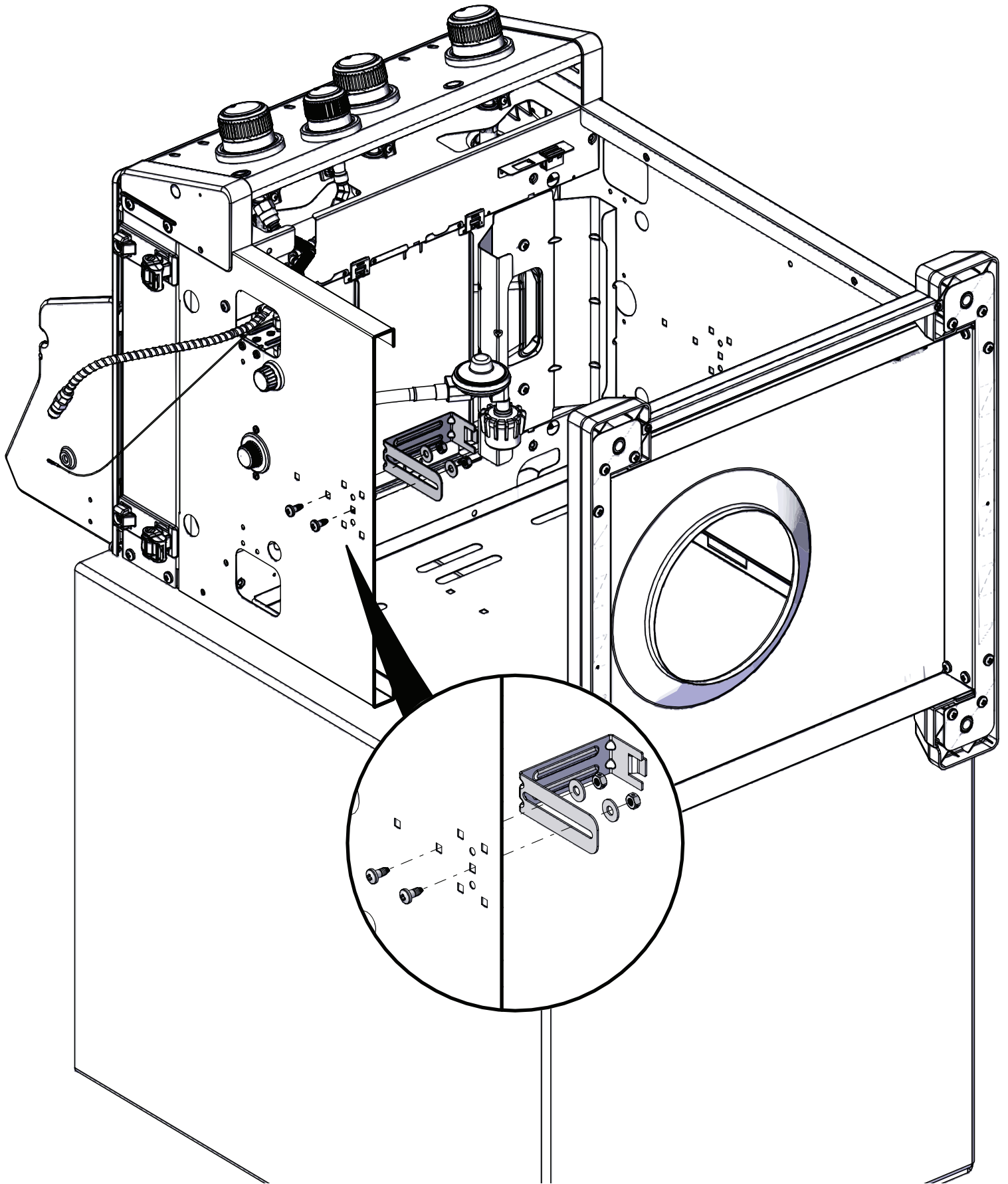
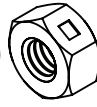
# 11



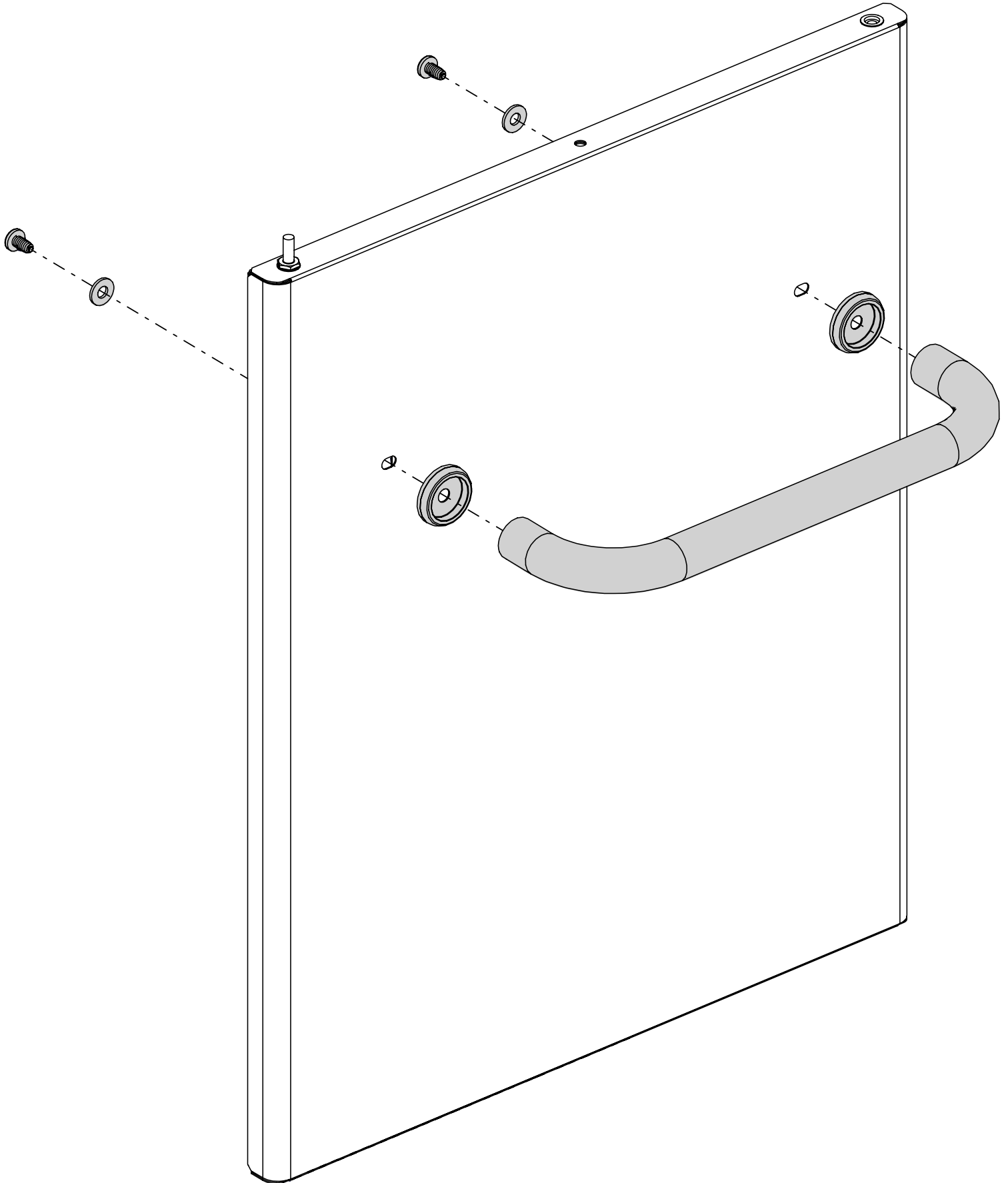
(2)



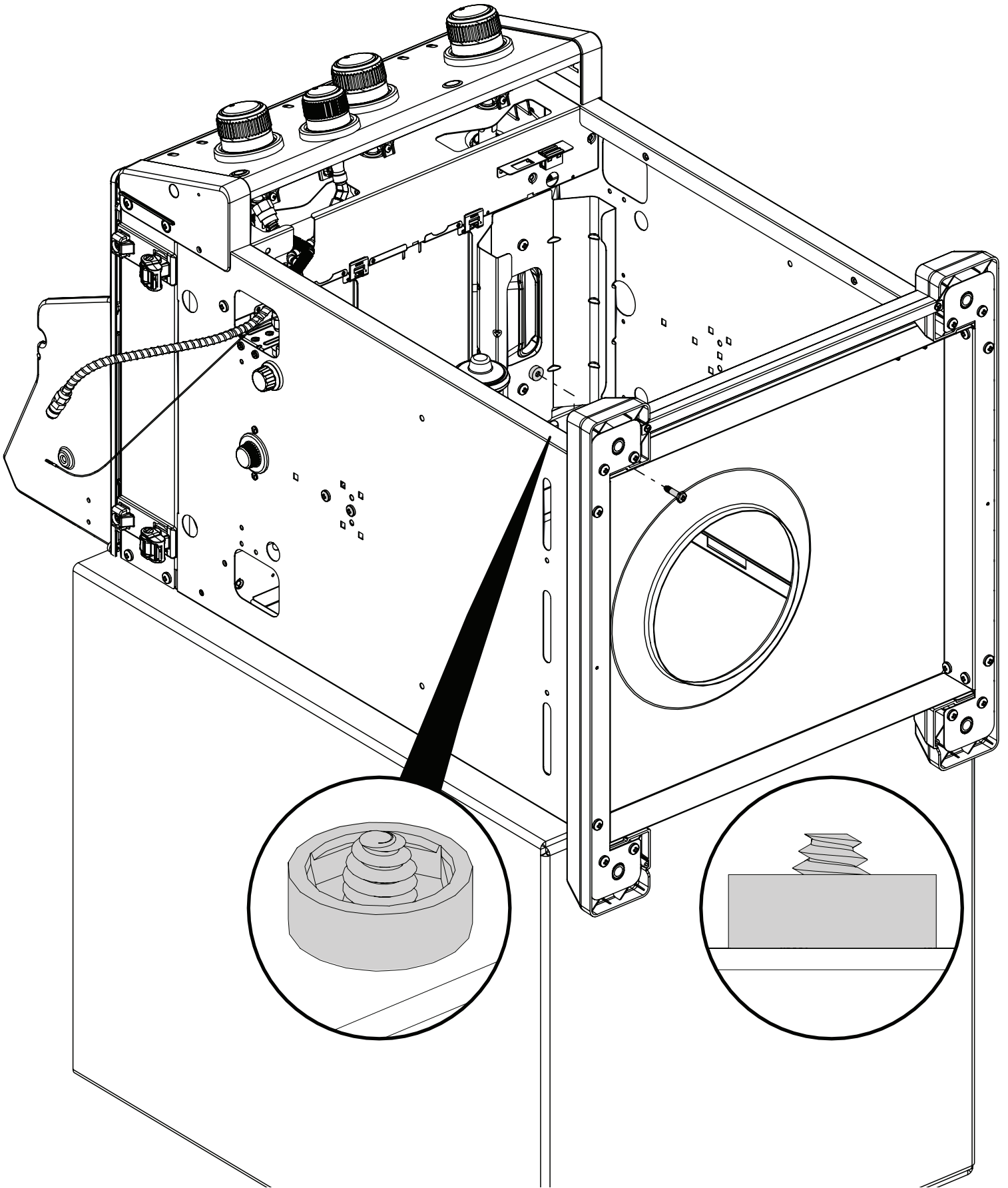
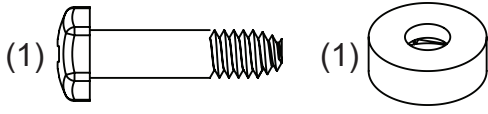
(2)

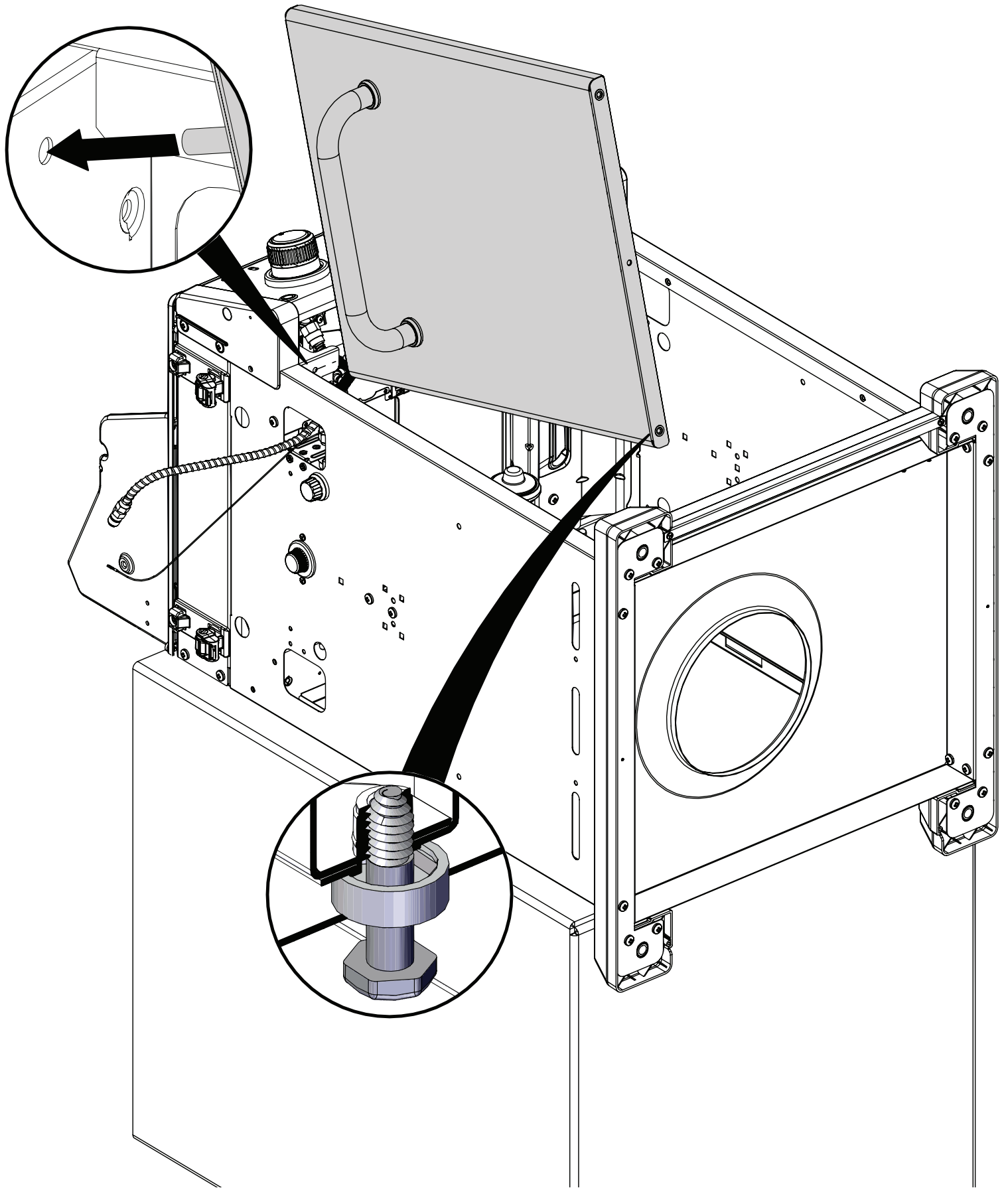


# 12



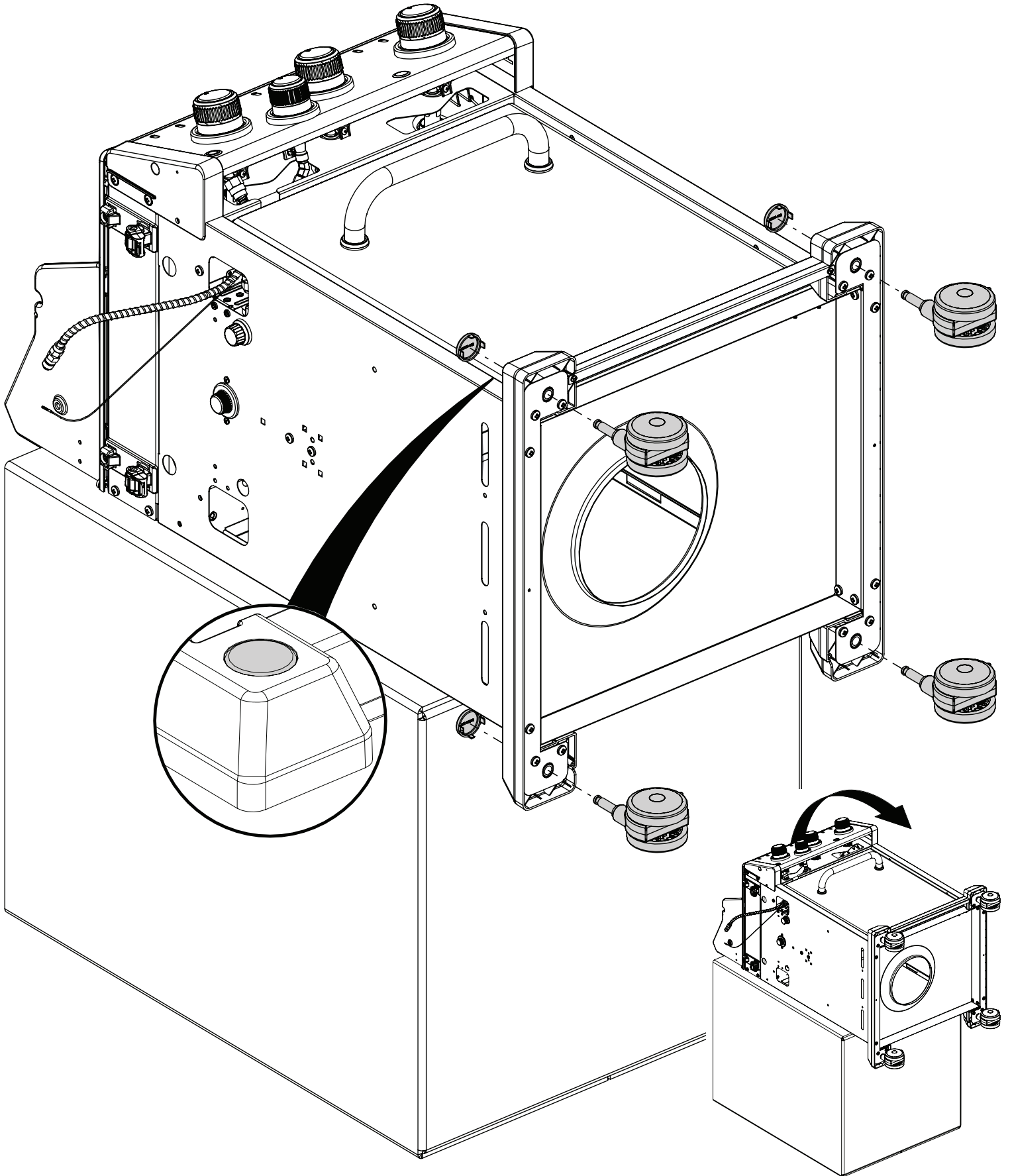
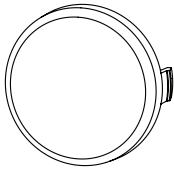
# 13





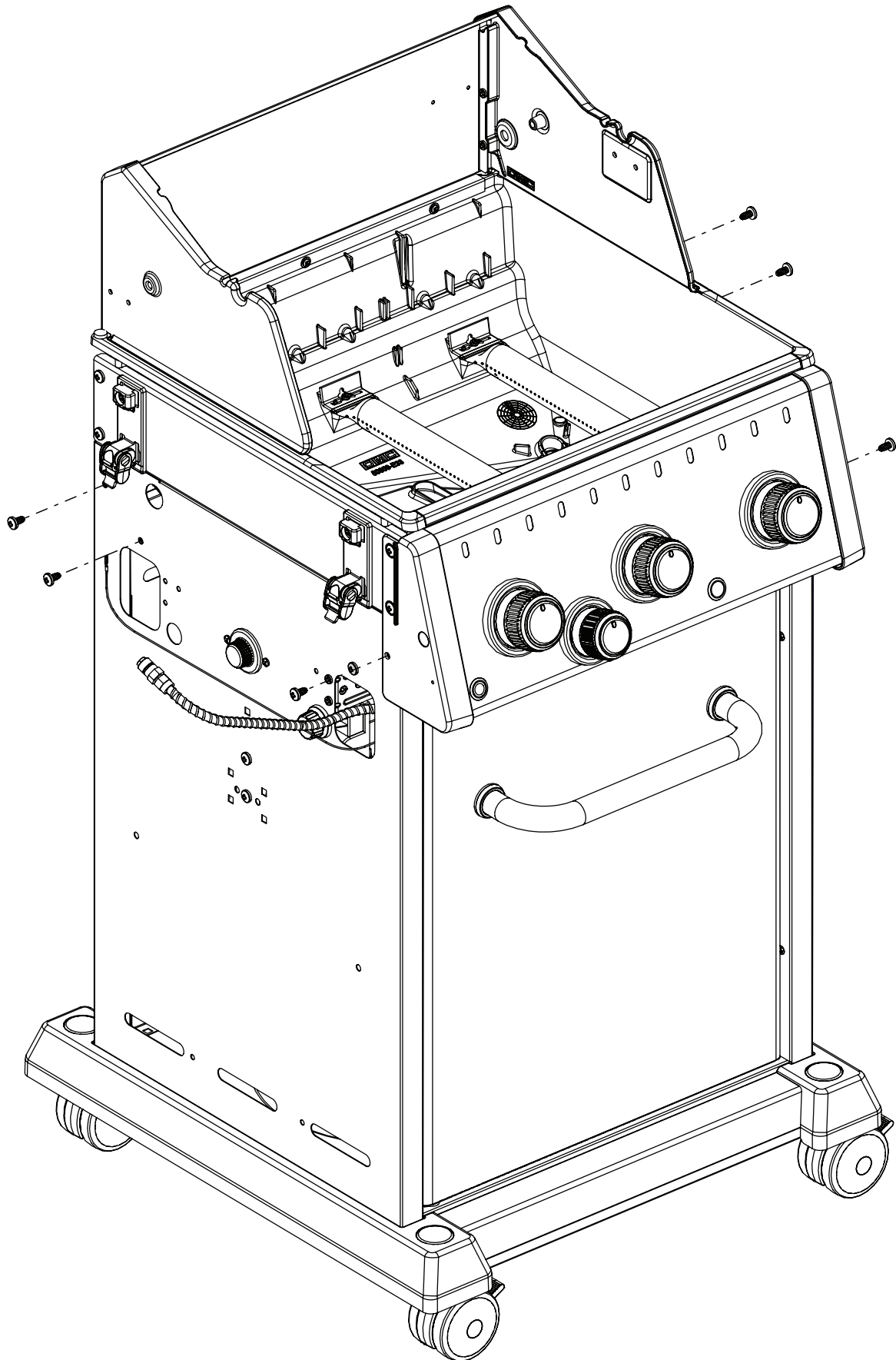
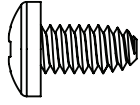
# 15

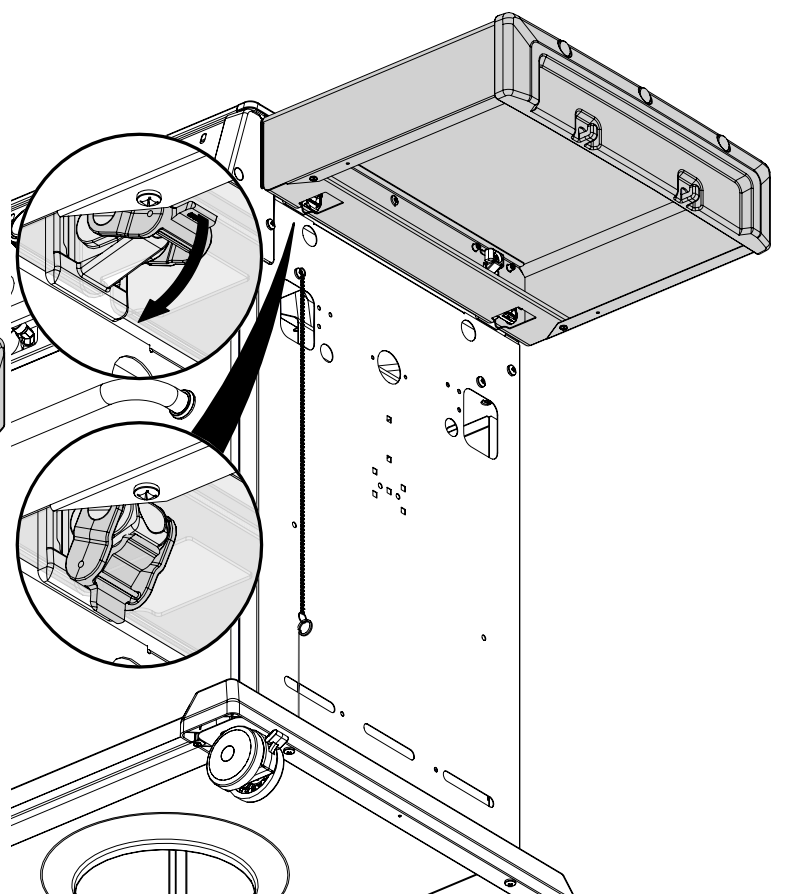
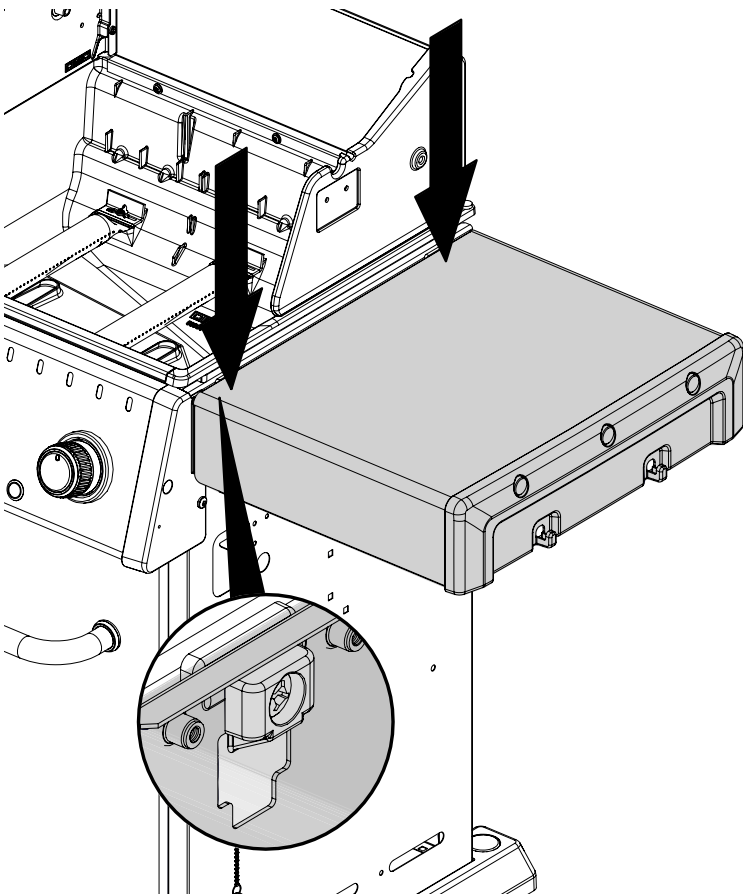
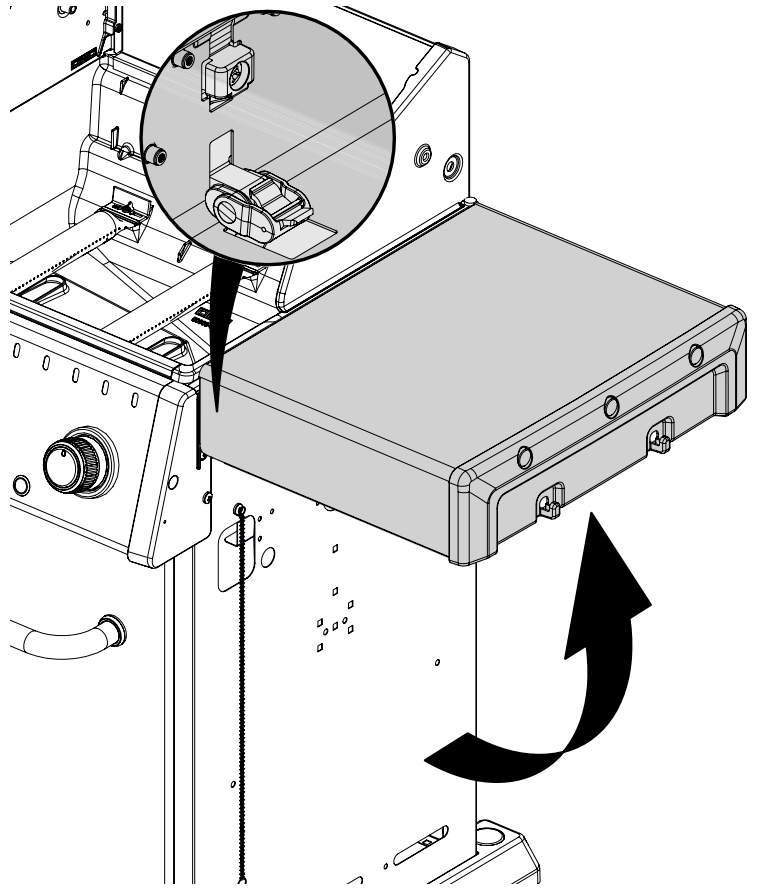
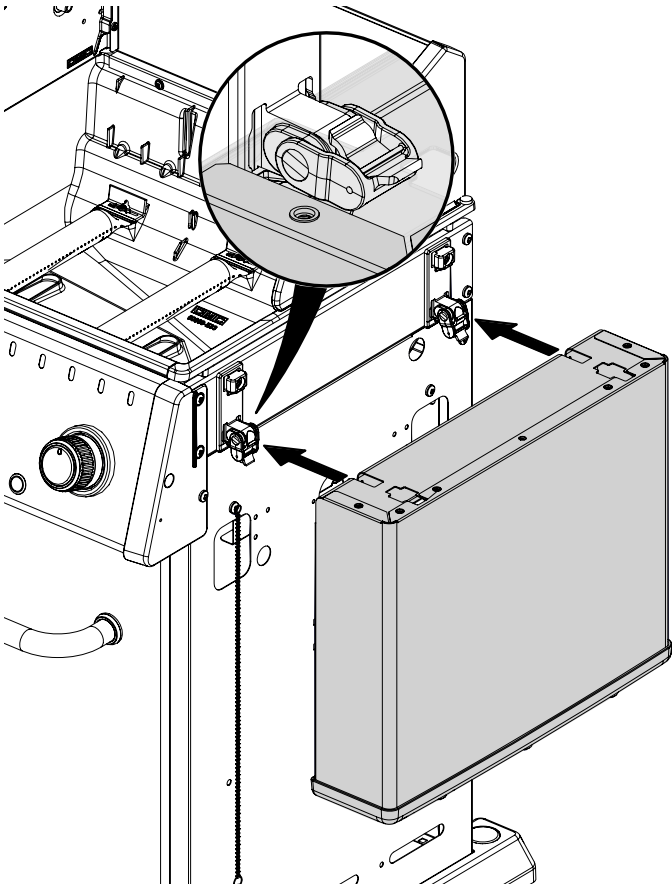
(4)



# 16

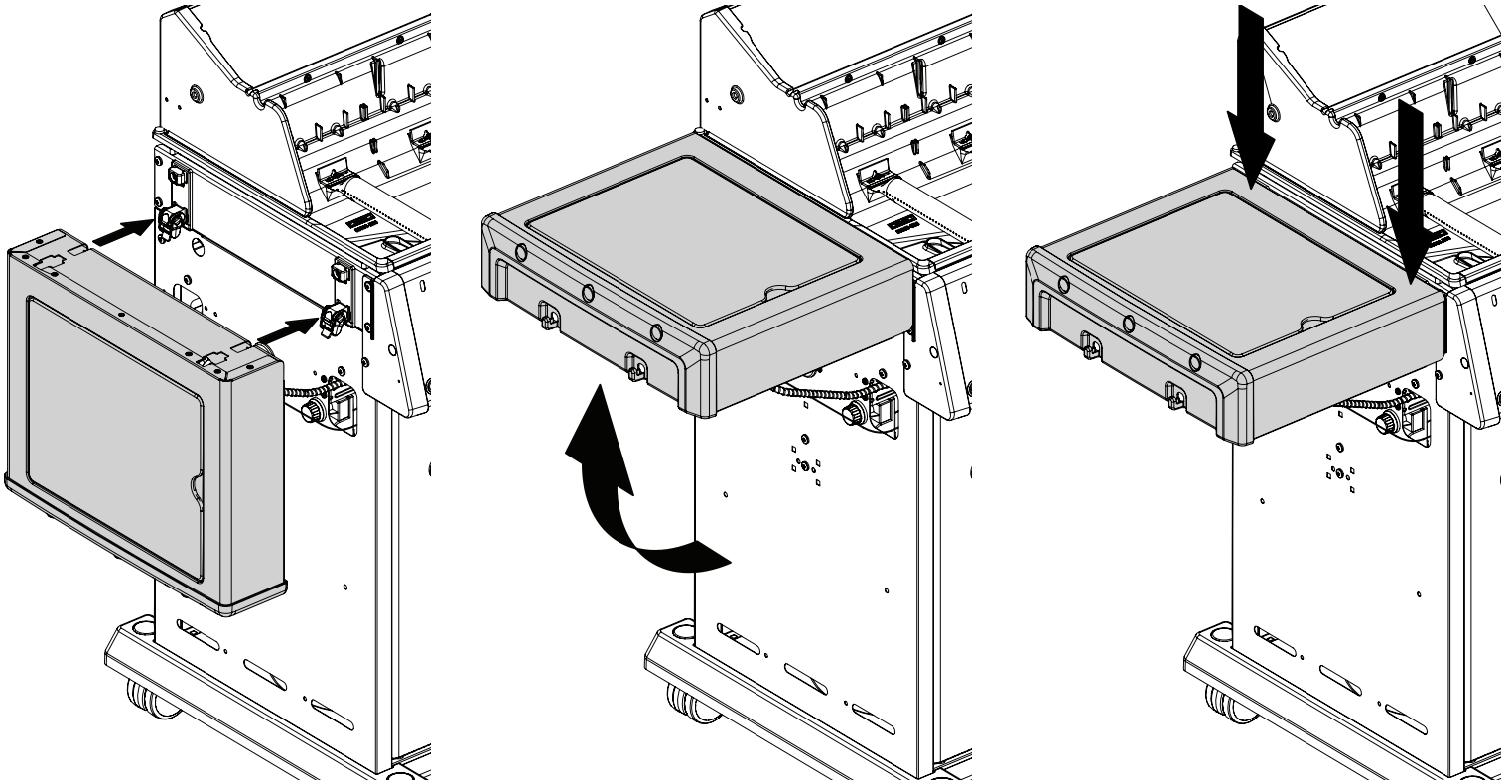
(6)



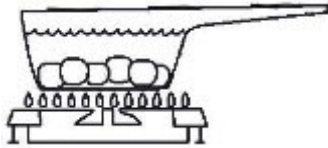




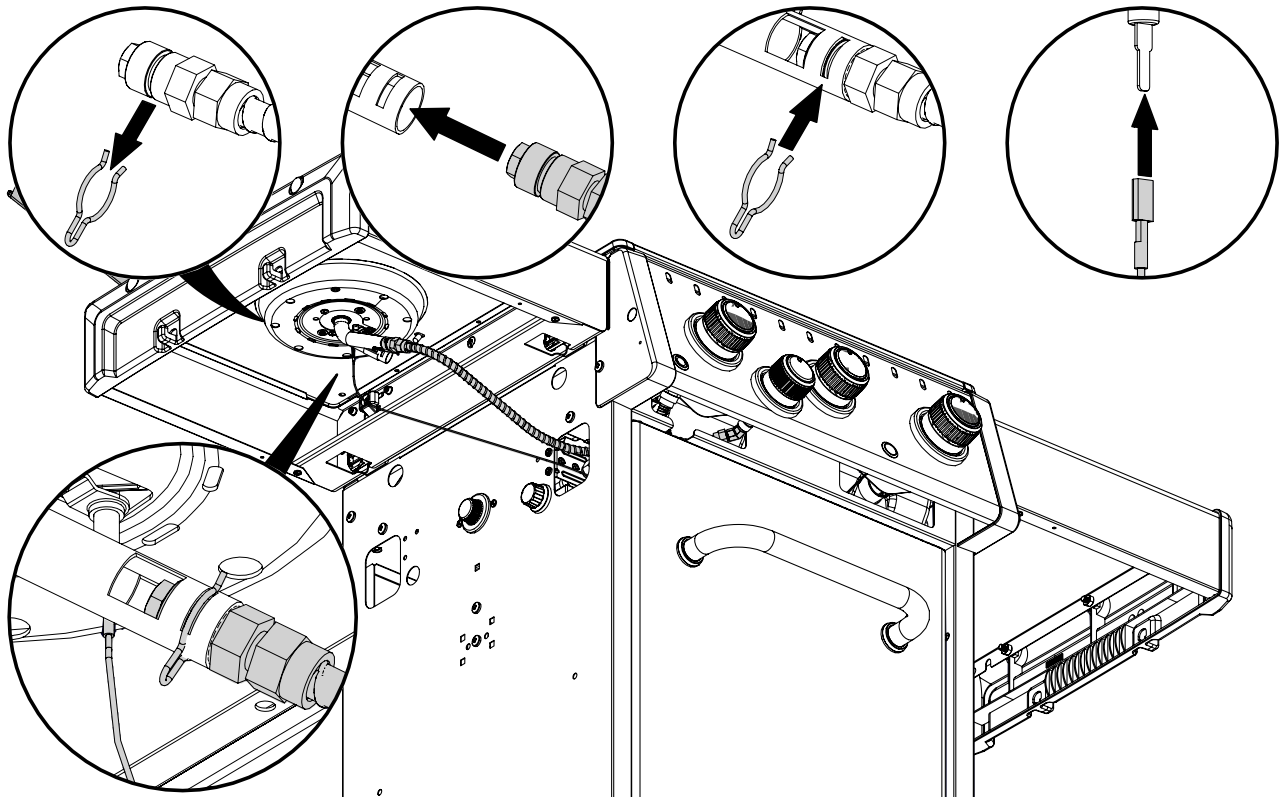
# 18



# 19

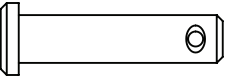
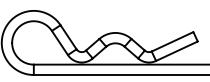


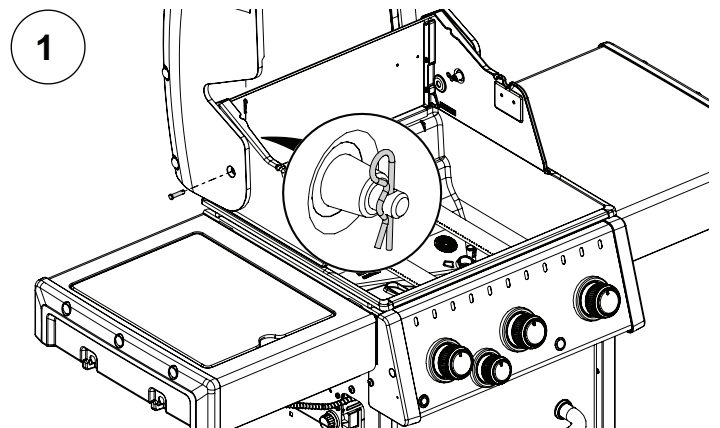
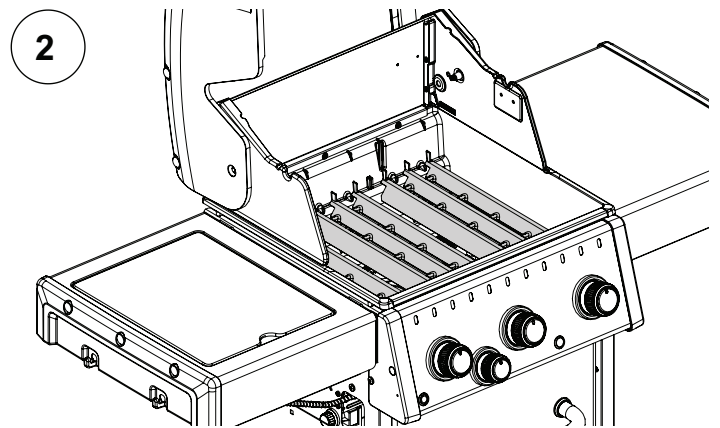
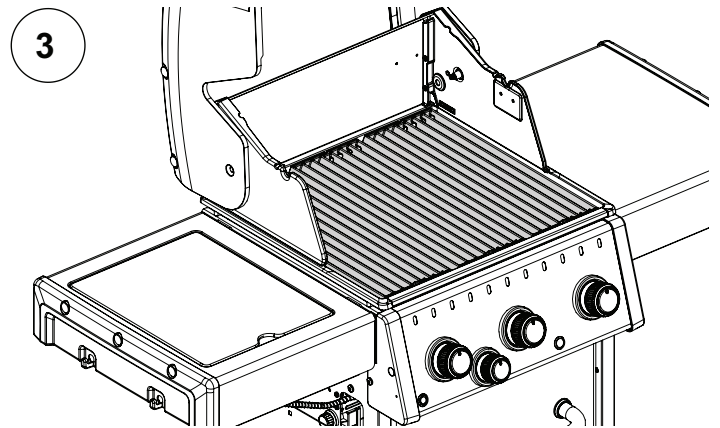
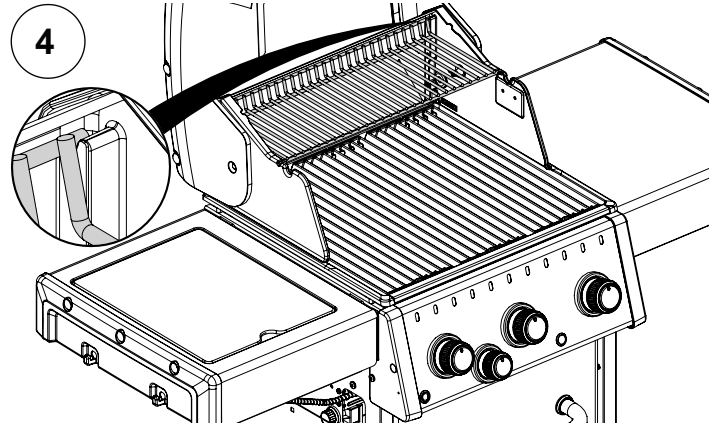
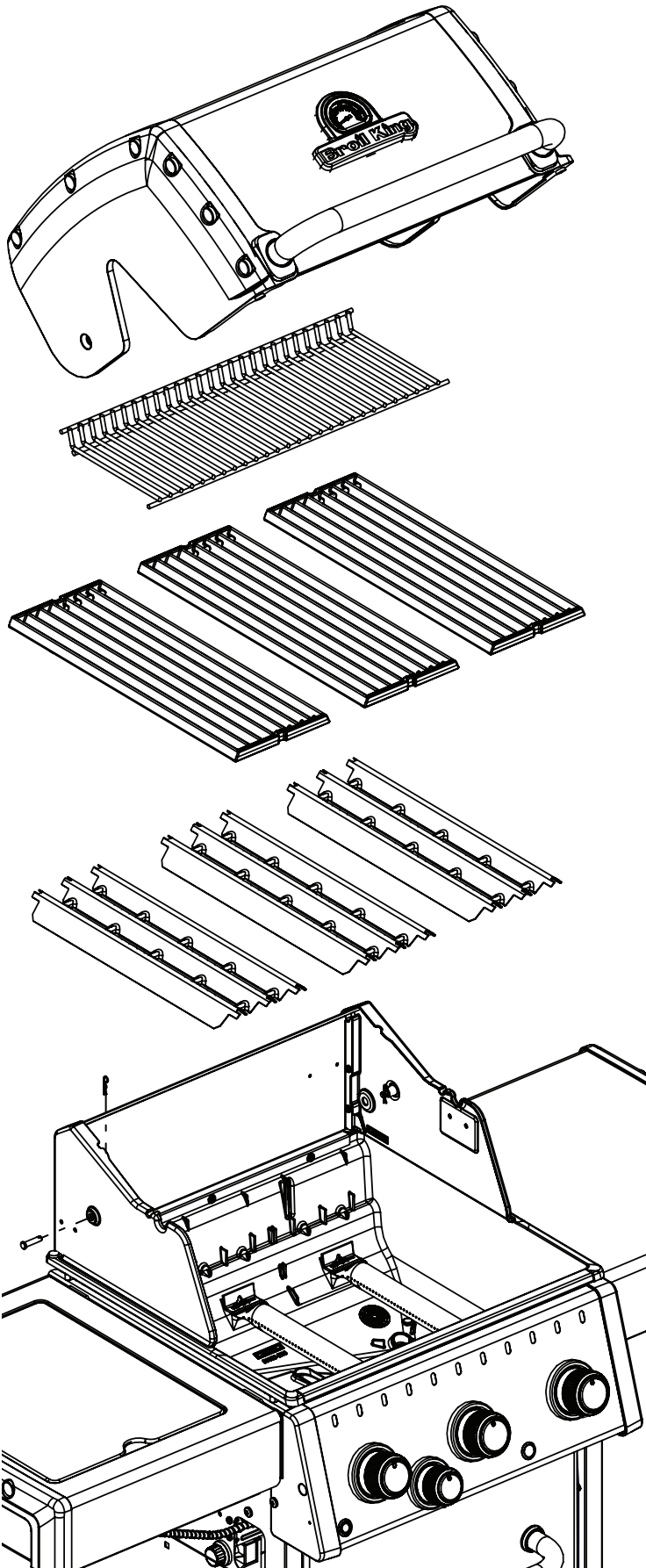
(1)

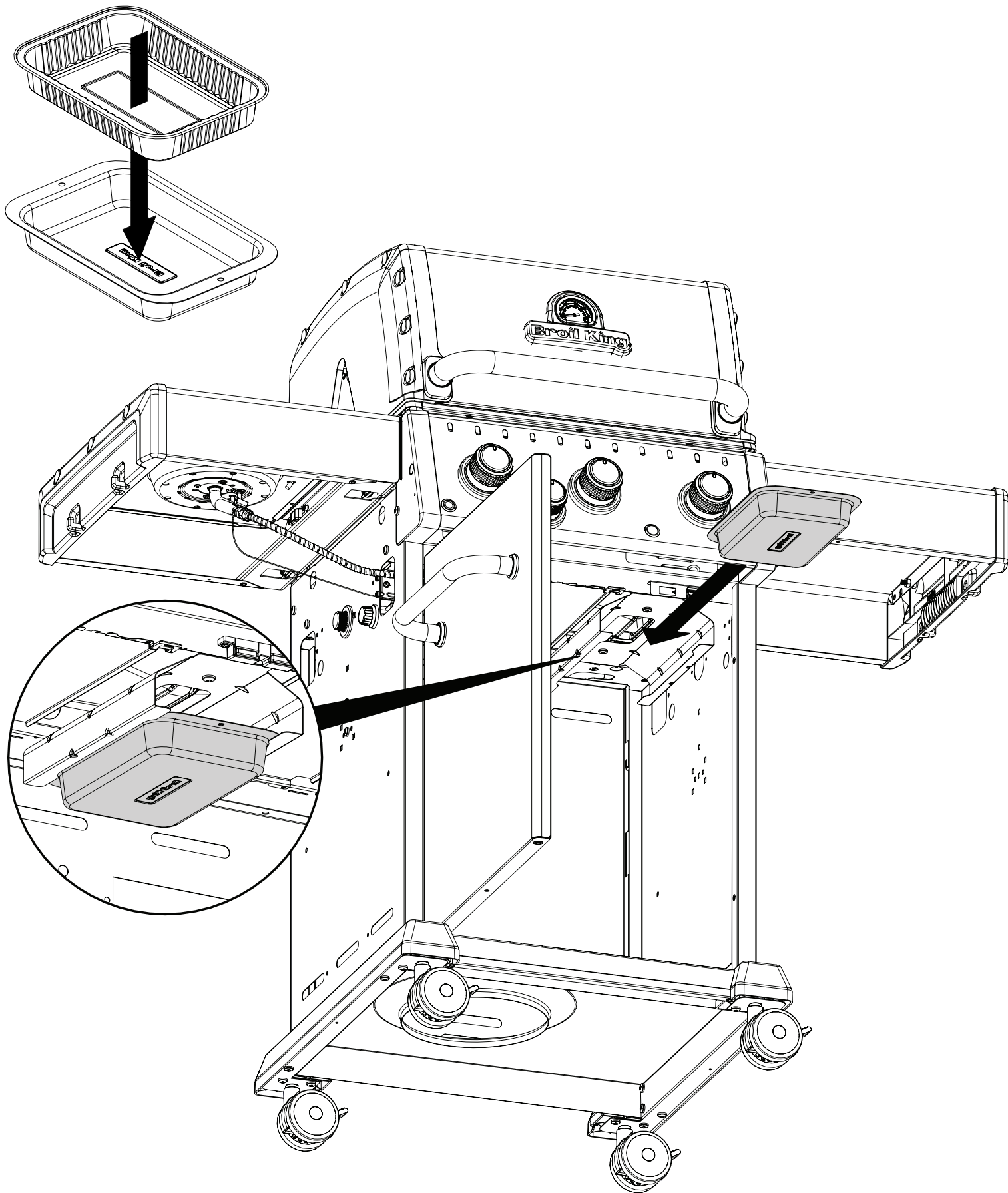




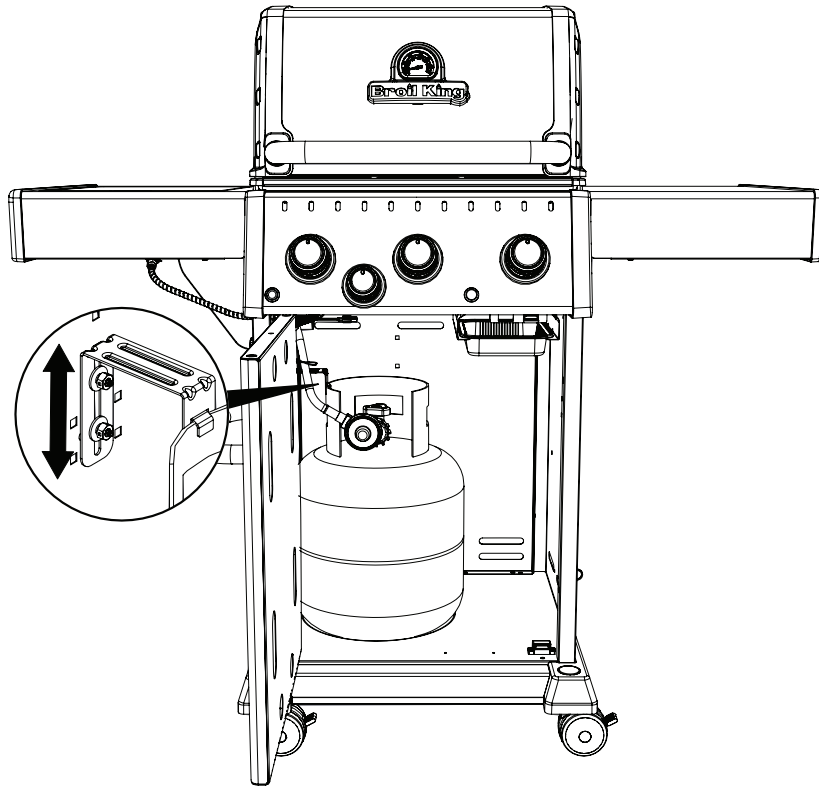
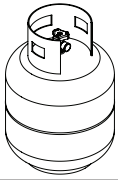
# 20

(2)  (2) 





22



23

