

This Owner's Manual is provided and hosted by [Appliance Factory Parts](#).



Broil King 8742-14 Owner's Manual

[Shop genuine replacement parts for Broil King 8742-14](#)



[Find Your Broil King Grill Parts - Select From 1349 Models](#)

----- Manual continues below -----

Broil King®

OWNER'S MANUAL

FOR USE WITH L.P. (LIQUID PETROLEUM GAS)
IN CANADA, PROPANE GAS



ANSI Z21.58-2018 / CSA 1.6-2018

CONTENTS

SAFETY	2
INSTALLATION	2
L.P. GAS CYLINDER.....	3
HOSE AND REGULATOR.....	4
LEAK TESTING	5
VENTURI TUBES	6
LIGHTING	7
OPERATION	8
COOKING TECHNIQUES	9
MAINTENANCE	12
TROUBLESHOOTING.....	13
WARRANTY	14
GUIDE DU PROPRIÉTAIRE DE BARBECUE AU GAZ....	15
MANUAL DEL USUARIO DE PARRILLA A GAS.....	29

NOTE TO INSTALLER: THESE INSTRUCTIONS MUST BE LEFT WITH THE CONSUMER.

DANGER

IF YOU SMELL GAS:

1. SHUT OFF GAS TO THE APPLIANCE
2. EXTINGUISH ANY OPEN FLAME
3. OPEN LID
4. IF ODOR CONTINUES, KEEP AWAY FROM THE APPLIANCE AND IMMEDIATELY CALL YOUR GAS SUPPLIER OR YOUR FIRE DEPARTMENT

WARNING

1. DO NOT STORE OR USE GASOLINE OR OTHER FLAMMABLE LIQUIDS OR VAPORS IN THE VICINITY OF THIS APPLIANCE
2. AN LP CYLINDER NOT CONNECTED FOR USE SHALL NOT BE STORED IN THE VICINITY OF THIS OR ANY OTHER APPLIANCE

PLEASE RECORD YOUR MODEL NUMBER, SERIAL NUMBER AND DATE OF PURCHASE HERE.

This information can be found on the black and silver OMC caution sticker on the back or side of your gas grill.

Model Number

Serial Number

Date of Purchase

dd / mm / yyyy

**READ ALL INSTRUCTIONS CAREFULLY BEFORE OPERATING YOUR GAS GRILL.
RETAIN THESE INSTRUCTIONS FOR FUTURE REFERENCE.**

FOR ASSEMBLY INSTRUCTION, PLEASE SEE YOUR ASSEMBLY MANUAL
OR VISIT www.omcbbq.com TO VIEW OUR ASSEMBLY VIDEOS.

1-800-265-2150
info@omcbbq.com

Onward
MANUFACTURING COMPANY
LIMITED
585 KUMPF DRIVE
WATERLOO, ONTARIO, CANADA
N2V 1K3

SINCE 1906

EN
20094-40LP REV M 09/20

SAFETY

Your new BROIL KING® gas grill is a safe, convenient appliance when assembled and used properly. As with all gas-fired products, however, certain safeguards must be observed. **Failure to follow these safeguards may result in serious injury or damage.** If you have questions concerning assembly or operation, consult your dealer, gas appliance specialist, Gas Company or our direct customer service line at 1-800-265-2150. / info@omcbbq.com

CAUTION

- **FOR OUTDOOR USE ONLY.**
- **IF STORED INDOORS, DETACH AND LEAVE CYLINDER OUTDOORS.**
- **THIS APPLIANCE MUST NOT BE OPERATED UNATTENDED.**
- **SPECIAL CARE MUST BE TAKEN TO KEEP SMALL CHILDREN AWAY FROM HEATED SURFACES.**

Use caution when handling or transporting this product. Metal edges can be hazardous. Use appropriate gloves when lifting or handling. Before lifting, remove side shelves, grids and grates.

ELECTRICAL CAUTION

1. If any accessory is used on this appliance that requires an external electrical power source, the accessory when installed must be electrically grounded in accordance with local codes. In the absence of local codes, the following standards apply:

(U.S.A.) ANSI/NFPA No. 70-Latest Edition and

(Canada) CSA C22.1 Canadian Electrical Code

2. Do not cut or remove the grounding prong from the plug.
3. Keep the electrical supply cord and fuel supply hose away from any heated surface.

⚠ WARNING

This product can expose you to chemicals including lead, which is known to the state of California to cause cancer, birth defects or other reproductive harm. **Wash your hands after handling this product.**

The burning of gas cooking fuel can expose you to chemicals including Carbon Monoxide, which is known to the state of California to cause cancer, birth defects or other reproductive harm. **To minimize exposure to these substances, always operate this unit according to the owner's manual, ensuring you provide good ventilation when cooking with gas.**

**FOR MORE INFORMATION GO TO
WWW.P65WARNINGS.CA.GOV**

INSTALLATION

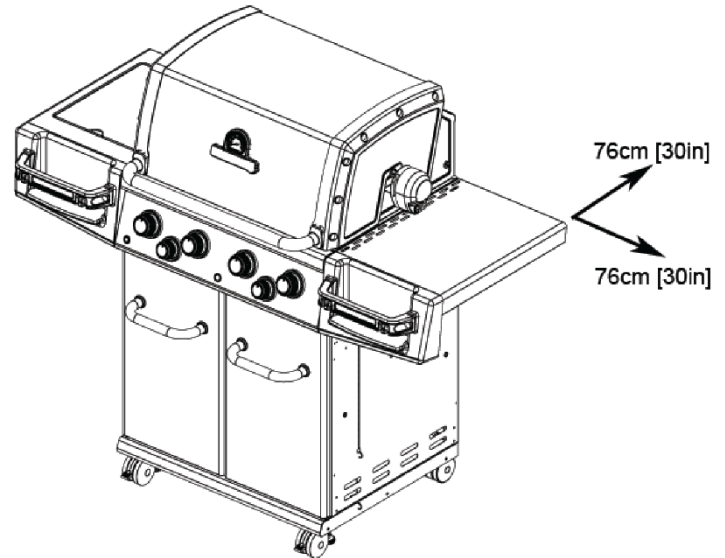
1. In the U.S.A., this appliance must be installed in accordance with the local code and the relevant national code:

ANSI Z223.1/NFPA 54 - Latest Edition National Fuel Gas Code and Latest Local Codes where Applicable

2. In Canada, this appliance must be installed in accordance with the local code and the relevant CSA standards:

CSA-B149.1 Natural Gas and Propane installation Code

3. The appliance must be located away from combustible surfaces by at least 76cm / 30" from each side, and 76cm / 30" from the rear.



4. Do **not** operate this appliance under any overhead roof construction or foliage.
5. This appliance is for **OUTDOOR USE ONLY, DO NOT** operate in garage, shed, balcony or other such enclosed areas.
6. **DO NOT** restrict the flow of air to the appliance.
7. Keep the area surrounding the appliance free of combustible materials, gasoline, and all flammable liquids and vapors.
8. This appliance is not intended to be installed in, or on, recreational vehicles and/or boats.
9. Keep the ventilation opening(s) of the cylinder enclosure free and clear from debris.

LP GAS CYLINDER PLACEMENT

The instructions below apply to LP models only. LP gas cylinders must be installed according to assembly instructions using retainer provided. Do not store a spare cylinder under or near this appliance. All cylinders used must be compatible with supplied means of cylinder retention.

LP GAS CYLINDER

The standard for outdoor gas appliances, ANSI Z21.58/ CAN/CGA-1.6, requires that LP gas cylinders used with LP gas appliances be equipped with both

- An Overfill Prevention Device (OPD)
- A QCC®-1 Quick Closing Coupling system

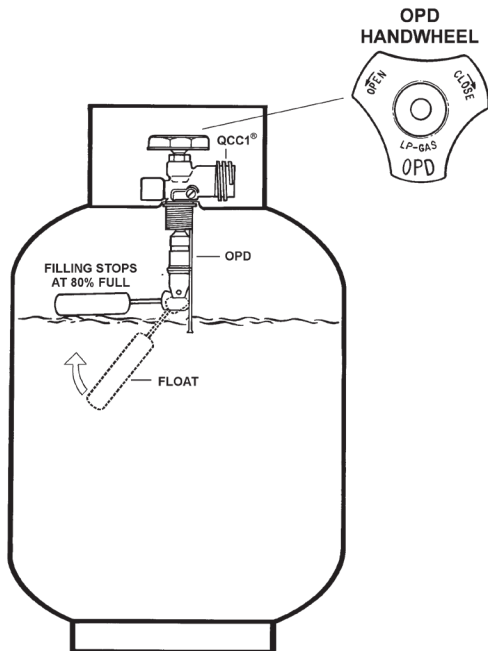
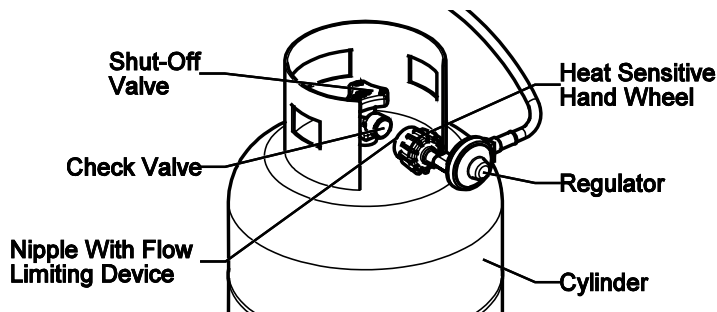
OVERFILL PREVENTION DEVICE

The OPD is designed to reduce the potential of over filling propane cylinders, thus reducing the possibility of relief valve discharges of raw propane. **The OPD causes a slower purge/fill operation.**

QCC®-1 QUICK CLOSING COUPLING

The QCC®-1 system incorporates safety features required by the American National Standards Institute (ANSI) and the Canadian Standards Association (CSA).

- Gas will not flow until a positive connection has been made
- A thermal element will shut off the flow of gas between 240° and 300° F
- When activated, a Flow Limiting Device will limit the flow of gas to 10 cubic feet / hour



The LP gas cylinder is not included with the Gas Grill.

Be sure to use an LP gas cylinder equipped with the OPD and the QCC® valve.

IDENTIFICATION

The QCC®-1 valve is recognized by the external threads on the inlet port of the LP gas cylinder valve.

The OPD hand wheel has been standardized to the shape shown. QCC® /OPD equipped LP gas cylinders are available from your Gas Grill Dealer.

NOTE: Any attempt to connect the regulator, by use of adapters or any other means, to any other valve could result in damage, fire or injury and may negate the important safety features in the QCC®-1 system.

SPECIFICATION

1. All LP gas cylinders used with this appliance must be constructed and marked in accordance with the Specifications for LP gas cylinders of the U.S. Department of Transportation (D.O.T.) or the National Standard of Canada, CAN/CSA-B339, Cylinders, Spheres and Tubes for Transportation of Dangerous Goods ; and Commission, as applicable.
2. The LP gas cylinder used for this appliance must not have a capacity exceeding 20 lb. (9 kg). Approximately 18" (46cm) high and 12" (31cm) diameter.
3. All LP gas cylinders used with this appliance should be inspected at every filling and re qualified by a licensed service outlet at the expiry date (10 years), in accordance with the DOT (USA) and Canadian Transport Commission (Canada) codes for LP Gas Cylinders.
4. All LP gas cylinders used with this appliance must be provided with a shutoff valve terminating in a cylinder valve outlet No. 510, specified in the Standard for Compressed Gas Cylinder Valve Outlet and Inlet Connection (USA) ANSI/CGA-V-1-1977 (Canada) CSA B96.
5. The LP gas cylinder supply system must be arranged for vapor withdrawal.
6. The LP gas cylinder must include a collar to protect the cylinder valve.
7. The LP gas cylinder must be installed as per assembly instructions.
8. Never fill the LP gas cylinder beyond 80% full. A fire causing death or serious injury may occur.
9. The LP gas cylinder valve must include a safety relief device having direct communication with the vapor space of the cylinder.

LP GAS CYLINDER

HANDLING

1. Government regulations prohibit shipping full LP gas cylinders. You must take your new cylinder to a LP gas dealer for filling.
2. A filled LP gas cylinder is under very high pressure. Always handle carefully and transport in the upright position. Protect the valve from accidental damage.
3. Do not tip the LP gas cylinder while connecting it to the regulator. Fasten the LP gas cylinder securely during transport, use and storage.
4. If the LP gas cylinder is tipped after it is connected to the regulator, shut off the gas, disconnect the regulator and have it checked before using it again.

STORAGE

1. Store the LP gas cylinder outdoors in a well-ventilated place.
2. Do not store the LP gas cylinder in direct sunlight, near a source of heat or combustion.
3. Do not store a spare LP gas cylinder in an enclosure. Disconnected cylinders must have a dust cap installed and must not be stored in a building, garage or any enclosed area.
4. Keep out of the reach of children.
5. When the LP gas cylinder is connected to the gas grill, the gas grill and LP gas cylinder must be operated outside in a properly ventilated place.

OPERATION

1. Never connect your gas grill to an LP gas cylinder without the regulator provided, and **NEVER TO AN UNREGULATED LP GAS SUPPLY**. The regulator supplied with the barbecue must be used.
2. **Always** leak test the LP gas cylinder to regulator connection when connecting the LP gas cylinder to the appliance. See "Leak Testing" (page 5).
3. **Do not** operate appliance if the smell of LP gas is present. Extinguish all flame and determine source of LP gas leak before proceeding. **Do not** ignite the appliance until the LP gas leak has been found and sealed.
4. **Always** shut off LP gas cylinder valve when the appliance is not in use.

HOSE & REGULATOR

1. LP gas grills are equipped with a hose and regulator with a QCC®-1 Quick Closing Coupling.
2. The QCC®-1 coupling contains a magnetic Flow Limiting Device which will limit the flow of gas should there be a leak between the regulator and the appliance valve. This device will activate if the cylinder valve is opened while the appliance valves are open. **Be sure the appliance valves are off before the cylinder valve is opened to prevent accidental activation.**
3. The QCC®-1 coupling incorporates a heat sensitive hand wheel that will cause the back check module in the QCC®-1 cylinder valve to close when exposed to temperatures between 240° and 300°F. Should this occur, do not attempt to reconnect the hand wheel. Remove hose/regulator assembly and replace with a new one.
4. The pressure regulator is set at 11 inches WC (water column) and is for use with LP gas only. The hose and hose couplings comply with CGA Standard CAN 1.83. No modifications or substitutions should be attempted.
5. Protect the hose from dripping grease and **do not allow the hose to touch any hot surface**, including the base casting of the barbecue.
6. Inspect the seal in the QCC®-1 cylinder valve when replacing the LP gas cylinder or once per year whichever is more frequent. Replace the seal if there is any indication of cracks, creases, or abrasion.
7. Inspect the hose before each use. If the hose is cracked, cut, abraded or damaged in any way, the appliance must not be operated.
8. For repair or replacement of the hose/regulator assembly, contact customer service.

CONNECTION

1. Be sure LP gas cylinder valve and appliance valves are "OFF."
2. Place full LP gas cylinder in LP gas cylinder well and secure as per assembly instructions.
3. Center the nipple in the LP gas cylinder valve and hold in place. Using other hand, turn the hand wheel clockwise until there is a positive stop. **Do not use tools. Hand tighten only. When making the connection, hold the regulator in a parallel with the LP gas cylinder valve, so as not to cross thread the connection.**
4. Leak test connections. See "Leak Testing" (Page 5).
5. Refer to lighting instructions. **To avoid activating the Flow Limiting Device when lighting, open LP gas cylinder valve slowly with the appliance valves off.** If the Flow Limiting Device is accidentally activated, turn LP cylinder valve off then turn all burners to OFF position. Disconnect the regulator from the cylinder. Wait two minutes. Re-attach regulator to the cylinder. Open the cylinder valve slowly. Wait one minute. Light grill as per "Lighting" (page 7).

DISCONNECTION

Always close LP gas cylinder valve and remove coupling nut before moving LP gas cylinder from specified operation position.

LEAK TESTING

All factory-made connections have been carefully tested for gas leaks. However, shipping and handling may have loosened a gas fitting.

AS A SAFETY PRECAUTION:

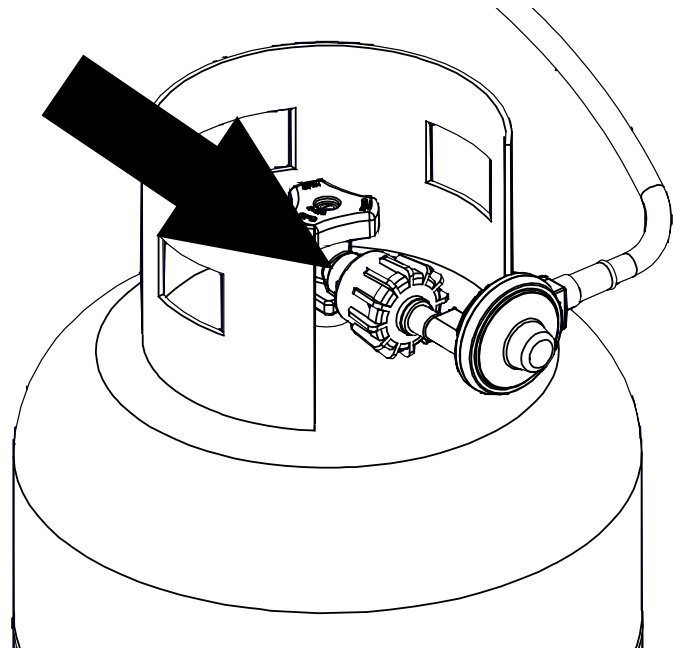
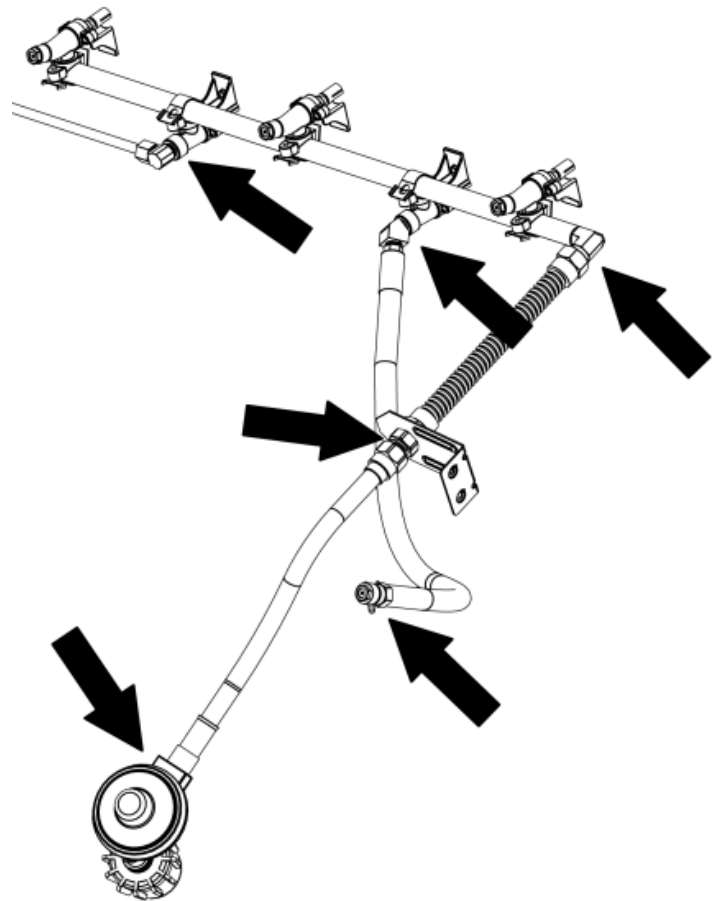
- Test all fittings for leaks before using your gas grill
- Test for leaks every time you disconnect and reconnect a gas fitting, at least once per year or after any period of nonuse
- Do not smoke while testing
- Never test for leaks with a lit match or open flame.
- Test for leaks outdoors.

TO TEST FOR LEAKS:

1. Prepare a soap solution of one part water, one part liquid detergent.
2. Extinguish any open flame or cigarettes in the area.
3. Make sure that gas grill valves are "OFF."
4. Make sure that cylinder valve is "OFF."
5. With a full gas cylinder, open cylinder valve slowly.
6. Brush the soap solution on each connection.
7. A leak is identified by a flow of bubbles from the area of the leak.
8. If a leak is detected, close the gas cylinder valve or the gas supply valve, tighten the connection and retest.
9. If the leak persists, contact your gas grill dealer for assistance. Do not attempt to operate appliance if a leak is present.

If your gas grill is equipped with a side burner or rear burner:

1. Follow steps 1 - 5 above
2. Place fingertip over the opening in the orifice at the end of hose.
3. Turn "SIDE"/"REAR" control to "HIGH."
4. Brush soap solution on each connection between orifice and control valve.
5. Turn "SIDE"/"REAR" control to "OFF".



VENTURI TUBES

- Always keep venturi tubes clean
- Blockages in the venturi tubes caused by spiders, insects and nests can cause a flashback fire
- Although the gas grill may still light, the backed up gas can ignite and cause a fire around the venturi tubes at the control panel or the side burner



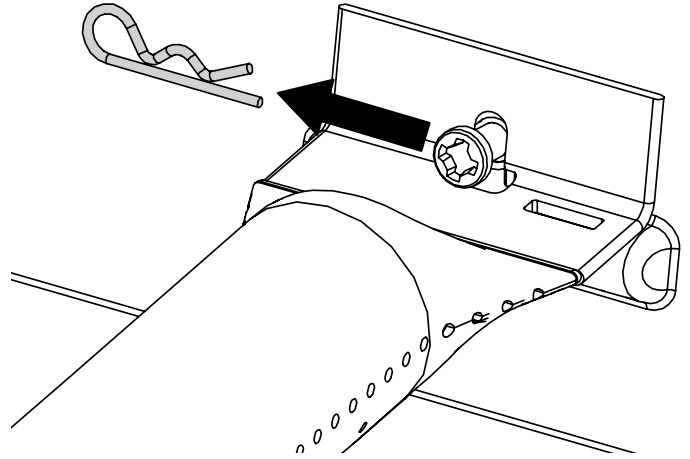
If a flashback fire occurs, turn off gas at the source immediately

Inspect and clean the venturi tubes (main burner, side burner, rear burner) if any of the following symptoms occur:

1. You smell gas.
2. Your gas grill does not reach temperature.
3. Your gas grill heats unevenly.
4. The burners make popping noises.

INSPECTING & CLEANING VENTURI TUBES

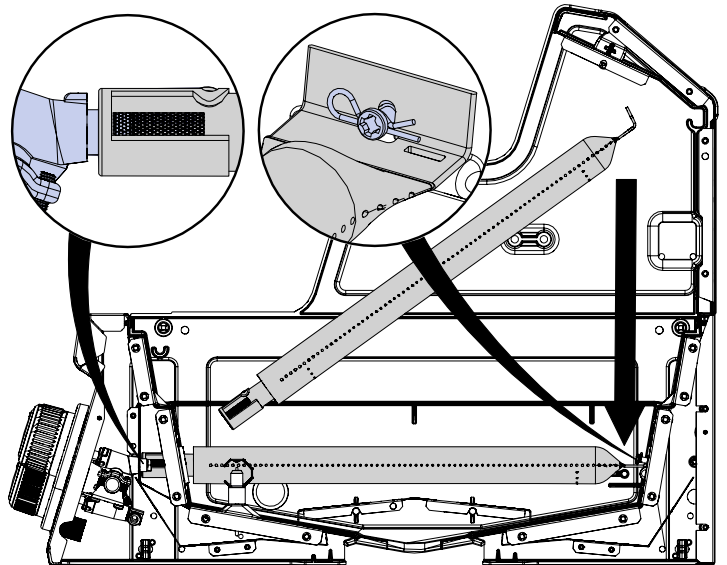
1. Be sure that cylinder valve is "OFF".
2. When gas grill is cool, remove the burner fasteners. Proceed to lift the burners from the gas grill housing.



3. Clean the venturi tubes with a pipe cleaner or venturi cleaning tool (Accessory #77310 or #18270).



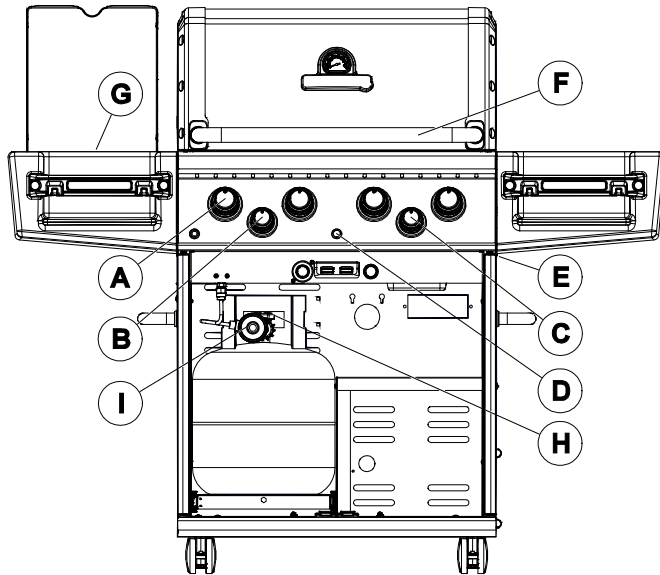
4. Lower the burner into position in the gas grill housing, making sure that the venturi tubes are correctly aligned and fitted on the orifices.



5. Secure burners with burner fasteners.

LIGHTING

BASIC GAS GRILL COMPONENTS



- A. Main burner controls
B. Side burner control
C. Rear burner control
D. Ignitor
E. Manual lighting hole
F. Handle
G. Side burner
H. Cylinder valve

LIGHTING INSTRUCTIONS

- The grill must be assembled and installed as per the assembly and installation instructions.
 - Ensure LP cylinder is full and properly connected to the regulator. See: "Hose and Regulator" (Page 4).
 - Ensure there are no gas leaks in the gas supply system. See: "Leak Testing" (Page 5).
 - Ensure that the venturi tubes are properly located over the gas valve orifices. See Venturi diagram, (Page 6).
 - Ensure that Main Burner, Side Burner and Rear Burner ignition wires are connected.
 - Check that the battery has been installed in the electronic ignition.
 - Carefully review all instructions on the information plate attached to the gas grill.
1. **Open lid before lighting.**
 2. **Do not lean over gas grill while lighting.**
 3. Set control knobs to "OFF" and turn on the gas supply.

LIGHTING THE MAIN BURNER:

To light burner with the ignitor:

4. Push and turn one main burner control knob to "HIGH."
5. Push and hold down the ignitor.
6. Burner should ignite within 5 seconds; turn off gas source immediately if ignition does not occur in this timeframe.

To light burner with a match:

4. Use the match holder and, apply lit match to burner port.
5. Push and turn right main burner control knob to "HIGH."
6. Burner should ignite within 5 seconds; turn off gas source immediately if ignition does not occur in this timeframe.
7. After the first burner is lit, push and turn the adjacent main burner control knob to "HIGH" then repeat for other burners; these burners should light automatically without the ignitor.

Note: In windy conditions, ignite each burner individually.

LIGHTING THE SIDE BURNER:

To light burner with the Ignitor:

4. Push and turn side burner control knob to "HIGH."
5. Push and hold the ignitor button.
6. Burner should ignite within 5 seconds.

To light burner with a match:

4. Apply lit match to burner ports.
5. Push in the side burner control knob and turn to "HIGH."
6. Burner should ignite within 5 seconds.

Note: Pots on the side burner must not exceed 9" (23 cm) in diameter or 15 lbs. (7 kg) in weight.

LIGHTING THE REAR ROTISSERIE BURNER:

Warning: do not operate the main burner simultaneously with the rear burner.

• REMOVE THE WARMING RACK

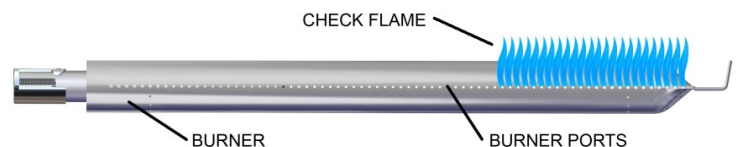
To light burner with the Ignitor:

4. Push and turn rear burner control knob to "HIGH."
5. Push and hold the ignitor button.
6. Burner should ignite within 5 seconds.

To light burner with a match:

4. Apply lit match to burner ports.
 5. Push in the rear burner control knob and turn to "HIGH."
- Burner should ignite within 5 seconds.

CAUTION: Check your gas grill after lighting. All burner ports should show a 2.5cm / 1" flame on "HIGH."



If any of the following symptoms occur there is probably a blockage in the venturi tubes. Shut off gas at once and clean the venturi tubes. See "Venturi Tubes." (Page 5)

1. You smell gas.
2. A flashback fire occurs.
3. Your gas grill heats unevenly.
4. The burners make popping noises.

IF BURNER DOES NOT IGNITE:

- Push and turn control knob to "OFF." Wait 5 minutes then try again with control knob set at "MEDIUM"
- If any burner will not light, see "Troubleshooting" on page 21. If problem persists, do not attempt to operate the appliance; contact OMC, your dealer or an approved service center.

SHUTDOWN:

1. Turn LP gas cylinder valve or gas supply valve off.
2. Turn control knobs to "OFF".

OPERATION

WARNING

NEVER cover slots, holes, or passages in the front or bottom of the grill or cover an entire rack with material such as aluminum foil. Doing so blocks air flow through the grill and may cause over heating or carbon monoxide poisoning.

First Time Use

Before cooking on your gas grill for the first time, clean the components and preheat the appliance to rid it of any odors or foreign matter in the following manner:

- Remove and clean the cooking grids and Flav-R-Wave™ with mild soap and water
- With cooking grids and Flav-R-Wave™ removed, light the gas grill following lighting instructions (see Page 15) and operate the gas grill on “**Medium**” for **30 minutes**. Next, turn gas source off then turn all control knobs to the “OFF” position
- Let grill cool, then replace the Flav-R-Wave™
- Season the cooking grids by coating grids with an organic cold processed cooking oil with a high smoke point, light the grill and operate on Med/Low for 30 minutes
- Recommended cooking oils:
 - Avocado Oil – smoke point (260C/500F)
 - Rice Bran Oil – smoke point (255C/490F)
 - Canola Oil – smoke point (204C/400F)
- You are ready to grill. Proceed to “Preheating”

Preheating

- **Preheat the gas grill on MEDIUM** with the lid closed for 15 minutes
- Clean cold grids with a nylon grill brush (Item # 65643) or hot grids with a stainless steel wire grill brush (Item #'s 65225, 64014, 64034) and carefully inspect to ensure there are no broken bristles left on the grid
- Coat the grids with a high smoke point cooking oil
- Adjust heat as appropriate for what you are grilling

Lid Position

The position of the lid during cooking is a matter of personal preference, but the gas grill cooks faster, uses less fuel, and controls the temperature best with the lid closed.

A closed lid also imparts a smokier flavor to meat cooked directly on the grid, and is essential for smoking and convection cooking.

Vaporization Systems

Your gas grill is designed for use with the included Flav-R-Wave™ vaporization system. Do not use lava rock, ceramic briquettes or any other vaporization system other than the one that came with the gas grill.

COOKING TEMPERATURES

BROIL KING gas grills are:

- High-performance appliances capable of high searing temperatures
- Designed with controlled airflow to retain heat and minimize fuel consumption

Rarely, if ever, will you require the HIGH setting for extended cooking or preheating.

High Setting

Produces temperatures at the cooking grid of approximately 700 - 750°F (370 - 400° C) with the lid down.

Use high setting only:

- For fast warm-up
- In cold or windy conditions when grilling with the lid up
- To quickly sear steaks before reducing the temperature
- To burn-off food residue from the cooking grids and Flav-R-Wave™ before cleaning (maximum 10 minutes)

Medium/High

Produces temperatures at the cooking grid of approximately 600°F (320° C) with the lid down.

Use medium/high setting to:

- Preheat grill for steaks
- Grill steaks rare & medium rare

Medium

Produces temperatures at the cooking grid of approximately 450° F (230°C) with the lid down.

Use medium setting to:

- Grill steaks medium and medium well
- Grill chops, burgers and vegetables

Medium/Low

Produces temperatures at the cooking grid of approximately 400° F (200°C) with the lid down.

Use medium/low setting to:

- Grill chicken pieces, sausage, fish
- Roast, bake
- Grill dough and pastry such as quesadillas

Low

Produces temperatures at the cooking grid of approximately 310-350° F (155-175° C) with the lid down.

Use low setting to:

- Slow roast and smoke large cuts of meat, delicate fish and for dough and pastry

Temperatures are approximate only and vary with the outside temperature and the amount of wind.

COOKING TECHNIQUES

DIRECT GRILLING

The direct grilling method involves cooking the food on grids directly over a lit burner. Direct grilling is the most popular method for most single serving items such as steaks, chops, fish, burgers, kebabs and vegetables.

1. Prepare food in advance to avoid delay and timing problems. If using marinade or spices, they should be applied before placing meat on the cooking grid. If basting with sauces, they should be applied in the last 2-4 minutes of grilling to avoid burning.
2. Organize the area around the gas grill to include forks, tongs, oven mitts, sauces and seasonings to allow you to stay in the vicinity of the gas grill while cooking.
3. Bring meat to room temperature just prior to grilling. Trim excess fat from meat to minimize the "flare-ups" that are caused by dripping grease.
4. Pre-heat the gas grill to the desired temperature with the lid closed.
5. Coat the grids with vegetable or olive oil to prevent food from sticking to the grids.
6. Hold the salt when cooking meats on the gas grill. The meat will stay juicier if the salt is added after cooking.
7. To prevent steaks from "drying out," use tongs rather than a fork and start on "MEDIUM/HIGH" to sear the meat and seal juices in. Reduce the heat and extend cooking times when grilling thicker cuts of meat.
8. Learn to test when the meat is done by time and feel. Meat firms up as it cooks. When the meat is soft it is rare. When it is firm, it is well done.
9. Follow the perfect steak grilling guide for most meat, fish, poultry and vegetables.

DIRECT GRILLING GUIDE				
	1" THICK	HEAT SETTING	TIME PER SIDE	TOTAL MINUTES
CHICKEN	MED / WELL	MED / LOW	4 / 4 / 4 / 4	16
CHICKEN WINGS	MED / WELL	MED / LOW	5 / 5 / 5 / 5	20
HAMBURGER	MEDIUM	MED / LOW	3 / 3 / 3 / 3	12
HAMBURGERS 3/4" FROZEN	MEDIUM	MED / LOW	3 / 3 / 3 / 3	12
FISH FILLET	MEDIUM	MEDIUM	2 / 2 / 2 / 2	8 - 10
LOBSTER TAILS SPLIT	MEDIUM	MEDIUM	4 / 4 / 4 / 4	16 - 20
USE SAME TECHNIQUE AS THE PERFECT STEAK GRILLING GUIDE				

THE PERFECT STEAK GRILLING GUIDE

PLACE STEAK ON ANGLE ON HOT GRIDS. FLIP THE STEAK AS SHOWN BELOW. TURN AND FLIP THE STEAK AGAIN. FINALLY, FLIP THE STEAK AGAIN.

Meat Thickness		Heat Setting	Time Per Side				Total Time
1 1/2"	1"		A	B	C	D	
	Rare	High	1 3/4	1 3/4	1 3/4	1 3/4	7 minutes
Rare	Medium/Rare	Med/High	2	2	2	2	8 minutes
Medium/Rare	Medium	Med/High	2 1/4	2 1/4	2 1/4	2 1/4	9 minutes
Medium	Well	Med	2 1/2	2 1/2	2 1/2	2 1/2	10 minutes
Well		Med	3	3	3	3	12 minutes

COOKING TECHNIQUES

INDIRECT CONVECTION COOKING

This method is ideal for cooking large cuts of meat such as roasts or poultry. The food is cooked by hot air circulating around it.

- For most applications of convection cooking with and without a rotisserie, a drip pan is recommended to catch the drippings. Place drip pan on top of the Flav-R-Wave, beneath center of food. Put half to one inch of water in the drip pan. Fruit juice, wine or marinade may also be added to enhance the flavor. Do not let the drip pan run dry
- Convection cooking without a rotisserie is best with the lid closed and the heat reduced. All burners can be set to low or the outside burners can be set to medium and the middle burner(s) can be turned off. Turning the center burner off will prevent juices in the drip pan from burning
- Prior to placing the meat on the gas grill, baste the meat with vegetable oil. This will enhance browning on the outside of the meat
- When cooking without a drip pan, close attention must be paid to avoid the risk of a grease fire and is not recommended
- Turn gas grill off and allow it to cool before removing drip pan. The fat drippings are highly flammable and must be handled carefully to avoid injury
- For convection cooking roasts and poultry without a rotisserie, put meat in a roasting rack directly on grids

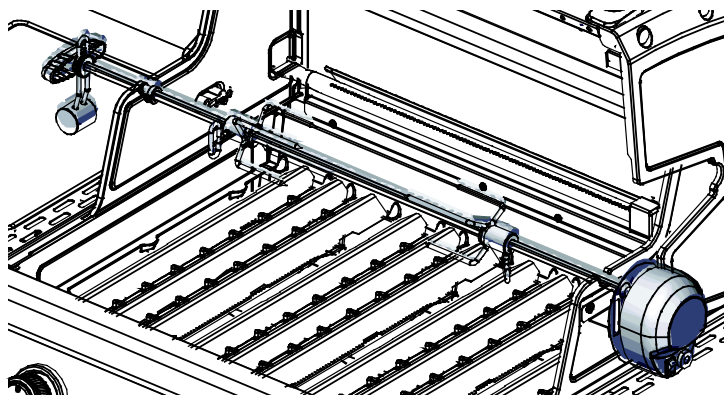
INDIRECT CONVECTION AND ROTISSERIE COOKING GUIDE

BEEF ROAST	3 - 6 Lb.	MED / LOW	2 - 4 HRS
BEEF ROAST	6 - 10 Lb.	MED / LOW	3 - 5 HRS
PORK ROAST	2 - 5 Lb.	MED / LOW	2 - 4 HRS
PORK ROAST	6 - 10 Lb.	MED / LOW	3 - 5 HRS
TURKEY OR CHICKEN	2 - 5 Lb.	MED / LOW	2 - 4 HRS
TURKEY OR CHICKEN	5 - 10 Lb.	MED / LOW	3 - 5 HRS

WHEN USING ROTISSERIE BURNER, SET HEAT AT MED / HIGH

ROTISSERIE COOKING

Follow the steps for Indirect Convection Cooking. (See left)



- The rotisserie can accommodate up to 7 kg (15lb) of meat with the limiting factor of rotating clearance. For best results the meat should be centered on the center line of spit to eliminate an out-of-balance condition
- The rotisserie can be used with the cooking grids in place if space allows
- Fasten the meat securely on the spit prior to placing it on the gas grill. For poultry, tie the wings and legs in tightly

REAR BURNER ROTISSERIE

- Certain models feature a rear burner for rotisserie cooking. The rear burner rotisserie method is the ultimate for cooking roasts and poultry. With the heat source located behind the food, there is no chance of a flare up caused by fat drippings. A dish or drip pan placed below the spit will collect the juices for basting or for preparing a sauce
- The spring loaded rear burner may be easily removed when not in use
- To operate your rear burner, see "Lighting the Rear Burner." (Page 7)

MEAT TEMPERATURE GUIDE

	RARE	MED	WELL
BEEF / LAMB / VEAL	130°F / 55°C	146°F / 63°C	160°F / 70°C
PORK		150°F / 65°C	170°F / 77°C
POULTRY			170°F / 77°C
HAMBURGER			160°F / 70°C

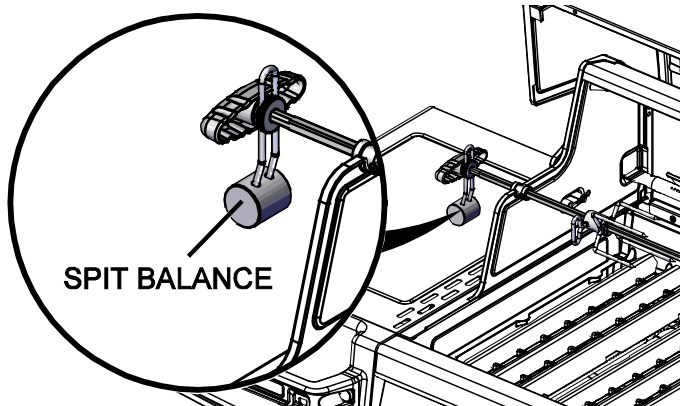
FOR BEST RESULTS, USE A MEAT THERMOMETER

COOKING TECHNIQUES

SPIT BALANCE

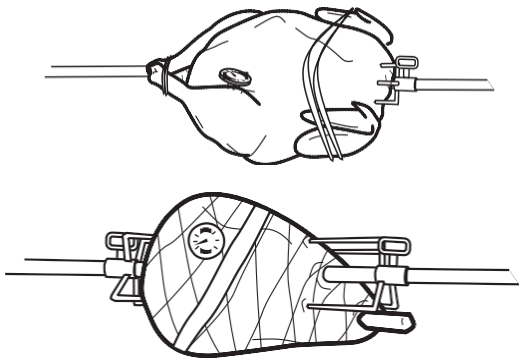
1. Loosen the rod handle to allow the balance to turn freely.
2. Set the rotisserie rod in the slots of the gas grill casting. Let the heaviest side of the meat rotate to the bottom.
3. Adjust the balance to the top of the rod, opposite the heaviest side of the meat.
4. Tighten the rod handle. Periodically, check to see if the meat turns smoothly while cooking. Adjust the spit balance as necessary.

CAUTION: Use oven mitt when adjusting spit balance.



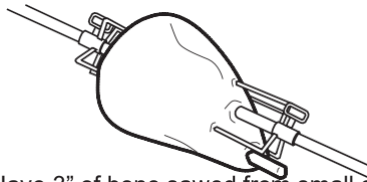
HOW TO USE A PROBE THERMOMETER

1. The accurate way to determine when a large piece of meat is done is to use a probe thermometer. Insert the thermometer at an angle so the sturdy pointed metal tip rests in the center of the thickest part of the meat. **Be careful that it doesn't touch the spit or the bone, and that the point is not resting in fat (you will notice much less resistance when probing in fat).**



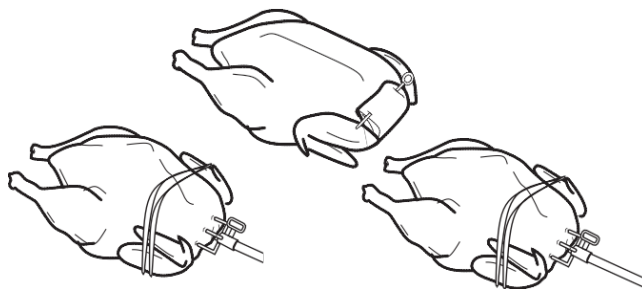
2. When the thermometer displays the desired temperature the meat is done. Add your sauces during the last few minutes of cooking time and let the meat stand about 15 minutes to firm up. Carve and serve.
- poultry: insert the tip of the thermometer in the thickest part of the thigh close to the body
 - ham or roasts: insert the tip of the thermometer in the center of the heaviest section of the meat

USING A SPIT – LEG OF LAMB



1. Have 3" of bone sawed from small end of leg.
2. Leave meat around bone intact to form a flap.
3. Put a spit fork on rod.
4. Fold flap up and run rod through flap and leg.
5. Put second fork on rod and insert forks in each end of leg. Test for balance. Tighten screws.

USING A SPIT – POULTRY



1. With breast down, bring neck skin up over cavity.
2. Turn under edges of skin; skewer to back skin.
3. Loop twine around skewer and tie.
4. Turn breast side up; tie or skewer wings to body.
5. Put a spit fork on rod. Insert rod in neck skin parallel to backbone and exit just above tail.
6. Put second fork on rod and insert forks in breast and tail. Test for balance. Tighten screws.
7. Tie tail to rod with twine. Cross legs; tie to tail.

THREE CHICKENS ON A SPIT



1. Tie or skewer wings to body.
2. Put a spit fork on rod. Place chickens on rod as demonstrated in the above diagram.
3. Loop twine around tails and legs; tie to rod.
4. Put second fork on rod and insert forks in chicken. Tighten screws.

MAINTENANCE

REGULAR MAINTENANCE

To ensure optimal performance and safety, the following components should be inspected and cleaned as required before use of your gas grill.

COOKING GRIDS - CAST IRON, CAST STAINLESS & HEAVY ROD STAINLESS

BROIL KING® Deep V cast iron and cast stainless cooking grids provide unsurpassed heat retention and grilling performance. BROIL KING® Heavy Rod stainless grids provide maximum durability and good heat retention and good grilling performance. BROIL KING® cast iron grids are coated with a porcelain enamel finish to protect the grids and reduce the tendency of food sticking to grids. Regular use and care improves performance and longevity of the grids.

For optimum performance:

- Before first use and after long periods of storage, wash grids using a light detergent and water and then rinse and dry with paper towel; never air dry grids or use a dishwasher
- Immediately after washing, season cooking grids by coating grids with an organic cold pressed cooking oil with a high smoke point, light the grill and operate on Med/Low for 30 minutes. Recommended cooking oils:
 - Avocado Oil – smoke point (260C/500F)
 - Rice Bran Oil – smoke point (255C/490F)
 - Canola Oil – smoke point (204C/400F)
- Before and after each use, brush grids with a good quality grill brush (Item #'s 65225, 64014, 64034) and lightly coat with a high smoke point cooking oil. This will continue the seasoning process
- **Use medium heat settings to preheat and grill to avoid burning off the protective seasoned coating**
- Avoid applying sugar based marinades or salt to meat before grilling, apply sugar based marinades at end of grilling and salt after grilling
- Use oil based marinades, avoid water based marinades
- Lightly coat food with cooking oil of your choice before grilling
- Turn and rotate your grids periodically
- Ensure the surface of the grid is always coated with a light layer of oil. This helps prevent rust and deterioration and improves the grids non-stick performance
- If rust does occur, Burn-Off the grid, brush with a good quality grill brush and re-season

During long periods of inactivity, grids should be **seasoned**, then stored in a dry place. The grids may be wrapped in protective plastic food wrap. After periods of storage, Burn-Off grids, wash, dry with paper towel and re-season with high smoke point cooking oil.

WARNING:

If you brush the grids with a stainless steel bristle grill brush.

- **If the grill is hot, use caution and oven mitts to protect your hands.**
- **Inspect the grids carefully after brushing to ensure there are no broken stainless steel bristles left on the grid.**

GREASE TRAY

The grease tray is in the pull out drawer located under the control panel. Clean regularly.

FLAV-R-WAVE™

The Flav-R-Wave™ is designed to generate smoke and vapor from the food drippings in order to provide that authentic barbecue flavor while protecting the burner. If residue accumulates on the Flav-R-Wave™, remove the cooking grids and scrape the residue off the Flav-R-Wave™ with the grid lifter. (Part # 60745)

GENERAL CLEANING

Perform a Burn-Off (see below).

When gas grill is cool, remove grids, scrape the Flav-R-Wave™ clean with grid lifter then remove the Flav-R-Wave™.

Clean the interior of the gas grill as necessary by scraping the sides and bottom of the cook box with the grid lifter and vacuum residue. Rust is a natural oxidation process and may appear on internal stainless steel parts. Rust will not affect performance of your grill.

BURN-OFF

Ignite the burners as per “Lighting” (page 7).

Operate gas grill on HIGH with lid closed for 10 minutes maximum. Turn the gas source off then turn control knobs to OFF.

ANNUAL MAINTENANCE

The following components should be inspected and cleaned at least once a year or after any period of storage over 30 days to ensure optimal performance, safety and efficiency.

BURNER

Remove burner and inspect for cracks and deterioration. Clean venturi tubes using a pipe cleaner or venturi brush to eliminate any blockages. See “Venturi Tubes.” (Page 6) While the burner is removed, remove the grease shields, clean the interior of cook box by scraping the sides and bottom of the cook box and vacuuming.

HOSE

Inspect and replace if necessary. For propane see “Hose and Regulator.” (Page 4)

EXTERIOR ALUMINUM COMPONENTS

If white oxidation spots appear, wash the outside of the aluminum cook box with a mild soap and water solution. Rinse the surfaces thoroughly then wipe them with a cloth dipped in cooking oil to restore the luster. For repair of paint scratches and scuffs, use a good quality HIGH temperature (600°F) spray paint for touch-up.

STAINLESS STEEL & PORCELAIN COMPONENTS

Wash with soap and water. Use stainless steel cleaner or “Bar Keepers Friend” to polish and remove stains or rust marks if they occur. Weathering and extreme heat can cause a stainless steel lid to turn a tan color. This is discoloration and is not considered a manufacturing defect.

RESIN COMPONENTS AND SIDE SHELVES

Wash with soap and water.

REPLACEMENT PARTS

If a problem is found with the regulator, hose, burner, or control valves, do not attempt repair. See your dealer, approved service center, or contact the factory for repairs or replacement parts. To ensure optimum performance, use only original BROIL KING® replacement parts.

LEAK TEST

When reconnecting a gas cylinder on propane models, be sure to check for leaks. See “Leak Testing.” (Page 5)

TROUBLESHOOTING

PROBLEM	POSSIBLE CAUSE	CORRECTIVE ACTION
SMELL OF GAS	SHUT OFF LP CYLINDER VALVE AT ONCE. DO NOT USE THE APPLIANCE UNTIL LEAK IS SEALED.	
Leak detected at cylinder, regulator or other connection.	<ol style="list-style-type: none"> 1. Regulator fitting loose. 2. Gas leak in hose/regulator or control valves. 	<ol style="list-style-type: none"> 1. Tighten fitting and "Leak Test." (page 5) 2. See authorized service center.
Flames Beneath Control Panel (Flashback Fire)	<ol style="list-style-type: none"> 1. Venturi blocked. 	<ol style="list-style-type: none"> 1. Remove burner and clean venturi. See "Venturi Tubes" (page 5)
Flickering Burner Flame or Low Temperatures on HIGH Setting	<ol style="list-style-type: none"> 1. Excess flow safety device has been activated in connection between cylinder and barbecue. 	<ol style="list-style-type: none"> 1. Turn LP cylinder valve off then turn all burners to OFF position. Disconnect the regulator from the cylinder. Wait two minutes. Re-attach regulator to the cylinder. Open the cylinder valve slowly. Wait one minute. Light grill as per "Lighting" (page 6)
Burner Not Lighting	<ol style="list-style-type: none"> 1. Out of LP Gas. 2. Ignitor issue. 3. Excess flow safety device has been activated. 4. Regulator is not fully connected to the cylinder valve. 5. A leak in the system causing the excess flow device to activate. 6. Venturi blocked or misaligned with valve orifice. 7. Orifice(s) blocked. 8. Hose is twisted. 	<ol style="list-style-type: none"> 1. Refill LP Gas Cylinder. 2. Try manually lighting burner with a match. See "Lighting" (page 6). If burner lights successfully, it is an ignitor issue. See "Ignitor not Working" below 3. Follow "Flickering Flame or Low Temperatures on HIGH setting" solution above. 4. Tighten the regulator hand wheel. 5. Leak test connections to determine loose fitting. Tighten fitting. Leak test system. 6. Remove burner, clean venturi and realign with valve orifice. See page 5 for assistance. 7. Remove burner, clean orifices with a pin or fine wire. Do not drill orifices. 8. Straighten hose. Keep away from bottom casting.
Ignitor Not Working	<ol style="list-style-type: none"> 1. Ignitor battery is dead 2. Ignitor wire(s) not connected 3. Electrode misaligned on burner 4. Ignitor malfunction 	<ol style="list-style-type: none"> 1. Replace battery 2. Ensure main burner and side burner electrode wires are all connected 3. Realign electrode and clear any surrounding debris from area 4. Use "Match Lighting" procedure. (Page 6)
Decreasing Heat, "Popping Sound"	<ol style="list-style-type: none"> 1. Out of LP Gas. 2. Venturi blocked. 	<ol style="list-style-type: none"> 1. Refill LP Gas Cylinder. 2. Remove burner, clean venturi. See "Venturi Tubes" (Page 5) for assistance.
Hot spots on Cooking Surface	<ol style="list-style-type: none"> 1. Venturi blocked 2. Debris buildup on Flav-R-Wave 	<ol style="list-style-type: none"> 1. Remove burner, clean venturi. See "Venturi Tubes" (page 5) for assistance. 2. Scrape off Flav-R-Wave and vacuum
"Flare-ups" or Grease Fires	<ol style="list-style-type: none"> 1. Excessive grease buildup on vaporizer or in gas grill cook box 2. Excessive heat. 	<ol style="list-style-type: none"> 1. Thoroughly scrape off Flav-R-Wave and inside of cookbox then vacuum out debris 2. Turn burner controls to a lower setting
Regulator Humming Noise	<ol style="list-style-type: none"> 1. Cylinder valve opened too quickly. 	<ol style="list-style-type: none"> 1. Open cylinder valve slowly.
Yellow Flame	<ol style="list-style-type: none"> 1. Some yellow flame is normal. If it is excessive, the venturi may be blocked. 2. Burner ports blocked. 	<ol style="list-style-type: none"> 1. Remove burner, clean venturi. See "Venturi Tubes" (page 5) for assistance. 2. Remove burner & clean with soft bristle brush (e.g. toothbrush).
Inside of Lid Appears to be Peeling	<ol style="list-style-type: none"> 1. This is a build-up of grease. The inside of lid is not painted and cannot peel. 	<ol style="list-style-type: none"> 1. Clean with stiff bristle brush or scraper.
Cooking Grids Rusting	<ol style="list-style-type: none"> 1. Porcelain enamel has been chipped 	<ol style="list-style-type: none"> 1. See "Maintenance" (page 10) for help
Control panel or oven lights not working	<ol style="list-style-type: none"> 1. Unit not connected to power. 2. Faulty transformer. 3. Loose or corroded connections. 4. Bulb blown 	<ol style="list-style-type: none"> 1. Connect GFI power cord to appliance. Plug to working power outlet. 2. Check transformer output is 12Vac. Replace if required. 3. Clean connections and ensure all connectors are pushed together firmly. 4. Replace bulbs.
<p>If troubleshooting fails to solve any of these or any other issues, please visit www.omcbbq.com for more information including troubleshooting videos, tricks and tips or call customer service at 1-800-265-2150</p>		

WARRANTY

The BROIL KING® Warranty is effective from date of purchase and is limited to the repair or replacement of parts at no charge which prove to be defective under normal domestic use.

In United States and Canada replacement is FOB Factory.

In all other countries replacement is FOB BROIL KING® Distributor (Consult your Dealer for name of BROIL KING® Distributor). All other costs are the responsibility of the owner.

This warranty is extended only to the original purchaser as indicated on the warranty registration and applies only to products sold at retail and only when used exclusively by the purchaser in country where purchased. (Different types of gas used in different countries require appropriate valves, orifices and regulators.)

WHAT IS COVERED

	IMPERIAL REGAL BARON	CROWN SIGNET MONARCH	GEM
STAINLESS STEEL LID & PORCELAIN STEEL LID COMPONENTS	Lifetime	Lifetime	10 Years
CAST ALUMINUM COOK BOX & COMPONENTS	Lifetime	Lifetime	10 Years
STAINLESS STEEL COOK BOX	Lifetime	Lifetime	
STAINLESS STEEL COOKING GRIDS	15 Years	5 Years	
CAST IRON GRIDS COOKING GRIDS		2 Years	2 Years
STAINLESS STEEL FLAV-R-WAVE™	15 Years	3 Years	2 Years
DUAL-TUBE™ BURNERS	15 Years	10 Years	
STAINLESS STEEL MAIN BURNERS			5 Years
SIDE BURNER	15 Years	2 Years	2 Years
REAR BURNER	15 Years	10 Years	
INFRA-RED SIDE BURNER (EXCLUDING SCREEN)	15 Years	5 Years	
STAINLESS STEEL COMPONENTS	15 Years	5 Years	
REMAINING PARTS & PAINT	15 Years	2 Years	2 Years

WHAT IS NOT COVERED

Any failures or operating difficulties due to accident, abuse, misuse, alteration, misapplication, vandalism, improper installation or improper maintenance or service, or failure to perform normal and routine maintenance, including but not limited to damage caused by insects within the burner tubes, as set out in the owner's manual.

Deterioration or damage due to severe weather conditions such as hail, hurricanes, earthquakes or tornadoes, discoloration due to exposure to chemicals either directly or in the atmosphere.

Shipping or transportation costs.

Removal or re-installation costs.

Labor costs for installation and repair.

Cost of service calls.

Liability for indirect, or consequential damages.

Gas grills deemed to be used as a communal amenity or gas grills not directly used and maintained by the purchaser

REPLACEMENT PARTS

"Genuine BROIL KING® Gas Grill Parts" must always be used for replacement. Use of any other parts will automatically nullify the above warranty.

BURNERS

The life of BROIL KING® burners (made of stainless steel) depends almost entirely on proper use, cleaning and maintenance. This warranty does not cover failure due to improper use and maintenance. For proper burner maintenance instructions see page 10.

PORCELAIN-COATED COOKING GRIDS

All BROIL KING® cast iron cooking grids are coated with a durable porcelain enamel to assist in cleaning and reduce the tendency of food sticking to the grid. Porcelain is essentially a glass coating. Some chipping may occur if mishandled. This will not affect the use or performance of the grids. The grids are not warranted against chipping or rusting due to mishandling. Consult "Maintenance" (page 10) for proper cooking grid care and cleaning instructions.

VAPORIZATION SYSTEMS

BROIL KING® Gas Grills are designed for use with Flav-R-Wave™ vaporization systems. Use of any other product will nullify the warranty.

FLAV-R-WAVE™

The Flav-R-Wave™ is warranted against defects in materials or rust through for a period of 3 years on Monarch, Signet, Baron, 5 years on Sovereign, Regal and Imperial and 2 years on all other models from date of purchase. Surface rust will not affect the performance of the Flav-R-Wave™ and is not covered by the warranty. See "Maintenance" (page 10) for proper Flav-R-Wave care instructions.

FREIGHT

Courtesy shipping is provided for warranty orders during the six (6) months after the original date of purchase. After this period, a freight charge will be applied to all warranty orders.

REGISTER YOUR GRILL

You can register your grill's warranty online at www.omcbbq.com or by calling 1-800-265-2150.

WARRANTY CLAIMS

All warranty is handled directly by BROIL KING®. Parts must be returned to BROIL KING® Warranty Department, shipping charges prepaid, accompanied by Model Number, Serial Number, and if your grill is not registered, proof of purchase (copy of sales slip or invoice). If inspection confirms the defect, BROIL KING® will repair or replace such part in accordance with the terms of the warranty. On receipt of letter or fax (not by phone) BROIL KING® may at its option not require part or parts to be returned.

NON AMERICAN/CANADIAN RESIDENTS

The above warranty is administered by the BROIL KING® distributor in your country. Contact your dealer for the name of your BROIL KING® distributor.

Broil King®

MANUEL DE L'UTILISATEUR

FONCTIONNEMENT AU PROPANE LIQUIDE (LP)
AU CANADA, GAZ PROPANE



ANSI Z21.58-2018 / CSA 1.6-2018

TABLE DES MATIÈRES

MESURES DE SÉCURITÉ.....	16
INSTALLATION	16
BONBONNE DE PROPANE LIQUIDE	17
TUYAU ET RÉGULATEUR.....	18
TEST D'ÉTANCHÉITÉ.....	19
TUBES VENTURI	20
ALLUMAGE	21
FONCTIONNEMENT.....	22
TECHNIQUES DE CUISSON.....	23
ENTRETIEN	26
DÉPANNAGE	27
GARANTIE.....	28

**REMARQUE À L'INSTALLATEUR: CES INSTRUCTIONS
DOIT ÊTRE GAUCHE AVEC LE CONSOMMATEUR.**



DANGER

S'IL Y A UNE ODEUR DE GAZ:

1. FERMER L'ALIMENTATION EN GAZ DE L'APPAREIL
2. ÉTEINDRE TOUTE FLAMME NUE
3. OUVRIR LE COUVERCLE
4. SI L'ODEUR PERSISTE, ÉLOIGNEZ-VOUS DE L'APPAREIL ET APPELEZ IMMÉDIATEMENT VOTRE FOURNISSEUR DE GAZ OU LES POMPIERS



AVERTISSEMENT

1. NE PAS ENTREPOSER NI UTILISER DE L'ESSENCE OU AUTRES VAPEURS OU LIQUIDES INFLAMMABLES À PROXIMITÉ DE CET APPAREIL.
2. UNE BONBONNE DE PROPANE QUI N'EST PAS RACCORDÉE À L'APPAREIL NE DEVRAIT PAS ÊTRE ENTREPOSÉE À PROXIMITÉ DE CET APPAREIL OU DE TOUT AUTRE APPAREIL.

**VEUILLEZ INSCRIRE LE NUMÉRO DE MODÈLE,
LE NUMÉRO DE SÉRIE ET LA DATE D'ACHAT
ICI.**

Ces renseignements se trouvent sur une étiquette d'avertissement noire et argent d'OMC à l'arrière ou sur le côté de votre gril à gaz.

Numéro de modèle					-		
Numéro de série			-				
Date d'achat		/		/			
		jj		mm		aaaa	

**LIRE ATTENTIVEMENT CES DIRECTIVES AVANT D'UTILISER VOTRE BARBECUE.
CONSERVER CES DIRECTIVES POUR RÉFÉRENCE ULTÉRIEURE.**

POUR LES INSTRUCTIONS D'ASSEMBLAGE, CONSULTER VOTRE MANUEL D'ASSEMBLAGE
OU VISITER www.omcbbq.com POUR VISIONNER NOS VIDÉOS SUR L'ASSEMBLAGE.

1-800-265-2150
info@omcbbq.com

Onward
MANUFACTURING COMPANY
SINCE 1906
585 KUMPF DRIVE
WATERLOO, ONTARIO, CANADA
N2V 1K3
LIMITED

FR

MESURES DE SÉCURITÉ

Votre nouveau barbecue au gaz BROIL KING® est un appareil sécuritaire et pratique lorsqu'il est assemblé et utilisé correctement. Toutefois, comme tout appareil fonctionnant au gaz, certaines mesures de sécurité s'imposent. **Le non respect de ces mesures de sécurité peut causer de sérieux dommages ou des blessures graves.** Si vous avez des questions en ce qui concerne l'assemblage ou le fonctionnement de l'appareil, consultez votre marchand, technicien d'appareils à gaz, compagnie de gaz ou notre service à la clientèle au 1-800-265-2150 / info@omcbbq.com

ATTENTION

- **UTILISER À L'EXTÉRIEUR SEULEMENT.**
- **POUR L'ENTREPOSAGE INTÉRIEUR, DÉTACHER LA BONBONNE ET LA RANGER À L'EXTÉRIEUR.**
- **NE PAS FAIRE FONCTIONNER CET APPAREIL SANS SURVEILLANCE.**
- **PRENDRE LES PRÉCAUTIONS NÉCESSAIRES POUR ÉLOIGNER LES ENFANTS DES SURFACES CHAUDES.**

Soyez prudent lorsque vous déplacez l'appareil. Les bords de métal peuvent être coupants. Utilisez les gants appropriés pour soulever ou déplacer le barbecue. Avant de soulever le grill, retirer les tablettes latérales et les grilles de cuisson.

PRÉCAUTIONS À PRENDRE AVEC L'ÉLECTRICITÉ

1. Si vous utilisez un accessoire qui nécessite une source de courant électrique avec ce grill, l'accessoire doit être mis à la terre lorsqu'il est installé, selon les normes locales en vigueur. En l'absence de normes locales, les normes suivantes s'appliquent:

(É.-U.) ANSI/NFPA No. 70 - Dernière édition
(Canada) CSA C22.1 Code Canadien de l'électricité

2. Ne jamais couper ou enlever la broche de masse de la fiche électrique.
3. Éloigner le fil électrique et le boyau d'alimentation en gaz de toute surface chauffée.

⚠ AVERTISSEMENT

Ce produit risque de vous exposer au plomb, un produit contenant des agents chimiques connus dans l'État de la Californie pour causer le cancer et des malformations congénitales ou d'autres dommages au système reproductif. **Veillez laver vos mains après avoir manipulé ce produit.**

La combustion de gaz de cuisson peut vous exposer à des produits chimiques, y compris le monoxyde de carbone, qui est connu par l'état de Californie pour causer le cancer, les malformations congénitales ou d'autres problèmes reproductifs.

Pour minimiser l'exposition à ces substances, toujours faire fonctionner cet appareil conformément au guide de l'utilisateur, en fournissant une ventilation adéquate lorsque vous cuisinez avec du gaz.

**POUR PLUS D'INFORMATIONS, VEUILLEZ VISITER
WWW.P65WARNINGS.CA.GOV**

INSTALLATION

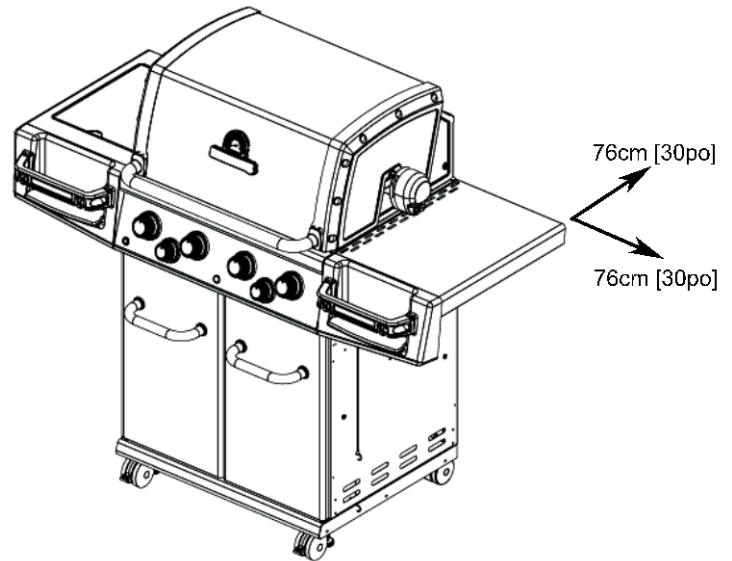
1. Aux États-Unis, cet appareil doit être installé selon les normes locales et la norme nationale applicable:

ANSI Z223.1/NFPA 54 - Dernière édition du National Fuel Gas Code et plus récentes normes locales, s'il y a lieu.

2. Au Canada, cet appareil doit être installé selon les normes locales et les normes applicables de la CSA:

CSA-B149.1 Code d'installation d'appareils fonctionnant au gaz naturel ou au propane.

3. Les côtés et l'arrière de l'appareil doivent être éloignés d'un minimum de 76cm / 30po de toute surface combustible.



4. Ne pas utiliser cet appareil sous une toiture ou un feuillage.
5. Cet appareil est conçu pour être **UTILISÉ À L'EXTÉRIEUR SEULEMENT. NE PAS UTILISER** dans un garage, un cabanon, sur un balcon ou tout endroit clos.
6. **NE PAS** limiter la circulation d'air à l'appareil.
7. Garder les environs de l'appareil libres de matières combustibles, d'essence et de tout liquide et vapeur inflammables.
8. Cet appareil n'est pas conçu pour être installé sur ou dans un véhicule récréatif ou un bateau.
9. Maintenir l'ouverture de ventilation de l'enceinte de la bonbonne libre et propre.

INSTALLATION DE BONBONNE DE GAZ PROPANE

Les instructions suivantes s'appliquent seulement aux modèles LP. Les bonbonnes de gaz propane doivent être installées selon les instructions d'assemblage en utilisant les supports fournis. N'entrez jamais une bonbonne de recharge sous cet appareil ou à proximité. Toutes les bonbonnes utilisées doivent être compatibles avec le support de rétention fourni.

BOUTEILLE DE GPL

La norme pour les appareils à gaz extérieur, ANSI Z21.58 / CAN/CGA-1.6, exige que les bouteilles de gaz propane utilisées avec les appareils au gaz propane soient équipées

- d'un Dispositif de prévention du débordement (DPD)
- un système d'accouplement à fermeture rapide QCC^{MD}-1

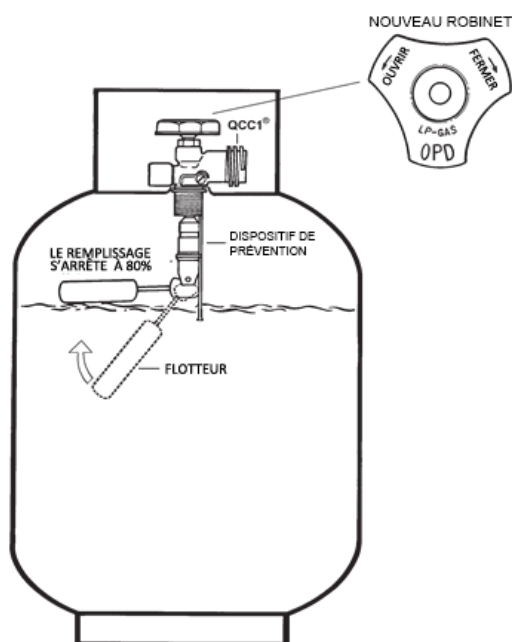
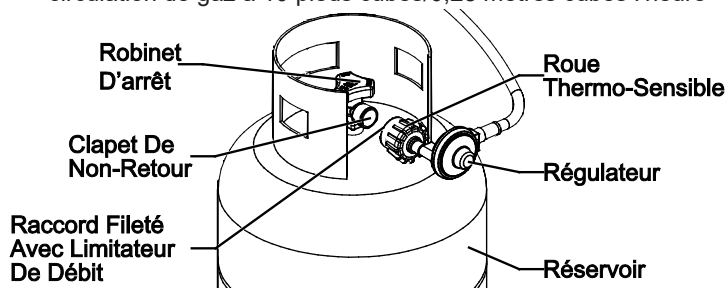
DISPOSITIF DE PRÉVENTION DU DÉBORDEMENT

Le DPD est conçu pour réduire le potentiel de remplissage excessif des bouteilles de propane, réduisant ainsi la possibilité de rejets de propane brut de la soupape de décharge. **Le DPD provoque une opération de remplissage/purge plus lente.**

ACCOUPEMENT À FERMETURE RAPIDE QCC^{MD}-1

Le système QCC^{MD}-1 incorpore de nouvelles fonctions de sécurité requises par l'Institut américain national de la normalisation (ANSI) et l'Association canadienne de normalisation (ACN).

- Le gaz ne circulera pas jusqu'à ce qu'une connexion positive soit réalisée
- Un élément thermique éteindra le débit de gaz entre 240° et 300° F
- Lorsqu'il est activé, un dispositif de limitation du débit limitera la circulation de gaz à 10 pieds cubes/0,28 mètres cubes l'heure



La bouteille de propane n'est pas incluse avec le gril au gaz. N'oubliez pas d'utiliser une bouteille de propane équipée d'un DPD et d'une soupape QCC^{MD}.

IDENTIFICATION

La soupape de QCC^{MD}-1 est caractérisée par un filetage externe sur l'entrée du robinet de gaz propane.

La roue à main DPD a été normalisée selon la forme illustrée.

Les bouteilles équipées de la valve QCC^{MD} sont disponibles depuis votre détaillant de grils à gaz.

AVIS : Toute tentative de connecter le régulateur par le moyen d'adaptateurs ou toute autre valve pourrait mener à des dommages, un incendie ou des blessures, et peut nier aux autres fonctions de sécurité importantes du système QCC^{MD}-1.

SPÉCIFICATIONS

1. Toute bouteille de GPL utilisée avec cet appareil doit être construite et marquée conformément aux Spécifications des bouteilles de GPL du Ministère américain des transports (DOT) ou de la Norme nationale du Canada, normes CAN/CSA-B339 relatives aux cylindres, sphères et tubes pour le transport des matières dangereuses; et Commission, le cas échéant.
2. Toute bouteille de GPL utilisée avec cet appareil doit avoir une capacité maximum de 20 lb (9 kg), une hauteur d'environ 18 po (46 cm), et un diamètre d'environ 12 po (31 cm).
3. Toute bouteille de GPL utilisée avec cet appareil devrait être inspectée à chaque remplissage et requalifié par un service certifié à la date d'expiration (10 ans), conformément aux codes du DOT (É.-U.) et du CTC (Canada) relatives aux bouteilles de GPL.
4. Toute bouteille de GPL utilisée avec cet appareil doit être équipée d'une valve d'arrêt se terminant en sortie de bouteille n° 510, tel que spécifié par la Norme sur les entrées et sorties des valves de bouteille de gaz comprimé (É.-U.) ANSI/CGA-V-1-1977 (Canada) CSA B96.
5. Le système d'alimentation de la bouteille doit être configuré pour l'extraction de vapeur.
6. La bouteille doit inclure un collet pour protéger la valve de la bouteille.
7. La bouteille doit être installée selon les directives d'assemblage.
8. Ne jamais remplir la bouteille à plus de 80%. Il peut se produire un incendie pouvant causer des blessures graves, voire la mort.
9. La valve de la bouteille doit inclure un dispositif de surpression de sécurité directement relié à la chambre de vapeur de la bouteille.

MANUTENTION

1. Des réglementations gouvernementales interdisent l'expédition de bouteilles de GPL pleines. Vous devez apporter votre nouvelle bouteille chez un détaillant de GPL pour le remplissage.
2. Les bouteilles de GPL sont remplies sous une très haute pression. Toujours manipuler avec soin et transporter à l'endroit. Protéger la valve contre les dommages accidentels.
3. Ne pas incliner la bouteille de GPL en la connectant au régulateur. Attacher solidement la bouteille pendant le transport, l'utilisation et le rangement.
4. Si vous inclinez la bouteille après qu'elle est raccordée au régulateur, veuillez éteindre le gaz, déconnecter le régulateur et vérifier la bouteille avant de l'utiliser de nouveau.

RANGEMENT

1. Ranger la bouteille de GPL à l'extérieur dans un endroit bien ventilé.
2. Ne pas ranger la bouteille de GPL dans la lumière directe du soleil, ou près d'une source de chaleur ou de combustion.
3. Si vous prévoyez ranger le gril en intérieur, déconnecter et enlever premièrement la bouteille de GPL. Les bouteilles déconnectées doivent être équipées d'un bouchon anti-poussière, et ne doivent pas être rangées dans un bâtiment, un garage ou tout autre espace clos.
4. Tenir hors de la portée des enfants.
5. Lorsque la bouteille de GPL est connectée au gril à gaz, le gril à gaz et la bouteille de GPL doivent être rangés en extérieur, dans un endroit bien ventilé.

UTILISATION

1. Ne jamais raccorder votre gril à gaz à une bouteille de GPL sans le régulateur fourni, et **NE JAMAIS RELIER LE GRIL À UNE SOURCE DE GPL NON-RÉGLMENTÉE.**
2. **Toujours** tester la connexion de la bouteille de GPL et du régulateur pour des fuites en connectant la bouteille de GPL à l'appareil. Voir "Essai d'étanchéité" (page 35).
3. **Ne pas** utiliser l'appareil si vous sentez une odeur de propane. Éteignez la flamme et déterminez la source de GPL avant de procéder. Ne pas allumer l'appareil jusqu'à ce que la fuite de GPL soit identifiée et scellée.
4. **Toujours** éteindre la valve de la bouteille de GPL lorsque l'appareil n'est pas en cours d'utilisation.

1. Tous les modèles sont équipés d'un tuyau et régulateur avec accouplement à fermeture rapide QCC^{MD}-1
2. L'accouplement QCC^{MD}-1 contient un dispositif de limitation du débit magnétique, qui réduira le débit de gaz dans le cas d'une fuite entre le régulateur et la valve de l'appareil. Ce dispositif s'activera si la valve de la bouteille est ouverte lorsque les valves de l'appareil sont ouvertes. **Afin de prévenir l'activation accidentelle, assurez-vous que les valves de l'appareil soient fermées avant d'ouvrir la valve de la bouteille.**
3. L'accouplement QCC^{MD}-1 incorpore une manivelle sensible à la chaleur qui causera la fermeture de la valve QCC^{MD}-1 sous des températures entre 240° et 300°F. Si cela se produit, ne pas tenter de reconnecter la manivelle. Enlevez l'assemblage du tuyau/régulateur et remplacez-le.
4. Le régulateur de pression est réglé à 11 pouces CE (colonne d'eau) et ne fonctionne qu'avec le GPL. Le tuyau et les accouplements de tuyau sont conformes à la norme CGA CAN 1.83. Ne pas tenter de modifier ni substituer ce produit.
5. Protéger le tuyau contre la graisse et **ne pas laisser le tuyau entrer en contact avec une surface chaude**, y compris la fonte de base du gril.
6. Inspecter le joint dans valve QCC^{MD} de la bouteille en remplaçant la bouteille de GPL, ou une fois par année ou selon la première éventualité. Remplacer le joint en cas de craquement, plis ou abrasion.
7. Inspecter le tuyau avant chaque utilisation du gril. Ne pas utiliser l'appareil dans le cas où le tuyau est craqué, coupé, abrasé ou endommagé.
8. Pour la réparation ou le remplacement de l'assemblage du tuyau/régulateur, veuillez contacter le service à la clientèle au 1-800-265-2150 ou info@omcbbq.com.

CONNEXION

1. Assurez-vous que la valve de la bouteille et les valves de l'appareil soient fermées "OFF."
2. Placez la pleine bouteille de GPL dans la chambre de bouteille, et sécurisez la base selon directives d'assemblage.
3. Centrez le mamelon dans la valve de la bouteille et le tenir place. Avec l'autre main, tournez la manivelle dans le sens horaire jusqu'à ce qu'elle s'arrête. **Ne pas vous servir d'outils. Serrer à la main seulement. En réalisant la connexion, tenez le régulateur en ligne avec la valve de la bouteille, afin de ne pas croiser la connexion.**
4. Testez les connexions pour l'étanchéité. Voir "Essai d'étanchéité" (Pages 35).
5. Consultez les directives d'allumage. Pour éviter l'activation du dispositif de limitation du débit en allumant l'appareil, veuillez ouvrir la valve de la bouteille lentement avec les valves l'appareil fermées. Si le dispositif de limitation du débit est accidentellement activé, serrez la valve de GPL de la bouteille et mettez tous les cadrans de brûleur en position Arrêt (Off). Déconnectez le régulateur de la bouteille. Patientez deux minutes. Rattachez le régulateur à la bouteille. Ouvrez la valve de la bouteille lentement. Patientez une minute. Allumez le gril selon les directives "Allumage" (page 21)

DÉCONNEXION

Toujours fermer la valve de GPL et enlever l'écrou d'accouplement avant de déplacer la bouteille de la position de fonctionnement précisée.

TEST D'ÉTANCHÉITÉ

Toutes les connexions réalisées en usine ont été rigoureusement testées pour des fuites de gaz. Cependant, les raccords de gaz peuvent s'avoir desserrés pendant l'expédition.

PRÉCAUTION DE SÉCURITÉ:

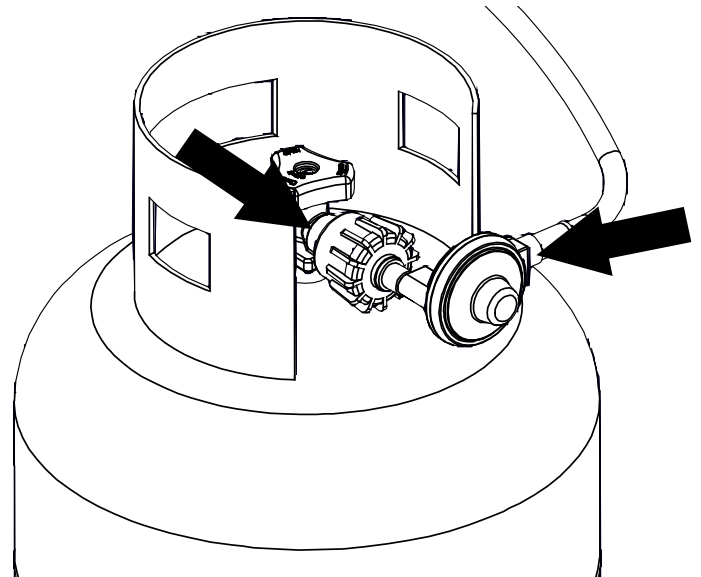
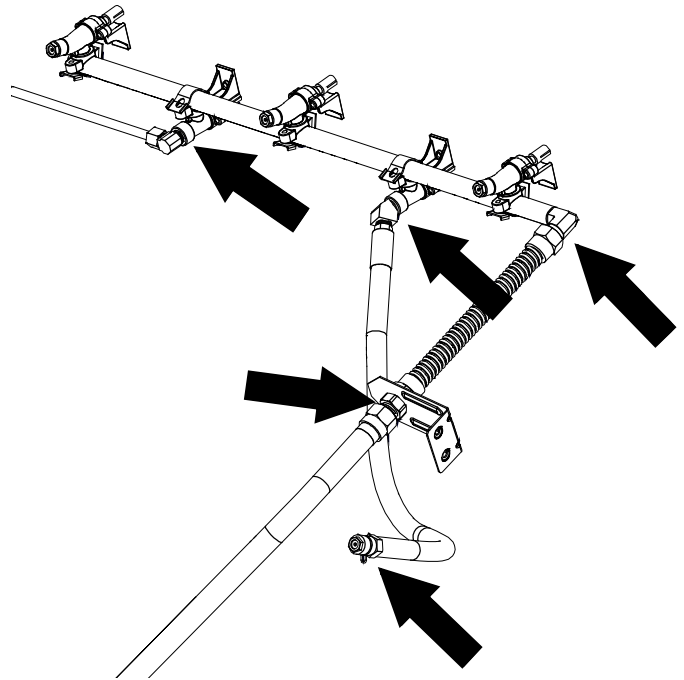
- Tester tous les raccords pour des fuites avant d'utiliser votre gril à gaz
- Tester pour des fuites chaque fois que vous connectez et reconnectez un raccord de gaz, une fois par année ou après toute période d'inactivité prolongée
- Ne pas fumer en effectuant l'essai
- Ne jamais tester pour des fuites avec une allumette enflammée ou une flamme exposée.
- Tester pour des fuites en extérieur seulement

POUR TESTER POUR DES FUITES:

1. Préparer une solution d'eau savonneuse composée d'une moitié d'eau et d'une moitié de détergent liquide.
2. Éteindre tout flamme exposée ou cigarettes dans la zone environnante.
3. Vous assurer que les valves de gaz soient dans la position fermée "OFF"
4. Vous assurer que la valve de la bouteille ou la valve d'alimentation de gaz soit dans la position fermée "OFF"
5. Avec une pleine bouteille de gaz, ouvrir lentement la bouteille ou ouvrir la valve de gaz.
6. Brosser la solution d'eau savonneuse sur chaque raccord.
7. S'il existe une fuite, vous verrez des bulles provenant d'un point de fuite.
8. Si une fuite est détectée, fermez la valve d'arrêt de la bouteille de gaz, serrez la connexion et testez de nouveau.
9. Si la fuite persiste, veuillez contacter votre détaillant de grils à gaz pour de l'aide. Ne pas tenter d'utiliser l'appareil si une fuite est présente.

Si votre gril à gaz est équipé d'un brûleur latéral ou brûleur arrière:

1. Suivez les étapes 1 à 5 ci-dessus
2. Placez le doigt au-dessus de l'orifice à l'extrémité du tuyau.
3. Réglez la commande "CÔTÉ" / "ARRIÈRE" à "ÉLEVÉ" ("HIGH")
4. Brossez une solution savonneuse sur chaque raccord entre l'orifice et le robinet de contrôle.
5. Tournez la commande de "CÔTÉ" / "ARRIÈRE" à "ARRÊT" ("OFF")



TUYAUX VENTURI

- Assurez-vous que les tuyaux venturi soient toujours propres
- Les blocages des tuyaux venturis causés par des araignées, insectes et nids d'animaux peuvent causer une poussée de flammes
- Même lorsque l'allumeur s'allume, le gaz peut s'accumuler et causer un feu autour des tuyaux de venturi au panneau de commande ou au brûleur latéral



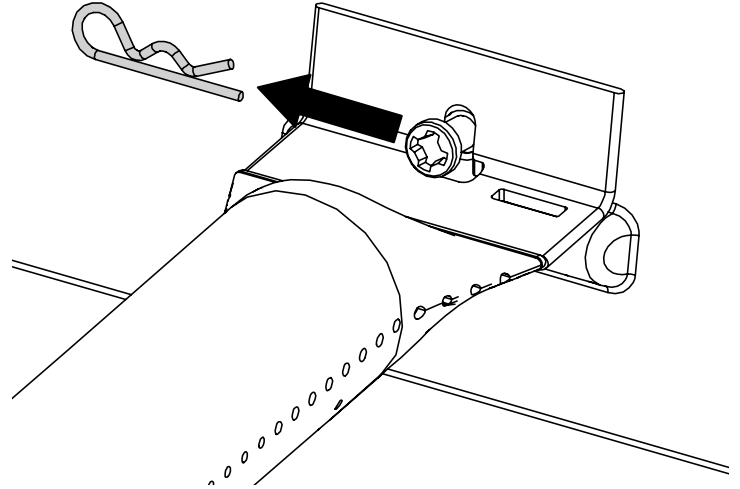
TUBE VENTURI TOILE D'ARAIGNÉE BRÛLEUR TUBULAIRE

Dans le cas d'une poussée de flammes, éteignez la source d'alimentation en gaz immédiatement
Inspectez et nettoyez les tuyaux venturi (brûleur principal, brûleur latéral, brûleur arrière) si vous observez les problèmes suivants:

1. Odeur de gaz.
2. Votre gril à gaz n'atteint pas la bonne température
3. Votre gril à gaz chauffe inégalement.
4. Les brûleurs produisent un bruit d'explosion.

INSPECTION ET NETTOYAGE DES TUYAUX VENTURI

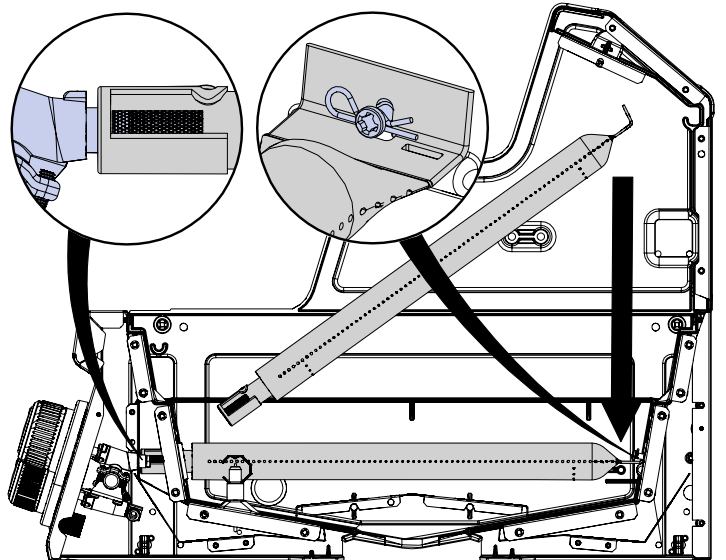
1. Assurez-vous que la soupape de la bouteille ou le robinet d'alimentation en gaz est réglé à la position "OFF".
2. Lorsque le gril à gaz est froid, enlevez les attaches de brûleur. Sortez le brûleur du boîtier du gril à gaz.



3. Nettoyez les tuyaux venturi avec une brosse à tuyau ou un outil de nettoyage pour tuyaux venturi (accessoire #77310 ou #18270).



4. Insérez le brûleur dans le boîtier du gril à gaz, en vous assurant que les tuyaux venturi soient correctement alignés et insérés dans les orifices.

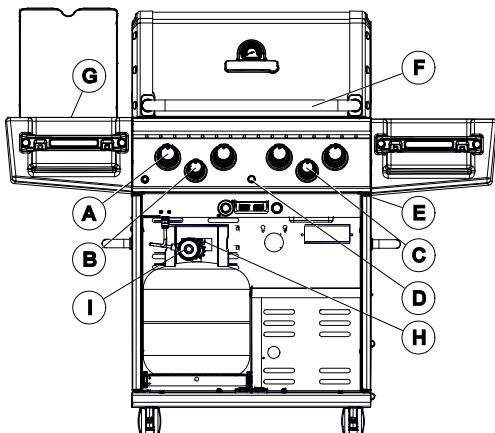


5. Sécurisez les brûleurs à l'aide des attaches de brûleur.

ALLUMAGE

COMPOSANTS DE BASE DU GRIL À GAZ

- A. Brûleur principal
- B. Brûleur latéral
- C. Brûleur arrière
- D. Allumeur
- E. Orifice d'allumage manuel
- F. Poignée
- G. Brûleur latéral
- H. Soupape de la bonbonne
- I. Régulateur



INSTRUCTIONS D'ALLUMAGE

- L'appareil doit être assemblé selon les directives d'assemblage.
 - S'assurer que la bonbonne de propane est pleine et bien branchée au régulateur. Voir "Tuyau et régulateur" (Page 18).
 - Assurez-vous qu'il n'y ait aucune fuite de gaz dans le système d'alimentation en gaz. Voir: "Test d'étanchéité" (Pages 19)
 - Assurez-vous que les tuyaux venturi soient correctement placés au-dessus de l'orifice de la valve de gaz. (voir schéma des tuyaux venturi, page 20)
 - Assurez-vous que les fils d'allumage du brûleur principal, brûleur latéral et brûleur arrière soient raccordés
 - Vérifiez que la pile a été installée dans l'allumeur électronique
 - Lisez attentivement toutes les directives sur la plaque signalétique apposée sur le grill à gaz.
1. Toujours ouvrir le couvercle avant l'allumage
 2. Ne pas vous pencher au-dessus du grill à gaz pendant l'allumage
 3. Réglez le cadran de commande à "OFF" et ouvrez l'alimentation en gaz.

ALLUMAGE DU BRÛLEUR PRINCIPAL:

Pour allumer le brûleur avec l'allumeur:

1. Appuyez et tournez l'un des cadrans de commande principaux à la position "HIGH."
2. Appuyez et maintenez le bouton d'allumage.
3. Le brûleur devrait s'allumer en 5 secondes; éteignez la source de gaz immédiatement si le grill à gaz ne s'allume pas dans ce délai.

Pour allumer le brûleur avec une allumette:

4. Utilisez le porte-allumette et placez l'allumette enflammée sur le port.
5. Appuyez et tournez l'un des cadrans de commande principaux à la position "HIGH."
6. Le brûleur devrait s'allumer en 5 secondes; éteignez la source de gaz immédiatement si le grill à gaz ne s'allume pas dans ce délai.
7. Après que le premier brûleur est allumé, appuyez et maintenez le cadran du brûleur principal adjacent à "HIGH" et répétez pour les autres brûleurs; ceux-ci devraient s'allumer automatiquement sans l'allumeur.

Remarque : En cas de conditions venteuse, allumez chaque brûleur individuellement.

ALLUMAGE DU BRÛLEUR LATÉRAL:

Pour allumer le brûleur avec l'allumeur:

4. Appuyez et tournez l'un des cadrans de commande principaux à la position "HIGH."
5. Appuyez et maintenez le bouton d'allumage.
6. Le brûleur devrait s'allumer en 5 secondes.

Pour allumer le brûleur avec une allumette:

4. Placez l'allumette enflammée sur les ports des brûleurs.
5. Appuyez et tournez l'un des cadrans de commande principaux à la position "HIGH."
6. Le brûleur devrait s'allumer en 5 secondes.

Remarque : Les casseroles sur le brûleur latéral ne devraient pas avoir un diamètre supérieur à 9 po (23 cm) ou un poids supérieur à 15 lb (7 kg).

ALLUMAGE DU BRÛLEUR RÔTISSOIRE ARRIÈRE:

Avertissement : Ne pas utiliser le brûleur principal et le brûleur arrière en même temps.

- **RETIREZ LA GRILLE DE RÉCHAUD**

Pour allumer le brûleur avec l'allumeur:

4. Appuyez et tournez l'un des cadrans de commande principaux à la position "HIGH."
5. Appuyez et maintenez le bouton d'allumage.
6. Le brûleur devrait s'allumer en 5 secondes.

Pour allumer le brûleur avec une allumette:

4. Placez l'allumette enflammée sur les ports des brûleurs.
5. Appuyez et tournez l'un des cadrans de commande principaux à la position "HIGH."

Le brûleur devrait s'allumer en 5 secondes.

MISE EN GARDE : Vérifiez votre grill à gaz après l'allumage.

Tous les ports des brûleurs devraient produire une flamme de 1 po (2,5 cm) sur le réglage "HIGH".



Si vous observez tous les problèmes suivants, les tuyaux venturi sont probablement bloqués. Éteignez immédiatement l'alimentation en gaz, et nettoyez les tuyaux venturi. Voir "Tuyaux venturi" (Page 20).

- Il y a une odeur de gaz
- Une poussée de flamme
- Votre grill à gaz chauffe inégalement
- Les brûleurs produisent un bruit d'explosion.

SI UN BRÛLEUR NE S'ALLUME PAS:

- Appuyez et tournez le cadran de commande dans la position "OFF." Patientez 5 minutes et essayez de nouveau avec le cadran de commande réglé à "MEDIUM"
- Si vous ne réussissez pas à allumer le brûleur, voir "Dépannage" à la page 27. Si le problème persiste, ne pas tenter d'utiliser l'appareil; veuillez contacter BROIL KING®, votre détaillant ou un centre de service approuvé.

ARRÊT:

1. Fermez la valve de la bouteille de GPL ou la valve de gaz.
2. Tournez le cadran de commande à la position "ARRÊT".

UTILISATION

AVERTISSEMENT

NE JAMAIS couvrir les fentes, les trous ou les passages à l'avant ou au fond du gril, ni couvrir une grill entière avec un matériel tel que du papier d'aluminium. Cela bloque la circulation d'air à travers le gril et peut causer la surchauffe ou l'intoxication au monoxyde de carbone.

Première utilisation

Avant de cuisiner avec votre gril pour la première fois, allumez-le pour brûler toute odeur ou corps étranger, comme suit:

- Enlevez et nettoyez les grilles de cuisson et les Flav-R-Waves^{MC} avec un savon doux et de l'eau
- Avec grilles et Flav-R-Waves^{MC} retirés, allumez le gril à gaz en suivant les instructions d'allumage (voir Page 21) et faites fonctionner le gril de gaz sur feu "**Moyen**" pendant **30 minutes**. Ensuite, fermez l'alimentation en gaz et tournez tous les cadrans à la position "OFF/ARRÊT"
- Laissez les grilles refroidir, puis remplacez les Flav-R-Waves^{MC}
- Assaisonnez les grilles de cuisson en les enduisant d'une huile de cuisson traitée à froid avec un point de fumée élevé, allumez le gril et faites-le fonctionner sur feu moyen/bas pendant 30 minutes
- Huiles de cuisson recommandées:
 - Huile d'avocat – point de fumée (260C/500F)
 - Huile de riz – point de fumée (255C/490F)
 - Huile de Canola - point de fumée (204C/400F)
- Vous êtes maintenant prêt(e) à faire griller votre repas. Passez au "Préchauffage"

Préchauffage

- **Préchauffer le gril à MOYEN pendant 15 minutes**
- Nettoyer les grilles froides à l'aide d'une brosse en nylon (article #65643) ou les grilles chaudes avec une brosse métallique en acier inoxydable (articles 65225, 64014, 64034) inspecter soigneusement pour assurer qu'il ne reste aucune soie brisée sur les grilles
- Enduire les grilles d'une huile de cuisson avec un point de fumée élevé
- Réglez la chaleur en fonction des aliments que vous faites griller

Position du couvercle

La position du couvercle pendant la cuisson est une question de préférence personnelle mais le gril cuit plus rapidement, utilise moins de propane et contrôle mieux la température lorsque le couvercle est fermé. Un couvercle fermé donne aussi un goût plus fumé aux viandes cuites directement sur les grilles et est aussi indispensable pour la fumaison ou la cuisson à convection.

Systèmes de vaporisation

Votre gril est conçu pour fonctionner avec le système de vaporisation Flav-R-WaveTM compris. Ne pas utiliser de pierres de lave, de briquettes en céramique ou tout autre système de vaporisation autre que celui fourni avec votre gril à gaz.

TEMPÉRATURES DE CUISSON

Les grils à gaz BROIL KING sont:

- Des appareils performants pouvant atteindre des températures de braisage élevées
- Conçu avec débit d'air contrôlé pour conserver la chaleur et minimiser la consommation de carburant

Vous aurez rarement, voire jamais, besoin d'utiliser le réglage élevé pour la cuisson de longue durée ou le préchauffage.

Réglage Élevé

Produit des températures sur la grille de cuisson d'environ 700° F (750° C) avec le couvercle fermé.

Utiliser le réglage élevé seulement:

- Pour un réchauffement rapide
- Dans des conditions froides ou venteuses en grillant avec le couvercle élevé
- Pour braiser rapidement des biftecks avant de réduire la température
- Pour brûler des résidus de nourriture sur les grilles de cuisson et les Flav-r-Wave avant de les nettoyer (maximum de 10 minutes)

Moyen/Élevé

Produit des températures sur la grille de cuisson d'environ 600° F (320° C) avec le couvercle fermé.

Utilisez le réglage moyen/élevé pour:

- Préchauffer le gril avant de cuire des biftecks
- Griller des biftecks saignants et à point

Moyen

Produit des températures sur la grille de cuisson d'environ 450° F (230° C) avec le couvercle fermé.

Utilisez le réglage moyen pour:

- Griller des biftecks à point et moyens
- Griller des côtelettes, hamburgers et légumes

Moyen/bas

Produit des températures sur la grille de cuisson d'environ 400° F (200° C) avec le couvercle fermé.

Utilisez le réglage moyen/bas pour:

- Griller des morceaux de poulet, saucisses, poisson
- Rôtir, faire cuire
- Griller de la pâte et des pâtisseries telles que les quesadillas

Faible

Produit des températures sur la grille de cuisson d'environ 310- 350° F (155-175° C) avec le couvercle fermé.

Utilisez le réglage faible pour:

- Rôtir ou fumer lentement de gros morceaux de viande, du poisson délicat, des pâtisseries et de la pâte

Les températures sont approximatives et varient selon la température extérieure et la quantité de vent.

TECHNIQUES DE CUISSON

CUISSON DIRECTE

La cuisson directe est une méthode qui cuit les aliments sur les grilles au-dessus d'un brûleur allumé. Il s'agit de la méthode la plus populaire de cuire les portions individuelles telles que les biftecks, côtelettes, poisson, hamburgers, brochettes et légumes.

1. Préparer la nourriture d'avance pour éviter les délais dans la coordination du repas. Si vous utilisez une marinade ou des épices, appliquer avant de placer la viande sur la grille de cuisson. Si vous badigeonnez, faites-le de 2 à 4 minutes avant la fin de la cuisson pour éviter la carbonisation.
2. Les fourchettes, pinces, gants, sauces et assaisonnements devraient être placés à proximité afin de ne pas devoir quitter le gril pendant la cuisson.
3. La viande doit être à la température de la pièce avant la cuisson. Enlever le surplus de graisse de la viande pour minimiser les flambées causées par les égouttements de graisse.
4. Préchauffer le gril à la température désirée avec le couvercle fermé.
5. Enduire les grilles d'huile d'olive ou végétale pour prévenir que les aliments ne s'adhèrent aux grilles.
6. Ne pas saler la viande pendant la cuisson sur le gril. La viande demeure plus juteuse si on ajoute le sel après la cuisson.
7. Pour éviter des biftecks "secs" utiliser des pinces plutôt qu'une fourchette et commencer la cuisson à "MEDIUM/HIGH" pour saisir la viande et sceller la saveur. Réduire la chaleur et allonger la durée de cuisson pour griller des tranches de viande plus épaisses.
8. Apprenez à vérifier si la viande est prête selon le temps de cuisson et son apparence. La viande s'affermi en cuisant. Un bifteck mou est saignant, un bifteck ferme est bien cuit.
9. Suivez le guide de grillade du bifteck parfait pour la plupart des viandes, poissons, volailles et légumes.

GUIDE DE GRILLADE DIRECTE				
	1 PO D'ÉPAISSEUR	RÉGLAGE DE CHALEUR	TEMPS PAR CÔTÉ	TOTAL MINUTES
POULET	MOYEN / BIEN CUIT	MOYEN / FAIBLE	4 / 4 / 4 / 4	16
AILES DE POULET	MOYEN / BIEN CUIT	MOYEN / FAIBLE	5 / 5 / 5 / 5	20
HAMBURGER	MOYEN	MOYEN / FAIBLE	3 / 3 / 3 / 3	12
HAMBURGERS 3/4 PO CONGELÉS	MOYEN	MOYEN / FAIBLE	3 / 3 / 3 / 3	12
FILET DE POISSON	MOYEN	MOYEN	2 / 2 / 2 / 2	8 - 10
QUEUES DE HOMARD DIVISÉES	MOYEN	MOYEN	4 / 4 / 4 / 4	16 - 20
UTILISEZ LA TECHNIQUE DE CUISSON DU BIFTECK PARFAIT				

GUIDE POUR LA GRILLADE DU BIFTECK PARFAIT

DÉPOSEZ LE BIFTECK À ANGLE SUR UNE GRILLE CHAUDE. 2 min. 45°

RETOURNEZ LE BIFTECK COMME ILLUSTRÉ CI-DESSOUS. 2 min.

RETOURNEZ LE BIFTECK UNE DEUXIÈME FOIS. 2 min. 45°

RETOURNEZ LE BIFTECK UNE DERNIÈRE FOIS. 2 min.

Épaisseur de la viande	Réglage de chaleur	Temps de cuisson par côté				Temps total
1 1/2"	1"	A	B	C	D	
Rare	Haut	1 1/4	1 1/4	1 1/4	1 1/4	7 minutes
Saignant	Mi-saignant	2	2	2	2	8 minutes
Mi-saignant	Moyen	2 1/4	2 1/4	2 1/4	2 1/4	9 minutes
Moyen	Bien cuit	2 1/2	2 1/2	2 1/2	2 1/2	10 minutes
Bien cuit	Moyen	3	3	3	3	12 minutes

TECHNIQUES DE CUISSON

CUISSON INDIRECTE À LA CONVECTION

Cette méthode est idéale pour cuire de grosses coupes de viandes comme des rôtis ou des volailles. La viande est cuite par l'air chaud qui circule autour des aliments.

- Pour la plupart des cuissons à convection avec ou sans tournebroche, on recommande l'utilisation d'un plateau d'égouttement pour capter les jus de cuisson. Placer le plateau d'égouttement sur le Flav- R-Wave, sous le centre des aliments. Verser un demi à un pouce d'eau dans le plateau d'égouttement. Pour plus de saveur, ajouter du jus de fruit, du vin ou une marinade. Ne pas laisser le liquide s'évaporer complètement du plateau d'égouttement.
- On recommande de fermer le couvercle et de cuire à basse température pour la cuisson par convection sans tournebroche. Tous les brûleurs peuvent être réglés à feu bas ou les brûleurs extérieurs à feu moyen, et le(s) brûleur(s) du centre éteint(s). En fermant les brûleurs du centre, on évite que le liquide dans le plateau d'égouttement ne brûle.
- Avant de placer la viande sur le grill, badigeonnez d'huile végétale pour dorer la viande.
- La cuisson indirecte sans plateau d'égouttement est déconseillée. Si vous le faites, soyez prudent(e) car les jus de cuisson pourraient causer un feu de graisse.
- Éteindre le grill et laisser refroidir avant d'enlever le plateau d'égouttement. Les jus de cuisson sont hautement inflammables et doivent être manipulés avec soin pour éviter les blessures.
- Pour une cuisson à convection de rôtis et de volaille sans tournebroche, placer la viande sur une rôtissoire directement sur les grilles de cuisson.

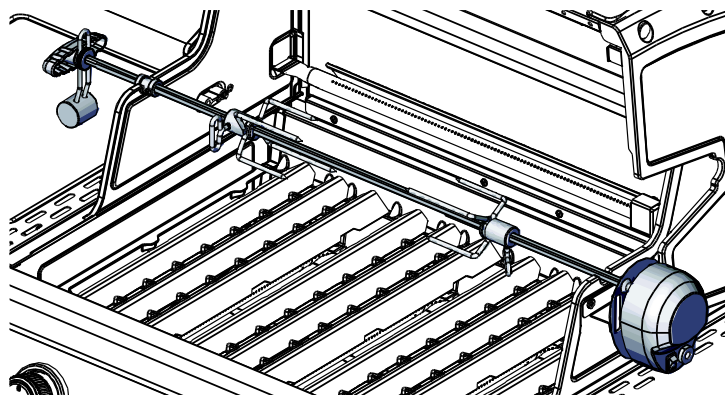
GUIDE POUR LA CUISSON À CONVECTION ET AU TOURNEBROCHE

RÔTI DE BOEUF	3 - 6 Lb.	MOYEN/BAS	2 - 4 HRS
RÔTI DE BOEUF	6 - 10 Lb.	MOYEN/BAS	3 - 5 HRS
RÔTI DE PORC	2 - 5 Lb.	MOYEN/BAS	2 - 4 HRS
RÔTI DE PORC	6 - 10 Lb.	MOYEN/BAS	3 - 5 HRS
DINDE OU POULET	2 - 5 Lb.	MOYEN/BAS	2 - 4 HRS
DINDE OU POULET	5 - 10 Lb.	MOYEN/BAS	3 - 5 HRS

QUAND VOUS UTILISEZ LE BRÛLEUR ARRIÈRE, RÉGLER À MOYEN / HAUT

CUISSON AU TOURNEBROCHE

Suivre les étapes de la cuisson indirecte à convection.



- Le tournebroche peut accommoder jusqu'à 15 lb (7 kg) de viande, limité seulement par l'espace de rotation. Pour de meilleurs résultats, installer la viande au centre de la broche afin qu'elle soit bien équilibrée.
- Si l'espace le permet, le tournebroche peut être utilisé avec les grilles de cuisson en place.
- Bien attacher la viande sur la broche avant de l'installer sur le grill. Pour la volaille, attacher fermement les ailes et les cuisses.

CUISSON AU TOURNEBROCHE AVEC BRÛLEUR ARRIÈRE

- Certains modèles sont équipés d'un brûleur arrière pour la cuisson au tournebroche. Cette méthode offre des résultats supérieurs pour la cuisson de rôtis et de volaille. Puisque la source de chaleur est située à l'arrière, il n'y aura pas de flambée causée par l'égouttement des jus de cuisson. Un plat ou un plateau d'égouttement placée sous la broche permettra de recueillir les jus pour l'arrosage ou la préparation d'une sauce.
- Le brûleur arrière à ressort peut être facilement enlevé lorsqu'il n'est pas utilisé.
- Pour le fonctionnement du brûleur arrière, voir "Allumage du brûleur arrière." (Page 37)

GUIDE DE TEMPÉRATURE DES VIANDES

	SAIGNANT	MOYEN	BIEN CUIT
BOEUF / AGNEAU / VEAU	130°F / 55°C	146°F / 63°C	160°F / 70°C
PORC		150°F / 65°C	170°F / 77°C
VOLAILLE			170°F / 77°C
HAMBURGER			160°F / 70°C

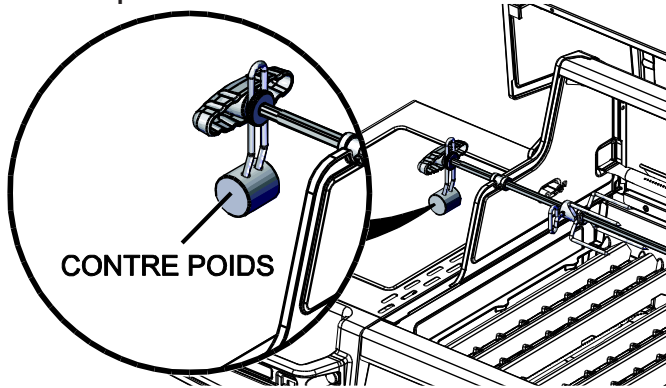
POUR DE MEILLEURS RÉSULTATS, UTILISEZ UN THERMOMÈTRE À VIANDE

TECHNIQUES DE CUISSON

ÉQUILIBRER LE TOURNEBROCHE

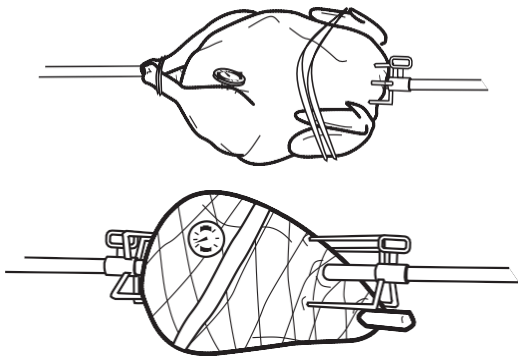
1. Desserrer la poignée de la broche pour permettre au contrepoids de balancer librement.
2. Placer la broche dans les coches du boîtier du grill. Permettre au côté le plus lourd de la viande de pivoter vers le bas.
3. Ajuster le contrepoids sur le dessus de la broche, à l'opposé du côté le plus lourd de la viande.
4. Serrer la poignée. Vérifier périodiquement que la viande tourne uniformément lors de la cuisson. Ajuster le contrepoids au besoin.

MISE EN GARDE: utiliser des gants de cuisine pour ajuster le contrepoids.



COMMENT UTILISER UN THERMOMÈTRE À SONDE

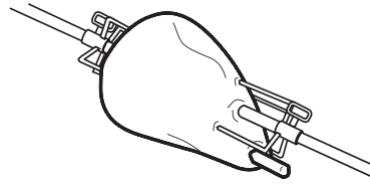
1. La façon précise de déterminer qu'une grosse coupe de viande est cuite est d'utiliser un thermomètre à sonde. Insérer le bout métallique obliquement au centre de la viande, dans la partie la plus épaisse. **Veiller à ne pas toucher d'os ou la broche et vous assurer que la sonde est installée dans la chair, et non le gras. Vous remarquerez beaucoup moins de résistance lorsque le thermomètre sonde du gras.**



2. Quand le thermomètre indique la température désirée, la viande est cuite. Ajouter vos sauces dans les dernières minutes de cuisson. Laisser reposer la viande 15 minutes afin qu'elle se raffermisse. Découper et servir.

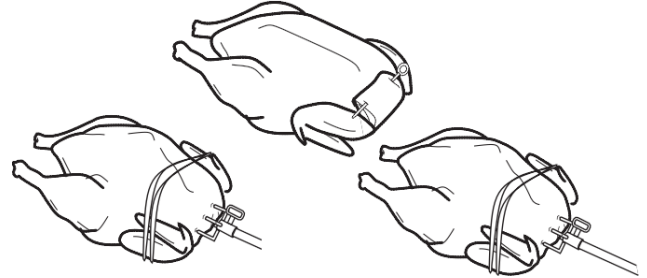
- Volaille: insérer le bout du thermomètre dans la partie la plus épaisse de la cuisse, près du corps.
- Jambon ou rôtis: insérer le bout du thermomètre au centre de la section la plus épaisse de la viande.

UTILISER UNE BROCHE POUR UN GIGOT D'AGNEAU



1. Faire scier 3 po (8 cm) d'os de la petite partie du gigot.
2. Laisser la viande autour de l'os intacte pour former un rabat.
3. Placer une fourchette sur la broche.
4. Replier le rabat et passer la broche à travers le rabat et le gigot.
5. Placer une deuxième fourchette sur la broche et insérer les deux fourchettes à chaque extrémité du gigot. Vérifier l'équilibre. Serrer les vis.

UTILISER UNE BROCHE POUR LA VOLAILLE



1. Poitrine vers le bas, recouvrir la cavité avec la peau du cou.
2. Plier la peau et fixer avec une brochette.
3. Enrouler une ficelle autour de la brochette et attacher.
4. Poitrine vers le haut, attacher les ailes au corps avec une ficelle ou une brochette.
5. Placer une fourchette sur la broche. Insérer la broche dans la peau du cou, parallèle à la colonne vertébrale, ressortir juste au-dessus de la queue.
6. Placer une deuxième fourchette sur la broche et insérer les dents dans la poitrine et la queue. Vérifier l'équilibre. Serrer les vis.
7. Avec de la ficelle, attacher la queue à la broche, croiser les cuisses et attacher à la queue.

METTRE TROIS POULETS SUR UNE BROCHE



1. Avec une ficelle ou des brochettes, fixer les ailes au corps.
2. Placer une fourchette sur la broche. Placer les poulets sur la broche tel qu'indiqué sur le diagramme ci-dessus.
3. Enrouler une ficelle autour des queues et des cuisses. Fixer à la broche.
4. Placer la deuxième fourchette sur la broche et insérer les dents dans le poulet. Serrer les vis.

ENTRETIEN

ENTRETIEN PERIODIQUE

Pour assurer une performance et une sécurité optimales, les pièces suivantes doivent être inspectées et nettoyées avant l'utilisation de votre barbecue.

GRILLES DE CUISSON : FONTE, FONTE D'INOX, ET ACIER INOXYDABLE

Les grilles de cuisson réversibles BROIL KING®, en fonte ou fonte d'inox, fournissent une rétention de chaleur et une performance de cuisson inégales.

Les grilles de cuisson BROIL KING® en acier inoxydable fournissent une durabilité maximale et une rétention de chaleur et des performances de cuisson très bonnes.

Les grilles de cuisson en fonte BROIL KING® ont une finition émaillée pour protéger les grilles et éviter aux aliments d'adhérer aux grilles. Une utilisation et un entretien réguliers améliorent la performance et la longévité des grilles.

Pour des performances optimum :

- Avant la première utilisation ou après une longue période de stockage, laver les grilles à l'eau savonneuse, les rincer et les sécher avec un linge ou de l'essuie tout. Ne jamais laisser sécher à l'air libre ou laver en machine.
- Immédiatement après le nettoyage, badigeonner les grilles avec de l'huile de cuisson biologique, pressée à froid avec un point de fumée élevé, allumer le barbecue et faire chauffer sur la position MED/LOW pendant 30 minutes.
- Les huiles recommandées sont :
 - Huile d'avocat – point de fumée (260C/500F)
 - Huile de son de riz – point de fumée (255C/490F)
 - Huile de colza – point de fumée (204C/400F)
- Avant et après chaque utilisation, brosser les grilles avec une brosse de bonne qualité (modèle n° 65225, 64014, 64034) et les enduire légèrement d'huile de cuisson (à point de fumée élevé). Cela continue le processus de protection des grilles.
- **Utiliser la position MED (moyen) pour préchauffer et griller afin d'éviter de brûler le revêtement protecteur des grilles**
- Eviter d'appliquer des marinades à base de sucre ou du sel avant la cuisson. Pour les marinades sucrées, les mettre en fin de cuisson. Saler vos plats après la cuisson.
- Utiliser des marinades à base d'huile. Eviter les marinades à base d'eau.
- Enduire légèrement vos aliments à base d'huile de votre choix avant cuisson.
- Retourner et faire pivoter les grilles régulièrement.
- S'assurer que les grilles de cuissons sont toujours recouvertes d'une fine couche de graisse. Cela aide à prévenir la rouille et les détériorations, et améliore les performances anti adhésives de la grille.
- Si une oxydation apparaît, faire chauffer la grille à feu fort, la brosser avec une brosse de bonne qualité et recommencer le processus une fois la grille froide.

Avant une longue période d'inactivité, les grilles doivent être badigeonnées d'huile de cuisson et ensuite rangées dans un endroit sec. Elles peuvent être filmées avec du film étirable alimentaire. Suite à cette période de stockage, faire chauffer les grilles à feu fort, les laver, les sécher avec un linge ou de l'essuie-tout et les badigeonner à nouveau avec de l'huile de cuisson.

AVERTISSEMENT :

Si vous brossez les grilles avec une brosse pour gril à brins en acier inoxydable :

- **Si le gril est chaud, soyez prudent et utilisez des mitaines de fourneau pour protéger vos mains.**
- **Inspectez les grilles minutieusement après le brossage pour vous assurer qu'il n'y ait aucun brin en acier inoxydable qui soit resté sur la grille.**

RECUPERATEUR DE GRAISSE

Le récupérateur de graisse se trouve dans le tiroir sous la console. Le vider et le nettoyer régulièrement.

FLAV-R-WAVE™

Le Flav-R-Wave est conçu pour générer de la fumée et de la vapeur à partir des jus de cuisson et ainsi fournir cette saveur authentique de barbecue tout en protégeant le brûleur. Si des résidus s'accumulent sur le Flav-R-Wave™, enlever la grille de cuisson et gratter les résidus du Flav-R-Wave™ avec le lève grille. (Modèle 60745)

NETTOYAGE GENERAL

Effectuer une pyrolyse (Voir ci-dessous).

Quand les grilles sont froides, les enlever, nettoyer les Flav-R-Wave™ en les grattant avec le lève-grille puis les retirer.

Nettoyer l'intérieur de la cuve si nécessaire en grattant les côtés et le fond de la cuve avec le lève-grille, puis aspirer les résidus récoltés. Une oxydation naturelle peut apparaître sur des pièces en acier inoxydable. Elle n'affectera pas les performances de votre barbecue.

PYROLYSE

Allumer les brûleurs comme indiqué dans le chapitre ALLUMAGE (page 21).

Faire chauffer en position HIGH avec le couvercle fermé pendant 10 minutes maximum.

Fermer l'arrivée de gaz de la bouteille puis les boutons de gaz.

ENTRETIEN ANNUEL

Les pièces suivantes doivent être inspectées et nettoyées au moins une fois par an ou après une période de non activité de plus de 30 jours pour assurer des performances, une sécurité et une efficacité optimales.

BRULEURS

Retirer les brûleurs et les inspecter pour détecter des éventuelles fissures ou détérioration. Nettoyer le venturi du brûleur avec un goupillon ou une brosse à venturi pour éliminer une quelconque obstruction. Voir chapitre TUBES VENTURI (Page 20). Quand les brûleurs sont retirés, enlever toutes traces de graisse : nettoyer l'intérieur de la cuve en grattant les côtés et le fond de la cuve, puis passer l'aspirateur.

TUYAU DE GAZ

Vérifier et changer le tuyau de gaz si nécessaire. Voir chapitre "TUYAU DE GAZ ET DETENDEUR." (Page 18)

COMPOSANTS EXTERIEUR EN FONTE D'ALUMINIUM

Si des points d'oxydation apparaissent, laver l'extérieur du feu en aluminium à l'eau savonneuse. Rincer soigneusement puis essuyer avec un chiffon. Passer ensuite un linge imbibé d'huile de cuisson pour lustrer. Pour réparer des éraflures, utiliser de la peinture en aérosol résistante à de hautes températures (350°C) et de bonne qualité pour des retouches.

PIECES EN INOX ET EN EMAIL

Laver à l'eau savonneuse. Utiliser un produit de nettoyage spécial Inox pour polir et enlever les marques de rouille si nécessaire. Les intempéries et la chaleur extrême peuvent faire en sorte que le couvercle en acier inoxydable devienne brunâtre. Ceci est une décoloration et n'est pas considéré comme un défaut de fabrication.

PIECES EN RESINE ET TABLETTES LATERALES

Laver à l'eau savonneuse.

REMPACEMENT DE PIECES

Si vous détectez un problème au niveau du tuyau de gaz, du détendeur, d'un brûleur ou d'une soupape, ne tentez pas de réparer la pièce. Changez la pièce en utilisant des pièces d'origine BROIL KING® pour vous assurer d'une performance optimum. Contactez votre revendeur qui pourra vous fournir la pièce.

TEST D'ETANCHEITE

Au changement de bouteille de gaz, faire le test d'étanchéité. Voir page 19.

DÉPANNAGE

PROBLÈME	CAUSE POSSIBLE	MESURE CORRECTIVE
ODEUR DE GAZ	FERMER IMMÉDIATEMENT LE ROBINET DE LA BONBONNE DE PROPANE. NE PAS UTILISER L'APPAREIL JUSQU'À CE QUE LA FUITE SOIT SCELLÉE.	
Fuite détectée à la bonbonne, au régulateur ou autre connexion.	1. Raccord du régulateur desserré. 2. Fuite de gaz dans le tuyau/régulateur ou la soupape de contrôle.	1. Resserrer et voir "Test d'étanchéité" (page 17) 2. Voir votre centre de service autorisé.
Flammes sous le panneau de contrôle (retour de flamme)	1. Venturi bloqué.	1. Enlever le brûleur et nettoyer le venturi. Voir "Tubes venturi" (page 17)
Flamme de brûleur vacillante ou basse températures au réglage HIGH.	1. Le dispositif de sécurité limitateur de débit a été activé entre la bonbonne et le gril.	1. Fermer le robinet de la bonbonne de propane et éteindre tous les brûleurs. Débrancher le régulateur de la bonbonne. Attendre deux minutes. Rebrancher le régulateur à la bonbonne. Tourner le robinet de la bonbonne lentement. Attendre une minute. Allumer le gril et voir "Allumage" (page 18)
Le brûleur n'allume pas.	1. Manque de propane. 2. Problème avec le bouton d'allumage. 3. Le dispositif de sécurité limitateur de débit a été activé. 4. Le régulateur n'est pas complètement connecté à la soupape de la bonbonne. 5. Une fuite dans le système a activé le dispositif limitateur de débit. 6. Venturi bloqué ou non aligné avec l'orifice de la soupape. 7. Orifice(s) bloqué(s). 8. Tuyau tordu.	1. Faire remplir la bonbonne. 2. Tenter d'allumer manuellement le brûleur avec une allumette. Voir "Allumage" (page 18). Si le brûleur s'allume, le bouton d'allumage fait défaut. Voir "Bouton d'allumage ne fonctionne pas" ci-dessous. 3. Suivre la solution "Flamme de brûleur vacillante ou basse température au réglage HIGH" ci-dessus. 4. Serrer la roue à main du régulateur. 5. Tester l'étanchéité des connexions pour déterminer la composante desserrée. Resserrer. Tester l'étanchéité du système. 6. Enlever le brûleur, nettoyer le venturi et réaligner avec l'orifice de la soupape. Voir la page 17. 7. Enlever le brûleur et nettoyer les orifices avec une aiguille ou un fil en métal. N'utilisez pas une perceuse. 8. Redresser le tuyau. Éloigner du fond du boîtier.
Le bouton d'allumage ne fonctionne pas.	1. La pile du bouton d'allumage ne fonctionne plus 2. Les fils du bouton d'allumage ne sont pas branchés 3. L'électrode n'est pas bien alignée sur le brûleur 4. Le bouton d'allumage ne fonctionne pas	1. Remplacer la pile. 2. Vérifier que les fils de l'électrode du brûleur principal et du brûleur latéral sont connectés 3. Réaligner l'électrode et enlever tout débris de l'espace. 4. Voir "Allumer le brûleur avec une allumette" (Page 18)
Chaleur moins intense, crépitements.	1. Panne de propane. 2. Venturi bloqué.	1. Faire remplir la bonbonne. 2. Enlever le brûleur et nettoyer le venturi. Voir "Tubes venturi" (Page 17).
Sections chaudes sur la surface de cuisson	1. Venturi bloqué 2. Débris accumulés sur le Flav-R-Wave	1. Enlever le brûleur et nettoyer le venturi. Voir "Tubes venturi" (Page 17). 2. Gratter le Flav-R-Wave et passer l'aspirateur.
Flambées ou feux de graisse	1. Accumulation excessive de graisse sur le vaporisateur ou dans le boîtier du barbecue 2. Chaleur excessive.	1. Bien gratter le Flav-R-Wave et l'intérieur du boîtier et passer l'aspirateur pour enlever les débris 2. Tourner les boutons de contrôle à une température inférieure
Vrombissement du régulateur	1. Le robinet de la bonbonne a été ouvert trop rapidement.	1. Ouvrir le robinet plus lentement.
Flamme jaune	1. Il est normal d'apercevoir un peu de flammes jaunes mais en quantité excessive, il est possible que le venturi soit bloqué. 2. Orifices du brûleur bloqués.	1. Enlever le brûleur et nettoyer le venturi. Voir "Tubes venturi" (page 17). 2. Enlever le brûleur et nettoyer avec une brosse à soies souples (ex: brosse à dent).
L'intérieur du couvercle semble peler	1. Une accumulation de graisse. L'intérieur du boîtier n'est pas peint donc il ne peut pas peler.	1. Nettoyer avec une brosse à poils rigides ou un grattoir.
Rouille sur les grilles de cuisson	1. L'émail s'est écaillé	1. Voir "Entretien" (page 22)
L'éclairage du panneau de commande ou du four ne fonctionne pas	1. L'appareil n'est pas raccordé à la source d'alimentation. 2. Convertisseur défectueux. 3. Raccords desserrés ou corrodés. 4. Ampoule brûlée	1. Raccordez le cordon électrique avec disjoncteur de mise à la terre à l'appareil. Branchez l'appareil dans une prise électrique fonctionnelle. 2. Vérifiez que le débit du convertisseur est 12 V.c.a. Remplacez au besoin. 3. Nettoyez les raccords et assurez-vous que tous les connecteurs sont solidement comprimés. 4. Remplacez les ampoules

Si ce dépannage ne résout pas ces problèmes particuliers ou autres, visitez www.omcbbq.com pour plus de renseignements, y compris des capsules de dépannage, conseils et astuces ou appelez le service à la clientèle au 1-800-265-2150

GARANTIE

La garantie d'BROIL KING® entre en vigueur à compter de la date d'achat, et se limite à la réparation ou au remplacement gratuit(e) des pièces qui s'avèrent être défectueuses sous des conditions d'utilisation domestique normales.

Au Canada et aux États-Unis, les pièces de remplacement sont expédiées FOB usine.

Dans tous les autres pays, elles sont expédiées FOB le Distributeur BROIL KING® (veuillez consulter votre concessionnaire pour le nom du distributeur BROIL KING®). Tous les autres coûts sont la responsabilité du propriétaire.

Cette garantie n'est accordée qu'à l'acheteur original indiqué sur le formulaire d'enregistrement de la garantie, et ne s'applique qu'aux produits vendus au détail et utilisés dans le pays d'achat. (Les différents types d'alimentation en gaz nécessitent de différents régulateurs, valves et orifices).

CE QUI EST COUVERT PAR LA GARANTIE

	IMPERIAL REGAL BARON	CROWN SIGNET MONARCH	GEM
COMPOSANTES DU COUVERCLE EN ACIER INOXYDABLE ET PORCELAINE	Vie	Vie	10 Ans
COMPOSANTES DE LA CHAMBRE DE CUISSON EN FONTE D'ALUMINIUM	Vie	Vie	10 Ans
CHAMBRE DE CUISSON EN ACIER INOXYDABLE	Vie	Vie	
GRILLES EN ACIER INOXYDABLE	15 Ans	5 Ans	
GRILLES EN FONTE		2 Ans	2 Ans
FLAV-R-WAVE™ EN ACIER INOXYDABLE	15 Ans	3 Ans	2 Ans
BRÛLEURS À DUAL-TUBE™	15 Ans	10 Ans	
BRÛLEURS À TUBE			5 Ans
BRÛLEUR LATÉRAL	15 Ans	2 Ans	2 Ans
BRÛLEUR ARRIÈRE	15 Ans	10 Ans	
BRÛLEUR LATÉRAL INFRAROUGE (À L'EXCEPTION MAILLE)	15 Ans	5 Ans	
COMPOSANTES DU CHARIOT EN ACIER INOXYDABLE	15 Ans	5 Ans	
PIÈCES RESTANTES ET PEINTURE	15 Ans	2 Ans	2 Ans

CE QUI N'EST PAS COUVERT PAR LA GARANTIE

Toutes défaillances ou difficultés au niveau du fonctionnement causées par un accident, l'abus, une mauvaise utilisation, une modification, une mauvaise application, le vandalisme, une mauvaise installation, l'entretien/le service incorrect, ou un manquement à fournir l'entretien régulier, y compris sans limitations les dommages causés par les insectes dans les brûleurs, tel qu'indiqué dans le guide de l'utilisateur.

La détérioration ou les dommages causés par les intempéries telles que la grêle, les ouragans, les tremblements de terre ou les tornades, la décoloration suite à l'exposition directe ou indirecte aux produits chimiques.

Coûts d'expédition ou de transport.

Coûts d'enlèvement ou de réinstallation.

Coûts de main d'œuvre pour l'installation et les réparations.

Coûts des appels de service.

Responsabilité pour les dommages indirects ou consécutifs.

Les grils à gaz prévus pour l'usage comme aménagement commun ou les grils à gaz non directement utilisés et entretenus par l'acheteur.

ENREGISTREZ VOTRE GRIL

Vous pouvez enregistrer la garantie de votre gril en ligne sur www.omcbbq.com ou en composant le 1-800-265-2150.

PIÈCES DE REMPLACEMENT

Les "pièces de remplacement BROIL KING® véritables" doivent toujours être utilisées en cas de remplacement. L'installation de différentes pièces annulera automatiquement la garantie ci-dessus.

BRÛLEURS

La durée de vie des brûleurs BROIL KING® (fabriqués d'acier inoxydable) dépend presque totalement d'une utilisation correcte et d'un bon nettoyage et entretien. Cette garantie ne protège pas contre l'utilisation et l'entretien incorrects. Veuillez consulter la page 23 pour des directives d'entretien des brûleurs.

GRILLES DE CUISSON REVÊTUES DE PORCELAINE

Toutes les grilles de cuisson en fonte d'BROIL KING® sont revêtues de porcelaine émaillée pour faciliter le nettoyage et réduire l'adhésion des aliments sur la grille. La porcelaine agit essentiellement d'un revêtement en verre. Une mauvaise manipulation peut causer l'écaillage de cette finition. Ceci n'affectera pas le fonctionnement ni la performance des grilles. La garantie ne protège pas contre l'écaillage ou la rouille des grilles en raison d'une mauvaise manipulation. Veuillez consulter la section "Entretien" à la page 22 pour les directives d'entretien et de nettoyage.

SYSTÈMES DE VAPORISATION

Les grils à gaz BROIL KING® sont conçus pour l'utilisation avec les systèmes de vaporisation Flav-R-Wave™. L'usage de tout autre produit annulera la garantie.

FLAV-R-WAVE™

Les composants Flav-R-Wave™ sont garantis contre tout défaut de matériel ou la rouille pendant 3 ans sur les modèles Monarch, Signet et Baron, pendant 5 ans sur les modèles Sovereign, Regal et Imperial, et pendant 2 ans sur tous les autres modèles, à compter de la date d'achat. La rouille superficielle n'affectera pas la performance des composants Flav-R-Wave™, et elle n'est pas couverte par la garantie. Veuillez consulter la section "Entretien" à la page 22 pour les directives d'entretien des composants Flav-R-Wave™.

TRANSPORT

L'expédition est offerte gratuitement pour les commandes de garantie envoyées dans les six (6) mois qui suivent la date d'achat. Après cette période, un frais d'expédition s'appliquera à toutes les commandes de garantie.

RÉCLAMATIONS DE GARANTIE

Toutes les réclamations de garantie sont traitées directement par BROIL KING®. Les pièces doivent être renvoyées au Service de la garantie d'BROIL KING®, les frais d'expédition prépayés, accompagnées du no de modèle et de série, et si votre gril n'est pas enregistré, de la preuve d'achat (copie du reçu de vente ou de la facture). Dans le cas où l'inspection confirme une défaillance, BROIL KING® réparera ou remplacera la pièce en question selon les provisions de la garantie.

Sur la réception d'une lettre ou d'une télécopie (non par téléphone) et à sa propre discrétion, BROIL KING® peut choisir de ne pas exiger le renvoi des pièces.

RÉSIDENTS NON AMÉRICAINS/CANADIENS

La garantie ci-dessus est administrée par le distributeur BROIL KING® dans votre pays. Veuillez contacter le détaillant pour savoir le nom de votre distributeur BROIL KING®.

Broil King®

MANUAL DEL USUARIO

PARA USAR CON GAS LP (PROPANO LICUADO)
EN CANADÁ, GAS PROPANO



ANSI Z21.58-2018 / CSA 1.6-2018

ÍNDICE

SEGURIDAD	30
INSTALACIÓN	30
CILINDRO DE GAS LP	31
MANGUERA Y REGULADOR	32
PRUEBA DE FUGAS	33
TUBOS VENTURI	34
ENCENDIDO	35
FUNCIONAMIENTO	36
TÉCNICAS DE COCCIÓN	37
MANTENIMIENTO	40
DIAGNÓSTICO DE PROBLEMAS	41
GARANTÍA	42

NOTA PARA EL INSTALADOR: ESTAS INSTRUCCIONES DEBE DEJARSE CON EL CONSUMIDOR.



PELIGRO

SI SIENTE OLOR A GAS:

1. CORTE EL SUMINISTRO DE GAS DEL ARTEFACTO
2. APAGUE TODAS LAS LLAMAS EXPUESTAS
3. ABRA LA TAPA
4. SI EL OLOR PERSISTE, MANTÉNGASE A DISTANCIA DEL ARTEFACTO Y LLAME INMEDIATAMENTE A SU PROVEEDOR DE GAS O A LOS BOMBEROS



ADVERTENCIA

1. NO ALMACENE NI UTILICE GASOLINA NI OTROS LÍQUIDOS NI VAPORES INFLAMABLES EN LAS PROXIMIDADES DE ESTA PARRILLA
2. LOS CILINDROS LP QUE NO ESTÉN CONECTADOS A LA PARRILLA NO DEBEN ALMACENARSE CERCA DE ÉSTE NI DE NINGÚN OTRO ARTEFACTO

INTRODUZCA AQUÍ SU NÚMERO DE MODELO, NÚMERO DE SERIE Y FECHA DE COMPRA.

Esta información puede encontrarse en la etiqueta de advertencia negra y plateada de OMC que se encuentra en la parte posterior o lateral de su parrilla a gas.

Número de modelo					-		
Número de serie			-				
Fecha de Compra		dd	/	mm	/	yyyy	

LEA CUIDADOSAMENTE TODAS LAS INSTRUCCIONES ANTES DE UTILIZAR SU PARRILLA A GAS. GUARDE ESTAS INSTRUCCIONES PARA REFERENCIA FUTURA.

POR INSTRUCCIONES DE ARMADO, CONSULTE SU MANUAL DE ARMADO O VISITE www.omcbbq.com PARA VER NUESTROS VIDEOS DE ARMADO.

SEGURIDAD

Su nueva parrilla a gas OMC es un artefacto seguro y práctico si se arma y se usa correctamente. Sin embargo, como sucede con todo artefacto que funciona con gas, es necesario respetar ciertas medidas de seguridad al utilizarlo. **No seguir estas medidas de seguridad podría causar heridas o daños graves.** Si tiene alguna pregunta sobre el montaje o utilización de la parrilla, consulte a su distribuidor, a un especialista en artefactos a gas, a la compañía de gas o llame a nuestro servicio de atención al cliente al 1-800-265-2150. / info@omcbbq.com

CUIDADO

- **SÓLO PARA USO EN EXTERIORES.**
- **SI GUARDA LA PARRILLA EN UN INTERIOR, DESCONECTE Y DEJE EL CILINDRO EN EL EXTERIOR.**
- **ESTE ARTEFACTO NO PUEDE DEJARSE FUNCIONANDO SIN ATENDERLO.**
- **DEBE PONERSE ESPECIAL CUIDADO EN MANTENER A LOS NIÑOS PEQUEÑOS ALEJADOS DE LAS SUPERFICIES CALIENTES.**

Tenga cuidado al manejar o transportar este producto. Los bordes de metal pueden ser peligrosos. Utilice los guantes adecuados para levantar o manipular el artefacto. Antes de levantarlo, retire los estantes, rejillas y parrillas.

PRECAUCIONES ELÉCTRICAS

1. Si en combinación con este artefacto utiliza cualquier accesorio que necesite una fuente externa de alimentación de corriente, deberá instalar dicho accesorio con una toma eléctrica a tierra, de acuerdo con los códigos locales. Si no hubiese códigos locales, guíese por las siguientes normas:

(EE.UU.) ANSI/NFPA No. 70- Última edición y (Canadá) CSA C22.1 Código eléctrico de Canadá

2. No corte ni desconecte la toma a tierra del enchufe.
3. Mantenga el cable de alimentación y la manguera del combustible alejados de toda superficie caliente.

ADVERTENCIA SEGÚN LA LEY 65

Al manipular el bronce que contiene este producto, usted se está exponiendo al plomo, un producto químico que de acuerdo con el Estado de California produce cáncer, defectos de nacimiento y otros daños reproductivos. **LÁVESE LAS MANOS LUEGO DE MANIPULAR ESTE PRODUCTO.**

ADVERTENCIA

El combustible utilizado en artefactos que queman gas o aceite y los productos de dicha combustión contienen productos químicos que de acuerdo con el Estado de California producen cáncer, defectos de nacimiento y otros daños reproductivos. Esta advertencia se emite de acuerdo con lo establecido por el Código Sanitario y de Seguridad de California, Sección 25249.6

INSTALACIÓN

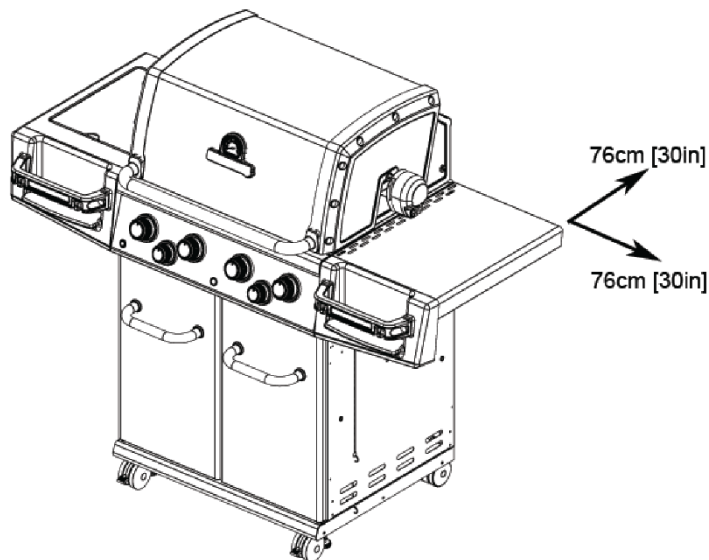
1. En U.S.A., este artefacto debe instalarse de acuerdo con los códigos locales y con los códigos nacionales pertinentes:

ANSI Z223.1/NFPA 54 - Última edición del Código nacional del gas combustible y los códigos locales más recientes, según corresponda.

2. En Canadá, este artefacto debe instalarse de acuerdo con los códigos locales y con las normas CSA pertinentes:

CSA-B149.1 Código de instalación de gas natural y propano

3. El artefacto debe ubicarse lejos de superficies combustibles, alejado de estas como mínimo 76 cm / 30 pulgadas por cada lado, y 76 cm / 30 pulgadas de la parte posterior.



4. **No utilice** este artefacto dentro de ninguna construcción techada ni debajo de follaje.
5. Este artefacto es para **USO EXCLUSIVO EN EXTERIORES**, **NO** lo utilice en garajes, galpones, balcones ni en ningún otro tipo de área cerrada.
6. **NO** limite el flujo de aire que circula alrededor del artefacto.
7. Mantenga el área que rodea al artefacto libre de materiales combustibles, gasolina, y de cualquier otro líquido o vapor inflamable.
8. Este artefacto no está diseñado para ser instalado en vehículos recreativos ni en embarcaciones.
9. Mantenga la(s) entrada(s) de ventilación del alojamiento del cilindro despejadas y libres de desechos.

COLOCACIÓN DEL CILINDRO DE GAS LP

Las instrucciones que aparecen a continuación son únicamente para modelos LP. Los cilindros de gas LP deben instalarse de acuerdo con las instrucciones de montaje utilizando el retén suministrado. No almacene los cilindros de repuesto debajo ni cerca de este artefacto. Todos los cilindros utilizados deben ser compatibles con los medios de retención suministrados para el cilindro.

CILINDRO DE GAS LP

La norma para artefactos a gas para exteriores, ANSI Z21.58/CAN/CGA-1.6, exige que los artefactos a gas LP sean usados con cilindros equipados con:

- Un dispositivo de prevención contra llenado excesivo (OPD)
- Un sistema de Acople de cierre rápido QCC®-1

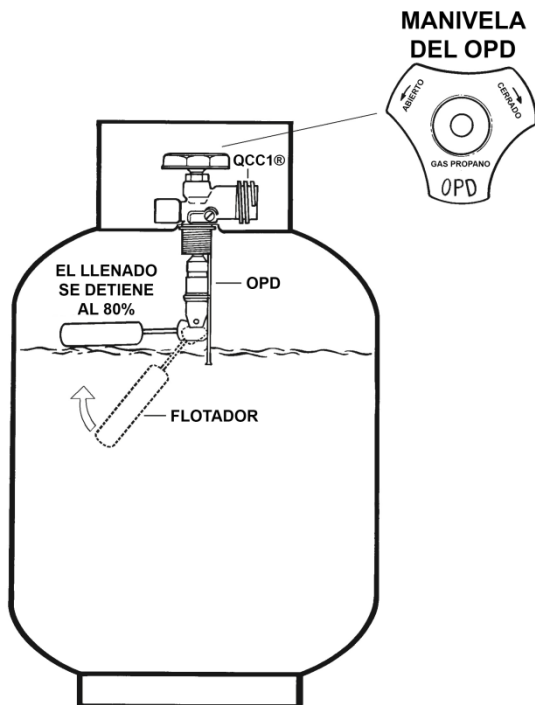
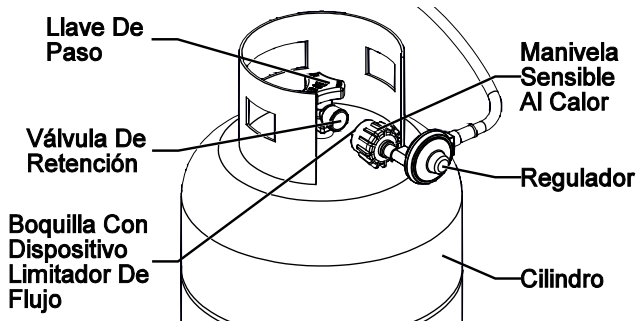
DISPOSITIVO DE PREVENCIÓN CONTRA LLENADO EXCESIVO

El OPD está diseñado para reducir el potencial de llenado excesivo de los cilindros de propano, con lo cual se reduce la posibilidad de que la válvula de alivio despidan propano crudo. **El OPD permite purgar/llenar el cilindro más lentamente.**

QCC®-1 - ACOUPLE DE CIERRE RÁPIDO

El sistema QCC®-1 incorpora las características de seguridad que exige el Instituto Nacional de Normalización de Estados Unidos (ANSI, por sus siglas en inglés) y la Asociación de Normas de Canadá (CSA).

- El gas no circulará hasta que la conexión establecida no sea correcta
- Un elemento térmico suspenderá el flujo de gas entre 240 y 300°F
- Siempre que esté activado, un Dispositivo limitador de flujo limitará el flujo de gas a 10 pies cúbicos/hora



El cilindro de gas LP no viene incluido con la parrilla a gas. Asegúrese de utilizar un cilindro de gas LP equipado con el OPD y la válvula QCC®.

IDENTIFICACIÓN

Puede reconocer la válvula QCC®-1 por las roscas externas en el puerto de entrada de la válvula del cilindro de gas LP.

Se ha estandarizado la manivela del OPD con la forma que se muestra.

Puede obtener cilindros de gas LP equipados con QCC® / OPD mediante su distribuidor de parrillas a gas.

NOTA: Cualquier intento de conectar el regulador, utilizando adaptadores o cualquier otro medio, a otra válvula podría causar daños, incendios, o heridas y podría inutilizar las importantes características de seguridad del sistema QCC®-1.

ESPECIFICACIÓN

1. Todos los cilindros de gas LP que se utilizan con este artefacto deben estar contruidos e identificados de acuerdo con las Especificaciones para cilindros de gas LP del Departamento de Transportación (DOT, por sus siglas en inglés), o la Norma Nacional de Canadá, CAN/CSA-B339, Cilindros, esferas y tubos para transportación de productos peligrosos; y la Comisión, según corresponda.
2. El cilindro de gas LP que se utiliza con este artefacto no debe sobrepasar las 20 libras (9 kg) de capacidad. Aproximadamente 18" (46 cm) de alto y 12" (31 cm) de diámetro.
3. Todos los cilindros de gas LP que se utilizan con este artefacto deben revisarse cada vez que se llenen y deben ser reevaluados en un punto de suministro autorizado una vez cumplida su fecha de vencimiento (10 años), según lo dispuesto por los códigos del DOT (EE.UU.) y por la Comisión Canadiense de Transportación (Canadá) para cilindros de gas LP.
4. Todos los cilindros que se utilicen con este artefacto deben suministrarse con una válvula de cierre terminada en una salida de válvula No. 510, según las especificaciones de las Normas de conexión de entrada y salida para válvulas de cilindros de gas comprimido ANSI/CGA-V-1-1977 (EE.UU.) y CSA B96 (Canadá).
5. El sistema de suministro del cilindro debe estar acondicionado para recuperación de vapor.
6. El cilindro debe incluir un collar para proteger la válvula del cilindro.
7. El cilindro debe instalarse de acuerdo con las instrucciones de montaje.
8. Nunca llene el cilindro más allá del 80% de su capacidad. Podría producirse un incendio que podría provocar muertes o heridas graves.
9. La válvula del cilindro debe incluir un dispositivo de alivio de seguridad directamente conectado al espacio de los vapores del cilindro.

MANEJO

1. Las reglamentaciones gubernamentales prohíben el envío de cilindros de gas LP llenos. Usted debe llevar su cilindro nuevo a un vendedor de gas LP para llenarlo.
2. Los cilindros de gas LP llenos están bajo una presión muy alta. Manéjelos siempre con cuidado y transpórtelos en posición vertical. Proteja la válvula contra accidentes que puedan dañarla.
3. No incline el cilindro de gas LP mientras lo conecta al regulador. Asegure firmemente el cilindro de gas LP para su transporte, utilización y almacenamiento.
4. Si se inclina el cilindro de gas LP después de conectarlo al regulador, suspenda el suministro de gas, desconecte el regulador y sométalo a revisión antes de volver a utilizarlo.

ALMACENAMIENTO

1. Almacene el cilindro de gas LP en un exterior en un lugar bien ventilado.
2. No almacene el cilindro de gas LP directamente al sol, ni cerca de una fuente de calor o combustión.
3. No guarde un cilindro de gas LP de repuesto en el gabinete. Los cilindros desconectados deben estar cubiertos con una tapa que los proteja del polvo y no se deben almacenar en edificios, garajes ni en ninguna otra área cerrada.
4. Manténgalo fuera del alcance de los niños.
5. Cuando el cilindro de gas LP esté conectado a la parrilla, tanto la parrilla como el cilindro de gas deben utilizarse en el exterior, en un lugar bien ventilado.

OPERACIÓN

1. Nunca conecte su parrilla a gas a un cilindro de gas LP sin el regulador suministrado y **NUNCA LA CONECTE A UNA FUENTE DE GAS LP SIN REGULADOR**. Debe emplearse el regulador suministrado con la parrilla.
2. **Siempre** compruebe que no haya fugas en la conexión entre el cilindro de gas LP y el regulador cuando conecte el cilindro de gas LP al artefacto. Ver "Prueba de fugas" (página 57).
3. **No** utilice el artefacto si hay olor a gas LP. Apague todas las llamas y determine la fuente de la fuga del gas LP antes de continuar. No encienda el artefacto hasta que haya encontrado y sellado la fuga de gas LP.
4. **Siempre** cierre la válvula del cilindro de gas LP cuando no esté usando el artefacto.

1. Las parrillas a gas LP están equipadas con una manguera y un regulador con un Acoplamiento de cierre rápido QCC®-1.
2. El acoplamiento QCC®-1 contiene un Dispositivo limitador de flujo que limitará el flujo de gas si se presentara una fuga entre el regulador y la válvula del artefacto. Este dispositivo se activará si se abre la válvula del cilindro mientras están abiertas las válvulas del artefacto. **Asegúrese de que las válvulas del artefacto estén cerradas antes de abrir la válvula del cilindro para evitar que se active por accidente.**
3. El acoplamiento QCC® incorpora una manivela sensible al calor que hará que se cierre el módulo trasero de control de la válvula del cilindro QCC® cuando se exponga a temperaturas entre los 240 y 300 °F. Cuando ocurra esto, no intente volver a conectar la manivela. Saque el conjunto de la manguera/regulador y reemplácelo por uno nuevo.
4. El regulador de presión está calibrado para 11 pulgadas de columna de agua y únicamente debe utilizarse con gas LP. Los acoples entre manguera y manguera cumplen con la Norma CGA CAN 1.83. No se debe realizar ninguna modificación ni sustitución.
5. Proteja la manguera contra el goteo de grasa y no permita que haga contacto con ninguna superficie caliente, incluyendo la base fundida de la parrilla.
6. Inspeccione el sello de la válvula del cilindro QCC® cuando reemplace el cilindro de gas LP o una vez al año, lo que ocurra con más frecuencia. Reemplace el sello si hay algún indicio de rajaduras, marcas o abrasión.
7. Inspeccione la manguera antes de cada uso. Si la manguera está partida, cortada, desgastada o dañada de cualquier otro modo, **no** debe utilizar el artefacto.
8. Para reparaciones o reemplazos del conjunto manguera/regulador, póngase en contacto con nuestro servicio de atención al cliente.

CONEXIÓN

1. Asegúrese de que la válvula del cilindro de gas LP y las válvulas del artefacto estén cerradas
2. Coloque el cilindro de gas LP lleno en su lugar y asegure la base de acuerdo con las instrucciones de montaje.
3. Centre la boquilla de la válvula del cilindro de gas LP y sujétela en su lugar. Con la otra mano, haga girar la manivela en sentido horario hasta que no pueda seguir girándola. Centre la boquilla de la válvula del cilindro de gas LP y sujétela en su lugar. Con la otra mano, haga girar la manivela en sentido horario hasta que no pueda seguir girándola. No utilice herramientas. Ajuste con la mano únicamente. Cuando establezca la conexión, sostenga el regulador bien alineado con la válvula del cilindro de gas LP, para que no se crucen las roscas de la conexión.
4. Compruebe que no haya fugas en las conexiones. Ver "Prueba de fugas" (Página 57).
5. Consulte las instrucciones de encendido. **Para evitar que se active el dispositivo limitador de flujo cuando encienda el artefacto, abra lentamente la válvula del cilindro de gas LP con las válvulas del artefacto cerradas.** Si el Dispositivo limitador de flujo se activa por accidente, cierre la válvula del cilindro LP y luego lleve todos los quemadores a la posición de OFF. Desconecte el regulador del cilindro. Espere dos minutos. Vuelva a conectar el regulador al cilindro. Abra lentamente la válvula del cilindro. Espere un minuto. Encienda la parrilla según se indica en "Encendido" (página 59).

DESCONEXIÓN

Siempre cierre la válvula del cilindro de gas LP y remueva la tuerca de acople antes de mover el cilindro de gas LP de la posición de funcionamiento especificada.

PRUEBA DE FUGAS

Todas las conexiones de fábrica se prueban cuidadosamente para detectar fugas de gas. Sin embargo, durante su transporte y manejo puede aflojarse algún acople.

COMO PRECAUCIÓN DE SEGURIDAD:

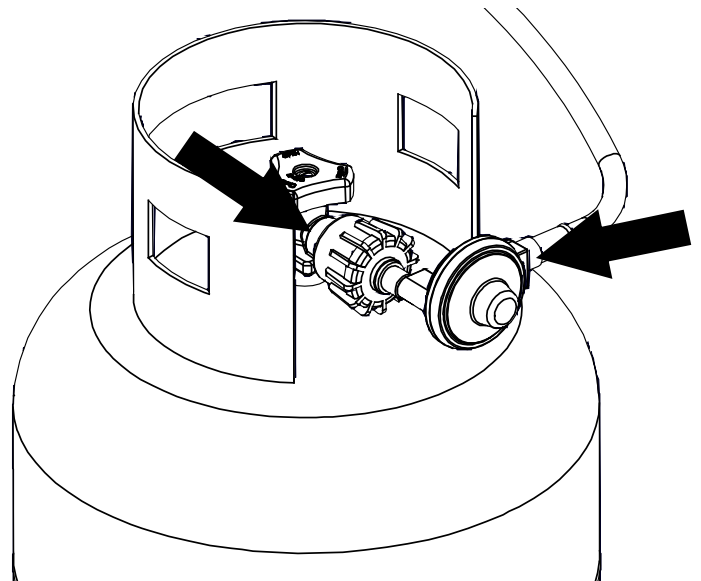
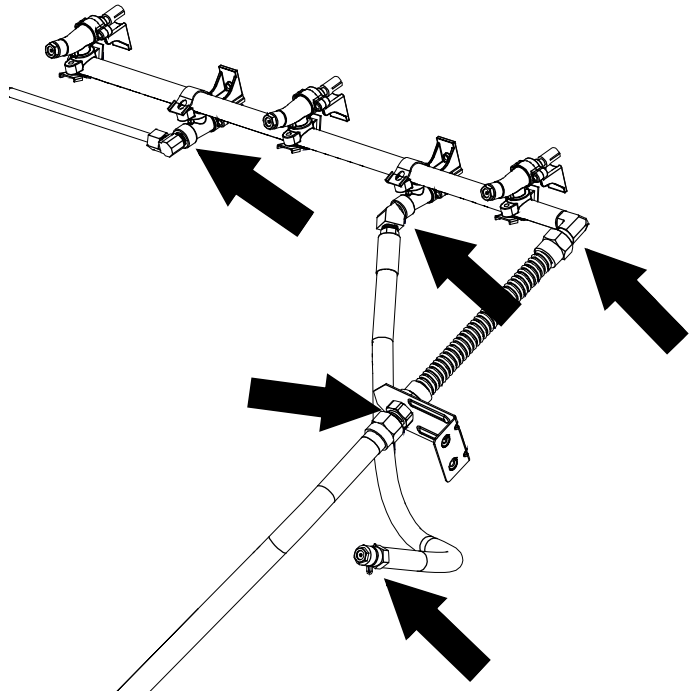
- Compruebe todos los acoples para detectar si hay fugas antes de utilizar su parrilla a gas
- Verifique que no hayan fugas cada vez que desconecte o reconecte un acople de gas, por lo menos una vez al año o luego de un tiempo de no usarla
- No fume mientras realiza las pruebas
- Nunca compruebe si hay una fuga con un fósforo encendido o una llama expuesta.
- Realice las pruebas en el exterior

PARA COMPROBAR SI HAY FUGAS:

1. Prepare una solución jabonosa con una parte de agua y otra parte de detergente líquido.
2. Apague cualquier llama expuesta o cigarrillo que haya en el área.
3. Asegúrese de que las válvulas de la parrilla a gas estén cerradas
4. Asegúrese de que la válvula del cilindro o las válvulas del suministro de gas estén cerradas
5. Con un cilindro de gas lleno, abra lentamente la válvula del cilindro. O abra la válvula del suministro de gas.
6. Unte cada conexión con la solución de agua jabonosa.
7. Las fugas pueden identificarse mediante la formación de burbujas en el área de la fuga.
8. Si se detecta una fuga, cierre la válvula del cilindro de gas o del suministro de gas, ajuste la conexión y vuelva a realizar la comprobación.
9. Si la fuga continúa, contacte a su proveedor de la parrilla de gas para obtener ayuda. No intente utilizar la parrilla si hay una fuga.

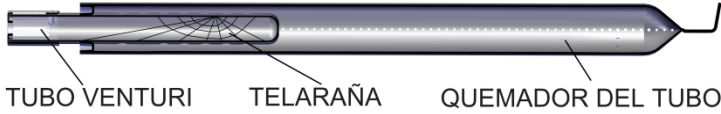
Si su parrilla a gas está equipada con un quemador lateral o posterior:

1. Siga los pasos anteriores del 1 y 5
2. Coloque la yema del dedo sobre la apertura del orificio en el extremo de la manguera.
3. Gire el control "SIDE"/"REAR" hasta "HIGH".
4. Unte solución jabonosa en cada conexión entre el orificio y la válvula de control.
5. Haga girar el control "SIDE"/"REAR" hasta "OFF".



TUBOS VENTURI

- Siempre mantenga limpios los tubos Venturi
- Las obstrucciones en los tubos Venturi provocadas por arañas, insectos y nidos pueden desencadenar retornos de llamas
- Aunque la parrilla a gas aún se pueda encender, el gas retenido puede encenderse y causar llamaradas alrededor de los tubos Venturi en el panel de control o en el quemador lateral



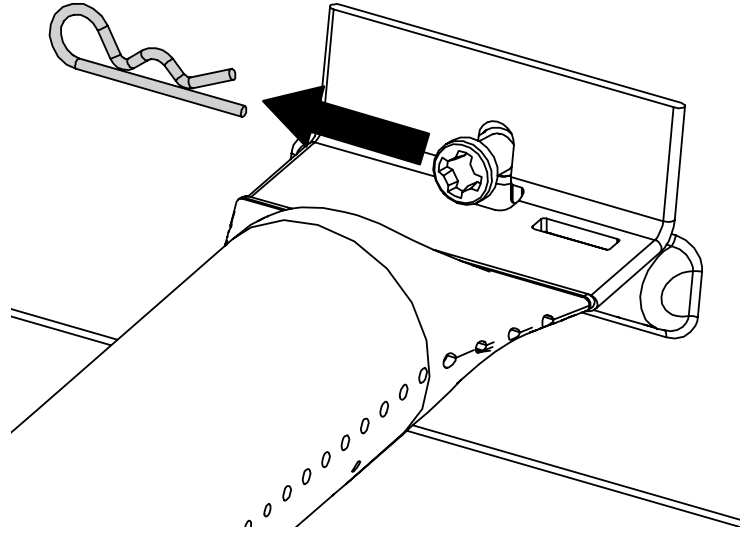
Si se produce un retorno de llamas, corte el suministro de la fuente de gas inmediatamente.

Revise y limpie los tubos Venturi (quemador principal, quemador lateral, quemador posterior) si se presenta cualquiera de las siguientes señales:

1. Siente olor a gas.
2. Su parrilla a gas no gana temperatura.
3. Su parrilla se calienta de manera irregular.
4. Los quemadores emiten chasquidos.

INSPECCIÓN Y LIMPIEZA DE LOS TUBOS VENTURI

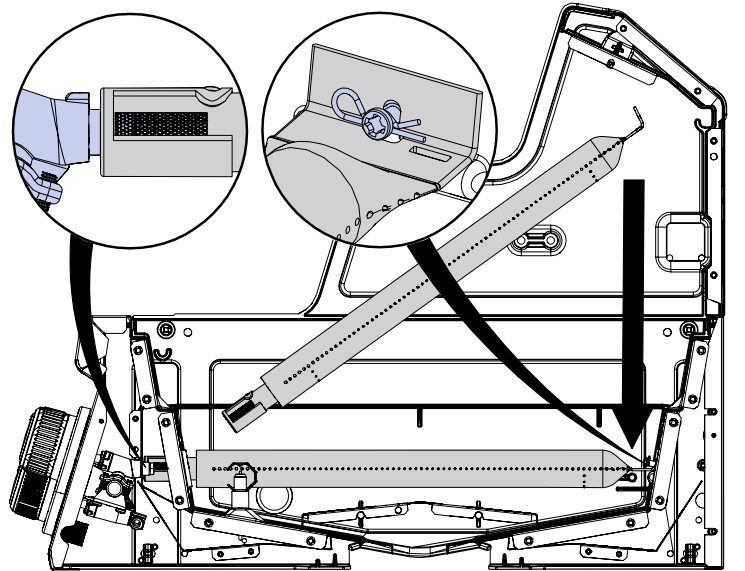
1. Asegúrese de que la válvula del cilindro o las válvulas del suministro de gas estén cerradas.
2. Cuando se enfríe la parrilla, saque los sujetadores del quemador y la parte superior de la caja recolectora. Saque los quemadores de la armazón de la parrilla a gas.



3. Limpie los tubos Venturi con un limpiador de tubos o con una herramienta de limpieza Venturi (Accesorio #77310 o #18270).



4. Vuelva a bajar el quemador hasta su ubicación en la caja de la parrilla a gas, asegurándose de que los tubos Venturi estén correctamente alineados y acoplados en los orificios.

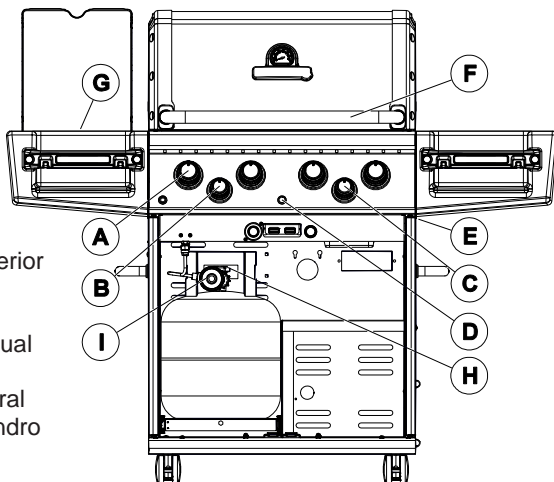


5. Asegure los quemadores con sus sujetadores correspondientes. Vuelva a colocar en su lugar la cubierta de la caja recolectora

ENCENDIDO

COMPONENTES BÁSICOS DE LA PARRILLA A GAS

- A. Controles del quemador principal
- B. Control del quemador lateral
- C. Controles del quemador posterior
- D. Encendedor
- E. Orificio para encendido manual
- F. Mango
- G. Quemador lateral
- H. Válvula del cilindro
- I. Regulador



INSTRUCCIONES DE ENCENDIDO

- La parrilla debe armarse e instalarse de acuerdo con las instrucciones de montaje e instalación.
 - Asegúrese de que el cilindro LP esté lleno y correctamente conectado al regulador. Ver: "Manguera y regulador". (Página 32)
 - Asegúrese de que no haya fugas de gas en el sistema de suministro de gas. Ver: "Prueba de fugas". (Página 33)
 - Asegúrese de que los tubos Venturi estén correctamente colocados sobre los orificios de la válvula de gas. Vea el diagrama de Venturi. (Página 34)
 - Asegúrese de que los cables de encendido del quemador principal, del quemador lateral y del quemador posterior estén conectados
 - Compruebe que se haya instalado la batería en el encendedor electrónico.
 - Revise cuidadosamente todas las instrucciones que aparecen en la placa de información que viene colocada en la parrilla a gas.
1. **Abra la tapa antes de encenderla**
 2. **No se incline sobre la parrilla a gas al encenderla.**
 3. Lleve las perillas de control hasta "OFF" y abra el suministro de gas.

ENCENDIDO DEL QUEMADOR PRINCIPAL:

Para encender el quemador con el encendedor:

4. Use el soporte para fósforos y acerque el fósforo encendido al puerto del quemador
5. Mantenga presionado el encendedor.
6. El quemador debe encenderse en unos 5 segundos; si no se enciende en ese período de tiempo, cierre el suministro de la fuente de gas inmediatamente.

Para encender el quemador con un fósforo:

4. Use the match holder and, apply lit match to burner port.
5. Presione y gire a la derecha la perilla de control del quemador principal hacia "HIGH"
6. El quemador debe encenderse en unos 5 segundos; si no se enciende en ese período de tiempo, cierre el suministro de la fuente de gas inmediatamente.
7. Cuando se haya encendido el primer quemador, presione y gire la perilla adyacente de control del quemador principal hasta "HIGH" y luego vuelva a repetir la operación con los otros quemadores. Estos quemadores deben encenderse automáticamente sin el encendedor.

Nota: Si hay viento, encienda cada quemador individualmente.

ENCENDIDO DEL QUEMADOR LATERAL:

Para encender el quemador con el encendedor:

4. Presione y gire la perilla de control del quemador lateral hacia "HIGH"
5. Mantenga presionado el botón del encendedor.
6. El quemador debe encenderse en unos 5 segundos.

Para encender el quemador con un fósforo:

4. Acerque el fósforo encendido a los puertos del quemador.
5. Presione hacia adentro la perilla de control del quemador lateral y gírela hacia "HIGH"
6. El quemador debe encenderse en unos 5 segundos.

Nota: Las ollas que se coloquen en el quemador lateral no deben sobrepasar las 9 pulgadas (23 cm) de diámetro ni las 15 libras (7 kg) de peso.

ENCENDIDO DEL QUEMADOR POSTERIOR PARA ROSTIZAR:

Advertencia: no haga funcionar el quemador principal y el quemador posterior al mismo tiempo.

• SAQUE EL ESTANTE PARA CALENTAR

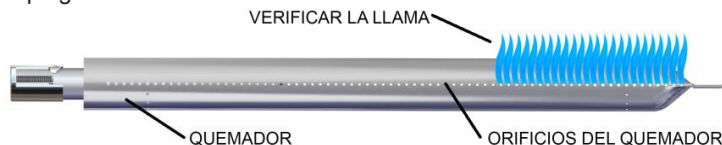
Para encender el quemador con el encendedor:

4. Presione y gire la perilla de control del quemador posterior hacia "HIGH"
5. Mantenga presionado el botón del encendedor.
6. El quemador debe encenderse en unos 5 segundos.

Para encender el quemador con un fósforo:

4. Acerque el fósforo encendido a los puertos del quemador.
5. Presione hacia adentro la perilla de control del quemador posterior y gírela hacia "HIGH".
6. El quemador debe encenderse en unos 5 segundos.

CUIDADO - Revise su parrilla a gas antes de encenderla. Todos los puertos de los quemadores deben mostrar una llama de 2,5 cm / 1 pulgada en "ALTA".



Si se presenta cualquiera de los siguientes síntomas, significa que probablemente hay un atasco en los tubos Venturi. Cierre inmediatamente el suministro de gas y limpie los tubos Venturi. Ver "Tubos Venturi" (Página 58).

- Siente olor a gas
- Se produce un retorno de llamas
- Su parrilla se calienta de manera irregular

Los quemadores emiten chasquidos.

SI EL QUEMADOR NO SE ENCIENDE:

- Presione y gire la perilla de control hacia "OFF". Espere 5 minutos y vuelva a intentarlo con la perilla de control en "MEDIUM"
- Si no se enciende ningún quemador, consulte "Diagnóstico de problemas" en la página 41. Si el problema persiste, no intente utilizar el artefacto; póngase en contacto con BROIL KING®, con su proveedor o con un centro de servicios autorizado.

APAGADO:

1. Cierre la válvula del cilindro.
2. Gire las perillas de control hacia "OFF".

OPERACIÓN

ADVERTENCIA

NUNCA cubra ranuras, orificios o conductos en el frente o en la parte de abajo de la parrilla, ni cubra completamente un estante con material como papel de aluminio. Eso impediría el flujo de aire a través de la parrilla y podría causar sobrecalentamiento o envenenamiento con monóxido de carbono.

Uso por primera vez

Antes de cocinar por primera vez en su parrilla a gas, limpie los componentes y precalíentela para deshacerse de cualquier olor o materiales extraños de la siguiente forma:

- Remueva y limpie las rejillas de cocción y las Flav-R-Waves™ con jabón suave y agua
- Con las rejillas de cocción y las Flav-R-Waves™ removidas, encienda la parrilla a gas siguiendo las instrucciones de encendido (ver página 59) y déjela funcionar en "Med" durante 30 minutos. A continuación, cierre el suministro de la fuente de gas y haga girar todas las perillas de control a la posición de "OFF"
- Deje que se enfríe la parrilla, luego coloque las Flav-R-Waves™
- Acondicione las rejillas de cocción recubriéndolas en aceite de cocina orgánico procesado en frío y con un alto grado de humo, encienda la parrilla y hágala funcionar en Med/Low durante 30 minutos
- Aceites de cocina recomendados:
 - Aceite de aguacate – punto de humo (260C/500F)
 - Aceite de salvado de arroz – punto de humo (255C/490F)
 - Aceite de canola – punto de humo (204C/400F)
- Ahora está listo para usar la parrilla. Proceda a realizar el "Precalentamiento"

Precalentamiento

- **Precaliente la parrilla a gas en MED** con la tapa cerrada durante 15 minutos
- Limpie las rejillas frías con un cepillo de nailon (artículo # 65643) o las rejillas calientes con un cepillo de cerdas de acero inoxidable (artículo # 65225, 64014, 64034) e inspeccione cuidadosamente la rejilla para verificar que no hayan quedado cerdas rotas en la misma
- Recubra las rejillas con un aceite de cocina de alto punto de humo
- Ajuste la temperatura hasta un punto adecuado para lo que vaya a cocinar

Posición de la tapa

La posición de la tapa durante la cocción es una cuestión de preferencia personal, pero la parrilla a gas cocina más rápido, consume menos combustible y controla mejor la temperatura cuando la tapa está cerrada.

Mantener la tapa cerrada también le infunde a la carne asada directamente sobre la rejilla un sabor más ahumado, y es esencial para asados ahumados o por convección.

Sistemas de vaporización

Su parrilla a gas está diseñada para utilizarse con el sistema de vaporización Flav-R-Wave™ suministrado con la misma. No utilice rocas de lava, briquetas cerámicas ni ningún otro sistema de vaporización que no sea el que se suministró con la parrilla a gas.

TEMPERATURAS DE COCCIÓN

Las parrillas a gas BROIL KING® son:

- Artefactos de alto rendimiento, capaces de brindar altas temperaturas para dorar
- Diseñadas con flujo de aire controlado para retener el calor y minimizar el consumo de combustible

En raras ocasiones, por no decir nunca, necesitará usar el ajuste HIGH para cocciones prolongadas o precalentamiento.

Ajuste High (alto)

Produce temperaturas en la rejilla de cocción de aproximadamente 700 °F (370 °C) con la tapa cerrada.

Use el ajuste alto solamente:

- Para calentamiento rápido
- En condiciones de mucho frío o viento, al cocinar con la tapa abierta
- Para dorar rápidamente filetes antes de reducir la temperatura
- Para quemar los restos de comida de las rejillas de cocción y las Flav-r-wave antes de limpiarlas (máximo 10 minutos)

Med/High

Produce temperaturas en la rejilla de cocción de aproximadamente 600 °F (320 °C) con la tapa cerrada.

Use el ajuste med/high para:

- Precalentar la parrilla para filetes
- Cocinar filetes jugosos o a término medio

Med

Produce temperaturas en la rejilla de cocción de aproximadamente 450 °F (230 °C) con la tapa cerrada.

Use el ajuste med para:

- Cocinar filetes a término medio o un poco más cocidos
- Cocinar chuletas, hamburguesas y verduras

Med/Low

Produce temperaturas en la rejilla de cocción de aproximadamente 400 °F (200 °C) con la tapa cerrada.

Use el ajuste med/low para:

- Cocinar trozos de pollo, salchichas, pescado
- Rostizar, hornear
- Cocinar masa y bocadillos como quesadillas

Low

Produce temperaturas en la rejilla de cocción de aproximadamente 310 - 550 °F (155 - 175 °C) con la tapa cerrada.

Use el ajuste low para:

- Rostizar y ahumar lentamente cortes grandes de carne, pescado delicado y para masa y bocadillos

Las temperaturas son solo aproximadas y varían de acuerdo con la temperatura externa y con la cantidad de viento.

TÉCNICAS DE COCCIÓN

ASADO DIRECTO

El método de asado directo consiste en cocinar la comida en las rejillas directamente sobre un quemador encendido. El asado directo es el método más popular para cocinar alimentos de una sola pieza, como filetes, chuletas, pescado, hamburguesas, brochetas y verduras.

1. Prepare los alimentos de antemano para evitar demoras y problemas de tiempo. Si utiliza adobo o especias, debe añadirlos a la carne antes de colocarla en la rejilla de cocción. Si va a adobar con salsas, añádalas en los últimos 2-4 minutos del asado para evitar que se quemen.
2. Organice el área alrededor de la parrilla a gas de manera tal que tenga a mano pinches, pinzas, guantes para horno, salsas y condimentos, a fin de poder permanecer junto a la parrilla mientras está cocinando.
3. Antes de comenzar a asar, deje que la carne tome la temperatura ambiente. Elimine el exceso de grasa de la carne para minimizar las "llamaradas" que se producen cuando esta comienza a gotear.
4. Precaliente la parrilla a gas hasta la temperatura deseada con la cubierta cerrada.
5. Cubra las rejillas con aceite vegetal o de oliva para evitar que los alimentos se peguen a las rejillas.
6. Evite añadir sal cuando cocine carnes en la parrilla a gas. La carne se mantendrá más jugosa si añade la sal después de cocinada.
7. Para evitar que los filetes "se resequen", utilice pinzas en lugar de un tenedor y comience en temperatura "MED/HIGH" para dorar la carne y sellar los jugos dentro de esta. Reduzca la temperatura y extienda el tiempo de cocción cuando ase trozos de carne más gruesos.
8. Aprenda a probar cuándo la carne está lista por el tiempo transcurrido y por su consistencia. La carne se vuelve más firme a medida que se cocina. Cuando la carne está blanda, está cruda. Cuando está firme, está bien cocida.
9. Siga la guía para el asado perfecto de filetes con la mayoría de las carnes, pescados, aves y verduras.

GUÍA DE ASADO DIRECTO				
	1" DE ESPESOR	TEMPERATURA	TIEMPO POR CADA LADO	TIEMPO TOTAL
POLLO	MEDIO / BIEN HECHO	MED / LOW	4 / 4 / 4 / 4	16
ALAS DE POLLO	MEDIO / BIEN HECHO	MED / LOW	5 / 5 / 5 / 5	20
HAMBURGUESAS	MEDIO	MED / LOW	3 / 3 / 3 / 3	12
HAMBURGUESAS CONGELADAS DE 3/4"	MEDIO	MED / LOW	3 / 3 / 3 / 3	12
FILETE DE PESCADO	MEDIO	MED	2 / 2 / 2 / 2	8 - 10
COLAS DE LANGOSTA CORTADAS	MEDIO	MED	4 / 4 / 4 / 4	16 - 20

UTILICE LA MISMA TÉCNICA DE LA GUÍA DE ASADO PERFECTO DE FILETES

GUÍA PARA ASAR EL FILETE PERFECTO

COLOQUE EL FILETE EN ÁNGULO SOBRE LA PARRILLA CALIENTE. **2 min.**

DELO VUELTA COMO SE INDICA A CONTINUACIÓN. **2 min.**

VUELVA A DAR VUELTA Y A ROTAR EL FILETE. **2 min.**

VUELVA A DAR VUELTA EL FILETE UNA VEZ MÁS. **2 min.**

Espesor de la carne		Ajuste de Calor	Tiempo por cada lado				Tiempo total
1½"	1"		A	B	C	D	
	Poco hecho	Alto	1¼	1¾	1¾	1¾	7 minutos
	Jugoso	Medio/Alto	2	2	2	2	8 minutos
	Jugoso	Medio	2½	2½	2½	2½	9 minutos
	Mediano	Mediano	2½	2½	2½	2½	10 minutos
	Bien hecho	Mediano	3	3	3	3	12 minutos

TÉCNICAS DE COCCIÓN

COCCIÓN POR CONVECCIÓN INDIRECTA

Este método es ideal para cocinar trozos grandes de carne como asados o aves. Los alimentos se cocinan con el aire caliente que circula a su alrededor.

- Para la mayoría de las aplicaciones de cocción por convección y sin rostizador, se recomienda utilizar una bandeja colectora para que el goteo caiga dentro de ella. Coloque la bandeja colectora sobre el Flav-R-Wave, debajo de los alimentos hacia el centro. Coloque entre media y una pulgada de agua en la bandeja colectora. También puede añadir jugo de frutas, vino o adobo para realzar el sabor. No deje que la bandeja colectora se quede sin líquido
- La cocción por convección sin un rostizador es mejor con la cubierta cerrada y temperatura baja. Todos los quemadores pueden ajustarse en baja o los quemadores externos pueden ajustarse a media y el/los quemador(es) del centro pueden apagarse. Apagar el quemador central evitará que ardan los jugos de la bandeja colectora
- Antes de colocar la carne en la parrilla a gas, recubra la carne con aceite vegetal. Así logrará dorar mejor la parte externa de la carne
- Cuando cocine sin bandeja colectora (algo que no es recomendable) debe poner mucha atención para evitar el riesgo de que se incendie la grasa
- Apague la parrilla a gas y deje que se enfríe antes de sacar la bandeja colectora. La grasa que gotea es muy inflamable y debe manejarse con cuidado para evitar heridas
- Para cocinar asados y carne de ave por convección sin un rostizador, coloque la carne en una parrilla asadora directamente sobre las rejillas

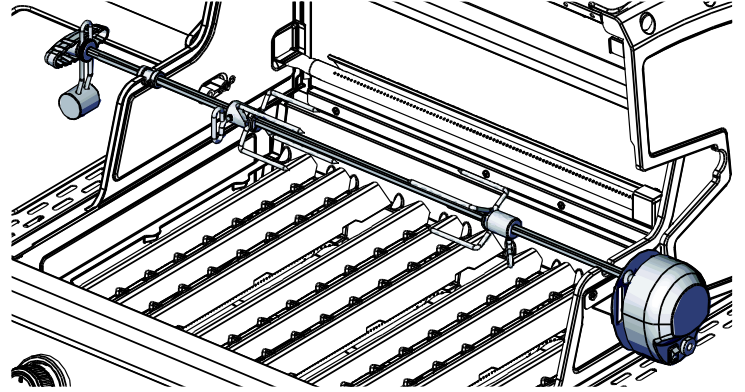
GUÍA DE COCCIÓN POR CONVECCIÓN INDIRECTA Y ROSTIZADO

ASADO DE RES	3 - 6 Lb.	MED / LOW	2 - 4 HRS
ASADO DE RES	6 - 10 Lb.	MED / LOW	3 - 5 HRS
ASADO DE CERDO	2 - 5 Lb.	MED / LOW	2 - 4 HRS
ASADO DE CERDO	6 - 10 Lb.	MED / LOW	3 - 5 HRS
PAVO O POLLO	2 - 5 Lb.	MED / LOW	2 - 4 HRS
PAVO O POLLO	5 - 10 Lb.	MED / LOW	3 - 5 HRS

CUANDO UTILICE UN QUEMADOR PARA ROSTIZAR, SELECCIONE LA TEMPERATURA MED / HIGH

ROSTIZADO

Siga los pasos de cocción por convección indirecta. (Ver a la izquierda)



- El rostizador tiene capacidad para hasta 7 kg (15 lb) de carne con el factor limitante del espacio necesario para hacerla girar. Para obtener los mejores resultados, la carne debe centrarse en la línea central de la barra para eliminar desbalances
- El rostizador puede utilizarse con las rejillas de cocción en su lugar si el espacio lo permite
- Sujete firmemente la carne a la barra antes de colocarla en la parrilla a gas. Cuando ase aves, asegure bien las alas y los muslos

QUEMADOR POSTERIOR PARA ROSTIZAR

- Algunos modelos vienen con un quemador posterior para rostizar. El método de rostizado con un quemador posterior es el mejor para cocinar asados y carne de aves. La fuente de calor queda situada detrás de la carne, con lo cual no hay riesgo de llamaradas causadas por el goteo de la grasa. Un plato o bandeja colectora situada debajo de la barra servirá para coleccionar los jugos para adobar o para preparar una salsa
- El quemador posterior cargado por resorte puede sacarse fácilmente cuando no se está usando
- Para saber cómo operar su quemador posterior, vea "Encendido del quemador posterior" (Página 59)

GUÍA DE TEMPERATURA DE LAS CARNES

	POCO HECHA	MEDIANA	BIEN HECHA
RES / CORDERO / TERNERA	130°F / 55°C	146°F / 63°C	160°F / 70°C
CERDO		150°F / 65°C	170°F / 77°C
AVES			170°F / 77°C
HAMBURGUESAS			160°F / 70°C

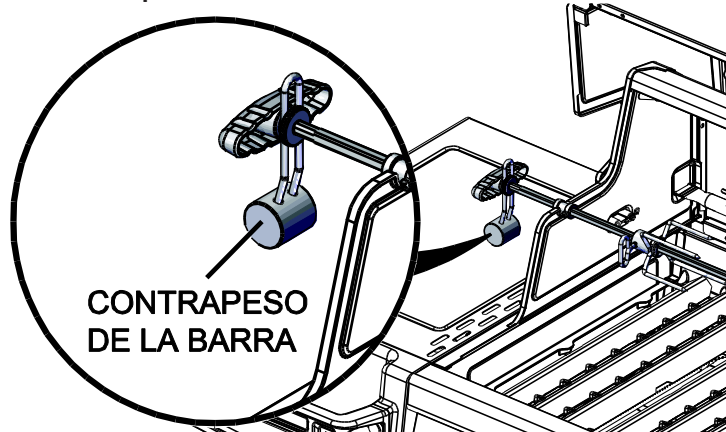
PARA OBTENER LOS MEJORES RESULTADOS, UTILICE UN TERMÓMETRO PARA CARNES

TÉCNICAS DE COCCIÓN

CONTRAPESO DE LA BARRA

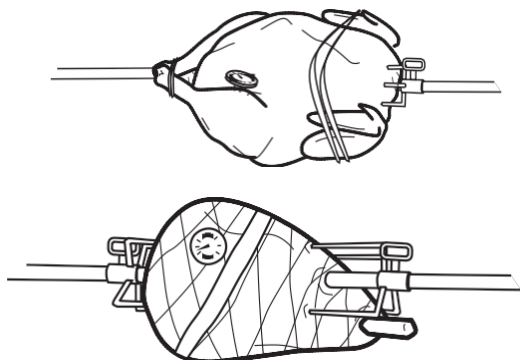
1. Afloje el mango de la barra para que el balanceador pueda girar libremente.
2. Coloque la barra rostizadora en las ranuras de caja de la parrilla a gas. Deje que el lado más pesado de la carne rote hacia abajo.
3. Ajuste el balanceador a la parte superior de la barra, en el lugar opuesto al lado más pesado de la carne.
4. Ajuste el mango de la barra. Verifique periódicamente que la carne rote suavemente mientras se cocina. Ajuste el contrapeso de ser necesario.

CUIDADO: Utilice guantes para horno cuando ajuste el contrapeso de la barra.



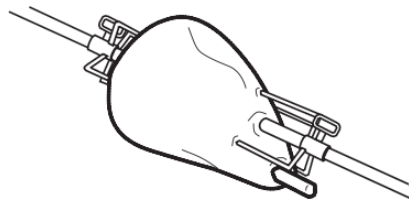
CÓMO UTILIZAR UN TERMÓMETRO DE SONDA

1. La forma precisa de determinar cuándo un trozo de carne grande está hecho es utilizar un termómetro de sonda. Inserte el termómetro inclinado de manera tal que la punta resistente de metal llegue a hacer contacto con el centro de la parte más gruesa de la carne. **Tenga cuidado de que no toque ni la barra ni el hueso, y de que la punta no esté en contacto con la grasa (sentirá mucho menos resistencia cuando sondee un área de grasa).**



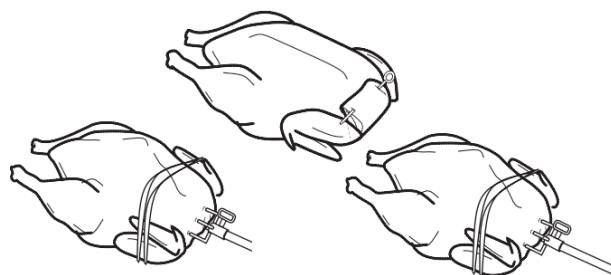
2. Cuando el termómetro muestre la temperatura deseada, la carne está lista. Añada sus salsas durante los últimos minutos de cocción y deje que la carne repose unos 15 minutos para que gane firmeza. Corte y sirva.
- Carne de ave: inserte la punta del termómetro en la parte más gruesa del muslo cerca del cuerpo
 - Jamón o asados: inserte la punta del termómetro en el centro de la sección más pesada de la carne

CÓMO USAR UNA BARRA - PIERNA DE CORDERO



1. Corte 3 pulgadas del hueso en el extremo pequeño de la pierna.
2. Deje carne alrededor del hueso para formar un pliegue.
3. Coloque un pinche en la barra.
4. Doble el pliegue hacia arriba y pase la barra a través del mismo y de la pierna.
5. Coloque el segundo pinche en la barra y clave los pinches en ambos extremos de la pierna. Verifique que quede balanceada. Ajuste los tornillos.

CÓMO USAR UNA BARRA - CARNE DE AVE



1. Con la pechuga hacia abajo, tire de la piel hacia arriba sobre la cavidad.
2. Gire los extremos inferiores de la piel, coloque el pinche en la piel de la parte de atrás.
3. Enrolle el hilo alrededor del pinche y átelo.
4. Gire la pechuga hacia arriba, ate o pinche las alas al cuerpo.
5. Coloque un pinche en la barra. Inserte la barra en la piel del cuello, paralela a la columna vertebral, haciendo que salga por encima de la cola.
6. Coloque el segundo pinche en la barra y clave los pinches en la pechuga y la cola. Verifique que quede balanceada. Ajuste los tornillos.
7. Ate la cola a la barra con hilo. Cruce los muslos y átelos a la cola.

TRES POLLOS EN UNA BARRA



1. Ate o pinche las alas al cuerpo.
2. Coloque un pinche en la barra. Coloque los pollos en la barra como se muestra en el diagrama anterior.
3. Enrolle el hilo alrededor de las colas y los muslos y átelo a la barra.
4. Coloque el segundo pinche en la barra y clave los pinches en los pollos. Ajuste los tornillos.

MANTENIMIENTO

MANTENIMIENTO REGULAR

Para garantizar un funcionamiento óptimo y seguridad, deben inspeccionar y limpiar los siguientes componentes tal como es necesario antes de usar su barbacoa de gas.

REJILLAS DE COCINA – HIERRO FUNDIDO, ACERO INOXIDABLE FUNDIDO & VARILLAS PESADAS INOXIDABLES

Las rejillas BROIL KING® Deep V de hierro fundido y de acero inoxidable fundido proporcionan una retención de calor sin igual y un gran rendimiento en la parrilla.

Las rejillas BROIL KING® Heavy Rod de acero inoxidable proporcionan la máxima duración y una buena retención de calor y un buen rendimiento en la parrilla.

La rejillas BROIL KING® de hierro fundido tienen un revestimiento de porcelana con un acabado esmaltado para proteger las rejillas y reducir la tendencia de la comida a quedarse pegada a las rejillas. El uso regular y su cuidado mejoran el rendimiento y la vida útil de las rejillas.

Para un rendimiento óptimo:

- Antes de usarlas por primera vez y después de periodos largos guardadas, lávelas con un detergente ligero y agua y luego enjuáguelas y séquelas con papel, nunca deje que se sequen al aire o las meta en el lavaplatos
- Inmediatamente después de lavarlas, sazone las rejillas untándolas con un aceite orgánico prensado en frío, con un punto elevado de ahumado, encienda la parrilla y póngalo en funcionamiento a Medio/Bajo durante 30 minutos. Aceites recomendados:
 - Aceite de aguacate – punto de ahumado (260C/500F)
 - Aceite de salvado de arroz – punto de ahumado (255C/490F)
 - Aceite de colza – punto de ahumado (204C/400F)
- Antes y después de usarlas, cepille las rejillas con un cepillo de cerdas de buena calidad (Artículo #s 65225, 64014, 64034) y úntelas ligeramente con un aceite de cocina con un punto de ahumado elevado. Eso hará que continúe el proceso de sazonado
- **Ajuste el calor a potencia media para precalentar y asar para evitar quemar el sazonado protector**
- Evite aplicar marinados a base de azúcar o sal a la carne antes de asar, aplíquelas al final de asar y añada la sal después de asar
- use marinados a base de aceite, evite marinados a base de agua
- unte la comida con aceite de su elección antes de asar
- gire las rejillas periódicamente
- asegúrese de que la superficie de que la rejilla este siempre untada con una ligera capa de aceite. Eso ayuda a impedir que se oxide y deteriore y mejora el rendimiento antiadherente de la rejilla
- si se oxida, aplique llama a la rejilla, cepíllela con un cepillo de cerdas de buena calidad y vuélvala a sazonar

Las rejillas deberían **sazonarse** después de largos periodos de inactividad y luego guardadas en un lugar seco. Pueden envolverse en un plástico de cocina protector. Después de tiempo de estar guardadas, páselas por el fuego, lávelas, séquelas con papel y vuélvalas a sazonar con aceite de cocina con un punto fuerte de ahumado.

ADVERTENCIA:

Si cepilla las rejillas con un cepillo para parrilla de cerdas de acero inoxidable.

- **Si la parrilla está caliente, tenga cuidado y utilice guantes de hornear para protegerse las manos.**
- **Inspeccione cuidadosamente las rejillas después de cepillarlas para verificar que no hayan quedado cerdas de acero inoxidable rotas en las rejillas.**

BANDEJA PARA LA GRASA

La bandeja para la grasa está en el cajón debajo del panel de control. Límpiela regularmente.

FLAV-R-WAVE™

Flav-R-Wave está diseñado para generar humo y vapor desde las gotas que caen de la comida, para proporcionar un auténtico sabor a barbacoa, a la vez que protege el quemador. Si se acumulan residuos en el Flav-R-Wave™, retire las rejillas de cocción y rasque los residuos del Flav-R-Wave™ con el elevador de rejillas. (Parte # 60745)

LIMPIEZA GENERAL

Efectúe una cocción sin comida (véase más abajo).

Cuando la parrilla este fría, quite los restos, rasque el Flav-R-Wave™, limpie con el elevador de rejillas y luego saque los Flav-R-Waves.

Limpie el interior de la parrilla de gas cuando sea necesario rascando los laterales y el fondo de la caja de cocción con el elevador de rejillas y aspire los residuos.

El óxido es un proceso natural y puede aparecer en las partes internas de acero inoxidable. Eso no afectará al rendimiento de su barbacoa.

ENCIENDA EL FUEGO SIN COMIDA

Encienda los quemadores según “Encendido” (página 30). Haga funcionar la parrilla de gas en posición HIGH con la tapa cerrada, durante 10 minutos como máximo.

Cierre la entrada de gas y luego gire los botones de control a la posición OFF.

MANTENIMIENTO ANUAL

Los componentes descritos a continuación deberían inspeccionarse y limpiarse al menos una vez al año o después de un periodo de almacenamiento de 30 días para garantizar un rendimiento óptimo, seguridad y eficacia.

QUEMADOR

Retire el quemador e inspeccione que no tenga golpes ni deterioro. Limpie los tubos venturi para eliminar cualquier bloqueo. Véase “Tubos Venturi” (Página 29). Mientras el quemador está fuera, quite los protectores de grasa, limpie dentro del cajón de cocción rascando los laterales y la parte inferior de la misma y aspirela.

TUBO

Inspecciónelo y sustitúyalo si es necesario.

COMPONENTES EXTERIORES DE ALUMINIO

Si aparecen manchas blancas de óxido, lave el exterior del cajón de cocción con una solución de agua jabonosa suave. Enjuague las superficies completamente y luego séquelas con un paño empapado en aceite de cocción para restaurar el brillo. Para reparar arañazos en la pintura y arañazos, use un espray de pintura a temperatura ALTA (600°F) de buena calidad para retoques.

COMPONENTES DE ACERO INOXIDABLE & PORCELANA

Lávelos con agua y jabón. Use limpiador para acero inoxidable o “Bar Keepers Friend” para pulir y eliminar manchas de óxido, si hay. El tiempo y el calor extreme pueden hacer que la tapa de acero inoxidable coja un color tostado. Se trata de una decoloración y no se considera un defecto de fabricación.

COMPONENTES DE RESINA Y ESTANTERIAS LATERALES

Lávelos con agua y jabón.

PIEZAS DE REPUESTO

Si se observa un problema con el regulador, tubo, quemador o válvulas de control, no intente repararlos. Visite a su distribuidor o servicio autorizado, o contacte con la empresa para las piezas de repuesto y reparación. Para garantizar un rendimiento óptimo, utilice solamente las piezas de repuesto originales BROIL KING®.

PRUEBA DE FUGAS

Cuando vuelva a conectar una bombona de gas, en los modelos de propano, asegúrese de comprobar que no haya fugas. Véase “Prueba de Fugas.” (Página 29).

DIAGNÓSTICO DE PROBLEMAS

PROBLEMA	CAUSA POSIBLE	ACCIÓN CORRECTIVA
OLOR A GAS	CIERRE DE INMEDIATO LA VÁLVULA DEL CILINDRO LP. NO UTILICE EL ARTEFACTO HASTA QUE NO SE HAYA SELLADO LA FUGA.	
Fuga detectada en el cilindro, en el regulador o en otra conexión.	1. Acople del regulador suelto. 2. Fuga de gas en la manguera/regulador o en las válvulas de control.	1. Apriete el acople y realice una "Prueba de fugas" (página 29) 2. Diríjase a un centro de servicios autorizado.
Llamas debajo del panel de control (retorno de llamas)	1. Tubo Venturi obstruido.	1. Saque el quemador y limpie el tubo Venturi. Ver "Tubos Venturi" (página 29)
Llama parpadeante en el quemador o Temperaturas bajas con el control en ALTA	1. El dispositivo de seguridad contra flujo excesivo se ha activado en la conexión entre el cilindro y la parrilla.	1. Cierre la válvula del cilindro LP y luego lleve todos los quemadores a la posición de APAGADO. Desconecte el regulador del cilindro. Espere dos minutos. Vuelva a conectar el regulador al cilindro. Abra lentamente la válvula del cilindro. Espere un minuto. Encienda la parrilla según se indica en "Encendido" (página 30)
El quemador no enciende	1. Se terminó el gas LP. 2. Problema del encendedor. 3. Se ha activado el dispositivo de seguridad contra flujo excesivo. 4. El regulador no está completamente conectado a la válvula del cilindro. 5. Una fuga en el sistema hace que el dispositivo contra el exceso de flujo se active. 6. Tubo Venturi obstruido o desalineado con respecto al orificio de la válvula. 7. Orificio(s) bloqueado(s). 8. La manguera está doblada.	1. Vuelva a llenar el cilindro de gas LP. 2. Intente encender el quemador manualmente con un fósforo. Ver "Encendido" (página 30). Si el quemador se enciende correctamente, se trata de un problema del encendedor. Ver "El encendedor no funciona" a continuación 3. Siga la solución que aparece más arriba en "Llama parpadeante o Temperaturas bajas con control en ALTA". 4. Ajuste la manivela del regulador. 5. Compruebe si hay fugas en las conexiones para determinar si hay un acople suelto. Apriete el acople. Compruebe que no haya fugas en el sistema. 6. Saque el quemador, limpie el tubo Venturi y vuelva a alinearlos con el orificio de la válvula. Vea la página 29 para obtener ayuda. 7. Saque el quemador, limpie los orificios con un alfiler o con un alambre. No perforo orificios. 8. Enderece la manguera. Manténgala alejada del fondo de la parrilla.
El encendedor no funciona	1. Se agotó la batería del encendedor 2. Cable(s) del encendedor desconectado(s) 3. Electrodo desalineado en el quemador 4. Desperfecto del encendedor	1. Reemplace la batería 2. Asegúrese de que los cables del quemador principal y del quemador lateral estén todos conectados 3. Vuelva a alinear el electrodo y limpie los restos circundantes del área 4. Utilice el procedimiento de "Encendido con fósforo" (página 30)
Disminución del calor, "Chasquido"	1. Se terminó el gas LP. 2. Tubo Venturi obstruido.	1. Vuelva a llenar el cilindro de gas LP. 2. Saque el quemador, limpie el tubo Venturi. Ver "Tubos Venturi" (página 29) para obtener ayuda.
Puntos calientes en la superficie de cocción	1. Tubo Venturi obstruido. 2. Acumulación de residuos en Flav-R-Wave	1. Saque el quemador, limpie el tubo Venturi. Ver "Tubos Venturi" (página 29) para obtener ayuda. 2. Raspar y aspirar el Flav-R-Wave.
"Llamaradas" o grasa incendiada	1. Acumulación excesiva de grasa en el vaporizador o en la caja de cocción de la parrilla a gas. 2. Calor excesivo	1. Raspe bien el Flav-R-Wave y el interior de la caja de cocción y luego aspire los restos. 2. Lleve los controles del quemador a un ajuste inferior
Zumbido del regulador	1. Se abrió demasiado rápido la válvula del cilindro.	1. Abra lentamente la válvula del cilindro.
Llama amarilla	1. Es normal que la llama sea un poco amarilla. Si se torna demasiado amarilla, puede que el tubo Venturi esté obstruido. 2. Puertos del quemador bloqueados.	1. Saque el quemador, limpie el tubo Venturi. Ver "Tubos Venturi" (página 29) para obtener ayuda. 2. Saque el quemador y límpielo con un cepillo de cerdas suaves (por ejemplo, un cepillo de dientes).
El interior de la cubierta parece estar descascarándose	1. Se trata de una acumulación de grasa. El interior de la cubierta no está pintado y no puede descascararse.	1. Límpielo con un cepillo de cerdas duras o con una espátula.
Rejillas de cocción oxidadas	1. Se ha dañado el esmalte de porcelana	1. Vea "Mantenimiento" (página 34) para obtener ayuda
Las luces del panel de control o internas no funcionan	1. La unidad no está conectada al suministro eléctrico. 2. Transformador fallado. 3. Conexiones flojas o corroídas. 4. Foco quemado	1. Conecte el cable GFI de alimentación al artefacto. Enchúfelo en un tomacorriente que funcione. 2. Verifique que haya 12 VCA a la salida del transformador. Reemplácelo si fuera necesario. 3. Limpie las conexiones y verifique que todos los conectores estén bien enchufados. 4. Reemplace los focos.
Si no consigue resolver estas u otras dificultades con el diagnóstico de problemas, visite el sitio de Internet www.omcbbq.com para obtener más información incluyendo videos de diagnóstico de problemas, trucos y consejos, o llame a nuestro servicio de atención al cliente: 1-800-265-2150		

GARANTÍA

La Garantía BROIL KING® es válida a partir de la fecha de compra y está limitada a reparaciones o reemplazos de partes sin costo alguno de componentes defectuosos en condiciones normales de uso doméstico.

En Canadá y Estados Unidos, el reemplazo se realiza FOB en la fábrica.

En todos los demás países, el reemplazo es FOB al distribuidor BROIL KING® (consulte a su proveedor para conocer el nombre del Distribuidor BROIL KING®).

Todos los demás costos son responsabilidad del dueño.

Esta garantía se le otorga únicamente al comprador original como se indica en el registro de garantía y es válida únicamente para productos de venta al por menor y solo cuando tales productos son utilizados exclusivamente por el comprador en el país donde los compró. (Los diferentes tipos de gas utilizados en distintos países requieren válvulas, orificios y reguladores adecuados.)

LO QUE CUBRE

	IMPERIAL REGAL BARON	CROWN SIGNET MONARCH	GEM
COMPONENTES DE ACERO INOXIDABLE Y PORCELANA DE LA TAPA	De por vida	De por vida	10 Años
COMPONENTES DE FUNDICIÓN DE ALUMINIO DE LA CAJA DE COCCIÓN	De por vida	De por vida	10 Años
CAJA DE COCCIÓN DE ACERO INOXIDABLE	De por vida	De por vida	
REJILLAS DE ACERO INOXIDABLE	15 Años	5 Años	
REJILLA DE HIERRO FUNDIDO		2 Años	2 Años
FLAV-R-WAVE™ ACERO INOXIDABLE	15 Años	3 Años	2 Años
QUEMADORES DUAL-TUBE™	15 Años	10 Años	
QUEMADORES TUBE			
QUEMADOR LATERAL	15 Años	2 Años	2 Años
QUEMADOR POSTERIOR	15 Años	10 Años	
QUEMADOR LATERAL INFRARROJOS (EXCLUYENDO PANTALLA)	15 Años	5 Años	
COMPONENTES DEL CARRO DE ACERO INOXIDABLE	15 Años	5 Años	
PARTES RESTANTES Y PINTURA	15 Años	2 Años	2 Años

LO QUE NO ESTÁ CUBIERTO

Cualquier falla o problema de funcionamiento debido a un accidente, uso indebido o incorrecto, alteración, uso para otros fines, vandalismo, instalación incorrecta o mantenimiento o reparación inadecuados, o el incumplimiento del mantenimiento de rutina, incluyendo, pero sin limitarse a, daños causados por insectos dentro de los tubos del quemador, como se especifica en el manual del propietario.

Deterioro o daños debidos a condiciones meteorológicas severas, como granizo, huracanes, terremotos o tornados, decoloración debido a exposición a productos químicos ya sea directamente o en el ambiente.

Costos de envío o transportación

Costos de devolución o reinstalación.

Costo de mano de obra por reinstalación o reparaciones. Costo de llamadas de servicios técnicos. Responsabilidad por daños indirectos o consiguientes.

Parrillas a gas que se consideren de uso colectivo o parrillas a gas que no sean utilizadas ni reciban mantenimiento directamente del comprador.

PARTES DE REPUESTO

Para los reemplazos, siempre debe utilizar "Partes auténticas para Parrillas a gas BROIL KING®". El uso de cualquier otra parte anulará automáticamente la garantía descrita anteriormente.

QUEMADORES

La vida de los quemadores BROIL KING® (hechos de acero inoxidable) depende casi completamente de su uso, limpieza y mantenimiento adecuados. Esta garantía no cubre fallas causadas por uso y mantenimiento inadecuados. Para consultar las instrucciones de mantenimiento adecuado, vea la página 34.

REJILLAS DE COCCIÓN RECUBIERTAS DE PORCELANA

Todas las rejillas de hierro fundido para cocinar de BROIL KING® están cubiertas con un esmalte de porcelana para facilitar el proceso de limpieza y reducir la tendencia de los alimentos a pegarse a las rejillas. La porcelana es en esencia una cubierta de vidrio. Si las rejillas se manejan incorrectamente, el recubrimiento puede dañarse. Esto no afectará el uso ni el rendimiento de las rejillas. Las rejillas no están aseguradas contra daños ni oxidación derivados de su mal manejo. Consulte la sección "Mantenimiento" (página 34) para ver las instrucciones de cuidado y limpieza de la rejilla de cocción.

SISTEMAS DE VAPORIZACIÓN

Las parrillas a gas BROIL KING® están diseñadas para utilizarse con sistemas de vaporización Flav-R-Wave™. El uso de cualquier otro producto anulará automáticamente la garantía.

FLAV-R-WAVE™

El Flav-R-Wave™ está asegurado contra defectos materiales y oxidación durante un período de 3 años en Monarch, Signet, Baron, 5 años en Sovereign, Regal e Imperial y 2 años en todos los demás modelos, a partir de la fecha de compra. El óxido de la superficie no afectará el rendimiento del Flav-R-Wave™ y no está cubierto por la garantía. Vea la sección "Mantenimiento" (página 34) para consultar las instrucciones de cuidado adecuadas del Flav-R-Wave™.

ENVÍO

Durante los tres (3) primeros meses después de la fecha original de compra, se realizan envíos de cortesía para los encargos de garantía. Después de dicho período, se cobrará el precio del envío en todos los encargos de garantía.

REGISTRE SU PARRILLA

Puede registrar la garantía de su parrilla utilizando el sitio de Internet www.omcbbq.com o llamando al 1-800-265-2150.

RECLAMACIONES DE GARANTÍA

Las partes deben devolverse al Departamento de Garantía de BROIL KING®, previo pago anticipado de los costos de envío, acompañado del Número del modelo, Número de serie, y si su parrilla no está registrada, la constancia de compra (copia del recibo de compra o factura). Si la inspección confirma el defecto, BROIL KING® reparará o reemplazará dicha parte de acuerdo con los términos de la garantía.

Al recibir la carta o fax (no por teléfono) puede que BROIL KING®, a su criterio, no requiera la devolución de la(s) parte(s).

RESIDENTES FUERA DE EE.UU. / CANADÁ

La garantía anterior es gestionada por el distribuidor de BROIL KING® en su país. Contacte a su proveedor para conocer el nombre de su distribuidor BROIL KING®.