

This Owner's Manual is provided and hosted by [Appliance Factory Parts](#).



Charbroil 03505785 Owner's Manual

[Shop genuine replacement parts for Charbroil
03505785](#)



[Find Your Charbroil Grill Parts - Select From 3592 Models](#)

----- Manual continues below -----



Trentino™ Deluxe Fireplace

MODEL 03505785 • Assembly Instructions
FOR OUTDOOR USE ONLY!



Tools needed for assembly: Phillips screwdriver • Adjustable wrench

| | | |
|---|----------------|--|
| | WARNING | |
| <p>Do not use this unit on a wood deck or on combustible surfaces such as dry grass, leaves, mulch, etc. Do not use this unit near heat sensitive or combustible structures such as vinyl or wood siding.</p> | | |

| | | |
|--|----------------|--|
| | CAUTION | |
| <p>THIS UNIT IS HEAVY! DO NOT assemble without a helper.</p> | | |

| | | |
|---|----------------|--|
| | CAUTION | |
| <p>Some parts may contain sharp edges – especially as noted in manual. Wear protective gloves if necessary.</p> | | |

| | | |
|--|----------------|--|
| | CAUTION | |
| <p>Read and follow all safety statements, warnings, assembly instructions and use & care directions before attempting to assemble.</p> | | |

| | | |
|---|----------------|--|
| | WARNING | |
| <p>NEVER LEAVE FIRE UNATTENDED! Do not allow small children near flame. Hot embers can fly out of ring in breezy conditions. Adequate fire extinguishing material should be readily available.</p> | | |

| | | |
|---|----------------|--|
| | WARNING | |
| <p>CARBON MONOXIDE HAZARD Burning charcoal inside can kill you. It gives off carbon monoxide, which has no odor. NEVER burn charcoal inside homes, vehicles or tents.</p> | | |

STOP!

Missing a part?

No need to go back to the store!

The store where you made your purchase does not stock parts for this item. If you need parts, whether they are missing or damaged, call the Customer Service toll free Help Line.

Call us and we will gladly ship the part you need

FREE OF CHARGE.

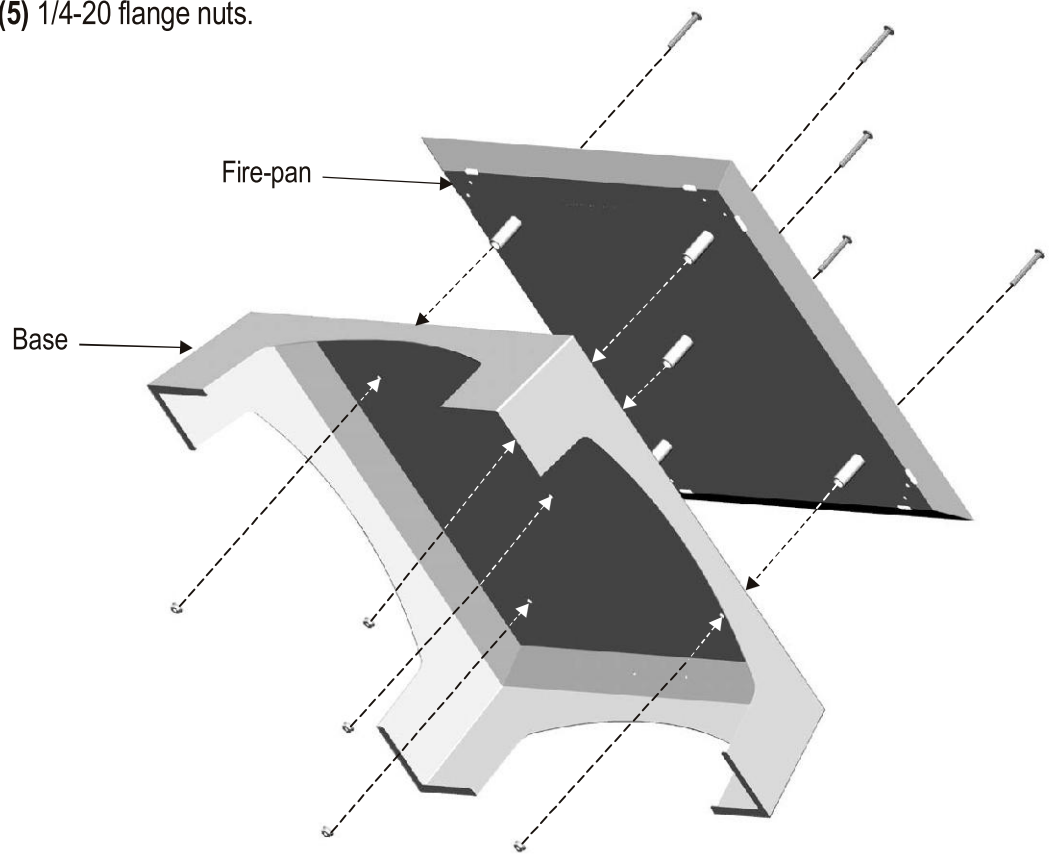
Call Our Help Line
1-800-232-3398



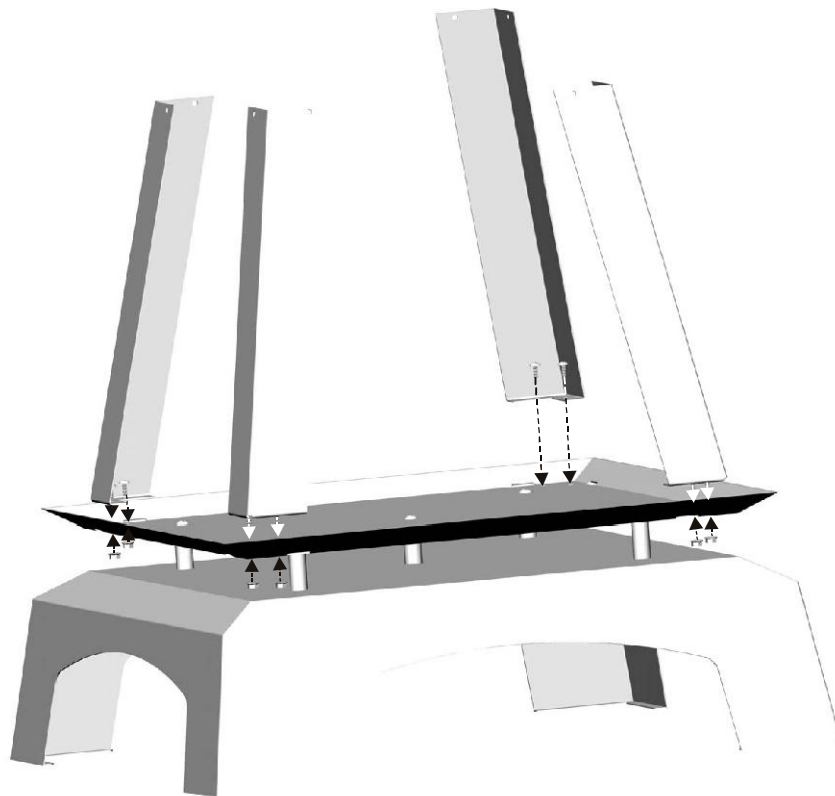
PARTS LIST

| ITEM | DESCRIPTION |
|----------|-----------------|
| 55700002 | Base Kit |
| 55700004 | Fire Pan Kit |
| 55700009 | Corner Post Kit |
| 55700425 | Short Panel Kit |
| 55700426 | Long Panel Kit |
| 55700046 | Hood Kit |
| 55700424 | Logo Plate Kit |
| 40011196 | Outer Carton |
| 55700008 | Hood Cap |
| 41570011 | Short Screen |
| 41570012 | Long Screen |
| 55700016 | Wood Rack |
| 55700014 | Hardware Bag |
| 42503963 | Instructions |

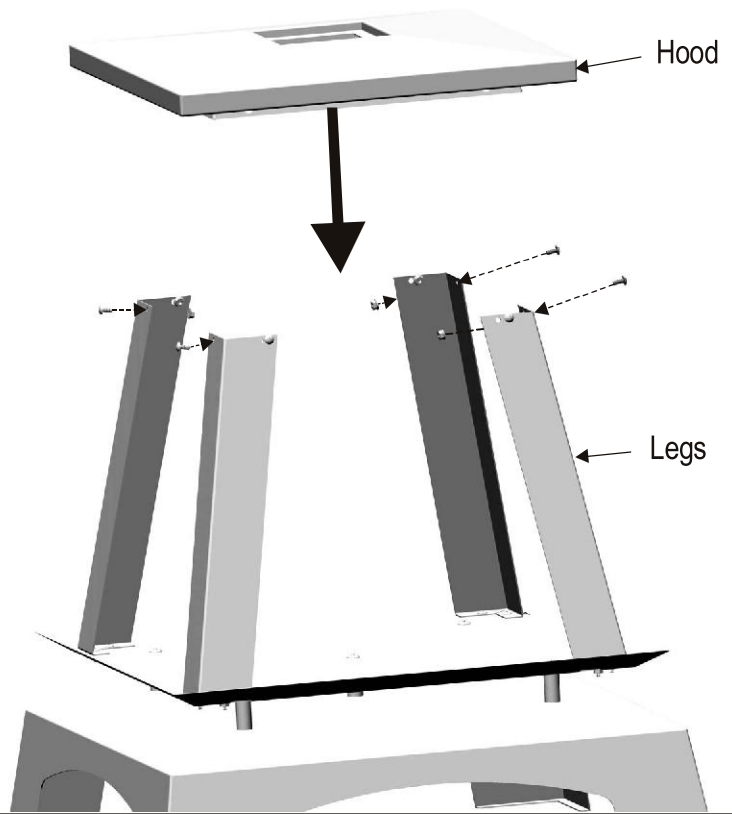
-
- 1** Place **(5)** 1/4-20x2-1/4" machine screws into fire-pan and base. Attach with **(5)** 1/4-20 flange nuts.



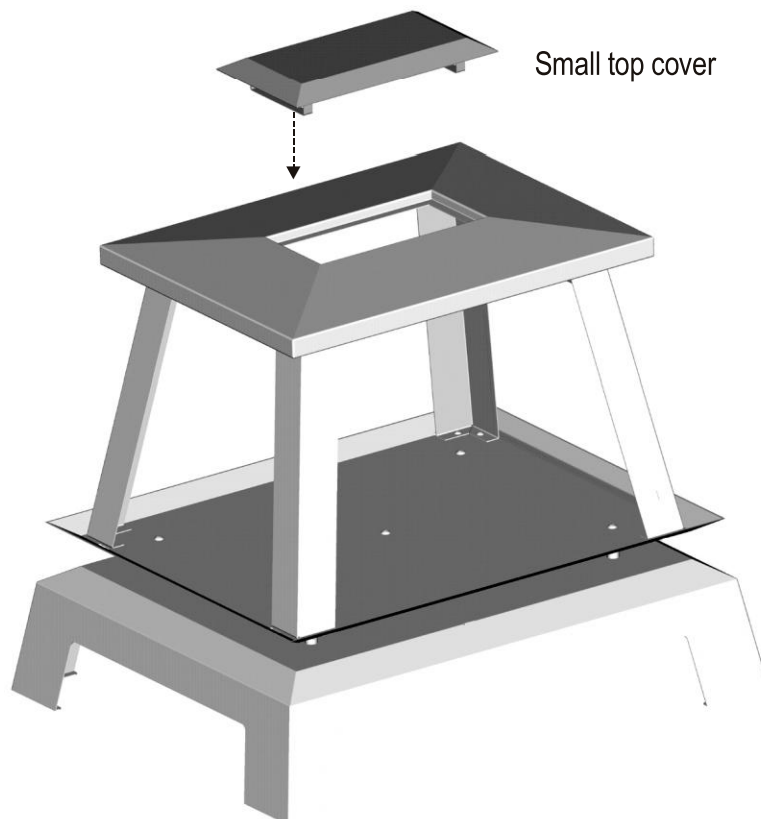
-
- 2** Each corner post attaches with **(2)** #10-24x1/2" screws and **(2)** #10-24 flange nuts. **Do not tighten flange nuts until the top is attached**



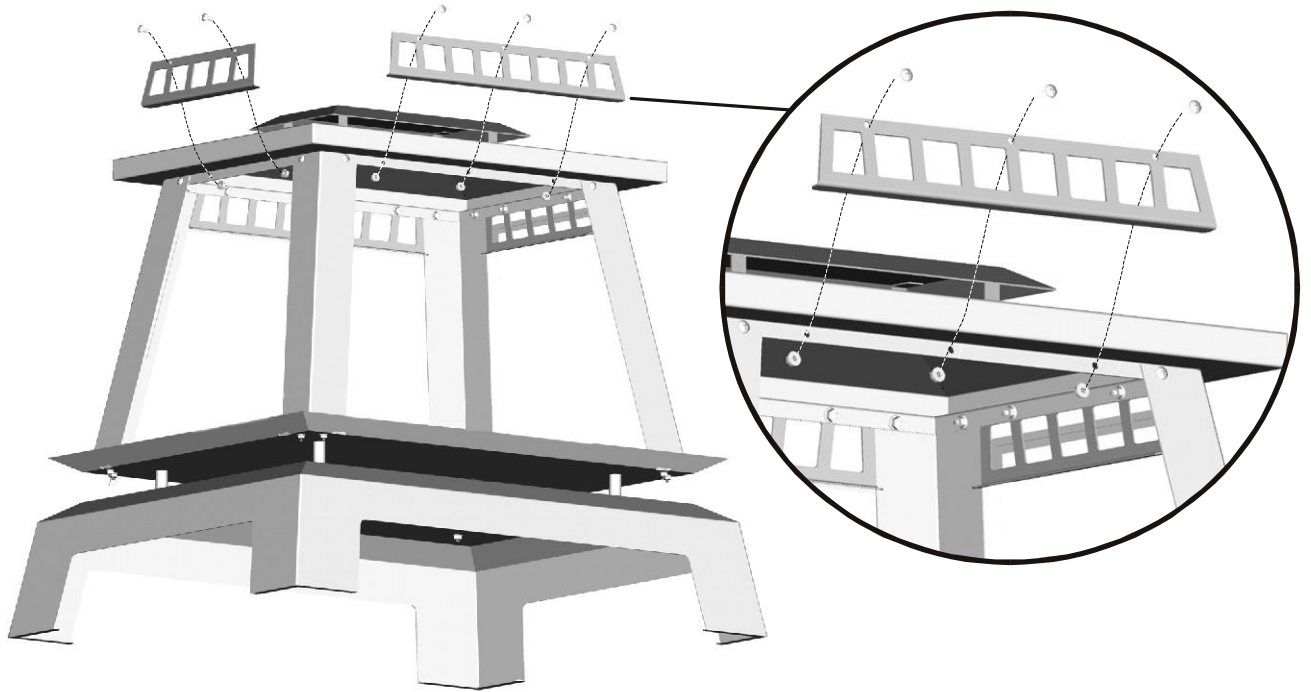
- 3** Place hood on outside of corner posts. Secure each slat with (2) #10-24x1/2" screws and (2) #10-24 flange nuts. **Tighten all flange nuts.**



- 4** Place small top cover inside the flanges in the large top cover.



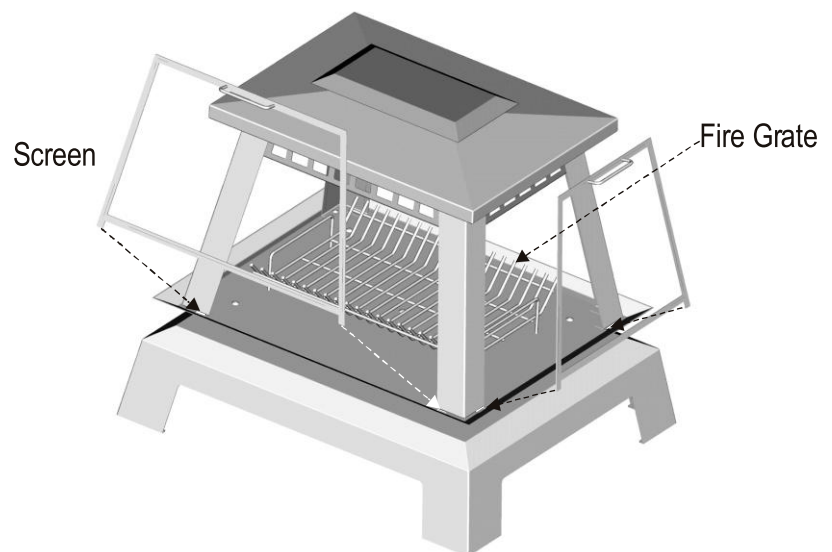
-
- 5** Attach the short panels to large top cover on the short side of the fireplace. Make sure the flange faces the inside of the fireplace. Use (2) 10-24 x ½"bolts and (2) 10-24 flange nuts. Attach the long panels on the long sides in the same manner as the short panels using (3) 10-24 x ½" bolts and (3) 10-24 flange nuts.



Repeat process for other two sides

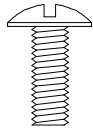
-
- 6** Place fire grate on firepan.

Insert bottoms of screens into slots and rest against corner posts.



HARDWARE LIST

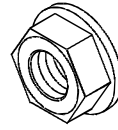
Hardware is shown actual size. You may have spare hardware after assembly is complete.



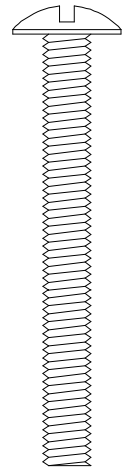
#10-24x1/2"
Machine Screw
Qty: 26



#10-24
Flanged Hex Nut
Qty: 26



1/4-20
Flanged Hex Nut
Qty: 5



1/4-20x2-1/4"
Machine screw,
Qty: 5

| | | |
|---|----------------|--|
| | WARNING | |
| <p>MOST SURFACES ON THIS UNIT ARE HOT WHEN IN USE. USE EXTREME CAUTION. KEEP OTHERS AWAY FROM UNIT. ALWAYS WEAR PROTECTIVE CLOTHING TO PREVENT INJURY.</p> | | |

Limited Warranty

The manufacturer warrants the Trentino for replacement or repair of parts and/or workmanship for a period of ninety (90) days. The manufacturer warrants to the original owner, repair or replacement of the cooking chamber only, should "burn out" or "rust through" occur for a period of one (1) year. Paint is not warranted and will require touchup.

These limited warranties are made exclusively to the original customer presenting proof of purchase. These warranties are limited to non-commercial residential use only. Any returned goods must be shipped prepaid. These warranties do not cover normal wear and tear or damages resulting from abuse or misuse. This warranty excludes incidental or consequential cost due to damages or losses or property of any nature.

NOTICE: Some states do not allow the exclusion or limitation of incidental or consequential damages or limitations on how long an implied warranty lasts, so the above limitations or exclusions may not apply to you. This warranty gives you specific legal rights and you may also have other legal rights which may vary from state to state.

For further information, contact Char-Broil, toll free at 1-800-232-3398.