

This Owner's Manual is provided and hosted by [Appliance Factory Parts](#).



# Charbroil 463734403 Owner's Manual

[Shop genuine replacement parts for Charbroil  
463734403](#)



[Find Your Charbroil Grill Parts - Select From 3592 Models](#)

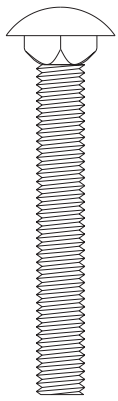
----- Manual continues below -----

**1**

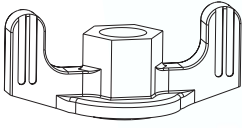
Items to Assemble:  
6 Carriage Bolts  
6 Wing Nuts

Place Bottom Shelf and Legs as shown.

After assembling tighten all Wing Nuts.



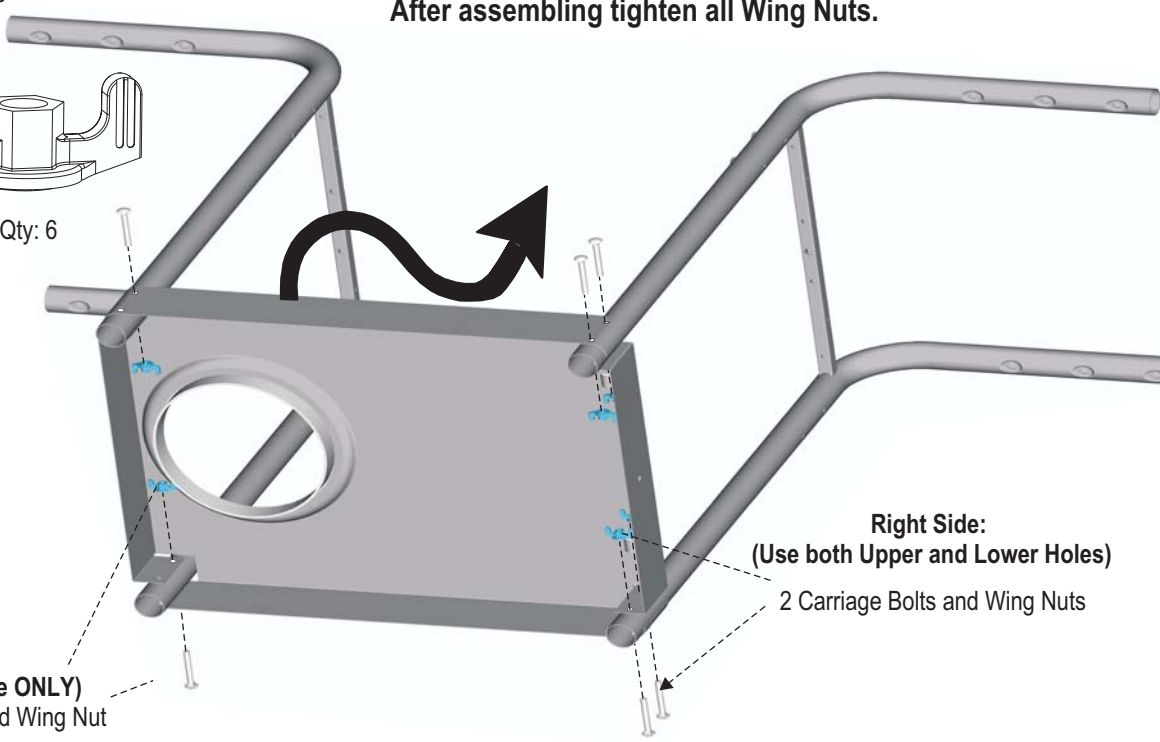
Qty: 6



Qty: 6

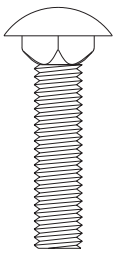
**Left Side: (Use Upper Hole ONLY)**  
to attach 1 Carriage Bolt and Wing Nut

**Right Side:**  
(Use both Upper and Lower Holes)  
2 Carriage Bolts and Wing Nuts



**4**

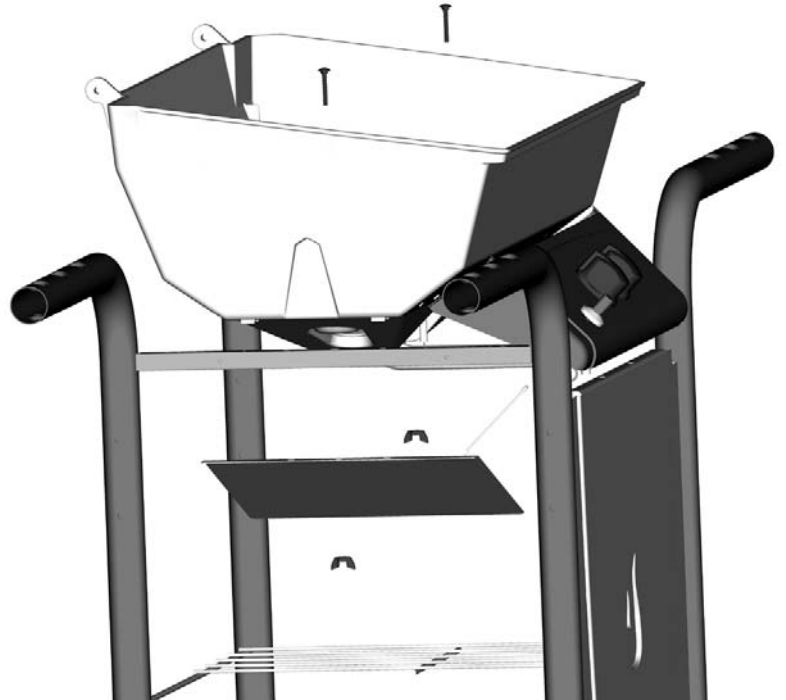
Items to Assemble:  
1 Grill Bottom with Control Panel  
1 Heat Shield  
2 Carriage Bolts  
2 Wing Nuts



Qty: 2



Qty: 2



**7**

Items to Assemble:  
A 1 Grill Lid  
B 2 Hinge Pins  
C 2 Hitch Pins  
D 1 Logo Plate  
E 1 Handle  
F 3 Wing Nuts  
G 1 Heat Indicator  
H 1 Heat Indicator Bracket

Top casting shown is for illustration only. It may not necessarily be the one that is packaged with your grill.

