

This Owner's Manual is provided and hosted by [Appliance Factory Parts](#).



Charbroil 463823303 Owner's Manual

[Shop genuine replacement parts for Charbroil
463823303](#)



[Find Your Charbroil Grill Parts - Select From 3592 Models](#)

----- Manual continues below -----

Parts List - Model 463823303

Key Qty. Description Part #

A 1 Condiment Wire 4151005

B 2 Tent Frame 4151014

C 1 Griddle 4152038

Key Qty. Description Part

CC 2 Burner 5068016

DD 1 Right Shelf 4520044

EE 1 Left Shelf 4520043

FF 1 Grill Top 4580128

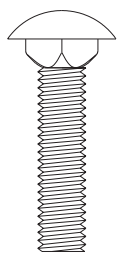
1 1st: Unfold legs. Do not stand cart up until front panel is attached. The front panel stabilizes the cart.

Items to Assemble:

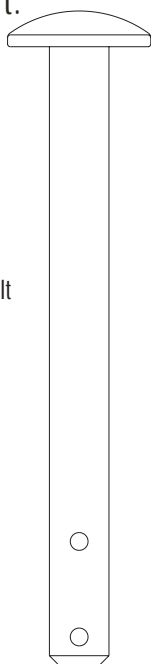
- 2 Wheels
- 1 Tank Support
- 2 Axle Bolts
- 2 Hitch Pins
- 2 Hub Caps

- 1 Tank Retainer
- 1 1-1/4" Carriage Bolt
- 1 Wing Nut

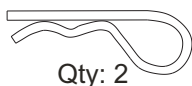
- 2 Control Knobs
- 1 Rotary Ignitor



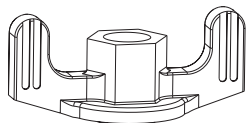
Qty: 1



Qty: 2

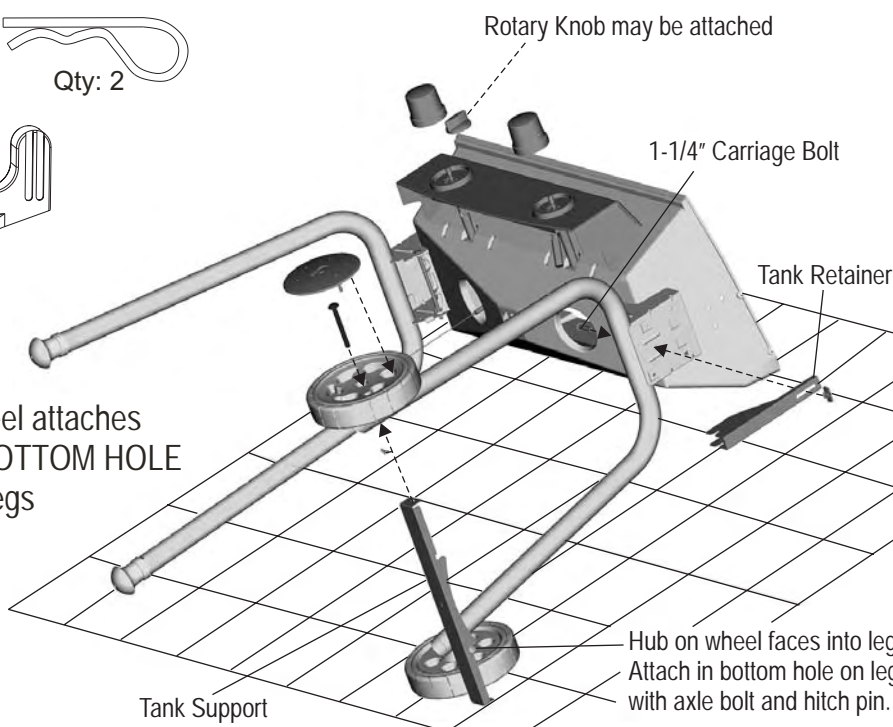


Qty: 2

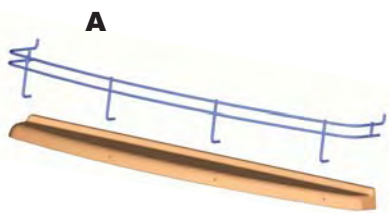


Qty: 1

Wheel attaches in BOTTOM HOLE on legs



4 Item to Assemble:
1 Condiment Wire
1 Condiment Tray



7 Items to Assemble:
1 Logo Plate with clips
1 Handle
2 Wing Nuts

