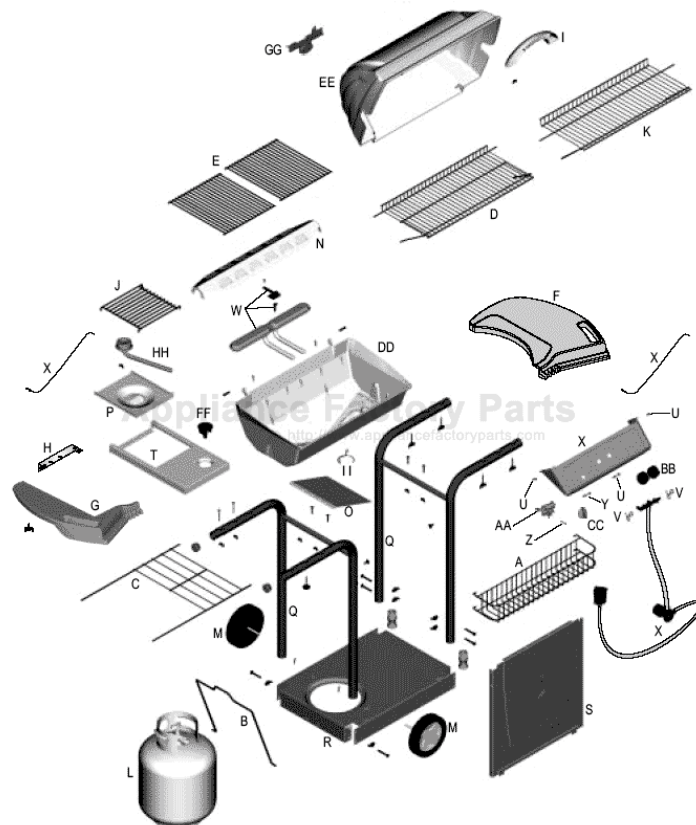


This Owner's Manual is provided and hosted by [Appliance Factory Parts](http://Appliance Factory Parts).



# Charbroil 463832003 Owner's Manual

[Shop genuine replacement parts for Charbroil  
463832003](#)



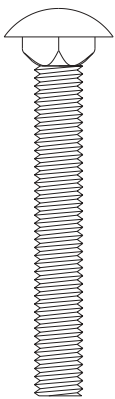
[Find Your Charbroil Grill Parts - Select From 3592 Models](#)

----- Manual continues below -----

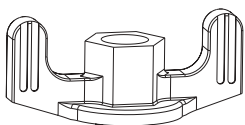
**1**

Items to Assemble:

- 2 Leg Assemblies
- 1 Bottom Shelf
- 6 carriage Bolts
- 6 Wing Nuts



Qty: 6

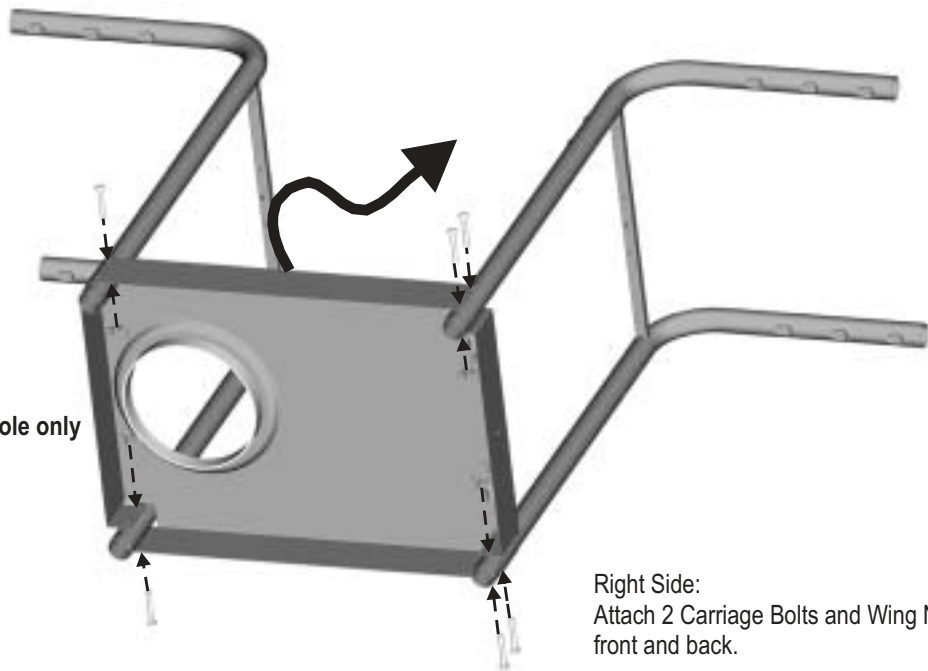


Qty: 6

Left Side:  
Place 1 Carriage Bolt  
and Wing Nut in **upper hole only**

Place Bottom Shelf and Legs as shown.

After assembling tighten all Wing Nuts.

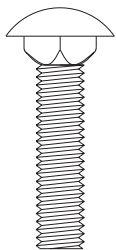


Right Side:  
Attach 2 Carriage Bolts and Wing Nuts in  
front and back.

**4**

Items to Assemble:

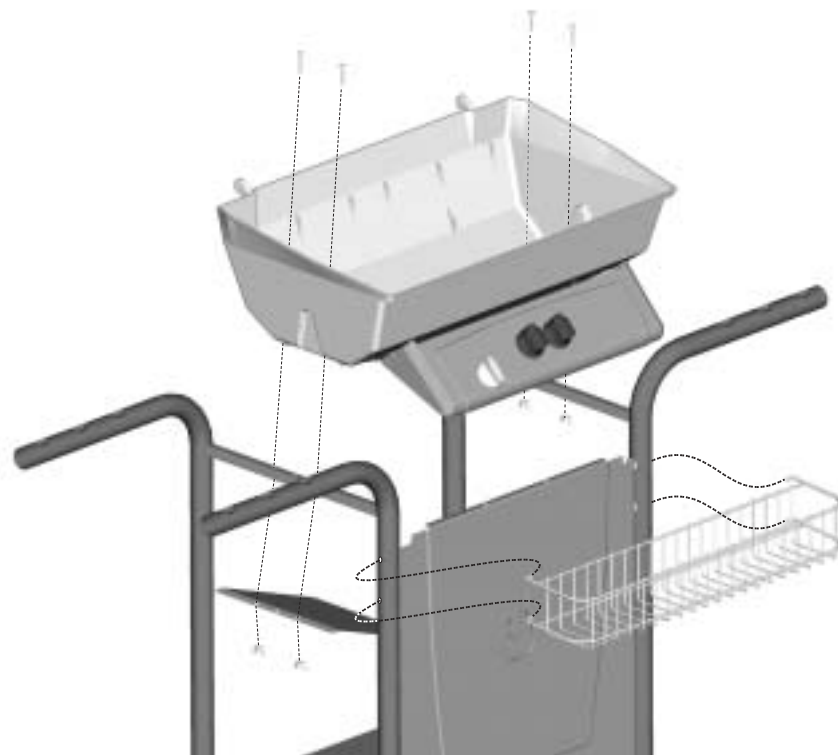
- 1 Grill Bottom with Control Panel
- 1 Heat Shield
- 4 Carriage Bolts
- 4 Wing Nuts
- 1 Condiment Basket



Qty: 4



Qty: 4



**7**

Items to Assemble:

- 1 Sideburner
- 1 Sideburner Grate
- 1 Sideburner Knob
- 1 Wing Nut

**A** Place Sideburner into hole.

**B** Attach Sideburner Valve Cup. Make  
sure Sideburner Tube is inside of  
valve. Tighten with Wing Nut.

**C** Place Sideburner Knob and Grate

