

This Owner's Manual is provided and hosted by [Appliance Factory Parts](#).



# Charbroil 463251705 Owner's Manual

**[Shop genuine replacement parts for Charbroil  
463251705](#)**



**[Find Your Charbroil Grill Parts - Select From 3592 Models](#)**

----- Manual continues below -----



## MODEL 463251705 PRODUCT GUIDE

**THIS GRILL IS FOR OUTDOOR USE ONLY**

**⚠ CAUTION:**

Read and follow all safety statements, assembly instructions, and use and care directions before attempting to assemble and cook.

**INSTALLER/ASSEMBLER:**

Leave these instructions with consumer.

**CONSUMER:**

Keep this manual for future reference.

**⚠ WARNING:**

Failure to follow all manufacturer's instructions could result in serious personal injury and/or property damage.

**⚠ CAUTION:**

Some parts may contain sharp edges - especially as noted in the manual! Wear protective gloves if necessary.

If you have any questions or need assistance during assembly, please call 1-800-241-7548.

To insure your satisfaction and for follow-up service,  
register your grill online at [www.grillregistration.com](http://www.grillregistration.com)

 **WARNING** 

**FOR YOUR SAFETY**

1. Do not store or use gasoline or other flammable vapors and liquids in the vicinity of this or any other appliance.
2. An LP tank not connected for use shall not be stored in the vicinity of this or any other appliance.

**FOR YOUR SAFETY**

If you smell gas:

1. Shut off gas to the appliance.
2. Extinguish any open flame.
3. Open lid.
4. If odor continues, immediately call your gas supplier or your fire department.

**Call Grill Service Center For Help And Parts**

- If you need help or warranty parts call 1-800-241-7548 U.S. or 1-800-387-6057 CANADA.  
Business hours: Open 24 hours – Seven days a week.
- To order non-warranty replacement parts or accessories (*grill cover, cleaners, paint*) call 1-800-993-2677 or send a FAX to 1-706-565-2121.

**IMPORTANT:** Fill out the product record information below.

Model Number \_\_\_\_\_

Serial Number \_\_\_\_\_  
See rating label on grill for serial number.

Date Purchased \_\_\_\_\_

 **CAUTION** 

For residential use only. Do not use for commercial cooking.

 **WARNING** 

**CALIFORNIA PROPOSITION 65**

Combustion by-products produced when using this product contain chemicals known to the State of California to cause cancer, birth defects, and other reproductive harm.

**Installation Safety Precautions**

- Use grill only with LP (propane) gas and the regulator/valve assembly supplied.
- Grill installation must conform with local codes, or in their absence with **National Fuel Gas Code, NFPA 54 / ANSI Z223.1** or **CAN/CGA-B149.2 Propane Installation Code**. Handling and storage of LP cylinders must conform to LP Gas Code **NFPA/ANSI 58**. Grill is not for use in or on recreational vehicles and/or boats.
- All electrical accessories (such as rotisserie) must be electrically grounded in accordance with local codes, or **National Electrical Code, ANSI / NFPA 70** or **Canadian Electrical Code, CSA C22.1**. Keep any electrical cords and/or fuel supply hoses away from any hot surfaces.
- This grill is safety certified for use in the United States or Canada only. Do not modify for use in any other location. Modification will result in a safety hazard.

**Safety Symbols**

The symbols and boxes shown below explain what each heading means. Read and follow all of the messages found throughout the manual.

 **DANGER** 

**DANGER:** Indicates an imminently hazardous situation which, if not avoided, will result in death or serious injury.

 **WARNING** 

**WARNING:** Indicates a potentially hazardous situation which, if not avoided, could result in death or serious injury.

 **CAUTION** 

**CAUTION:** Indicates a potentially hazardous situation or unsafe practice which, if not avoided, may result in minor or moderate injury.



## TABLE OF CONTENTS

For Your Safety . . . . .	2
Grill Service Center . . . . .	2
Product Record Information . . . . .	2
Installation Safety Precautions . . . . .	2
Safety Symbols . . . . .	2
Limited Warranty . . . . .	3
Parts List . . . . .	4
Parts Diagram . . . . .	5
Assembly . . . . .	6-14
Use and Care . . . . .	15-24
Registration Card . . . . .	25

**To insure your satisfaction  
and for follow-up service,  
register your grill  
online at:  
[www.grillregistration.com](http://www.grillregistration.com)**

### Stainless Steel Use and Care

Stainless steel grills can provide many years of reliable service and an attractive appearance in normal outdoor exposure. Consider the following tips to extend the appearance of your stainless steel grill:

- Cooking smoke from normal use of the grill will eventually coat and discolor the stainless steel surface. Periodic cleaning of the surface with supplied grill cleaner is recommended. Follow directions on grill cleaner label. (In coastal areas, small rust pits may develop on the surface of your grill that cannot be fully removed by a cleaner.)
- Periodic cleaning of the cooking grates also helps decrease the risk of a grease fire which can irreversibly darken the stainless steel surface. (Please note that the integrity of the steel is not affected by the flame, only the appearance.)

## LIMITED WARRANTY

Manufacturer warrants to the original consumer-purchaser only that this product shall be free from defects in workmanship and materials after correct assembly and under normal and reasonable home use for the periods indicated below beginning with the date of purchase.

**Brass burners - Lifetime**  
**Firebox and lid - Limited Lifetime against perforation**  
**Electronic ignition (excluding battery) - 3 years**  
**Remaining parts (excluding battery) - 1 year**

This limited warranty is for replacement of defective parts only. Manufacturer will not be responsible for failure or damage resulting from use, accident, alteration, misuse, transportation, commercial use, abuse, hostile environments, improper installation or installation not in accordance with local codes.

Manufacturer will, at its option, refinish or replace any product or part found to be defective during its respective warranty period. Manufacturer will require return of the part(s) claimed to be defective, for its inspection, freight or postage prepaid. Manufacturer may require reasonable proof of purchase and suggests that receipts be retained.

This limited warranty does not cover scratches, dents, corrosion or discoloring by heat, abrasive and chemical cleaners or any tools used in the assembly or installation of the appliance. This limited warranty does not cover surface rust, or the discoloration of stainless steel surfaces. This limited warranty does not include the cost of any inconvenience, personal injury or property damage due to failure of the product.

THIS EXPRESS WARRANTY IS THE SOLE WARRANTY GIVEN BY THE MANUFACTURER AND IS IN LIEU OF ALL OTHER WARRANTIES, EXPRESS OR IMPLIED, INCLUDING IMPLIED WARRANTY OF MERCHANTABILITY OR FITNESS FOR A PARTICULAR PURPOSE OR USE.

Neither dealers nor the retail establishment selling this product has any authority to make any additional warranties or to promise remedies in addition to or inconsistent with those stated above. Manufacturer's maximum liability, in any event, shall not exceed the purchase price of the product paid by the original consumer-purchaser.

NOTE: Some states do not allow an exclusion or limitation of incidental or consequential damages, so the above limitations or exclusions may not apply to you. This limited warranty gives you specific legal rights as set for herein. You may also have other rights which vary from state to state. In the state of California only, if refinishing or replacement of the product is not commercially practicable, the retailer selling this product or the Manufacturer will refund the purchase price paid for the product, less the amount directly attributable to use by the original consumer-purchaser prior to discovery of the nonconformity. In addition, in the state of California only, you may take the product to the retail establishment selling this product in order to obtain performance under this limited warranty.

If you wish to obtain performance of any obligation under this limited warranty, you should write to:

**Consumer Warranty / P.O. Box 1240  
Columbus, GA 31902-1240**

## PARTS LIST – Model No. 463251705

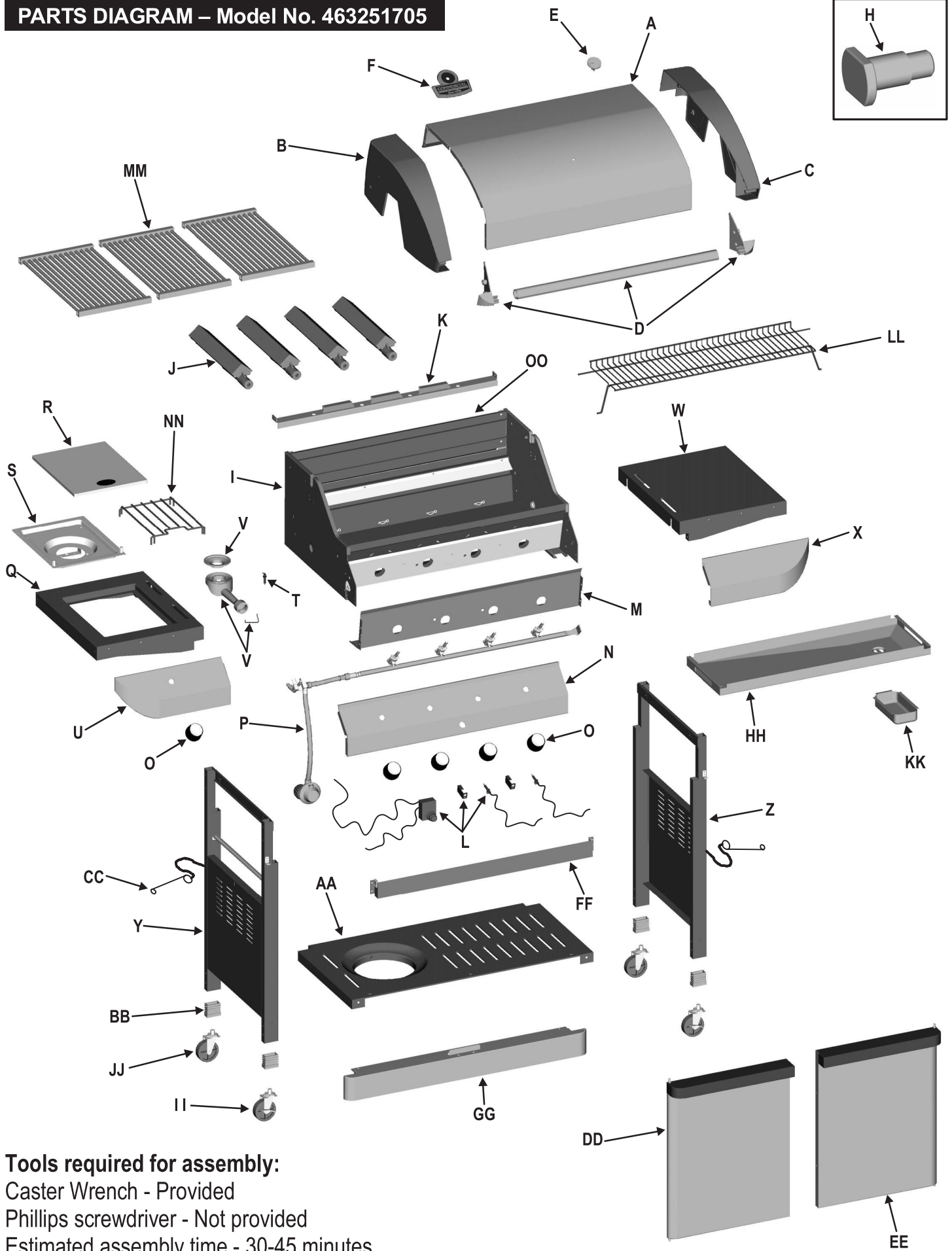
<u>Key</u>	<u>Qty</u>	<u>Description</u>	<u>Part #</u>	<u>Key</u>	<u>Qty</u>	<u>Description</u>	<u>Part #</u>
A	1	Top Lid Insert . . . . .	80001767	Y	1	Cart Side w/Panel, Left. . . . .	80001783
B	1	Top Lid End Cap, Left. . . . .	80001768	Z	1	Cart Side w/panel, Right. . . . .	80001785
C	1	Top Lid End Cap, Right . . . . .	80001769	AA	1	Bottom Shelf w/Nut. . . . .	80002042
D	1	Front Handle/Handle Plate Assembly. .	80001770	BB	4	Cart Frame Caster Socket . . . . .	80000076
E	1	Thermometer . . . . .	80000096	CC	2	Match-Lighting Stick. . . . .	80001923
F	1	Commercial Series Logo Plate. . . . .	80002884	DD	1	Door Assembly - Left . . . . .	80001787
H	2	Lid Hardware, Screw . . . . .	80002833	EE	1	Door Assembly - Right . . . . .	80001793
I	1	Grill Bottom Assembly w/Heat Shield. .	80002045	FF	1	4B Upper Rail. . . . .	80002784
J	4	Main Burner, Brass. . . . .	80000431	GG	1	Bottom Rail. . . . .	80001782
K	1	Burner Brace w/Carry-Overs . . . . .	80000689	HH	1	4B Grease Tray . . . . .	80002024
L	1	Ignitor System Assembly . . . . .	80000690	II	2	Locking Caster . . . . .	80000268
M	1	Heat Shield for Valve Manifold . . . . .	80002782	JJ	2	Fixed Caster. . . . .	80000269
N	1	Control Panel . . . . .	80001774	KK	1	Grease Pan . . . . .	80002027
O	5	Lowes Knob Assembly . . . . .	80002020	LL	1	Warming Rack . . . . .	80002906
P	1	4-Valve, Manifold/Hose/Regulator Assembly w/Sideburner. . . . .	80000440	MM	1	Cooking Grate, Set of 3 . . . . .	80001643
Q	1	Sideburner Frame . . . . .	80001472	NN	1	Cooking Grate, Sideburner, Wire . . . . .	80000638
R	1	Sideburner Lid . . . . .	80000316	OO	1	Grill Bottom, Upper Rear Panel . . . . .	80002902
S	1	Sideburner Pan w/Brace . . . . .	80000051		1	Hardware Pack. . . . .	80001799
T	1	Sideburner Electrode . . . . .	80000055		1	Product Guide . . . . .	80002330
U	1	Sideburner Control Panel. . . . .	80001777				
V	1	Sideburner Burner Assembly w/Retainer Clip . . . . .	80000453				
W	1	Side Shelf. . . . .	80001474				
X	1	Side Shelf Control Panel . . . . .	80001780				

Certified Grill Parts And Accessories®, Char-Broil and Design®, Char-Broil (Gas Grill Briquettes)®, Char-Diamonds®, Cooking Zone and Design®, Diamond Flame®, Executive Chef®, Faststart®, Flare Fighter®, FlavorMaster®, Gas Grill Silhouette and Design®, H2O Smoker®, Lava Flame®, MasterFlame®, MasterFlame Precision Cooking System®, PowerSpark®, Quantum®, VIP®, PrecisionFlame and Design®, Sierra®, and TruFlame® are registered Trademarks of the W.C. Bradley Company. Thermos® is a registered trademark of the Thermos Company and its affiliates.

Artisan Collection by Char-Broil™, C3 and Design™, Char-Broil and Design™, Flame Design™, FlavorTents™, Grill 2 Go™, Grillin' Stick™, Keeper of the Flame™, Keepers of the Flame™, Natural Grip™, Outdoor Cooking Collection and Design™, Patio Bistro™, PrecisionFlame™, Pro-Check™, QuickSet Grills and Design™, SmokerTents™, The Big Easy™, The Minute Grill™, The Edge™, The Tuscan Collection™, and The Urban Grill™ are Trademarks of the W.C. Bradley Company. Universal Grill Parts and Design™ is a trademark of the Thermos Company and its affiliates.

Protected under one or more of the following U.S. Patents: 4,598,692; 4,624,240; 4,747,391; 4,747,391; 4,817,583; 4,924,846; 4,989,579; 5,003,960; 5,076,256; 5,076,257; 5,090,398; 5,109,834; 5,224,676; 5,277,106; 5,421,319; 5,441,226; 5,452,707; 5,458,309; 5,566,606; 5,566,606; 5,579,755; 5,582,094; 5,613,486; 5,649,475; 5,706,797; 5,711,663; 5,765,543; 5,931,149; 5,996,573; 6,095,132; 6,135,104; 6,173,644B1; 6,279,566; 6,397,731; 6,418,923; 6,439,222; 6,523,461; D282,619; D339,714; D341,292; D343,337; D358,059; D361,466; D364,535; D372,637; D373,701; D377,735; D383,035; D397,910; D405,643; D405,643; D406,005; D406,009; D413,043; D413,229; D413,229; D414,982; D415,388; D416,164; D416,441; D416,441; D417,587; D422,516; D423,274; D423,876; D428,303; D435,396; D436,004; D438,059; D438,060; D438,427; D439,110; D442,505; D443,179; D443,354; D447,384; D447,385; D447,909; D448,610; D448,614; D448,614; D448,615; D448,616; D448,975; D449,492; D451,759; D456,202S; D460,313 and D461,359. Canada: 87743; 87744; 92607; 92608 and 1,316,424. Other Patents Pending.

**PARTS DIAGRAM – Model No. 463251705**

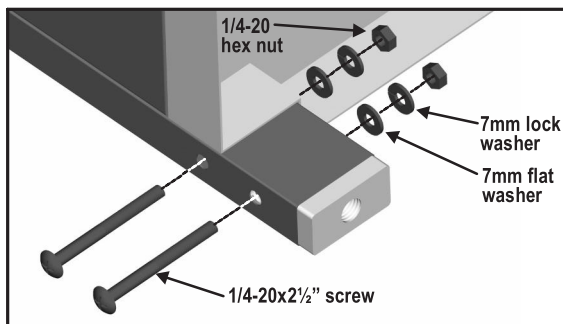


**Tools required for assembly:**  
 Caster Wrench - Provided  
 Phillips screwdriver - Not provided  
 Estimated assembly time - 30-45 minutes

## ASSEMBLY – Model No. 463251705

**1**

Attach the two cart sides to bottom shelf using one **1/4-20x2½"** screw, **7mm** flat washer, **7mm** lock washer and **1/4-20** hex nut at **upper hole** in each rear leg. Insert another **1/4-20x2½"** screw into **lower hole**, through caster socket, and secure with **7mm** flat washer, **7mm** lock washer and **1/4-20** hex nut.



Cart side w/panel, right  
80001785

Bottom shelf  
80002042

Door hinge brackets  
on front legs

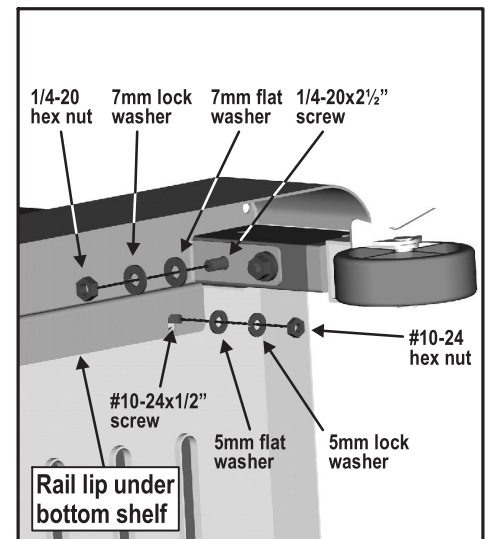
Cart side w/panel, left  
80001783

Tank hole to  
left side

**IMPORTANT:** Tank hole in bottom shelf must be to left side. Door hinge brackets are on front legs.

**2**

Place bottom rail onto cart over front legs. Inside lip of rail must be **UNDER** bottom shelf. Secure bottom rail to front legs using two **1/4-20x2½"** screws, **7mm** lock washers and **7mm** flat washers at each leg. Next, insert three **#10-24x1/2"** screws through bottom shelf and rail. Secure under shelf with **5mm** flat washers, **5mm** lock washers and **#10-24** hex nuts. Turn cart upside-down. Thread locking casters into sockets on front legs and fixed casters into sockets on rear legs. Tighten with caster wrench provided.



Locking  
caster  
80000268

Bottom rail  
80001782

Rail lip under  
bottom shelf

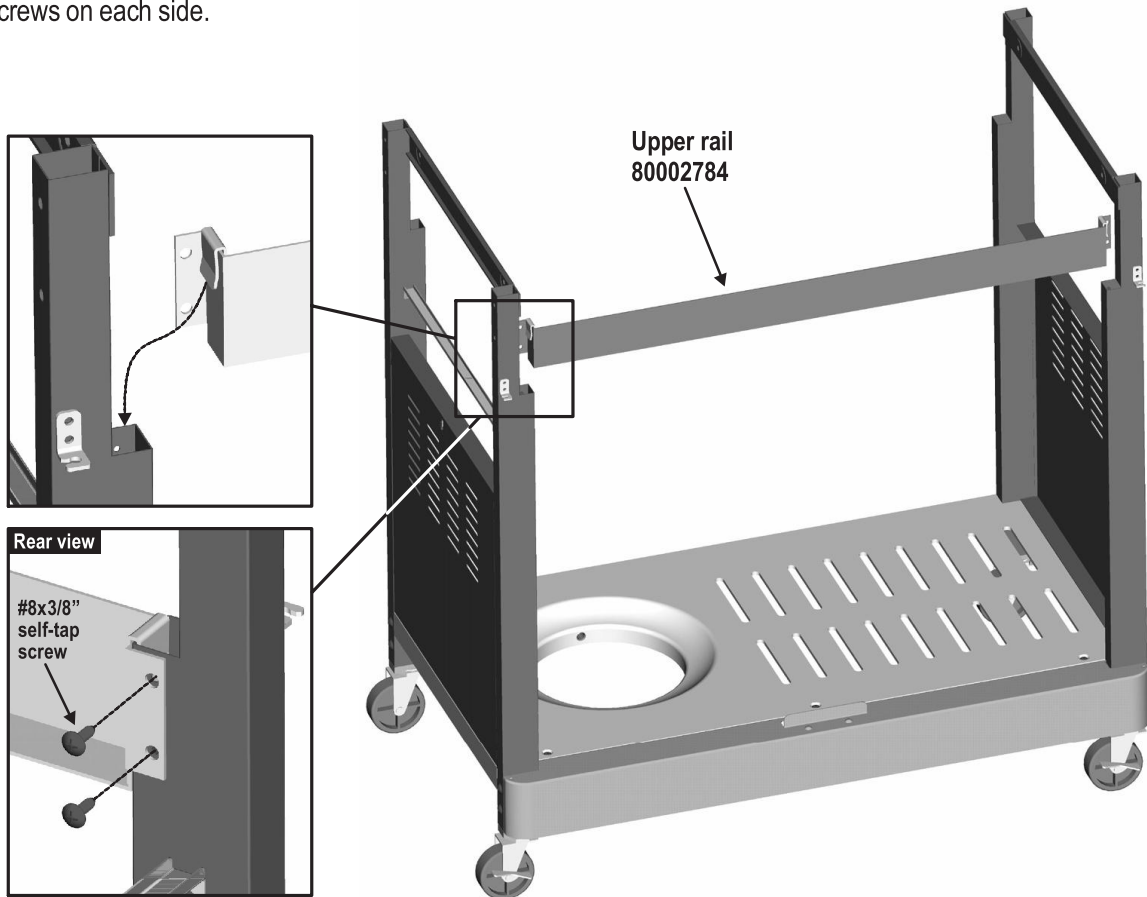
Fixed caster  
80000269

**NOTE:** Do not attempt to move grill with casters in the locked position.

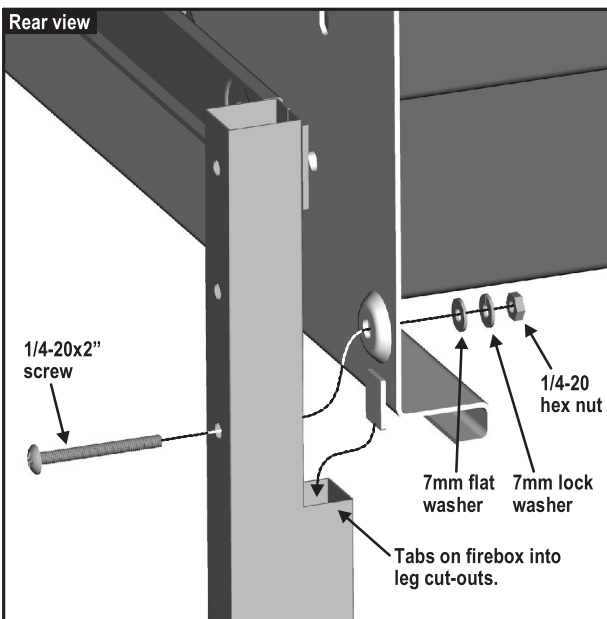
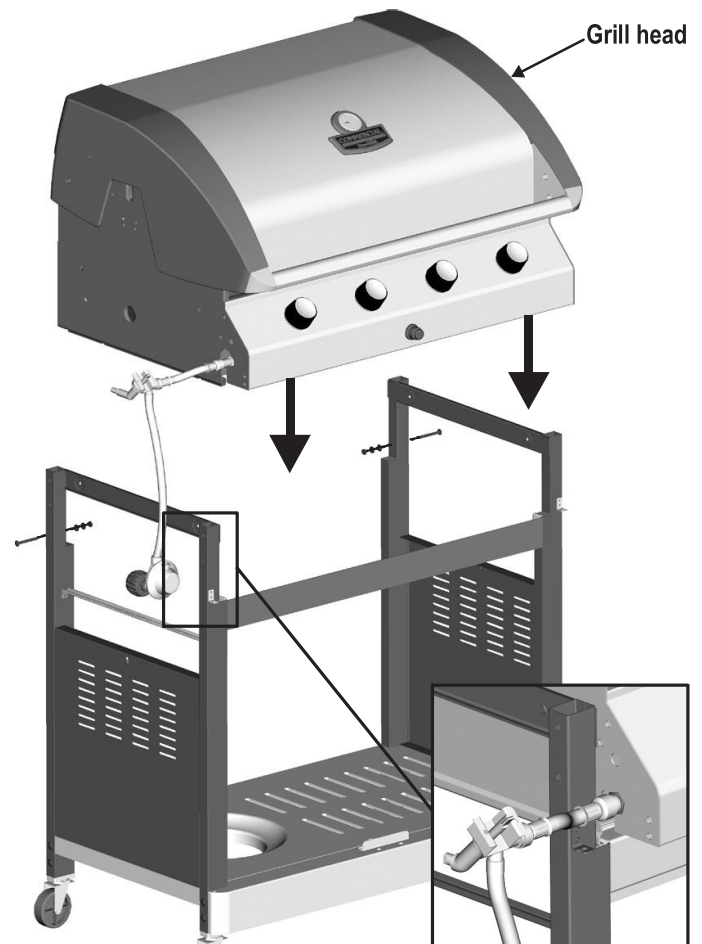


**3**

Attach upper rail to cart assembly. Tabs on rail fit inside legs. Secure rail to back of front legs using two #8x3/8" self-tap screws on each side.

**4**

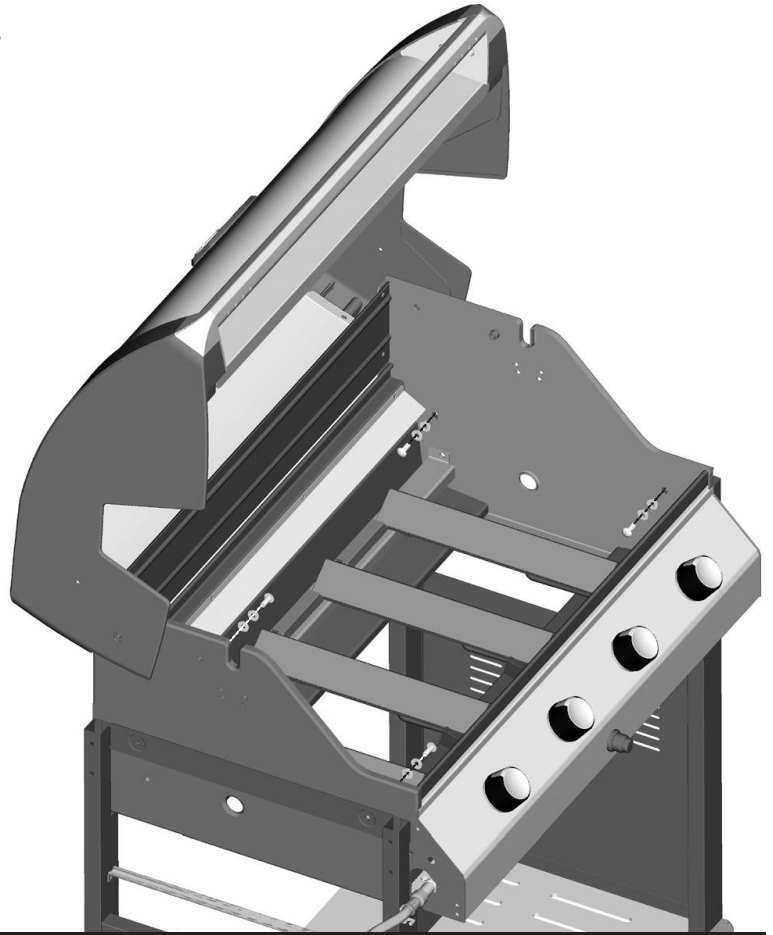
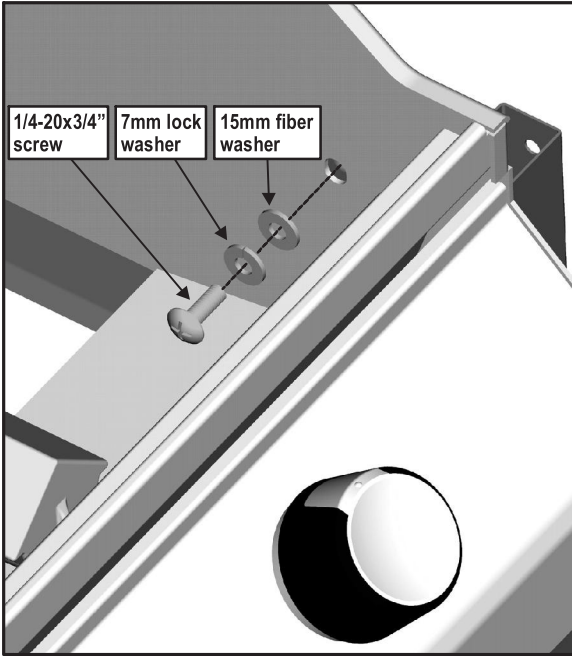
This step requires two people to lift and position grill head onto cart. Carefully lower the grill head onto the cart between the two braces, inserting tabs in sides of firebox into cut-outs in rear legs. **Make sure the regulator hose is hanging outside the cart.** Insert 1/4-20x2" screws through rear legs (3rd hole from top) and firebox, and secure with 7mm flat washers, 7mm lock washers and 1/4-20 hex nuts. **Do not fully tighten.**



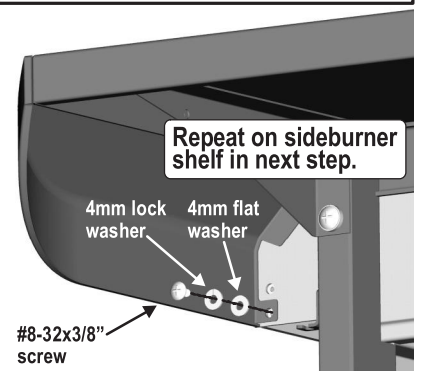
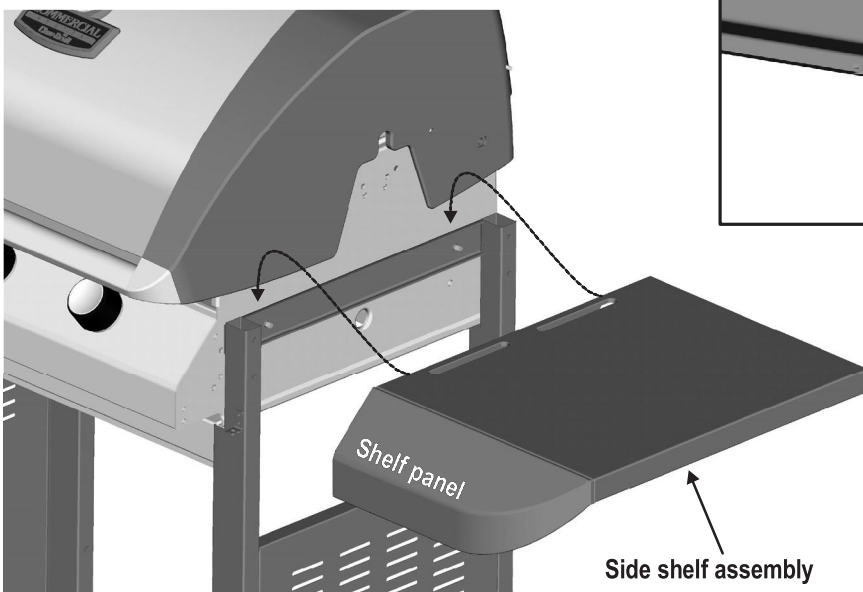
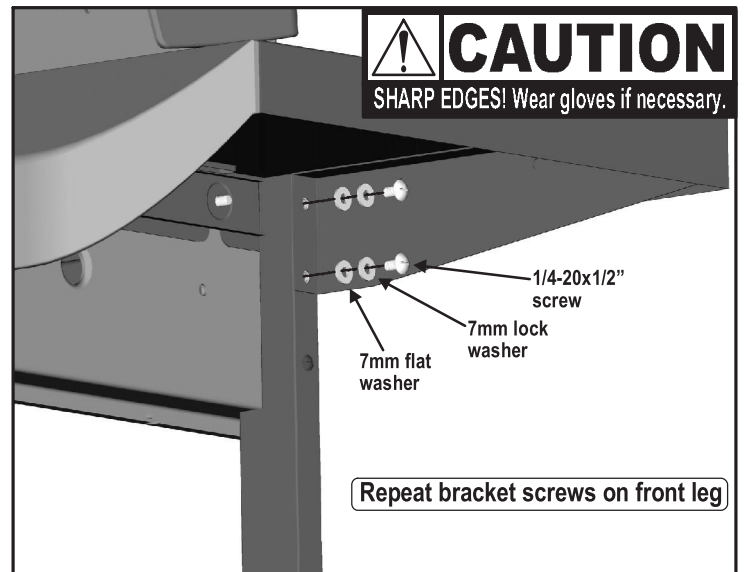


**5** Secure grill head to leg braces using four **1/4-20x3/4"** screws, **7mm** lock washers and **15mm** fiber washers. Screws must be attached from **inside** the grill head into braces.

**Do not fully tighten screws until side shelves are assembled in the following steps.**

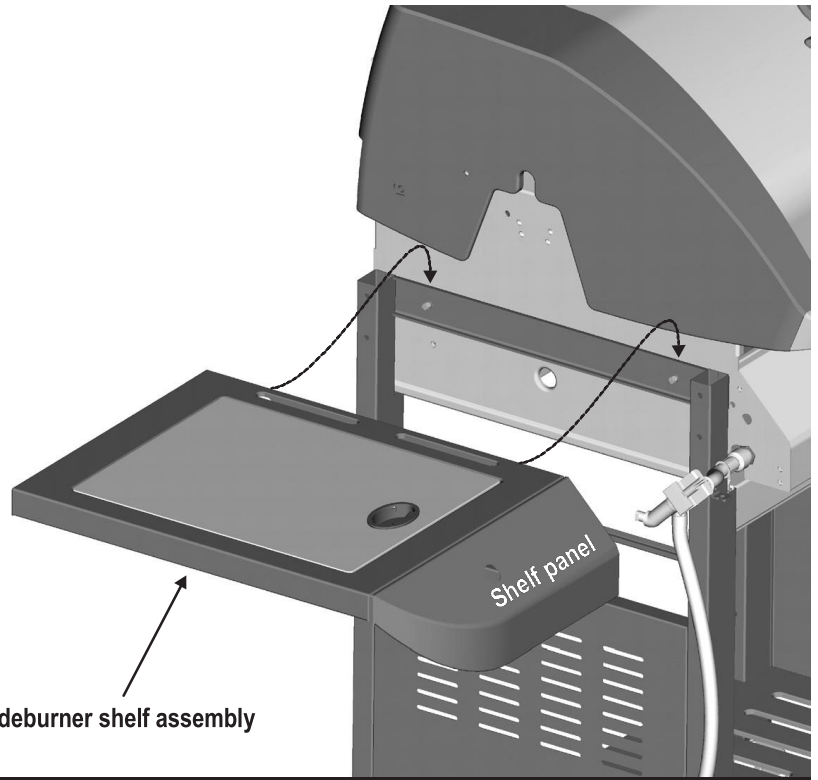
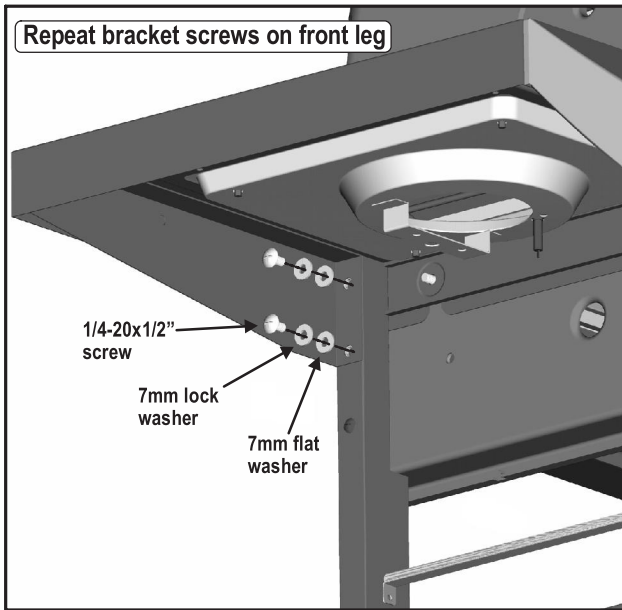


**6** Place side shelf over right cart legs. Lip of shelf should fit between grill bottom and leg brace. Secure shelf brackets to cart legs using two **1/4-20x1/2"** screws, **7mm** lock washers and **7mm** flat washers per bracket. Attach inside of shelf panel to side of grill bottom using one **#8-32x3/8"** screw, **4mm** lock washer and **4mm** flat washer.



**7**

Place sideburner shelf over left cart legs. Lip of shelf should fit between grill bottom and leg brace. Secure shelf brackets to cart legs using two **1/4-20x1/2"** screws, **7mm** lock washers and **7mm** flat washers. Attach inside of shelf panel to side of grill bottom using one **#8-32x3/8"** screw, **4mm** lock washer and **4mm** flat washer. **Fully tighten screws inside grill bottom and at back of grill at this time. Refer to Steps 4 and 5.**

**CAUTION**

SHARP EDGES! Wear gloves if necessary.

Sideburner shelf assembly

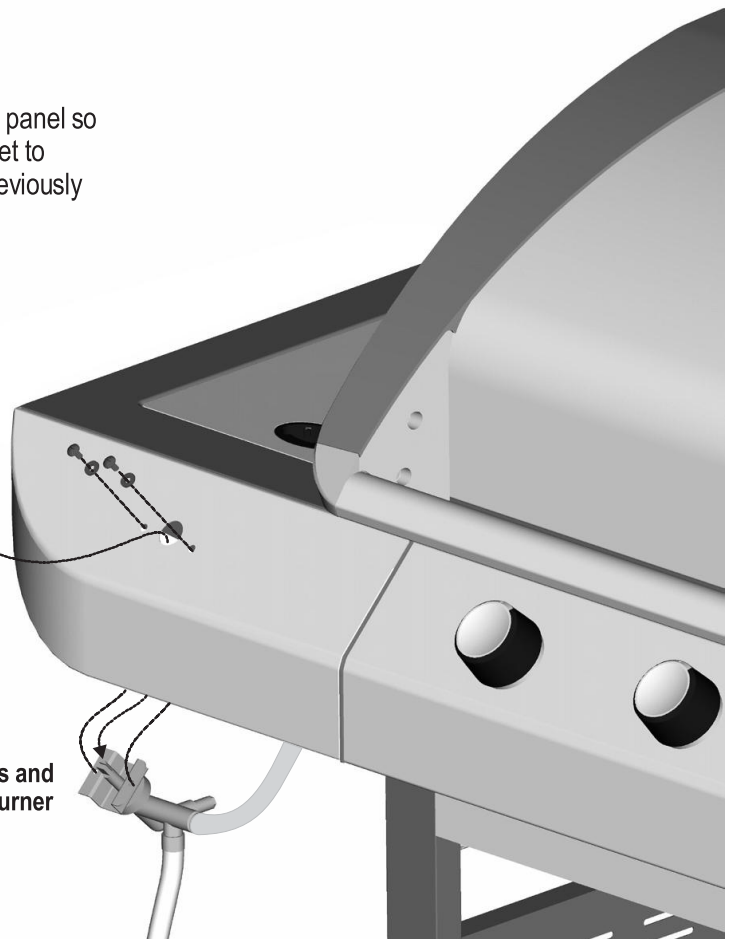
**8**

**First, remove the two screws and washers from the sideburner valve bracket.**

Place sideburner valve bracket under sideburner control panel so that valve stem comes through large hole. Secure bracket to control panel using two screws and washer that were previously removed. Press knob assembly onto valve stem.

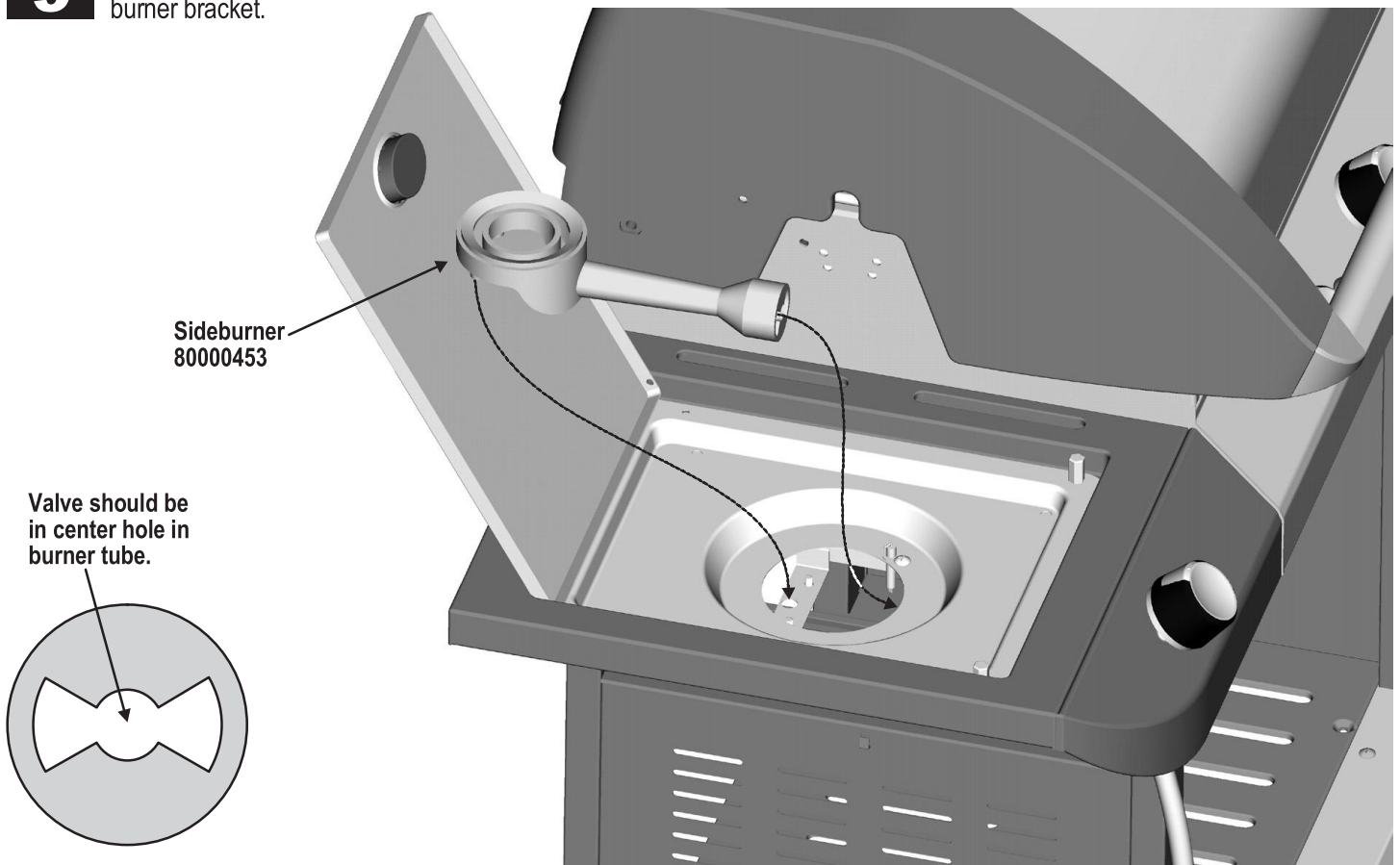
Lowes knob assembly  
80002020

First, remove screws and washers from sideburner valve bracket.

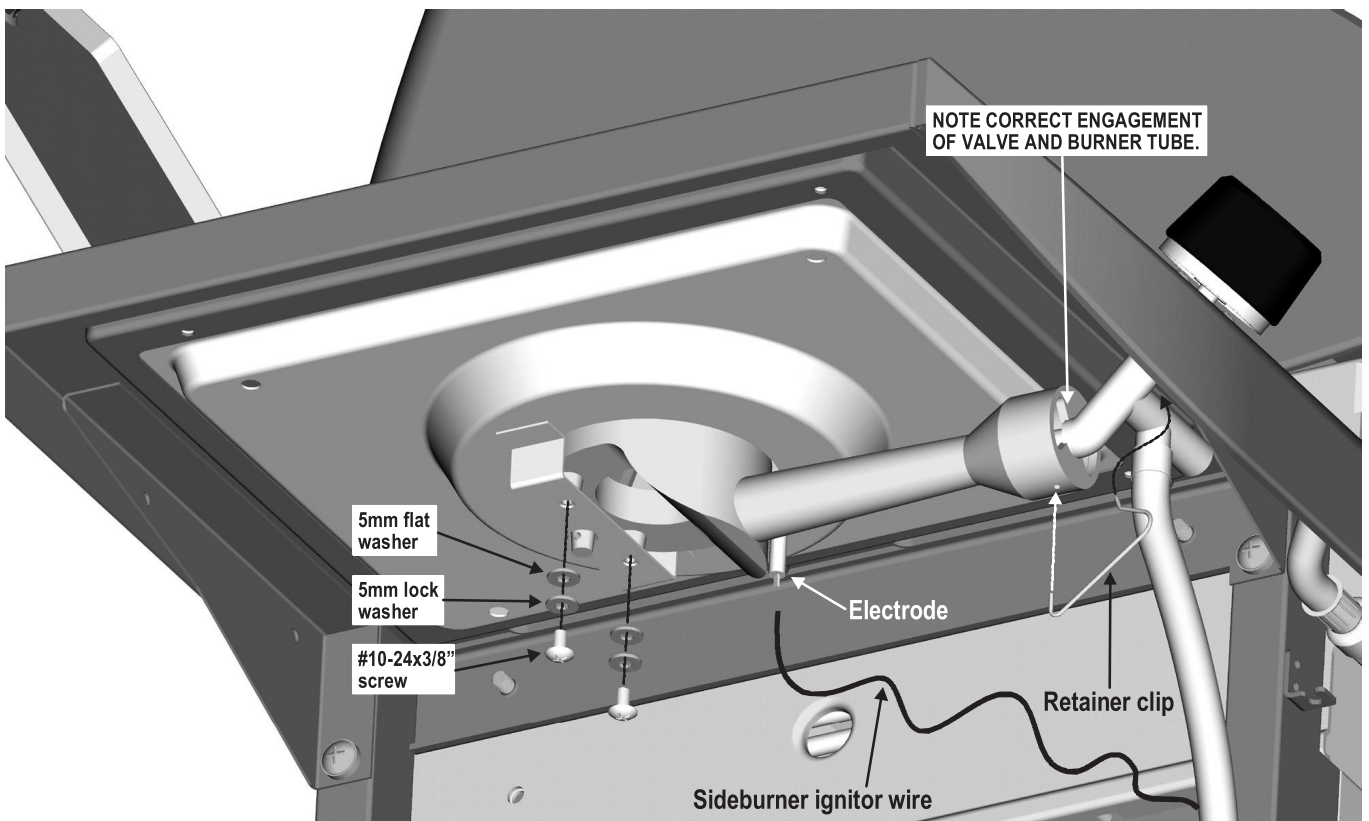


**9**

Insert sideburner into shelf, sliding end of burner tube over sideburner valve. Stud on bottom of burner fits into center hole on burner bracket.

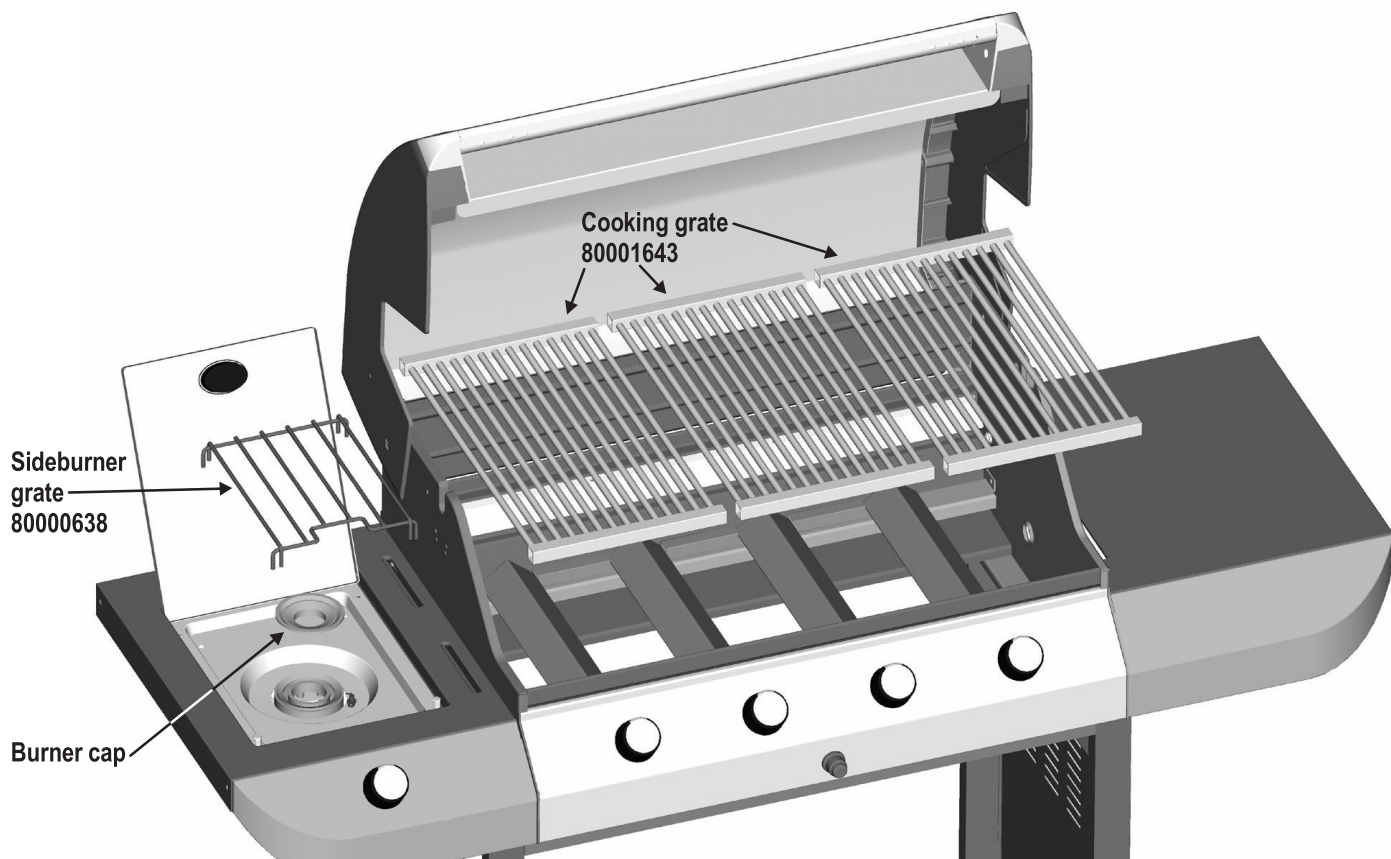
**10**

Secure sideburner to bracket using two **#10-24x3/8"** screws, **5mm** lock washers and **5mm** flat washers. Insert short end of retainer clip into small hole in bottom of burner tube and snap opposite end over sideburner valve. Attach sideburner ignitor wire to electrode near burner.

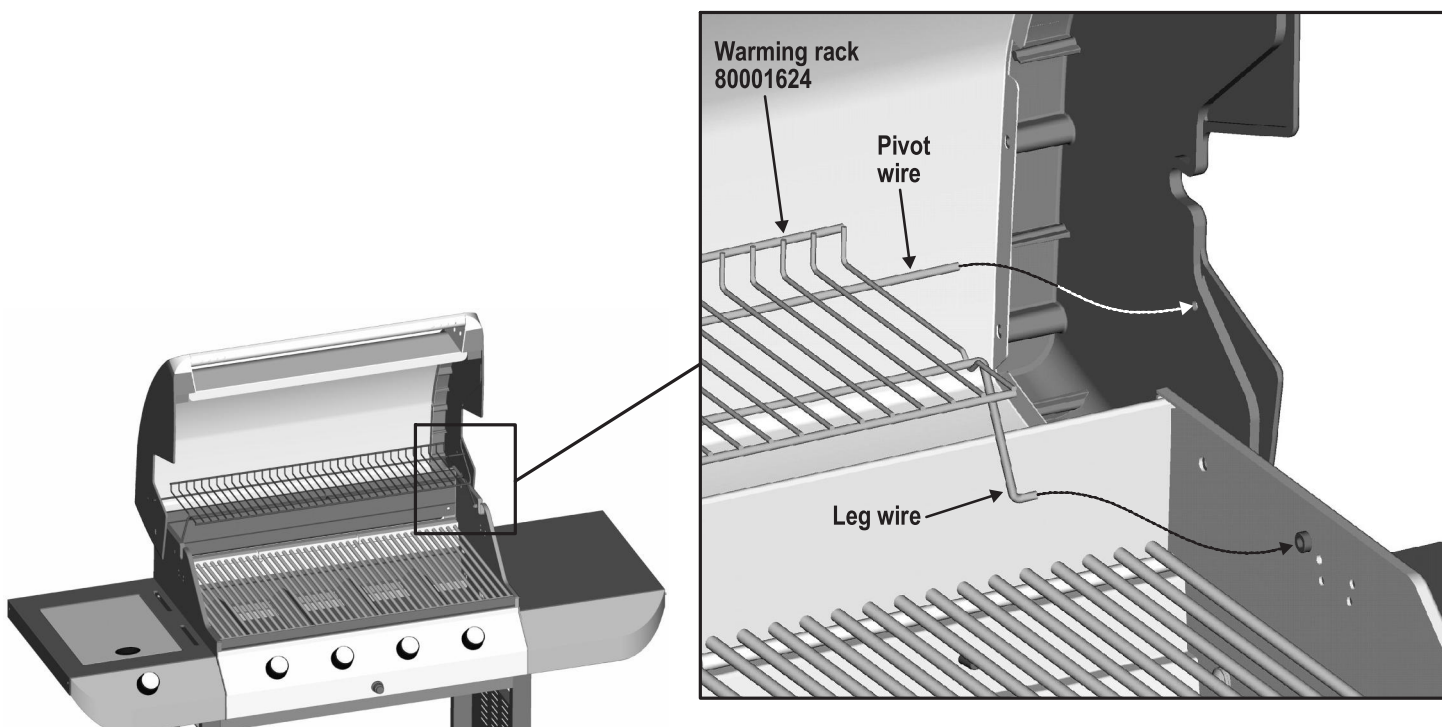




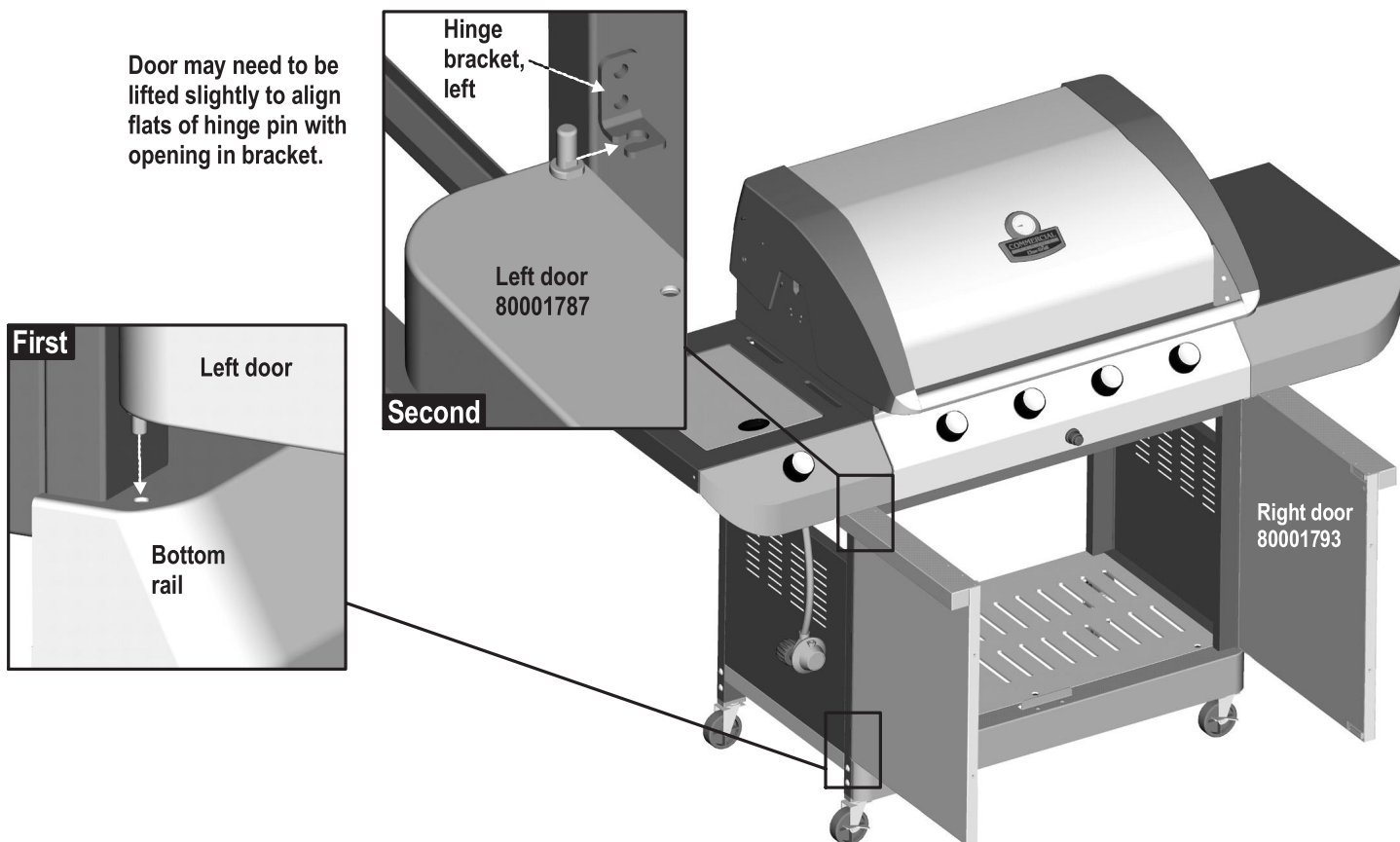
**11** Place burner cap onto sideburner and sideburner grate onto shelf. Place cooking grates into grill bottom. Grate wires running front to back should be facing upward . . . side to side wires downward.



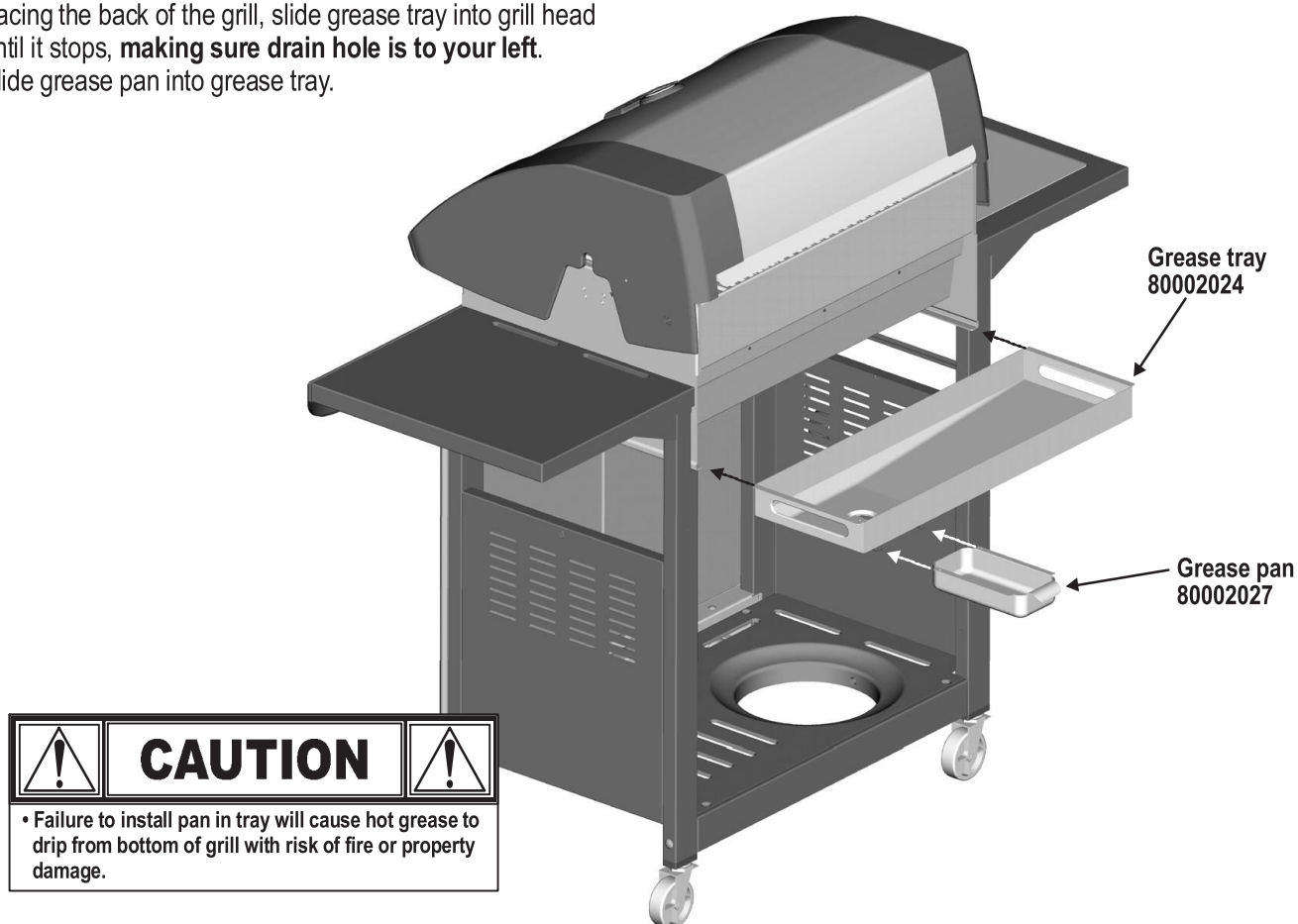
**12** To assemble warming rack, insert pivot wire into holes in sides of grill lid. Next, insert leg wires into holes in sides of grill bottom.



**13** With left door in the open position, insert bottom hinge pin into hole in bottom rail. Next, slide top hinge pin into hinge bracket on front of left leg. Close door. Repeat to install right door.



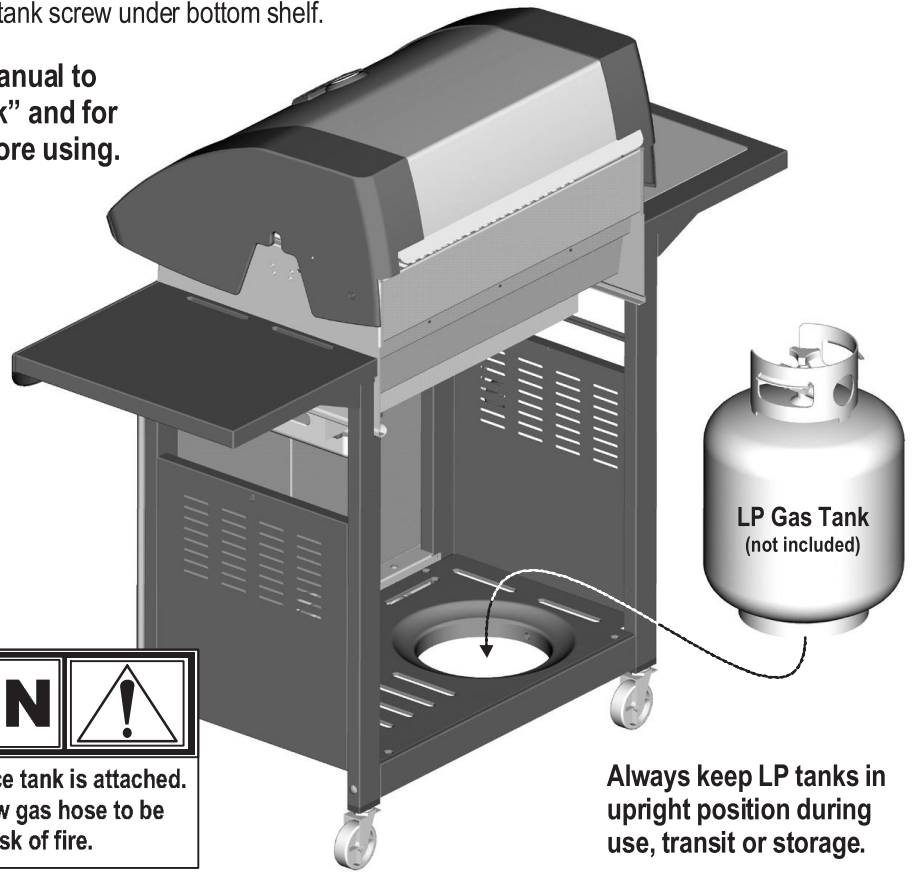
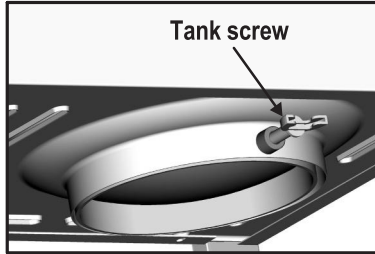
**14** Facing the back of the grill, slide grease tray into grill head until it stops, **making sure drain hole is to your left**. Slide grease pan into grease tray.



# 15

**LP TANK IS SOLD SEPARATELY.** Fill and leak check the tank before attaching to grill and regulator (see Use & Care section). Once tank has been filled and leak checked, place tank into tank hole in bottom shelf. **Make sure tank valve is facing front of grill.** Secure tank with tank screw under bottom shelf.

See Use & Care section of this manual to perform the “Burner Flame Check” and for important safety instructions before using.

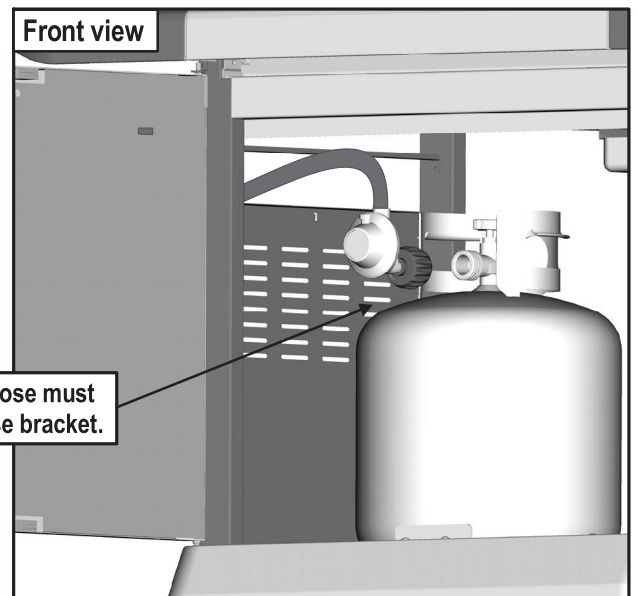
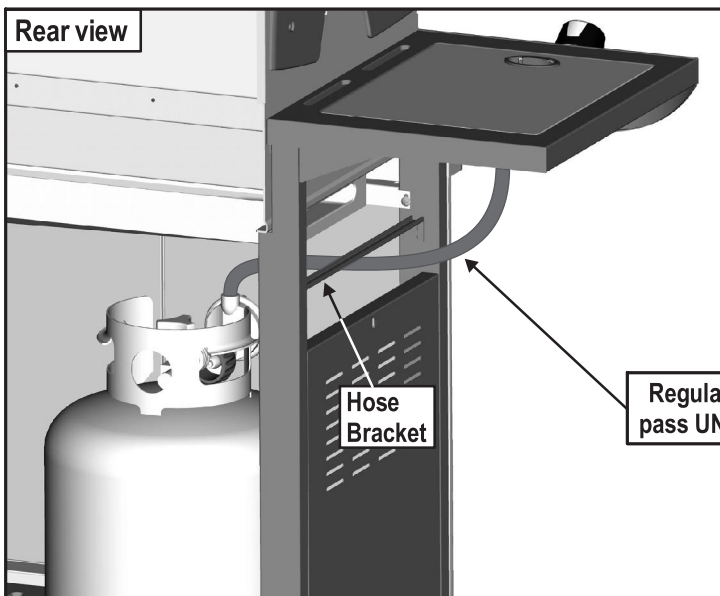


	<b>CAUTION</b>	
<p>Tank valve must face to front of cart once tank is attached. Failure to install tank correctly may allow gas hose to be damaged in operation, resulting in the risk of fire.</p>		

Always keep LP tanks in upright position during use, transit or storage.

# 16 VERY IMPORTANT!

Regulator and hose must pass **UNDER** hose bracket before connecting to LP tank. Read “Connecting Regulator to the LP Tank” in the Use and Care section of this manual.

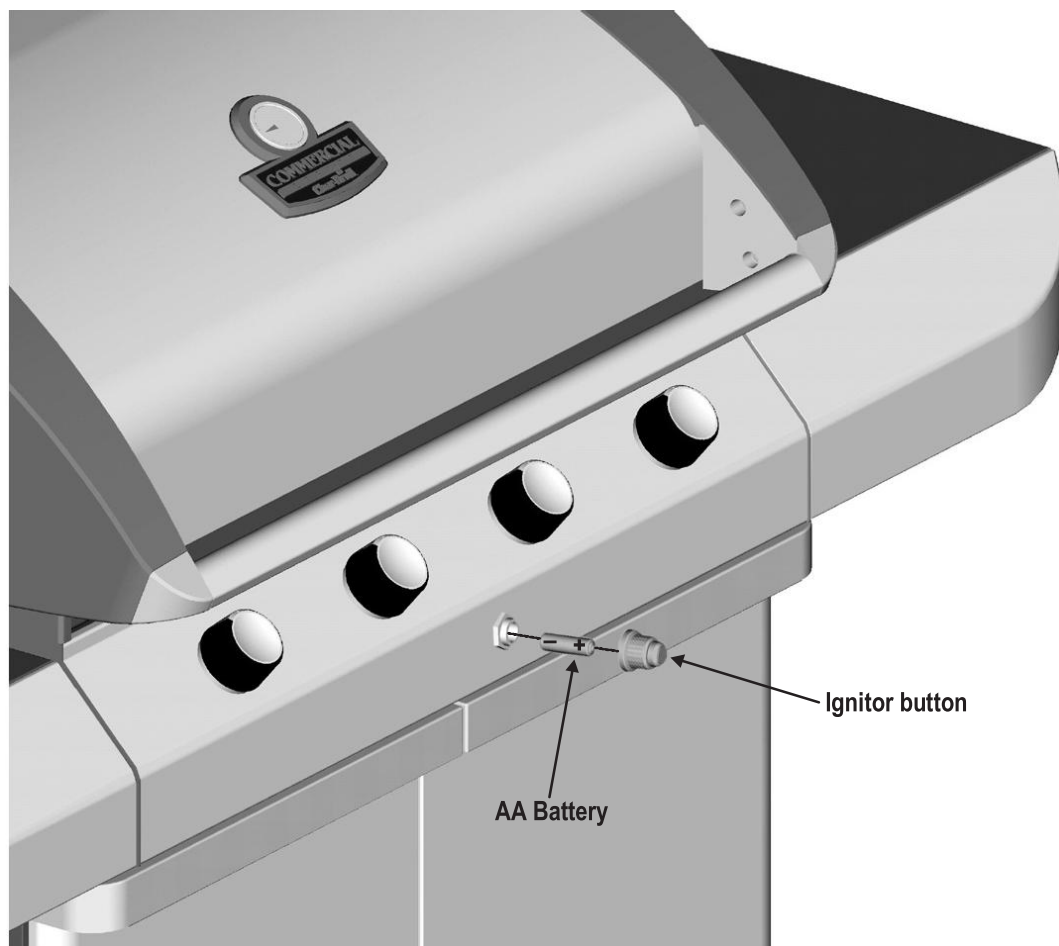


Regulator and hose must pass UNDER hose bracket.



**17**

Unscrew ignitor button and place AA battery into ignitor slot with positive end (+) facing outward. Screw ignitor button onto ignitor.



## USE AND CARE



# DANGER



- Never fill the cylinder beyond 80% full. An overfilled spare LP tank is hazardous due to possible gas released from the safety relief valve.
- The safety relief valve on the LP tank could activate, releasing gas, and cause an intense fire with risk of property damage, serious injury or death.
- NEVER store a spare LP tank under or near grill or in enclosed areas.

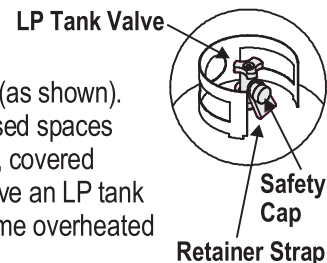


- If you see, smell or hear escaping gas, immediately get away from the LP tank/grill and call your fire department.
- All spare LP tanks must have safety caps installed on the LP tank outlet.

### LP Tank Removal, Transport And Storage

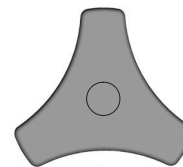
- Turn OFF all control knobs and LP tank valve. Turn coupling nut counterclockwise by hand only - do not use tools to disconnect. Loosen tank screw beneath bottom shelf, then lift LP tank up and out of cart. Install safety cap onto LP tank valve. Always use cap and strap supplied with valve. **Failure to use safety cap as directed may result in serious personal injury and/or property damage.**

- A disconnected LP tank in storage or being transported must have a safety cap installed (as shown). Do not store an LP tank in enclosed spaces such as a carport, garage, porch, covered patio or other building. Never leave an LP tank inside a vehicle which may become overheated by the sun.
- Do not store an LP tank in an area where children play.



### LP Tank

- The LP tank used with your grill must meet the following requirements:
  - Use LP tanks only with these required measurements: 12" (30.5cm) (diameter) x 18" (45.7 cm) (tall) with 20 lb. (9 kg.) capacity maximum.
  - LP tanks must be constructed and marked in accordance with specifications for LP tank of the U.S. Department of Transportation (DOT) or for Canada, CAN/CSA-B339, cylinders, spheres and tubes for transportation of dangerous goods, Transport Canada (TC). See LP tank collar for marking.
  - LP tank valve must have:
    - Type 1 outlet compatible with regulator or grill.
    - Safety relief valve.
    - UL listed Overfill Protection Device (OPD). This OPD safety feature is identified by a unique triangular hand wheel. **Use only LP tanks equipped with this type of valve.**
  - LP tank must be arranged for vapor withdrawal and include collar to protect LP tank valve. Always keep LP tanks in upright position during use, transit or storage.



OPD Hand Wheel

### LP (Liquefied Petroleum Gas)

- LP gas is nontoxic, odorless and colorless when produced. **For Your Safety**, LP gas has been given an odor (similar to rotten cabbage) so that it can be smelled.
- LP gas is highly flammable and may ignite unexpectedly when mixed with air.

### LP Tank Filling

- Use only licensed and experienced dealers.
- LP dealer **must purge new tank** before filling.
- Dealer should **NEVER** fill LP tank more than 80% of LP tank volume. Volume of propane in tank will vary by temperature.
- A frosty regulator indicates gas overfill. Immediately close LP tank valve and call local LP gas dealer for assistance.
- Do not release liquid propane (LP) gas into the atmosphere. This is a hazardous practice.
- To remove gas from LP tank, contact an LP dealer or call a local fire department for assistance. Check the telephone directory under "Gas Companies" for nearest certified LP dealers.

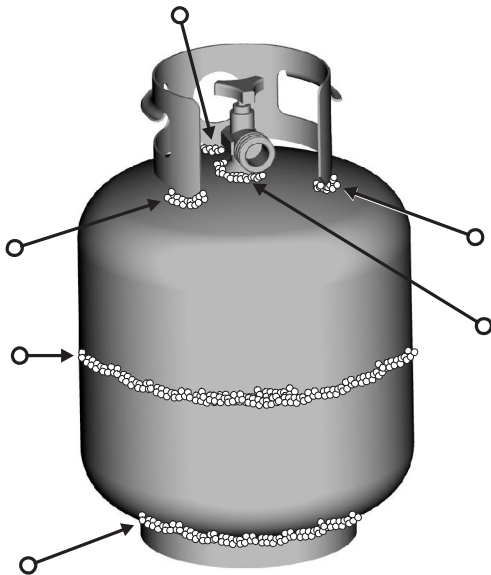
## LP Tank Exchange

- Many retailers that sell grills offer you the option of replacing your empty LP tank through an exchange service. Use only those reputable exchange companies that inspect, precision fill, test and certify their cylinders. **Exchange your tank only for an OPD safety feature-equipped tank as described in the "LP Tank" section of this manual.**
- Always keep new and exchanged LP tanks in upright position during use, transit or storage.
- **Leak test new and exchanged LP tanks BEFORE connecting to grill.**

## LP Tank Leak Test

### For your safety

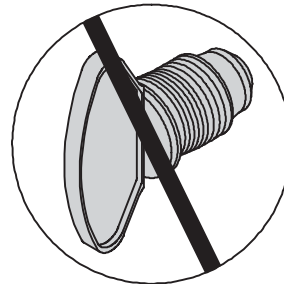
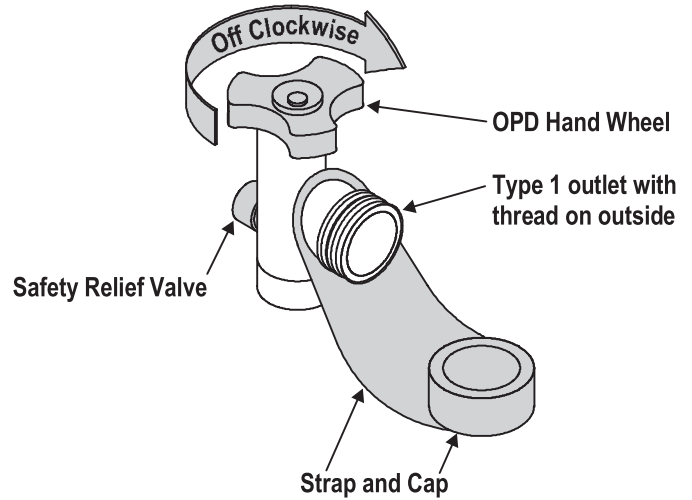
- Leak test must be repeated each time LP tank is exchanged or refilled.
  - Do not smoke during leak test.
  - Do not use an open flame to check for gas leaks.
  - Grill must be leak tested outdoors in a well-ventilated area, away from ignition sources such as gas fired or electrical appliances. During leak test, keep grill away from open flames or sparks.
  - Use a clean paintbrush and a 50/50 mild soap and water solution. Brush soapy solution onto areas indicated by arrows in figure below.
- ▲ **Do not use household cleaning agents.** Damage to gas train components can result.



	<b>WARNING</b>	
<p>If "growing" bubbles appear do not use or move the LP tank. Contact an LP gas supplier or your fire department!</p>		

## Connecting Regulator To The LP Tank

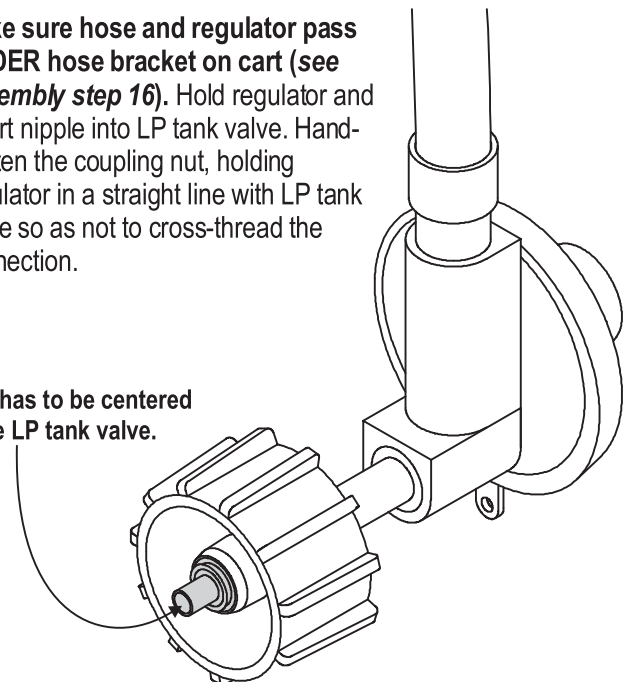
1. LP tank must be properly secured onto grill. (Refer to assembly section.)
2. Turn all control knobs, including sideburner, to the OFF position.
3. Turn LP tank OFF by turning hand-wheel clockwise to a **full stop**.
4. Remove the protective cap from LP tank valve. Always use cap and strap supplied with valve.



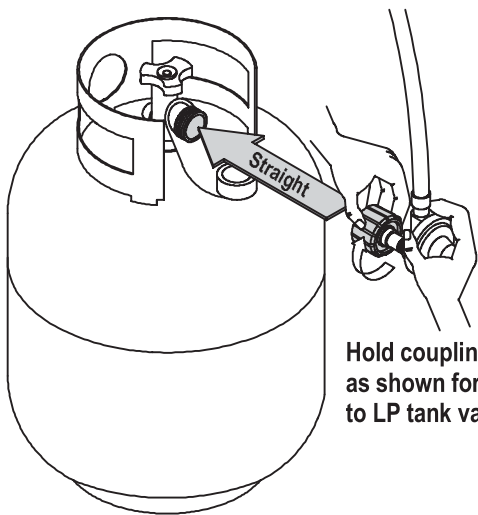
**Do not use a POL transport plug (plastic part with external threads)! It will defeat the safety feature of the valve.**

5. **Make sure hose and regulator pass UNDER hose bracket on cart (see assembly step 16).** Hold regulator and insert nipple into LP tank valve. Hand-tighten the coupling nut, holding regulator in a straight line with LP tank valve so as not to cross-thread the connection.

**Nipple has to be centered into the LP tank valve.**







Hold coupling nut and regulator as shown for proper connection to LP tank valve.

- Turn the coupling nut clockwise and tighten to a full stop. The regulator will seal on the back-check feature in the LP tank valve, resulting in some resistance. **An additional one-half to three-quarters turn is required to complete the connection. Tighten by hand only – do not use tools.**

**NOTE:**

If you cannot complete the connection, disconnect regulator and repeat steps 5 and 6. If you are still unable to complete the connection, **do not use this regulator!**

**DANGER**

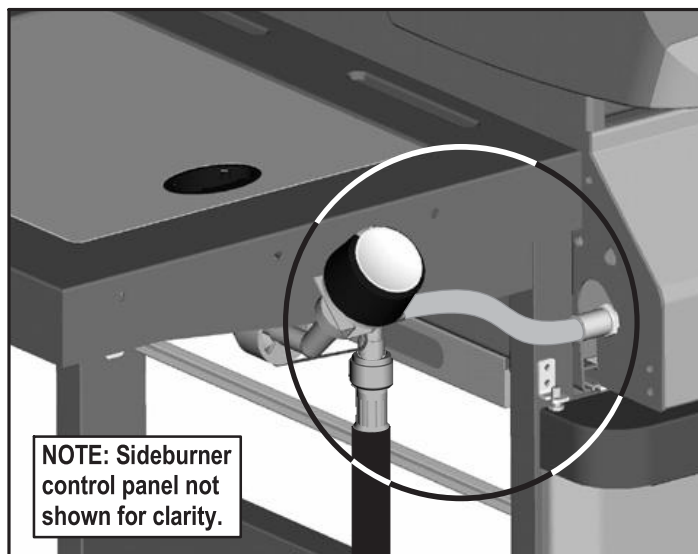
- Do not insert any tool or foreign object into the valve outlet or safety relief valve. You may damage the valve and cause a leak. Leaking propane may result in explosion, fire, severe personal injury, or death.

**WARNING**

- Never attempt to attach this grill to the self-contained LP gas system of a camper trailer or motor home.
- Do not use grill until leak-tested.
- If a leak is detected at any time, STOP and call the fire department.
- If you cannot stop a gas leak, *immediately* close LP tank valve and call LP gas supplier or your fire department!

**Leak Testing Valves, Hose and Regulator**

- Turn all grill control knobs to OFF.
- Be sure regulator is tightly connected to LP tank.
- Completely open LP tank valve by turning hand wheel counterclockwise. If you hear a *rushing sound*, turn gas off immediately. There is a major leak at the connection. **Correct before proceeding.**
- Brush soapy solution onto areas circled below.

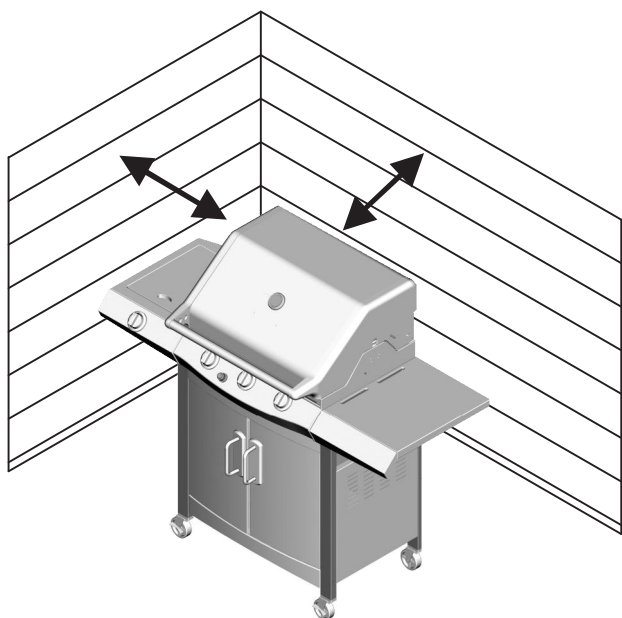


- If “growing” bubbles appear, there is a leak. Close LP tank valve immediately and retighten connections. **If leaks cannot be stopped do not try to repair.** Call for replacement parts. Order new parts by giving the serial, model number and name of items needed to the Grill Service Center at 1-800-241-7548 (U.S.) or 1-800-387-6057 (CANADA).
- Always close LP tank valve after performing leak test by turning hand wheel clockwise.

 **WARNING** 

**For Safe Use Of Your Grill And To Avoid Serious Injury:**

- Do not let children operate or play near grill.
- Keep grill area clear and free from materials that burn.
- Do not block holes in bottom or back of grill.
- Check burner flames regularly.
- Use grill only in well-ventilated space. NEVER use in enclosed space such as carport, garage, porch, covered patio, or under an overhead structure of any kind.
- Do not use charcoal or ceramic briquets in a gas grill. (Unless briquets are supplied with your grill.)
- **Use grill at least 3 ft. from any wall or surface.** Maintain 10 ft. clearance to objects that can catch fire or sources of ignition such as pilot lights on water heaters, live electrical appliances, etc..



**Apartment Dwellers:**

Check with management to learn the requirements and fire codes for using an LP gas grill in your apartment complex. If allowed, use outside on the ground floor with a three (3) foot clearance from walls or rails. Do not use on or under balconies.

- **NEVER attempt to light burner with lid closed. A buildup of non-ignited gas inside a closed grill is hazardous.**
- **Never operate grill with LP tank out of correct position specified in assembly instructions.**
- **Always close LP tank valve and remove coupling nut before moving LP tank from specified operation position.**

**Safety Tips**

- ▲ Before opening LP tank valve, check the coupling nut for tightness.
- ▲ When grill is not in use, turn off all control knobs and LP tank valve.
- ▲ Never move grill while in operation or still hot.
- ▲ Use long-handled barbecue utensils and oven mitts to avoid burns and splatters.
- ▲ Maximum load for sideburner and side shelf is 10 lbs.
- ▲ The grease pan **must** be attached to grease tray and emptied after each use. Do not remove grease pan until grill has completely cooled.
- ▲ If you notice grease or other hot material dripping from grill onto valve, hose or regulator, turn off gas supply at once. Determine the cause, correct it, then clean and inspect valve, hose and regulator before continuing. Perform a leak test.
- ▲ Keep ventilation openings in cylinder enclosure (grill cart) free and clear of debris.
- ▲ The regulator may make a humming or whistling noise during operation. This will not affect safety or use of grill.
- ▲ If you have a grill problem see the "Troubleshooting Section".
- ▲ If the regulator frosts, turn off grill and LP tank valve immediately. This indicates a problem with the tank and it should not be used on any product. Return to supplier!

 **CAUTION** 

- **Putting out grease fires by closing the lid is not possible. Grills are well ventilated for safety reasons.**
- **Do not use water on a grease fire. Personal injury may result. If a grease fire develops, turn knobs and LP tank off.**
- **Do not leave grill unattended while preheating or burning off food residue on HI. If grill has not been regularly cleaned, a grease fire can occur that may damage the product.**

**Ignitor Lighting**

- ▲ **Do not lean over grill while lighting.**
- 1. **Open lid.** Turn on gas at LP tank.
- 2. To ignite, turn left or right center knob to HI, push and hold ELECTRONIC IGNITOR button.
- 3. If ignition does NOT occur in 5 seconds, turn the burner controls OFF, wait 5 minutes and repeat the lighting procedure.
- 4. To ignite other burners, turn knob to HI adjacent to a lit burner.

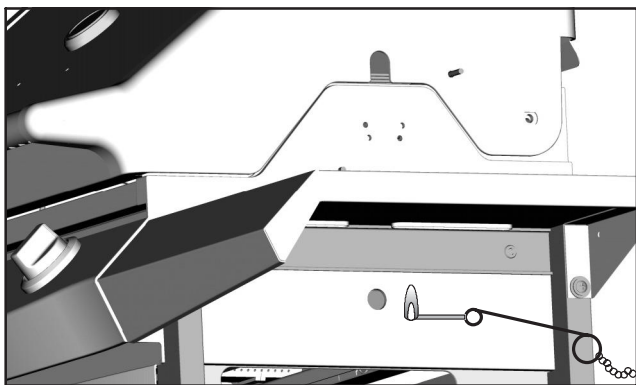
**Lighting instructions continued on next page.**

	<h1>CAUTION</h1>	
<p>If ignition does NOT occur in 5 seconds, turn the burner controls OFF, wait 5 minutes and repeat the lighting procedure. If the burner does not ignite with the valve open, gas will continue to flow out of the burner and could accidentally ignite with risk of injury.</p>		

### Match-Lighting

#### ▲ Do not lean over grill while lighting.

1. **Open lid.** Turn on gas at LP tank.
2. Place lit match into match lighting stick (hanging from cart side panel), then into lighting hole on right or left side of grill.
3. Push in and turn far right or left burner knob to HI. Be sure burner lights and stays lit.
4. Light adjacent burners in sequence by pushing knobs in and turning to HI.



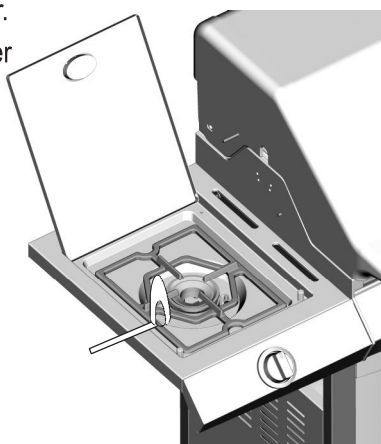
### Ignitor Lighting The Sideburner

#### ▲ Do not lean over grill while lighting.

1. To ignite sideburner, open sideburner cover.
2. Turn sideburner knob to HI, push and hold ELECTRONIC IGNITOR button.
3. If ignition does NOT occur in 5 seconds, turn the burner controls OFF, wait 5 minutes then repeat the lighting procedure.

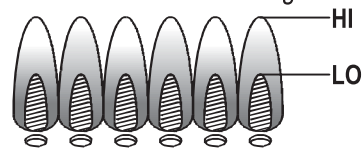
### Match Lighting

1. To match light sideburner, open sideburner cover.
2. Place lit match near burner.
3. Push in and turn sideburner knob counterclockwise. Be sure burner lights and stays lit.



### Burner Flame Check

- Remove cooking grates. Light burner, rotate knobs from HI to LOW. You should see a smaller flame in LO position than seen on HI. Always check flame prior to each use. Perform flame check on sideburner. If only low flame is seen refer to "Sudden drop or low flame" in the *Troubleshooting Section*.



### Turning Grill Off

- Turn all knobs to **OFF** position. Turn LP tank off by turning hand-wheel clockwise to a full stop.

### Ignitor Check

- **Turn gas off at LP tank.** Press and hold electronic ignitor button. "Click" should be heard and spark seen each time between collector box or burner and electrodes. See "*Troubleshooting*" if no click or spark.

### Valve Check

- **Important: Make sure gas is off at LP tank before checking valves.** Knobs lock in **OFF** position. To check valves, first push in knobs and release, knobs should spring back. If knobs do not spring back, replace valve assembly before using grill. Turn knobs to **LO** position then turn back to **OFF** position. Valves should turn smoothly.

### Hose Check

- Before each use, check to see if hoses are cut or worn. Replace damaged hoses before using grill. Use only valve/hose/regulator specified by manufacturer.

### General Grill Cleaning

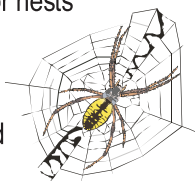
- Do not mistake brown or black accumulation of grease and smoke for paint. Interiors of gas grills are not painted at the factory (**and should never be painted**). Apply a strong solution of detergent and water or use a grill cleaner with scrub brush on insides of grill lid and bottom. Rinse and allow to completely air dry. **Do not apply a caustic grill/oven cleaner to painted surfaces.**
- **Plastic parts:** Wash with warm soapy water and wipe dry.
  - ▲ Do not use citrisol, abrasive cleaners, degreasers or a concentrated grill cleaner on plastic parts. Damage to and failure of parts can result.
- **Porcelain surfaces:** Because of glass-like composition, most residue can be wiped away with baking soda/water solution or specially formulated cleaner. Use nonabrasive scouring powder for stubborn stains.
- **Painted surfaces:** Wash with mild detergent or nonabrasive cleaner and warm soapy water. Wipe dry with a soft nonabrasive cloth.
- **Stainless steel surfaces:** To maintain your grill's high quality appearance, wash with mild detergent and warm soapy water and wipe dry with a soft cloth after each use. Baked-on grease deposits may require the use of an abrasive plastic cleaning pad. Use only in direction of brushed finish to avoid damage. Do not use abrasive pad on areas with graphics.



**CAUTION**

**NATURAL HAZARD • SPIDERS**

**FACT:** Sometimes spiders and other small insects climb into the burner tubes attached to the burners. The spiders spin webs, build nests and lay eggs. The webs or nests can be very small, but they are very strong and can block the flow of gas. Clean burners prior to use after storing, at the beginning of grilling season or after a period of one month not being used.



Spider guards are on the air intakes in an effort to reduce this problem, but it will not eliminate it! An obstruction can result in a "flashback" (a fire in the burner tubes). The grill may still light, but the obstruction does not allow full gas flow to the burners.

**IF YOU EXPERIENCE THE FOLLOWING:**

1. Smell gas.
2. Burner(s) will not light.
3. A small yellow flame from burner (should be blue).
4. Fire coming from around or behind control knob.

**STOP!**

**Immediately turn off gas at LP tank!**

**SOLUTION:**

**Wait for grill to cool.**

Follow the "Cleaning The Burner Assembly" instructions. Clean burners often. Use a 12" pipe cleaner to clean out the burner tubes. You may also force a stream of water from a hose nozzle through burner tubes to clean them.

**Cleaning The Burner Assembly**

Follow these instructions to clean and/or replace parts of burner assembly or if you have trouble igniting grill.

1. **Turn gas off at control knobs and LP tank.**
2. Remove cooking grates, grease tray and grease pan.
3. Remove cotter pins from beneath each burner "foot" using a screwdriver or needle nose pliers.
4. Carefully lift each burner up and away from valve openings.

We suggest three ways to clean the burner tubes. Use the one easiest for you.

**(A)** Bend a stiff wire (a light weight coat hanger works well) into a small hook. Run the hook through each burner tube and burner several times.



**(B)** Use a narrow bottle brush with a flexible handle (do not use a brass wire brush), run the brush through each burner tube and burner several times.

**(C) Wear eye protection:** Use an air hose to force air into the burner tube and out the burner ports. Check each port to make sure air comes out each hole.

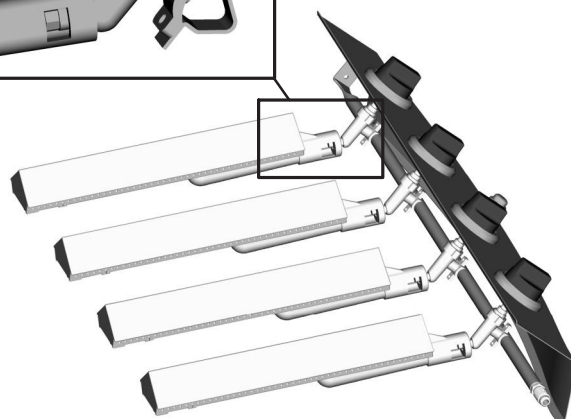
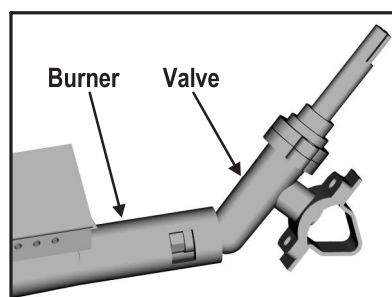
5. Wire brush entire outer surface of burner to remove food residue and dirt.
6. Clean any blocked ports with a stiff wire such as an open paper clip.
7. Check burner for damage, due to normal wear and corrosion some holes may become enlarged. If any large cracks or holes are found replace burner.

**VERY IMPORTANT: Burner tubes must reengage valve openings. See illustrations below.**

8. Carefully replace burners.
9. Replace cotter pin beneath each burner.
10. Replace grease tray, grease pan, and cooking grates.

**Storing Your Grill**

- Clean cooking grates.
- Store in dry location.
- When LP tank is connected to grill, store outdoors in a well-ventilated space and out of reach of children.
- Cover grill if stored outdoors. Choose from a variety of grill covers offered by manufacturer.
- Store grill indoors **ONLY** if LP tank is turned off and disconnected, removed from grill and stored outdoors.
- When removing grill from storage, follow "Cleaning the Burner Assembly" instructions before starting grill.

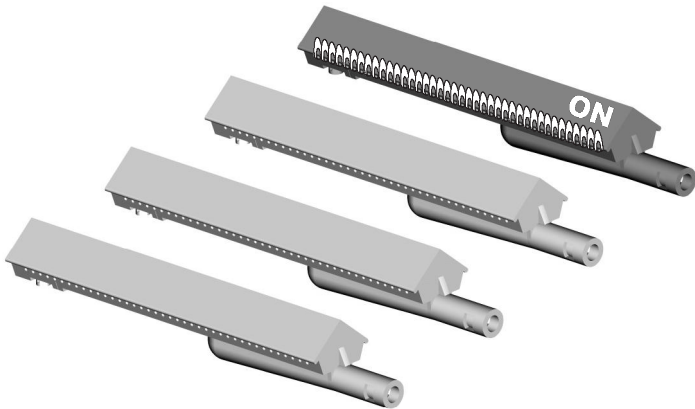


## Indirect Cooking

Poultry and large cuts of meat cook slowly to perfection on the grill by indirect heat. The heat from selected burners circulates gently throughout the grill, cooking meat or poultry without the touch of a direct flame. This method greatly reduces flare-ups when cooking extra fatty cuts because there is no direct flame to ignite the fats and juices that drip during cooking.

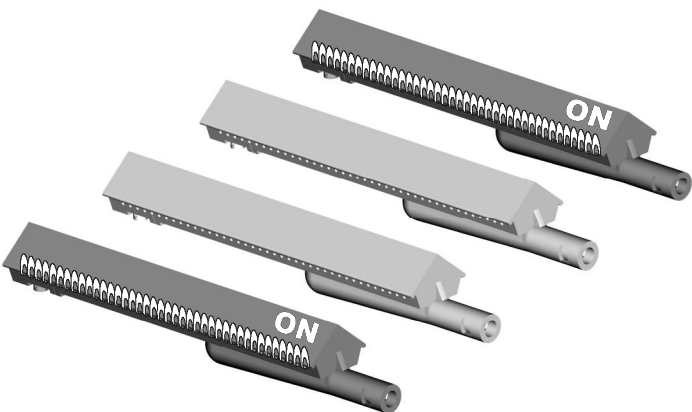
### Indirect Cooking Instructions

- Always cook with the lid closed.
- Due to weather conditions, cooking times may vary. During cold and windy conditions the temperature setting may need to be increased to insure sufficient cooking temperatures.



### 1 Burner Cooking

Cook with direct or indirect heat.  
Best for smaller meals or foods.  
Consumes less fuel.



### 2 Burner Cooking

Great indirect cooking on low.  
Produces slow, even heating.  
Ideal for slow roasting and baking.

## Food Safety

Food safety is a very important part of enjoying the outdoor cooking experience. To keep food safe from harmful bacteria, follow these four basic steps:

**Clean:** Wash hands, utensils, and surfaces with hot soapy water before and after handling raw meat and poultry.

**Separate:** Separate raw meats and poultry from ready-to-eat foods to avoid cross contamination. Use a clean platter and utensils when removing cooked foods.


**Cook:** Cook meat and poultry thoroughly to kill bacteria. Use a thermometer to ensure proper internal food temperatures.

**Chill:** Refrigerate prepared foods and leftovers promptly.


**For more information call: USDA Meat and Poultry Hotline at 1-800-535-4555 In Washington, DC (202) 720-3333, 10:00 am-4:00 pm EST.**

### How To Tell If Meat Is Grilled Thoroughly


- Meat and poultry cooked on a grill often browns very fast on the outside. Use a meat thermometer to be sure food has reached a safe internal temperature, and cut into food to check for visual signs of doneness.
- Whole poultry should reach 180° F; breasts, 170° F. Juices should run clear and flesh should not be pink.
- Hamburgers made of any ground meat or poultry should reach 160° F, and be brown in the middle with no pink juices. Beef, veal and lamb steaks, roasts and chops can be cooked to 145° F. All cuts of pork should reach 160° F.
- NEVER partially grill meat or poultry and finish cooking later. Cook food completely to destroy harmful bacteria.
- When reheating takeout foods or fully cooked meats like hot dogs, grill to 165° F, or until steaming hot.



## CAUTION



Using pots larger than 6 quarts in capacity could exceed weight limit of the sideburner shelf, resulting in failure of grill cart components.



## Troubleshooting

Emergencies	Possible Cause	Prevention/Solution
<p>Gas leaking from cracked/cut/burned hose.</p> <p>Gas leaking from LP tank.</p> <p>Gas leaking from LP tank valve.</p> <p>Gas leaking between LP tank and regulator connection.</p> <p>Fire coming through control panel.</p>	<ul style="list-style-type: none"> <li>• Old hose, cut in hose.</li> <li>• Mechanical failure due to rusting or mishandling.</li> <li>• Failure of tank valve from mishandling or mechanical failure.</li> <li>• Improper installation, connection not tight, failure of rubber seal.</li> <li>• Fire in burner tube section of burner due to partial blockage.</li> <li>• Misalignment of valve to burner tube.</li> </ul>	<ul style="list-style-type: none"> <li>• Turn off gas at LP tank or at source on natural gas systems. If anything but burned, replace valve/hose/regulator. If burned, discontinue use of product until a gas service technician/plumber has investigated cause and correction to be made.</li> <li>• Turn off LP tank valve.</li> <li>• Call LP gas dealer 800-number on tank label or call local fire department.</li> <li>• Remove regulator from tank and visually inspect rubber seal for damage. Reinstall and check for leaks. Ensure black knob is on tight.</li> <li>• Turn off LP tank valve (if possible without injury to self). If fire cannot be controlled with baking soda/extinguisher, call local fire department. Remove burner and inspect for spider nest or rust. Clean using bottle brush.</li> <li>• Ensure valves and burner tubes are aligned per assembly instructions.</li> </ul>
<p>Grease fire or continuous excessive flames above cooking surface.</p>	<ul style="list-style-type: none"> <li>• Too much grease buildup in burner area.</li> </ul>	<ul style="list-style-type: none"> <li>• Turn off LP tank valve. Leave lid open to allow flames to die down. After cooling, clean food particles and excess grease from inside firebox area, grease cup/pan/tray, and other surfaces.</li> </ul>
Problem	Possible Cause	Prevention/Solution
<p>Burner(s) will not light using ignitor. (See Electronic Ignition Troubleshooting also)</p> <p><i>Continued on next page.</i></p>	<p><b>GAS ISSUES:</b></p> <ul style="list-style-type: none"> <li>• Trying to light wrong burner.</li> <li>• Burner not engaged with control valve.</li> <li>• Obstruction in burner.</li> <li>• No gas flow.</li> <li>• Vapor lock at coupling nut to LP tank.</li> <li>• Coupling nut and LP tank valve not fully connected.</li> </ul> <p><b>ELECTRICAL ISSUES:</b></p> <ul style="list-style-type: none"> <li>• Electrode cracked or broken; “sparks at crack.”</li> <li>• Electrode tip not in proper position.</li> <li>• Wire and/or electrode covered with cooking residue.</li> <li>• Wires are loose or disconnected.</li> <li>• Wires are shorting (sparking) between ignitor and electrode.</li> <li>• Dead battery.</li> </ul>	<ul style="list-style-type: none"> <li>• See instructions on control panel and in Use and Care manual.</li> <li>• Make sure valves are positioned inside of burner tubes with clips attached.</li> <li>• Ensure burner tubes are not obstructed with spider webs or other matter. See cleaning section of Use and Care manual.</li> <li>• Make sure LP tank is not empty. If LP tank is not empty, refer to “Sudden drop in gas flow.”</li> <li>• Turn off knobs and disconnect coupling nut from LP tank. Reconnect and retry.</li> <li>• Turn the coupling nut approximately one-half to three-quarters additional turn until solid stop. Tighten by hand only - do not use tools.</li> <li>• Replace electrode(s).</li> </ul> <p>Main Burners:</p> <ul style="list-style-type: none"> <li>• Tip of electrode should be pointing toward tip of collector box. The distance should be 1/8” to 1/4”. Adjust if necessary.</li> </ul> <p>Sideburner:</p> <ul style="list-style-type: none"> <li>• Tip of electrode should be pointing toward gas port opening on burner. the distance should be 1/8” to 3/16”. Adjust if necessary.</li> <li>• Clean wire and/or electrode with rubbing alcohol and clean swab.</li> <li>• Reconnect wires or replace electrode/wire assembly.</li> <li>• Replace ignitor wire/electrode assembly.</li> <li>• Replace with a new AA-size alkaline battery.</li> </ul>

## Troubleshooting (*continued*)

Problem	Possible Cause	Prevention/Solution
Burner(s) will not light using ignitor. (See Electronic Ignition Troubleshooting also)	<p><b>ELECTRONIC IGNITION:</b></p> <ul style="list-style-type: none"> <li>• No spark, no ignition noise.</li> <li>• No spark, some ignition noise.</li> <li>• Sparks, but not at electrode or at full strength.</li> </ul> <p><b>PIEZO PUSH-BUTTON AND ROTARY:</b></p> <ul style="list-style-type: none"> <li>• Push-button sticks at bottom.</li> <li>• Rotary knob rotates without clicking.</li> <li>• Sparking between ignitor and electrode.</li> </ul>	<ul style="list-style-type: none"> <li>• See Section I of Electronic Ignition System.</li> <li>• See Section II of Electronic Ignition System.</li> <li>• See Section III of Electronic Ignition System.</li> <li>• Replace ignitor.</li> <li>• Replace knob.</li> <li>• Inspect wire insulation and proper connection. Replace wires if insulation is broken.</li> </ul>
Burner(s) will not match light.	<ul style="list-style-type: none"> <li>• See “<b>GAS ISSUES:</b>” on previous page.</li> <li>• Match will not reach.</li> <li>• Improper method of match-lighting.</li> </ul>	<ul style="list-style-type: none"> <li>• Use long-stem match (fireplace match).</li> <li>• See “Match-Lighting” section of Use and Care manual.</li> </ul>
Sudden drop in gas flow or low flame.	<ul style="list-style-type: none"> <li>• Out of gas.</li> <li>• Excess flow valve tripped.</li> <li>• Vapor lock at coupling nut/LP tank connection.</li> </ul>	<ul style="list-style-type: none"> <li>• Check for gas in LP tank.</li> <li>• Turn off knobs, wait 30 seconds and light grill. If flames are still low, turn off knobs and LP tank valve. Disconnect regulator. Reconnect regulator and leak-test. Turn on LP tank valve, wait 30 seconds and then light grill.</li> <li>• Turn off knobs and LP tank valve. Disconnect coupling nut from tank. Reconnect and retry.</li> </ul>
Flames blow out.	<ul style="list-style-type: none"> <li>• High or gusting winds.</li> <li>• Low on LP gas.</li> <li>• Excess flow valve tripped.</li> </ul>	<ul style="list-style-type: none"> <li>• Turn front of grill to face wind or increase flame height.</li> <li>• Refill LP tank.</li> <li>• Refer to “Sudden drop in gas flow” above.</li> </ul>
Flare-up.	<ul style="list-style-type: none"> <li>• Grease buildup.</li> <li>• Excessive fat in meat.</li> <li>• Excessive cooking temperature.</li> </ul>	<ul style="list-style-type: none"> <li>• Clean burners and inside of grill/firebox.</li> <li>• Trim fat from meat before grilling.</li> <li>• Adjust (lower) temperature accordingly.</li> </ul>
Persistent grease fire.	<ul style="list-style-type: none"> <li>• Grease trapped by food buildup around burner system.</li> </ul>	<ul style="list-style-type: none"> <li>• Turn knobs to OFF. Turn gas off at LP tank. Leave lid in position and let fire burn out. After grill cools, remove and clean all parts.</li> </ul>
Flashback... (fire in burner tube(s)).	<ul style="list-style-type: none"> <li>• Burner and/or burner tubes are blocked.</li> </ul>	<ul style="list-style-type: none"> <li>• Turn knobs to OFF. Clean burner and/or burner tubes. See burner cleaning section of Use and Care manual.</li> </ul>
Unable to fill LP tank.	<ul style="list-style-type: none"> <li>• Some dealers have older fill nozzles with worn threads.</li> </ul>	<ul style="list-style-type: none"> <li>• The worn nozzles don’t have enough “bite” to engage the valve. Try a second LP dealer.</li> </ul>
One burner does not light from other burner(s).	<ul style="list-style-type: none"> <li>• Grease buildup or food particles in end(s) of carryover tube(s).</li> </ul>	<ul style="list-style-type: none"> <li>• Clean carry-over tube(s) with wire brush.</li> </ul>



## Troubleshooting - Electronic Ignition

Problem (Ignition)	Possible Cause	Check Procedure	Prevention/Solution
<b>SECTION I</b> No sparks appear at any electrodes when ignition button is pushed; no noise can be heard from spark module.	<ul style="list-style-type: none"> <li>Battery not installed properly.</li> <li>Dead battery.</li> <li>Button assembly not installed properly.</li> <li>Faulty spark module.</li> </ul>	<ul style="list-style-type: none"> <li>Check battery orientation.</li> <li>Has battery been used previously?</li> <li>Check to insure threads are properly engaged. Button should travel up and down without binding.</li> <li>If no sparks are generated with new battery and good wire connections, module is faulty.</li> </ul>	<ul style="list-style-type: none"> <li>Install battery (make sure that "+" and "-" connectors are oriented correctly, with "+" end up and "-" end down.)</li> <li>Replace battery with new AA-size alkaline battery.</li> <li>Unscrew button cap assembly and reinstall, making sure threads are aligned and engaged fully.</li> <li>Replace spark module assembly.</li> </ul>
<b>SECTION II</b> No sparks appear at any electrodes when ignition switch is pushed; noise can be heard from spark module.	<ul style="list-style-type: none"> <li>Output lead connections not connected.</li> </ul>	<ul style="list-style-type: none"> <li>Are output connections on and tight?</li> </ul>	<ul style="list-style-type: none"> <li>Remove and reconnect all output connections at module and electrodes.</li> </ul>
<b>SECTION III</b> Sparks are present but not at all electrodes and/or not at full strength	<ul style="list-style-type: none"> <li>Output lead connections not connected.</li> <li>Arcing to grill away from burner(s).</li> <li>Weak battery.</li> <li>Electrodes are wet.</li> <li>Electrodes cracked or broken "sparks at crack".</li> </ul>	<ul style="list-style-type: none"> <li>Are output connections on and tight?</li> <li>If possible, observe grill in dark location. Operate ignition system and look for arcing between output wires and grill frame.</li> <li>All sparks present but weak or at slow rate.</li> <li>Has moisture accumulated on electrode and/or in burner ports?</li> <li>Inspect electrodes for cracks.</li> </ul>	<ul style="list-style-type: none"> <li>Remove and reconnect all output connections at module and electrodes.</li> <li>If sparks are observed other than from burner(s), wire insulation may be damaged. Replace wires.</li> <li>Replace battery with a new AA-size alkaline battery.</li> <li>Use paper towel to remove moisture.</li> <li>Replace cracked or broken electrodes.</li> </ul>

# Please register your grill online at:

# WWW.GRILLREGISTRATION.COM

(If you register online, you do not need to send in this registration card.)

PLEASE FILL OUT THIS CARD AND RETURN IT *WITHIN 10 DAYS OF PURCHASE. FAILURE TO RETURN MAY AFFECT YOUR WARRANTY COVERAGE.*  
LLENE ESTA TARJETA Y DEVUÉLVALA DENTRO DE LOS 10 DÍAS DE LA COMPRA. *SI NO LA DEVUELVE, PUEDE VERSE AFECTADA SU COBERTURA DE GARANTÍA.*  
VEUILLEZ COMPLÉTER CETTE CARTE ET LA RETOURNER DANS LES 10 JOURS SUIVANT L'ACHAT.  
LA COUVERTURE DE VOTRE GARANTIE POURRAIT EN ÊTRE AFFECTÉE SI VOUS NE LE FAITES PAS.

**1** First Name/Nombre/Prénom \_\_\_\_\_ Initial/Inicial/Initiale \_\_\_\_\_ Last Name/Apellido/Nom de famille \_\_\_\_\_  
Address (number and street)/Dirección (número y calle)/Adresse (numéro et rue) \_\_\_\_\_ Apt Number/Nº de apart./Nº d'app. \_\_\_\_\_  
City/Ciudad/Ville \_\_\_\_\_ State/Estado/Province \_\_\_\_\_ Zip Code/Código zip/Code postal \_\_\_\_\_

**2** E-mail Address/Dirección de correo electrónico/Adresse électronique

If you voluntarily provide us with your email address, you give us permission to use your email address to send you offers that may interest you.  
Si nos informa voluntariamente su dirección de correo electrónico, nos da permiso para usarlo a fin de enviarle ofertas que pueden interesarle.  
Si vous choisissez de nous fournir votre adresse électronique, vous nous donnez la permission de l'utiliser pour vous faire part d'offres spéciales susceptibles de vous intéresser.

\_\_\_\_\_  
(Example: your name@your host.com) (Ejemplo: su nombre@su host.com) (Exemple : votre nom@votre hôte.com)

**3** Phone Number/Número telefónico/Numéro de téléphone

\_\_\_\_\_-\_\_\_\_\_-\_\_\_\_\_-\_\_\_\_\_-\_\_\_\_\_

**6** Date of Purchase/Fecha de compra/Date de l'achat

\_\_\_\_/\_\_\_\_/\_\_\_\_

**4** **IMPORTANT! ¡IMPORTANTE! IMPORTANT!**

Write Serial Number and Model Number in spaces below.  
Escriba en los espacios de abajo el número de serie y el número de modelo.  
Inscrivez le numéro de série et le numéro de modèle dans les espaces ci-dessous.

**7** Store Name/Nombre de la tienda/Nom du magasin

\_\_\_\_\_-\_\_\_\_\_-\_\_\_\_\_-\_\_\_\_\_-\_\_\_\_\_-\_\_\_\_\_-\_\_\_\_\_-\_\_\_\_\_-\_\_\_\_\_-\_\_\_\_\_

**8** Purchase Price/Precio de compra/Prix d'achat

\$ \_\_\_\_\_ .00

**5** Your Gender/Su sexo/Sexe:

1.  Male/Masculino/Masculin

2.  Female/Femenino/Féminin

**9** Which product are your registering?

¿Qué producto está registrando?  
Quel produit enregistrez-vous?

1.  Gas Grill/Parrilla de gas/Gril au gaz  
2.  Electric Grill/Parrilla eléctrica/Gril électrique  
3.  Smoker/Ahumadora/Fumoir  
4.  Charcoal Grill/Parrilla de carbón/Barbecue au charbon  
5.  Charcoal Smoker/Ahumadora de carbón/Fumoir au charbon  
6.  Outdoor Fireplace/Hogar para exteriores/Foyer extérieur  
7.  Cooker/Fryer / Cocina/freidora / Cuisseur/Friteuse  
8.  Other/Otro/Autre

**10** Which of these sources influenced your decision to buy this product? (check all that apply)

¿Cuál de estas fuentes influyó a su decisión de comprar este producto? (Marque todas las que correspondan)

Parmi les éléments ci-dessous, qu'est-ce qui a influencé votre décision d'acheter ce produit? (Cochez tous les éléments s'appliquant)

1.  Magazine/newspaper advertisement / Propaganda en revista/periódico / Publicité dans un magazine ou dans un journal  
2.  Television commercial/Comercial televisivo/Publicité à la télévision  
3.  Grill was assembled/Parrilla ensamblada/Le gril était déjà assemblé  
4.  In-store display/Exhibidor en la tienda/Promotion sur le lieu de vente  
5.  Store circular/Circular de la tienda/Prospectus de magasin  
6.  Brand name/Marca/ Marque  
7.  Product style/Estilo del producto/Style du produit  
8.  Price/value / Precio/valor / Rapport prix/valeur  
9.  Product quality/Calidad del producto/Qualité du produit  
10.  Friend/Relative recommendation / Recomendación de amigo o pariente / Recommandation d'un(e) ami(e)/parent(e)  
11.  Salesperson recommendation/Recomendación del vendedor/ Recommandation d'un(e) préposé(e) à la vente  
12.  Grill size/Tamaño de la parrilla/Taille du gril  
13.  Product warranty/Garantía del producto/Garantie du produit  
14.  Store demonstration/Demostración en la tienda/Démonstration en magasin  
15.  Point of purchase/Punto de compra/Lieu de vente  
16.  Other/Otras/Autre: \_\_\_\_\_

**Mail to:**

**Product Registration Dept.**  
**PO BOX 1240**  
**Columbus, Georgia 31902-1240**

Thank you for completing this questionnaire. Your answers will help us and other companies reach you with offers that may interest you. If you prefer not to receive these offers, please check here .

Gracias por completar este cuestionario. Sus respuestas nos ayudarán, a nosotros y a otras compañías, a llegar a ustedes con ofertas que puedan resultarles de interés. Si prefiere no recibir estas ofertas, por favor marque aquí .

Merci d'avoir bien voulu remplir ce questionnaire. Vos réponses nous aideront et aideront d'autres compagnies à vous communiquer des offres spéciales susceptibles de vous intéresser. Si vous préférez ne pas recevoir d'informations concernant ces offres spéciales, veuillez cocher ici .









A Division of W.C. Bradley Co. • Columbus, GA 31902 • Printed in China